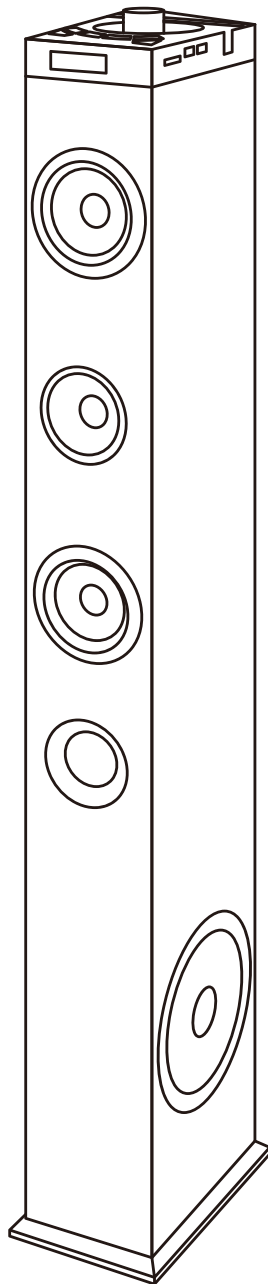


User Manual

Jager Speaker Tower



Please read carefully this manual before operating the device. Keep it for future reference.

Dear Customer:

Thank you for purchasing our pairing Tower Speaker Jager before using this device, please read the user manual carefully in order to operate it normally.

Safety instructions

Read this User Manual before you attempt to connect or operate the device. Save this User Manual for future reference. The device should not be exposed to dripping or splashing and no objects filled with liquids should be placed on the product. Use the device in a dry location only. No naked flame source, such as candles, should be placed on the product. Only use the original accessories or the ones specified by the manufacturer. Install the unit in accordance with the manufacturer's instructions.

Place the unit where there is good ventilation.

Place the device on a flat, hard and stable surface. Do not expose it to temperatures above 40°C. Allow at least 10 cm clearance from the rear and the top of the unit and 5 cm from each side. Press the player's buttons gently. Pressing them too hard can damage the device.

Dispose of the used batteries in an environmental-responsible manner. Always ensure that the product is unplugged from the electrical outlet before moving or cleaning it. Clean it with dry cloth only.

Turn off the product during lightning, storms or when it will not be used for long periods of time.

This product has no user-serviceable parts.

Do not attempt to repair this product yourself. Only qualified service personnel should perform servicing.

Do not place the unit near TVs, speakers and other objects that generate strong magnetic fields.

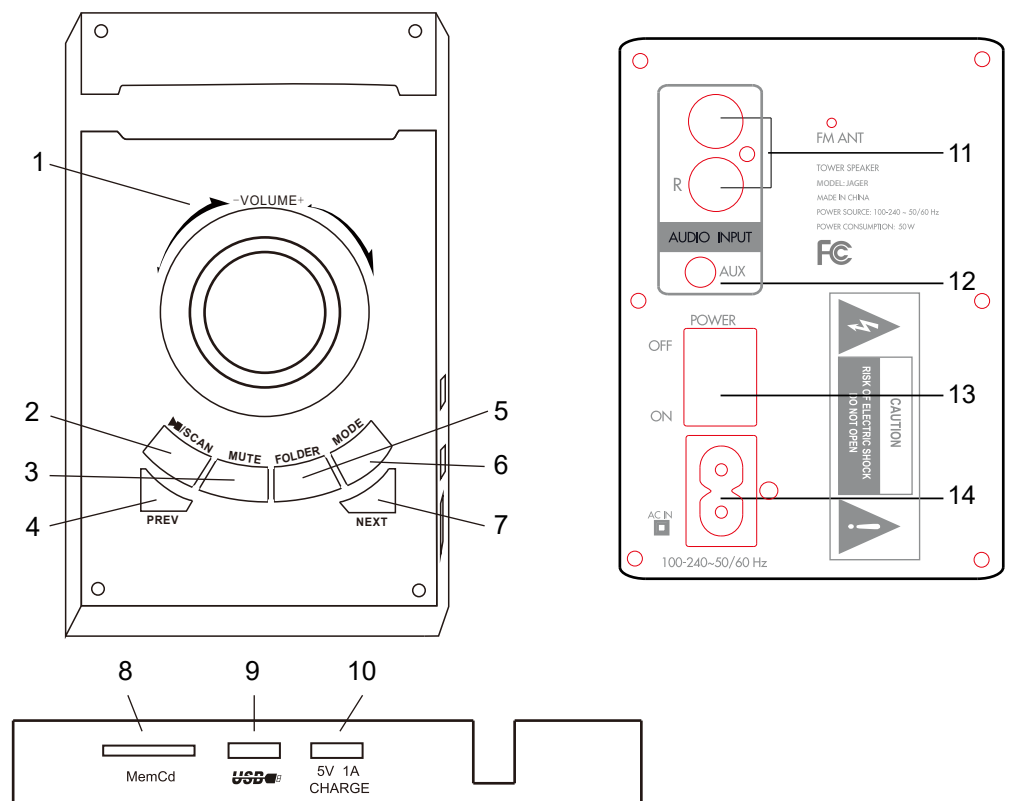
Do not leave the unit unattended when it is in use.

Setup

1. Take out the speaker body and speaker base carefully from the box.
2. Take out the accessories.
3. Fit the base with the body aligning the holes on the base with the holes on the tower.
4. Screw the base into the body.
5. Place the speaker standing on the floor and it's ready to use.

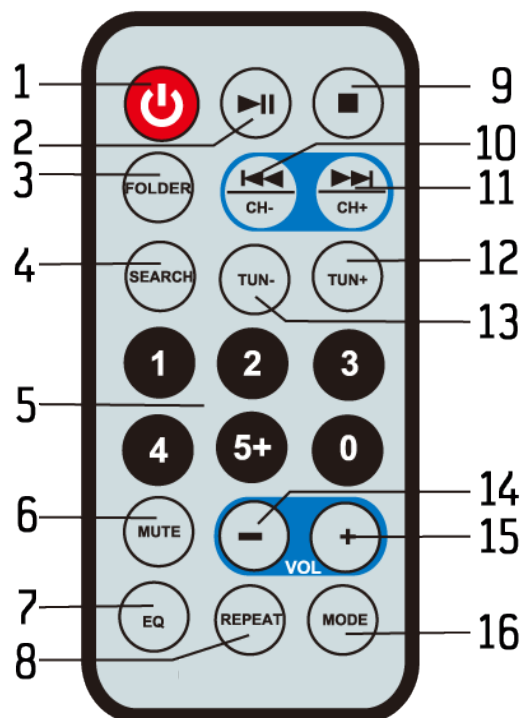
Top Panel

1. VOLUME - / VOLUME +
2. PLAY / PAUSE
3. MUTE
4. PREV
5. FOLDER
6. MODE
7. NEXT
8. MemCd
9. USB SLOT
10. USB SLOT FOR CHARGE
11. AUX RCA input
12. AUX 3.5mm Jack input
13. Power Switch
14. AC Input



Remote control

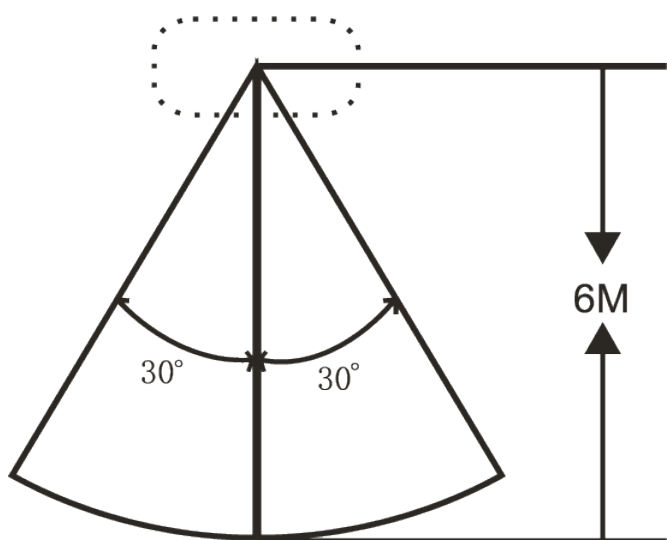
1. STANDBY / ON
2. PLAY / PAUSE button
3. FOLDER
4. SEARCH
5. NUMBER buttons
6. MUTE
7. EQ
8. REPEAT
9. STOP
10. PREVIOUS / CH -
11. NEXT / CH +
12. TUNING +
13. TUNING -
14. VOLUME -
15. VOLUME +
16. MODE



Using the Remote Control to Operate the Unit

Aim the remote control directly at the remote control sensor (IR) on the front panel. Don't put any objects between the remote control and the system while operating the unit.

To get your remote control working initially, pull the clear tab from the battery compartment located at the bottom of the remote.

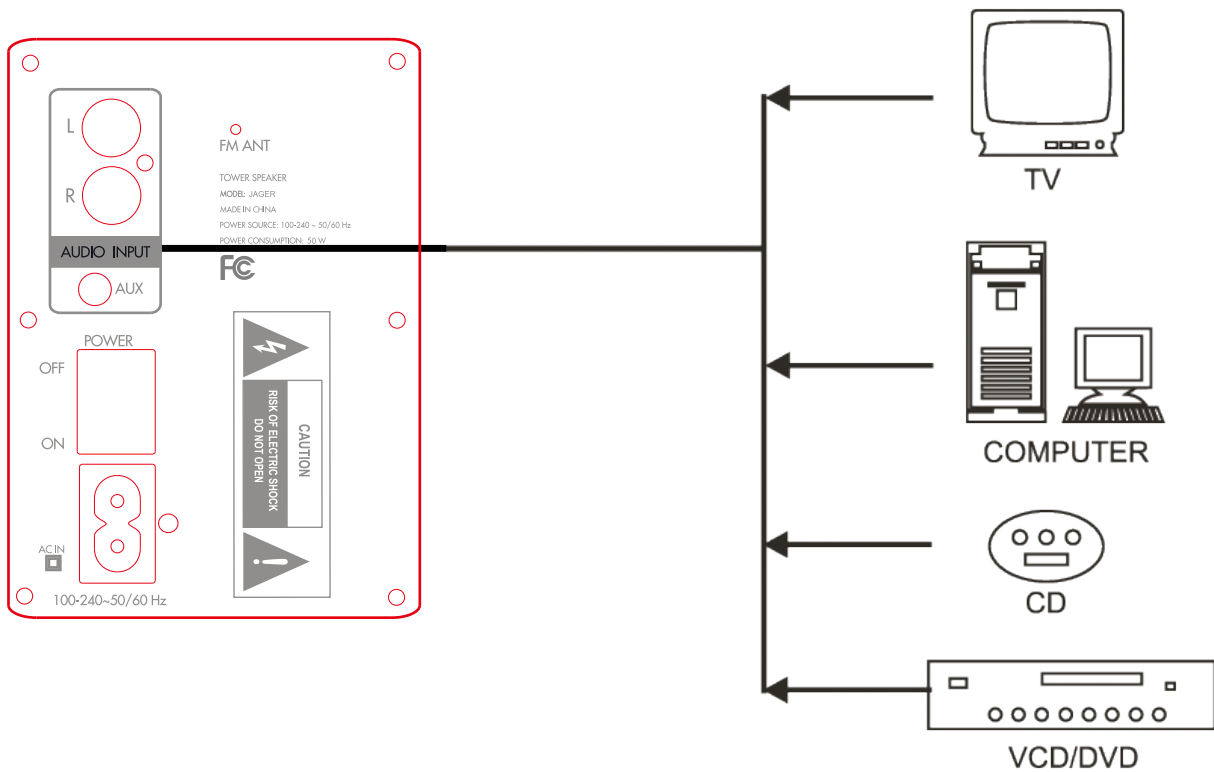


Using the AUX input

There are two Aux-in connections located on the unit. Analogue sound signals from other sources can be input to the speaker through these connections. Press the "MODE" button on the tower speaker or press the "MODE" button on the remote control to switch to the desired AUX IN connection.

AUX-IN

1. Connect the Aux In cable to the Aux-in jack. Connect the other end of the cable to an MP3 player or other audio source.
2. Press the "Power" button to turn the speaker on.
3. Press the "MODE" button to switch to Aux-in mode.
4. Use the controls on the connected device to begin playing music.



Wireless pairing function

1. Power on the unit, press "MODE" button on the remote control to switch to the pairing mode.
2. Activate the pairing function of your mobile phone (or other device you want to connect). Your device must search and find the device name "Jager".
3. Select "Jager" and the speaker will automatically connect with your phone (some mobile phones need you to input the PIN code that appears on the mobile phone screen).
4. If the Smart Phone/tablet cannot find the unit or can't pair, please power off and after power on and repeat the above steps.
5. The tower speaker will automatically reconnect with the last connected device (mobile phone or other device).
6. If you manually turn off the pairing function of the Smart Phone or the Smart Phone far away from the unit (over 10m), the connection between the speaker and the Smart Phone will be lost and the unit will enter the pairing standby mode.

USB port for playing MP3

Power on the unit and insert a USB Flash Drive (not supplied) into the USB Port, ensuring the plug is fully and correctly inserted.

The tower speaker will play music from the USB automatically or press "MODE" button on the remote.

USB port for charging


The USB power output DC 5V 1A supports charging of many electronic devices. When charging devices, make sure that the power supply is proper for your device.

MemCd slot for playing MP3

Insert an MemCd (not supplied) into the MemCd expansion slot. Make sure it is inserted correctly. The tower speaker will play music from the MemCd automatically or press "MODE" button on the remote.

FM Radio operation – Turn on the speaker and make sure that it's in FM mode. Press SEARCH button on the remote control to search and store radio channels automatically. The tower speaker can store 50 radio channels.

After the search is finished, the unit will play the first channel. Press NEXT or PREVIOUS buttons on the remote control to select the next or the previous radio channel. If the channel signal is not good, it can be fine tuned by pressing the TUN- or TUN+ buttons to adjust the signal.

 For a better sound quality, please make sure that the FM Antenna has been fully extended.

Care and Maintenance

Disconnect the device from the power source when cleaning it. If needed, wipe it with a soft and dry cloth. Do not use any wax, polish sprays, or abrasive product to clean the device.

FAQ / Troubleshooting

Question / Problem	Solution
The speaker cannot pair with the mobile phone	Make sure that the speaker is in pairing mode/ Check if the pairing search function of your mobile phone has been turned ON/Check your mobile device's pairing menu and delete/forget the speaker and reconnect the speaker again following the user manual
Speaker cannot be switch on	Please check the speaker's power cable and make sure that is correctly connected to a power outlet.
Remote control is not working correctly	If the remote control is not working or you need to move closer to the speaker to operate it, then probably the remote control battery needs to be replaced.
No sound in AUX IN mode	Pull out both ends of the audio cable and plug in again / replace the audio cable
Speaker disconnect with your mobile phone within 10 meter	Please check if there are walls, metal or other materials that may interfere with the wireless connection (Wireless pairing is a radio technology that is sensitive to objects between the speaker and the

	connected device].
Cannot hear sound from your mobile phone	Check the volume of the tower speaker and of your mobile phone.
Cannot use the speaker to control volume or select track of APP of your mobile phone	Software settings of APP may be varied and some functions of the APP may not control by the speaker.

FCC Warning

This device complies with part 15 of the FCC Rules. Operation is subject to the following two conditions: (1) This device may not cause harmful interference, and (2) this device must accept any interference received, including interference that may cause undesired operation.

Note: This equipment has been tested and found to comply with the limits for a Class B digital device, pursuant to part 15 of the FCC Rules. These limits are designed to provide reasonable protection against harmful interference in a residential installation. This equipment generates, uses, and can radiate radio frequency energy and, if not installed and used in accordance with the instructions, may cause harmful interference to radio communications. However, there is no guarantee that interference will not occur in a particular installation. If this equipment does cause harmful interference to radio or television reception, which can be determined by turning the equipment off and on, the user is encouraged to try to correct the interference by one or more of the following measures:

- Reorient or relocate the receiving antenna.
- Increase the separation between the equipment and receiver.
- Connect the equipment into an outlet on a circuit different from that to which the receiver is connected.
- Consult the dealer or an experienced radio/TV technician for help.

Note: The Grantee is not responsible for any changes or modifications not expressly approved by the party responsible for compliance. Such modifications could void the user's authority to operate the equipment.

The device has been evaluated to meet general RF exposure requirements. To maintain compliance with FCC's RF exposure guidelines, the distance must be at least 20 cm between the radiator and your body, and fully supported by the operating and installation configuration of the transmitter and its antenna(s).