

尺寸: 10\*10cm  
 双面印刷, 折叠

1

**BENSS**

# Intelligent Design

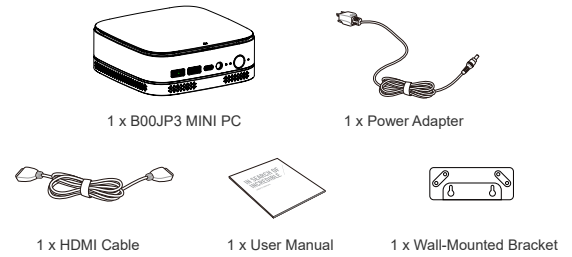
MINI PC B00JP3 Series

User Manuals Simplified



2

## Package Includes



## I/O Interface:

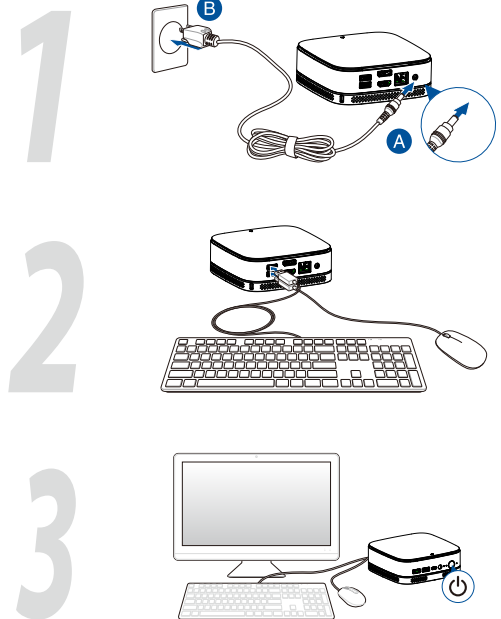


## Specifications

Chipset Brand	Intel Processor
CPU	Intel JasperLake N5095
	Intel UHD Graphics
Memory	SO-DIMM*2
	8GB/16GB/32GB(Option)
Storage	EMMC(Option): 32GB/64GB/128GB
	SSD(Option): 2280 Type.SATA 3.0 or PCIE*4
	HDD(Option): 2.5 inch 500GB/1TB/2TB
WiFi/Bluetooth	M.2 2230: AC WIFI/WIFI 5, BT 5
AC adapter	AC100240V.50/60Hz, 12V/2A05.0mm
TPM	Support TPM 2.0
Wireless Type	1216 on Board
Dimension(LxFxH)	126mm*126mm*42mm
Weight(g)	About 430g
Operating System	Windows 10 Pro/Windows 11 Pro

3

## Connection



4

5

### Instructions

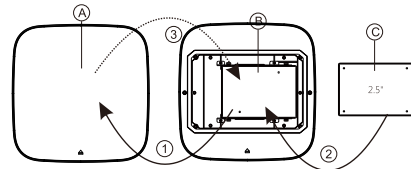
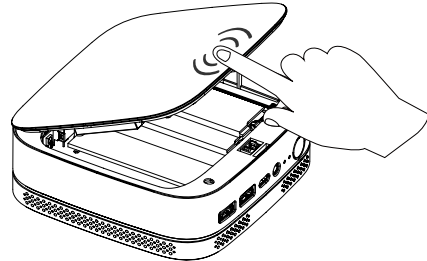
1. Connect the device with the display device (such as TV, screen, projector, etc.) via HD line, and select the "video input source" of the display device to the connected HD input channel.
2. DC-IN power supply: Connect the DC-IN interface of the power cord of the accessories to the device and insert the other end directly into the plug.
3. Use the device by connecting it with a wired or wireless keyboard and mouse via USB port.
4. Press the power button to start the system.

6

### Expansion a 2.5" HDD

(depending on model)

NOTE: In the case of HDD installed, if you want to open the top cover, after the top cover is bounced, slowly lift the top cover, being careful not to pull off the HDD connection cable.

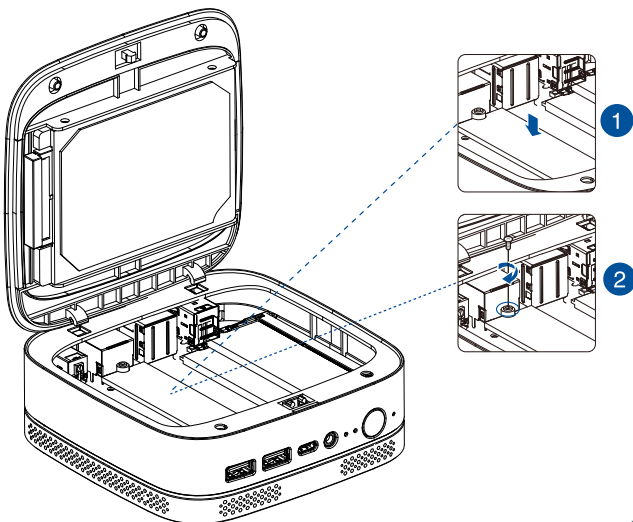


- A. Press the bottom of the cover
- B. Install the HDD on the cover with four screws
- C. 2.5 inch HDD

### Expansion SSD

(depending on model)

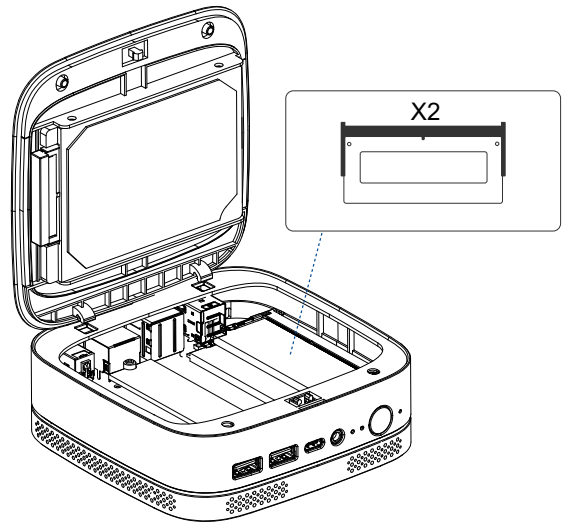
NOTE: In the case of HDD installed, if you want to open the top cover, after the top cover is bounced, slowly lift the top cover, being careful not to pull off the HDD connection cable.



### Expansion Memory Module(DDR4)

(depending on model)

NOTE: In the case of HDD installed, if you want to open the top cover, after the top cover is bounced, slowly lift the top cover, being careful not to pull off the HDD connection cable.



7

8

## Note

1. This low-power RF motor is a certified and qualified product. Companies, businesses or individuals may not change the frequency, enhance the power or change the characteristics and functions of the original design without permission.
2. Low-frequency RF motors should not affect flight safety and interfere with legitimate communication when they are used. When interference is found, they should be stopped using immediately and be improved to no interference before they can continue to be used. Legitimate communication refers to wireless communication in the work prescribed by law. Low-frequency RF motors must be able to tolerate the interference of legitimate communication or electromagnetic radiation motor equipment for industrial, scientific and medical purposes.
3. This product contains miniature batteries for mainboard CMOS, which cannot be replaced by consumers themselves. It may be dangerous if consumers replace incorrect types of batteries by themselves. Please properly handle the battery replacement.

9. The device should not be turned on or off frequently; the time interval between two boots should be at least 10 seconds, preferably no less than 60 seconds.
10. You can't move the device or turn off the power while reading/writing to the hard disk. Wait for about 30 seconds after shutting down it.
11. Pay attention to dust control, keep the environment clean and hygienic, and wipe it with a dry soft cloth.
12. Avoid direct exposure of strong light to the device, and do not put it near the strong magnetic field.
13. Don't get water, food and other fluids onto the device, and don't pull the data and power lines with force.

## Customer Service



For more information,  
please scan QR code  
[www.benss-tech.com](http://www.benss-tech.com)  
[support03@benss-tech.com](mailto:support03@benss-tech.com)

## Attention

1. This product is suitable for places below 3000 meters above sea level; this product is only suitable for non-tropical areas.
2. Be very careful when performing operations that may cause damage or loss of files.
3. After abnormal withdrawal or accidental power failure of the mini pc system, the hard disk scanning should be carried out as soon as possible to repair the errors in time.
4. When the mini pc boots, we should pay attention to the defense of the virus and try to use the virus firewall.
5. Turn on the display, printer, and other peripherals first, and finally turn on the device. Turn off the device first, then turn off the display.
6. If you do not use the device for a long time, turn off the main power switch.
7. The ideal working temperature of the device is 10-35 degrees, and the relative humidity is 30-80%.
8. The device should not be powered off for a long time (e.g. 1-3 months) before using it.

#### FCC Warning

This device complies with part 15 of the FCC rules. Operation is subject to the following two conditions: (1) this device may not cause harmful interference, and (2) this device must accept any interference received, including interference that may cause undesired operation.

Changes or modifications not expressly approved by the party responsible for compliance could void the user's authority to operate the equipment.

NOTE: This equipment has been tested and found to comply with the limits for a Class B digital device, pursuant to part 15 of the FCC Rules. These limits are designed to provide reasonable protection against harmful interference in a residential installation. This equipment generates uses and can radiate radio frequency energy and, if not installed and used in accordance with the instructions, may cause harmful interference to radio communications. However, there is no guarantee that interference will not occur in a particular installation. If this equipment does cause harmful interference to radio or television reception, which can be determined by turning the equipment off and on, the user is encouraged to try to correct the interference by one or more of the following measures:

- Reorient or relocate the receiving antenna.
- Increase the separation between the equipment and receiver.
- Connect the equipment into an outlet on a circuit different from that to which the receiver is connected.
- Consult the dealer or an experienced radio/TV technician for help.

#### Radiation Exposure Statement

This equipment complies with FCC radiation exposure limits set forth for an uncontrolled environment. This equipment should be installed and operated with minimum distance 20cm between the radiator and your body.