

# SKM55 Datasheet

## GPS Module

### Document Information

<b>Title</b>	SKM55 Ultra High Sensitivity and Low Power GPS Receiver Module Datasheet	
<b>Document type</b>	Datasheet	
<b>Document number</b>	SL-18100086	
<b>Revision and date</b>	V3.04	24-Aug-2022
<b>Disclosure restriction</b>	Public	

**Revision History:**

Revision	Description	Approved	Date
V1.01	Initial Release	Neil	20100601
V2.01	Change the PIN definitions	Neil	20111026
V3.02	Update office's address	George	20131119
V3.03	Update certification information	George	20170831
V3.04	Update the silab's web-site	Wendy	20220824

SKYLAB reserves all rights to this document and the information contained herein. Products, names, logos and designs described herein may in whole or in part be subject to intellectual property rights. Reproduction, use, modification or disclosure to third parties of this document or any part thereof without the express permission of SKYLAB is strictly prohibited.

The information contained herein is provided "as is" and SKYLAB assumes no liability for the use of the information. No warranty, either express or implied, is given, including but not limited, with respect to the accuracy, correctness, reliability and fitness for a particular purpose of the information. This document may be revised by SKYLAB at any time. For most recent documents, visit [www.skylab.com.cn](http://www.skylab.com.cn).

Copyright © 2017, Skylab M&C Technology Co., Ltd.

SKYLAB® is a registered trademark of Skylab M&C Technology Co., Ltd in China

## Contents

1 General Description .....	4
2 Applications .....	4
3 Features .....	5
4 Pin Assignment .....	5
5 Performance Specification .....	6
6 Hardware Interfaces Configuration .....	7
7 Pin Description .....	8
8 Mechanical Specification .....	9
9 Ordering Information .....	10
10 User's Guide .....	11
Installing the USB Driver to you Laptop .....	11
Com Port Verification .....	11
Initialing your GPS receiver .....	11
Using/Testing your GPS Receiver .....	12
11 Software Protocol .....	12
NMEA 0183 Protocol .....	12
GGA-Global Positioning System Fixed Data .....	13
GLL-Geographic Position – Latitude/Longitude .....	14
GSA-GNSS DOP and Active Satellites .....	14
GSV-GNSS Satellites in View .....	15
RMC-Recommended Minimum Specific GNSS Data .....	16
VTG-Course Over Ground and Ground Speed .....	17
ZDA-Date and Time .....	18
12 Contact Information .....	18

## 1 General Description

The SkyLab SKM55 Series with embedded GPS antenna enables high performance navigation in the most stringent applications and solid fix even in harsh GPS visibility environments.

It is based on the high performance features of the MediaTek single-chip architecture, Its  $-165\text{dBm}$  tracking sensitivity extends positioning coverage into place like urban canyons and dense foliage environment where the GPS was not possible before. The UART and USB connector design is the easiest and convenient solution to communication with other electronic equipment.



**Figure 1: SKM55 Top View**

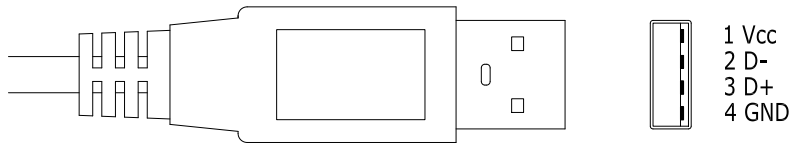
## 2 Applications

- ◆ LBS (Location Based Service)
- ◆ PND (Portable Navigation Device)
- ◆ Vehicle navigation system
- ◆ Mobile phone

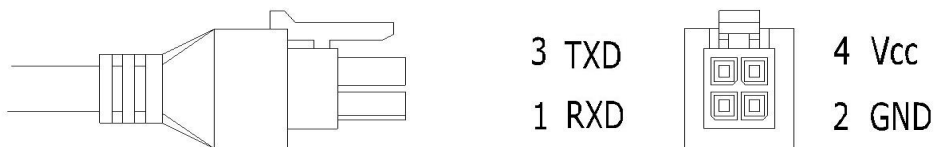
### 3 Features

- ◆ Ultra high sensitivity: -165dBm
- ◆ 22 tracking/66 acquisition-channel receiver
- ◆ WAAS/EGNOS/MSAS/GAGAN support
- ◆ NMEA protocols (default speed: 9600bps)
- ◆ Internal back-up battery
- ◆ One serial port
- ◆ Embedded patch antenna 25 x 25 x 4.0 mm
- ◆ Operating temperature range: -40 to 85°C
- ◆ RoHS compliance (Lead-free)
- ◆ FCC,CE compliance
- ◆ Tiny form factor : 46 \* 45 \* 15mm

### 4 Pin Assignment



**USB Connector**



**Micro-Fit 3.0 Connector**



**PS2 Male Connector**

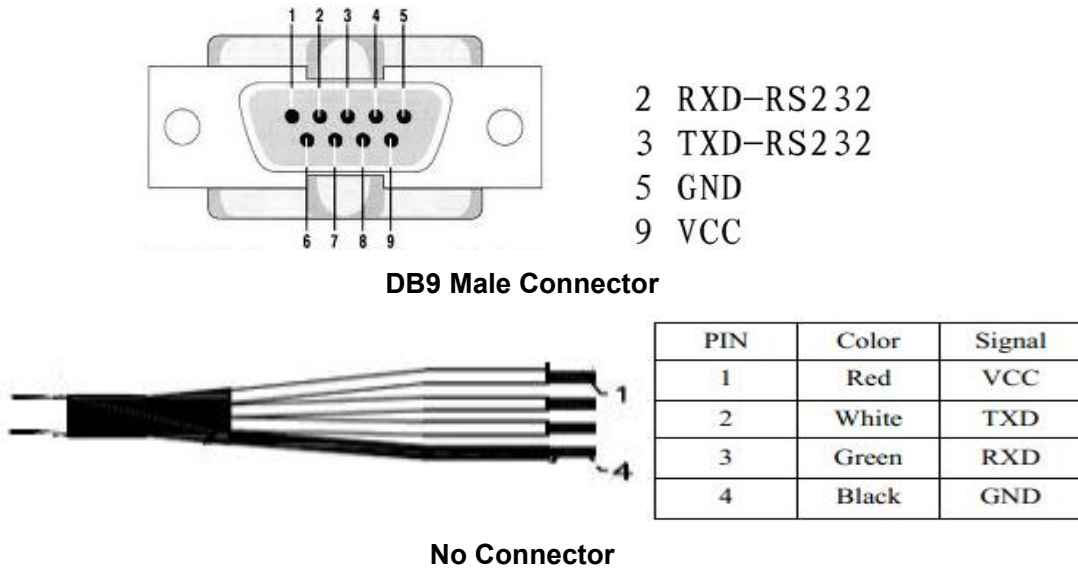


Figure 2: SKM55 Series Pin Package

## 5 Performance Specification

Parameter	Specification	
<b>GPS receiver</b>		
Receiver Type	L1 frequency band, C/A code, 22 Tracking / 66 Acquisition-Channel	
Sensitivity	Tracking	-165dBm
	Acquisition	-148dBm
Accuracy	Position	3.0m CEP50 without SA(Typical Open Sky)
	Velocity	0.1m/s without SA
Acquisition Time	Cold Start	32s
	Warm Start	23s
	Hot Start	1s
	Re-Acquisition	<1s
Power Consumption	Tracking	30mA @3.3V Typical
	Acquisition	35mA @3.3V
Navigation Data Update Rate	1Hz	
Operational Limits	Altitude	Max 18,000m
	Velocity	Max 515m/s
	Acceleration	Less than 4g

<b>Antenna Specifications</b>	
Outline Dimension	25 x 25 x 4.0 mm
Center Frequency	1575 ± 3 MHz
Bandwidth	10 MHz min
Impedance	50 Ω
Axial Ratio	3 dB max
Polarization	RHCP
<b>Mechanical requirements</b>	
Dimension	46*45*15mm
Weight	90g
<b>Power consumption</b>	
VCC	3.3V~5.5V
Current	30mA(typical)
<b>Environment</b>	
Operating temperature	-40 ~ +85 °C (w/o backup battery)
Storage temperature	-40 ~ +125 °C
Humidity	≦ 95%

## 6 Hardware Interfaces Configuration

**Power Supply:** Regulated power for the SKM55 series is required. The input voltage VCC should be 3.3V~5.5V, current is no less than 150mA. Suitable decoupling must be provided by external decoupling circuitry(10uF and 1uF). It can reduce the Noise from power supply and increase power stability.

**UART Ports:** The SKM55 series supports one full duplex serial channels UART. The serial connections are at 2.85V LVTTTL logic levels, if need different voltage levels, use appropriate level shifters. the data format is however fixed: X, N, 8, 1, i.e. X baud rate, no parity, eight data bits and one stop bit, no other data formats are supported, LSB is sent first. The modules default baud rate is set up 9600bps.

**USB Ports:** The SKM55 series uses single-chip USB to UART bridge, It is a USB 2.0 compliant full-speed device with integrated transceiver. Before using it, please install the appropriate driver.

**RS232 Ports:** The SKM55 series uses single-chip RS232 to UART bridge, It is 3V powered EIA/TIA-232 and V.28/V.24 communication interfaces with low power requirements.

## 7 Pin Description

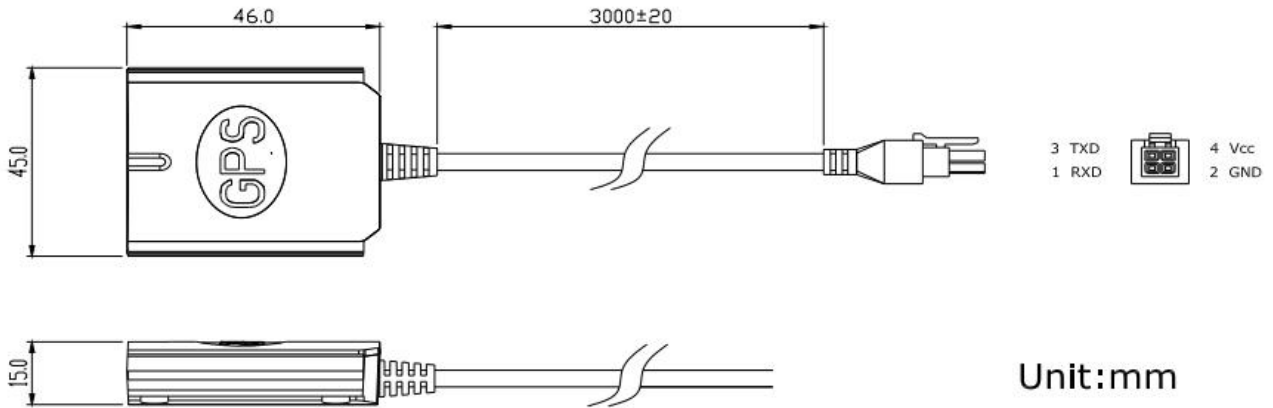
Pin No.	Pin name	I/O	Description	Remark
<b>UART Port (Micro-Fit 3.0 Connector)</b>				
1	TXD	O	TTL:3.1V VOH 2.4V -0.3V VOL 0.4V	
2	GND	G	Power Ground	Reference Ground
3	RXD	I	TTL:3.6V VIH 2.0V -0.3V VIL 0.8V	
4	VCC	P	Power Supply	3.3V~5.5V
<b>UART Port (PS2 Connector)</b>				
1	VCC	P	Power Supply	3.3V~5.5V
4	RXD	I	TTL:3.6V VIH 2.0V -0.3V VIL 0.8V	
5	GND	G	Power Ground	Reference Ground
6	TXD	O	TTL:3.1V VOH 2.4V -0.3V VOL 0.4V	
<b>USB Port (USB Connector)</b>				
1	VCC	P	USB Power Supply	5V
2	D-	I/O	Data-	
3	D+	I/O	Data+	
4	GND	G	USB Power Supply	Reference Ground
<b>RS232 (Micro-Fit 3.0 Connector )</b>				
1	RXD	O	Data input(RS232 level)	
2	GND	G	Power Ground	Reference Ground
3	TXD	I	Data output(RS232 level)	
4	VCC	P	Power Supply	3.3V~5.5V
<b>RS232 (PS2 Connector )</b>				



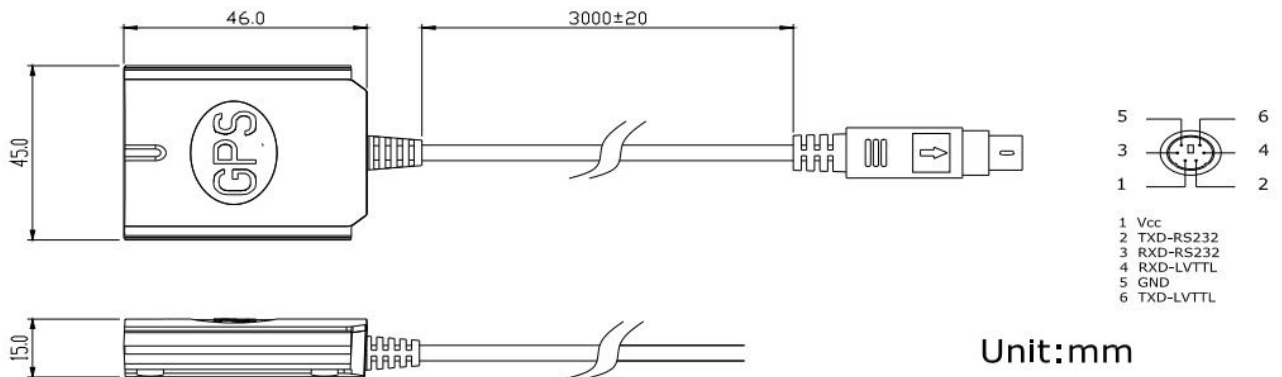
1	VCC	P	Power Supply	3.3V~5.5V
2	TXD	O	Data output(RS232 level)	
3	RXD	I	Data input(RS232 level)	
5	GND	G	Power Ground	Reference Ground
<b>RS232 (DB9 Connector)</b>				
3	TXD	O	Data output(RS232 level)	
2	RXD	I	Data input(RS232 level)	
5	GND	G	Power Ground	Reference Ground
9	VCC	P	Power Supply	3.3V~5.5V

## 8 Mechanical Specification

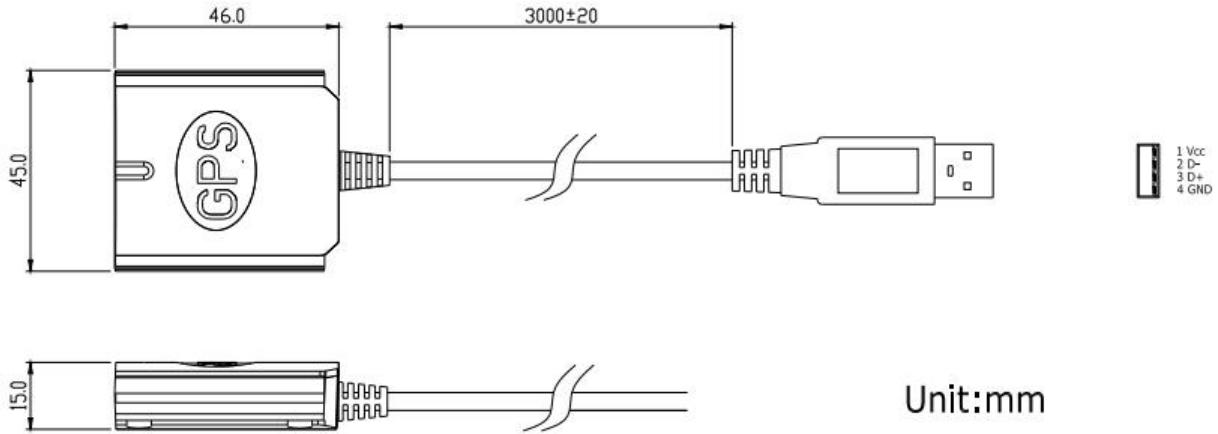
### Micro-Fit 3.0 Connector



### PS2 Connector



**USB Connector**



**No Connector**

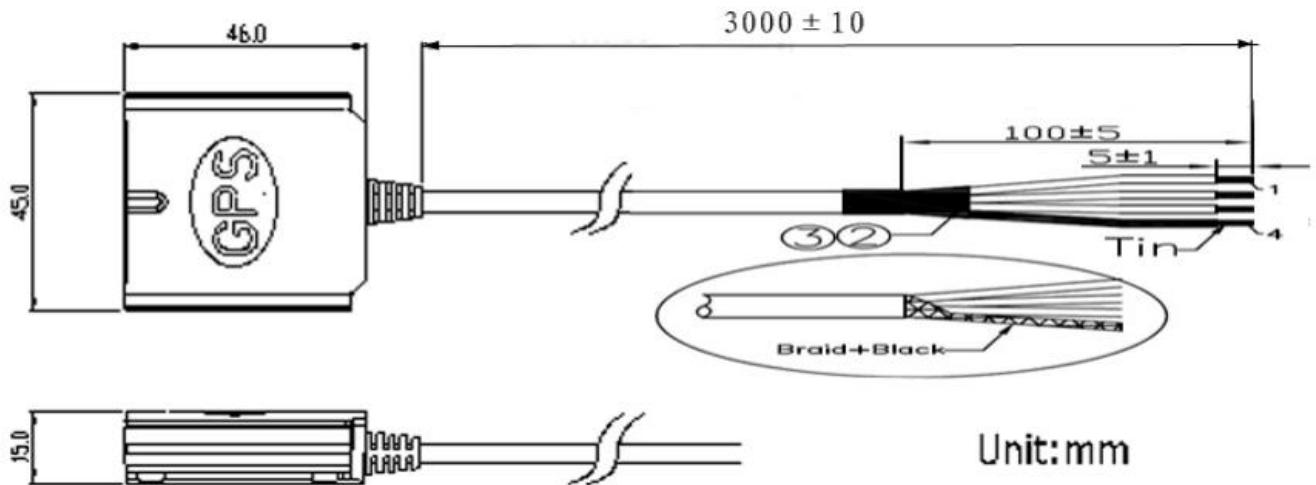


Figure 3: SKM55 Series Connector

**9 Ordering Information**

	PS2	Micro-Fit 3.0 (43025-0400)	USB	Audio	DB9	No connector
UART(TTL)	SKM55TP	SKM55TM		SKM55TA	SKM55TD	SKM55TX
RS232	SKM55RP	SKM55RM		SKM55RA	SKM55RD	SKM55RX
USB			SKM55U			SKM55UX

## 10 User's Guide

### Installing the USB Driver to you Laptop

Driver updates can be found at Silab's web-site:

<https://www.silabs.com/developers/usb-to-uart-bridge-vcp-drivers?tab=downloads>(<https://www.silabs.com>)

### Com Port Verification

1. Once your USB Driver has been installed, you will need to confirm which COM Port your PC has assigned to it in order to properly configure any software that will be utilizing the GPS data being received.
2. Your USB GPS must be plugged into your USB port at this time.
3. Using Window's Control Panel, select System > Hardware > Device Manager
4. Then look under the heading of: PORTS (Com & LPT)
5. There should be a listing for: CP210x USB to UART Bridge Controller (COM x) ("x" will actually be the number your PC has assigned the USB GPS receiver).
6. Once you have identified the COM port number, any software that you utilize must be configured to read GPS data from this COM port.

We strongly suggest that you first test your USB GPS with the included GPS Info utility program to confirm that the GPS receiver is functioning properly on your PC and that you have successfully configured the right COM Port setting. Once this has been done, close the GPS Info program and start your application for COM port configuration.

**NOTE:** By default, your PC will not allow you to run multiple applications from a single COM port. It is important that you close any previously opened GPS application before switching to another GPS application as the GPS receiver and data will not be found by the new program.

There are special utilities available to split data into multiple COM ports for use by more than one application simultaneously. (see: <http://franson.com/gpsgate/>)

### Initialing your GPS receiver

Before using your USB GPS receiver for navigation (especially for the first time), the receiver must obtain a local GPS fix (coordinates) of the current position. To do this, take your laptop (with your USB driver and the

mapping software loaded and configured) to an open area that has a clear view to the sky (such as a park or empty field). Start your software (or the included GPS Info utility program) and wait for initialization of the GPS to complete. This may take a few minutes depending on various factors such as the distance of the current coordinates from the last time the GPS receiver was activated, GPS signal strength and surrounding terrain (tall trees and buildings can block the satellite signals). In some cases initialization can take up to several minutes depending on the conditions .

Coordinates scrolling with zero's means that the port connection is complete, but the satellite data is not being received yet (possibly still initializing or in a bad area for satellite reception).

## Using/Testing your GPS Receiver

Once the USB GPS receiver's driver and your personal mapping software have been installed and configured properly, you can begin to use your navigation system by plugging the USB GPS into your laptop's USB port and launching your mapping software.

## 11 Software Protocol

### NMEA 0183 Protocol

The NMEA protocol is an ASCII-based protocol, records start with a \$ and with carriage return/line feed. GPS specific messages all start with \$GPxxx where xxx is a three-letter identifier of the message data that follows. NMEA messages have a checksum, which allows detection of corrupted data transfers.

The SkyLab SKM55 supports the following NMEA-0183 messages: GGA, GLL, GSA, GSV, RMC VTG, ZDA. The module default NMEA-0183 output is set up GGA、GSA、RMC、GSV , and default baud rate is set up 9600bps.

Table 1: NMEA-0183 Output Messages

NMEA Record	Description	Default
GGA	Global positioning system fixed data	Y
GLL	Geographic position—latitude/longitude	N
GSA	GNSS DOP and active satellites	Y
GSV	GNSS satellites in view	Y

RMC	Recommended minimum specific GNSS data	Y
VTG	Course over ground and ground speed	N
ZDA	Date and Time	N

## GGA-Global Positioning System Fixed Data

This sentence contains the position, time and quality of the navigation fix.

See RMC for Fix Status, Fix Mode, Fix Date, Speed, and True Course.

See GSA for Fix Type, PDOP, and VDOP.

\$GPGGA,021514.000,2232.1799,N,11401.1823,E,1,6,1.25,84.0,M,-2.2,M,,\*74

Table 2: GGA Data Format

Name	Example	Units	Description
Message ID	\$GPGGA		GGA protocol header
UTC Position	021514.000		hhmmss.sss
Latitude	2232.1799		ddmm.mmmm
N/S indicator	N		N=north or S=south
Longitude	11401.1823		dddmm.mmmm
E/W Indicator	E		E=east or W=west
Position Fix Indicator	1		See Table 2-1
Satellites Used	6		Range 0 to 12
HDOP	1.25		Horizontal Dilution of Precision
MSL Altitude	84.0	meters	Altitude (referenced to the Ellipsoid)
AltUnit	M	meters	Altitude Unit
GeoSep	-2.2	meters	Geoidal Separation
GeoSepUnit	M	meters	Geoidal Separation Unit
Age of Diff.Corr.	<Null>	second	Null fields when it is not Used
Diff.Ref.Station ID	<Null>		Null fields when it is not Used
Checksum	*74		
EOL	<CR> <LF>		End of message termination

Table 2-1: Position Fix Indicators

Value	Description
0	Fix not available or invalid
1	GPS SPS Mode, fix valid
2	Differential GPS, SPS Mode, fix valid
3	GPS PPS Mode, fix valid

### GLL-Geographic Position – Latitude/Longitude

This sentence contains the fix latitude and longitude.

\$GPGLL,2232.1799,N,11401.1824,E,021513.000,A,A\*50

Table 3: GLL Data Format

Name	Example	Units	Description
Message ID	\$GPGLL		GLL protocol header
Latitude	2232.1799		ddmm.mmmm
N/S Indicator	N		N=north or S=south
Longitude	11401.1824		dddmm.mmmm
E/W Indicator	E		E=east or W=west
UTC Position	021513.000		hhmmss.sss
Fix Status	A		A=data valid or V=data not valid
Fix Mode	A		A=autonomous, N = No fix, D=DGPS, E=DR
Checksum	*50		
EOL	<CR> <LF>		End of message termination

### GSA-GNSS DOP and Active Satellites

This sentence contains the mode of operation, type of fix, PRNs of the satellites used in the solution as well as PDOP, HDOP and VDOP.

\$GPGSA,A,3,26,05,18,15,27,29,,,,,,,,,1.52,1.25,0.87\*0F

Table 4: GSA Data Format

Message	\$GPGSA		GSA protocol header
Mode 1	A		See Table 4-2
Mode 2	3		See Table 4-1
ID of satellite used	26		Sv on Channel 1
ID of satellite used	05		Sv on Channel 2
...	...		...
ID of satellite used	<Null>		Sv on Channel 12 (Null fields when it is not Used)
PDOP	1.52		Position Dilution of Precision
HDOP	1.25		Horizontal Dilution of Precision
VDOP	0.87		Vertical Dilution of Precision
Checksum	*0F		
EOL	<CR> <LF>		End of message termination

Table 4-1: Mode 1

Value	Description
1	Fix not available
2	2D Fix
3	3D Fix

Table 4-2: Mode 2

Value	Description
M	Manual-forced to operate in 2D or 3D mode
A	Automatic-allowed to automatically switch 2D/3D

### GSV-GNSS Satellites in View

This sentence contains the PRNs, azimuth, elevation, and signal strength of all satellites in view.

\$GPGSV,3,1,12,15,79,333,42,42,50,127,,29,45,263,44,02,36,124,30\*7E

\$GPGSV,3,2,12,26,36,226,34,05,35,046,22,27,33,161,29,21,16,319,\*7D

\$GPGSV,3,3,12,10,15,066,31,18,14,285,45,24,12,319,15,08,09,047,18\*7E

Table 5: GSV Data Format

Name	Example	Units	Description
Message ID	\$GPGSV		GSV protocol header
Number of Message	3		Total number of GSV sentences (Range 1 to 3)
Message Number	1		Sentence number of the total (Range 1 to 3)
Satellites in View	12		Number of satellites in view
Satellite ID	15		Channel 1(Range 01 to 32)
Elevation	79	degrees	Channel 1(Range 00 to 90)
Azinmuth	333	degrees	Channel 1(Range 000 to 359)
SNR(C/NO)	42	dB-Hz	Channel 1(Range 00 to 99, null when not tracking)
...			...
Satellite ID	02		Channel 4(Range 01 to 32)
Elevation	36	degrees	Channel 4(Range 00 to 90)
Azimuth	124	degrees	Channel 4(Range 000 to 359)
SNR(C/NO)	30	dB-Hz	Channel 4(Range 00 to 99, null when not tracking)
Checksum	*7E		
EOL	<CR> <LF>		End of message termination

Depending on the number of satellites tracked multiple messages of GSV data may be required.

### RMC-Recommended Minimum Specific GNSS Data

This sentence contains the recommended minimum fix information.

See GGA for Fix Quality, Sats Used, HDOP, Altitude, Geoidal Separation, and DGPS data.

See GSA for Fix Type, PDOP and VDOP.

\$GPRMC,023345.000,A,2232.1767,N,11401.1953,E,0.18,151.55,100410,,A\*6B

Table 6: RMC Data Format

Name	Example	Units	Description
Message ID	\$GPRMC		RMC protocol header
UTS Position	023345.000		hhmmss.sss
Status	A		A=data valid or V=data not valid
Latitude	2232.1767		ddmm.mmmm



N/S Indicator	N		N=north or S=south
Longitude	11401.1953		dddmm.mmmm
E/W Indicator	E		E=east or W=west
Speed Over Ground	0.18	Knots	
Course Over Ground	151.55	Degrees	True Course
Date(UTC)	100410		ddmmyy
Magnetic variation	<Null>	Degrees	Null fields when it is not Used
Magnetic Variation Direction	<Null>		E=east or W=west (Null fields when it is not Used)
Fix Mode	A		A=autonomous, N = No fix, D=DGPS, E=DR
Checksum	*6B		
EOL	<CR> <LF>		End of message termination

## VTG-Course Over Ground and Ground Speed

This sentence contains the course and speed of the navigation solution.

\$GPVTG,148.81,T,,M,0.13,N,0.24,K,A\*3D

Table 7: VTG Data Format

Name	Example	Units	Description
Message ID	\$GPVTG		VTG protocol header
Tcourse	148.81	Degrees	True Course
Reference	T		T = True
Mcourse	<Null>	Degrees	Magnetic Course (Null fields when it is not Used)
Reference	M		M = Magnetic (Null fields when it is not Used)
Speed over ground	0.13	Knots	Nautical Miles per Hour
Units	N		Knots
Speed over ground	0.24	Km/hr	in Kilometers per Hour
Units	K		Kilometer per hour
Mode	A		A=Autonomous, N=No fix, D=DGPS, E=DR
Checksum	*3D		
EOL	<CR> <LF>		End of message termination

## ZDA-Date and Time

This sentence contains UTC date & time, and local time zone offset information.

\$GPZDA,023345.000,10,04,2010,,\*50

Table 8: ZDA Data Format

Name	Example	Units	Description
Message ID	\$GPZDA		ZDA protocol header
UTC Time	023345.000		hhmmss.sss
Day	10		UTC time: day (01 ... 31) dd
Month	04		UTC time: month (01 ... 12) mm
Year	2010		UTC time: year (4 digit year) yyyy
local zone hours	<null>		Local Time Zone Offset Hours (Null fields when it is not Used)
local zone minutes	<null>		Local Time Zone Offset Minutes (Null fields when it is not Used)
Checksum	*50		
EOL	<CR> <LF>		End of message termination

## 12 Contact Information

### Skylab M&C Technology Co., Ltd.

深圳市天工测控技术有限公司

**Address:** 6th Floor, No.9 Building, Lijincheng Scientific & Technical park, Gongye East Road,Longhua District, Shenzhen, Guangdong, China

**Phone:** 86-755 8340 8210 (Sales Support)

**Phone:** 86-755 8340 8510 (Technical Support)

**Fax:** 86-755-8340 8560

**E-Mail:** sales1@skylab.com.cn

**Website:** www.skylab.com.cn    www.skylabmodule.com

### **FCC Statement**

Changes or modifications not expressly approved by the party responsible for compliance could void the user's authority to operate the equipment.

This equipment has been tested and found to comply with the limits for a Class B digital device, pursuant to Part 15 of the FCC Rules. These limits are designed to provide reasonable protection against harmful interference in a residential installation. This equipment generates uses and can radiate radio frequency energy and, if not installed and used in accordance with the instructions, may cause harmful interference to radio communications. However, there is no guarantee that interference will not occur in a particular installation. If this equipment does cause harmful interference to radio or television reception, which can be determined by turning the equipment off and on, the user is encouraged to try to correct the interference by one or more of the following measures:

- Reorient or relocate the receiving antenna.
- Increase the separation between the equipment and receiver.
- Connect the equipment into an outlet on a circuit different from that to which the receiver is connected.
- Consult the dealer or an experienced radio/TV technician for help

This device complies with part 15 of the FCC rules. Operation is subject to the following two conditions (1) this device may not cause harmful interference, and (2) this device must accept any interference received, including interference that may cause undesired operation.