

SKB378 规格书

蓝牙5.2 模组

SKB378 Datasheet

BLE 5.2 Module

文档信息 Document information

标题 Title	SKB378 规格书 蓝牙5.2 模组 SKB378 Datasheet BLE 5.2 Module
文档类型 Document type	规格书 Datasheet
文档编号 Document number	SL-22030223
版本及日期 Version and date	V1.04 28-Jan-2021
秘密等级 Disclosure restriction	公开 Public

版本历史 Revision History

版本 Revision	描述 Description	审查 Approved	日期 Date
V1.01	初始发布 Initial Release	Sherman	2021.12.23
V1.02	UART 串口由 TX_PB2,RX_PD1 更正为 TX_PB1,RX_PB2/ UART serial ports changed from TX_PB2,RX_PD1 to TX_PB1,RX_PB2	Sherman	2022.1.18
V1.03	更新管脚定义/ Update the Pinout Description	Sherman	2022.3.11
V1.04	添加模组参数/Add module parameters	Charles	2022.3.28

SKYLAB 保留本文档及本文档所包含的信息的所有权利。SKYLAB 拥有本文档所述的产品、名称、标识和设计的全部知识产权。严禁没有征得 SKYLAB 的许可的情况下复制、使用、修改或向第三方披露本文档的全部或部分内容。

SKYLAB 对本文档所包含的信息的使用不承担任何责任。没有明示或暗示的保证，包括但不限于关于信息的准确性、正确性、可靠性和适用性。SKYLAB 可以随时修订这个文档。可以访问 www.skylab.com.cn 获得最新的文件。

Copyright © 2021, 深圳市天工测控技术有限公司。

SKYLAB® 是深圳市天工测控技术有限公司在中国的注册商标。

SKYLAB reserves all rights to this document and the information contained herein. Products, names, logos and designs described herein may in whole or in part be subject to intellectual property rights. Reproduction, use, modification or disclosure to third parties of this document or any part thereof without the express permission of SKYLAB is strictly prohibited.

The information contained herein is provided "as is" and SKYLAB assumes no liability for the use of the information. No warranty, either express or implied, is given, including but not limited, with respect to the accuracy, correctness, reliability and fitness for a particular purpose of the information.

This document may be revised by SKYLAB at any time. For most recent documents, visit www.skylab.com.cn.

Copyright © 2021, Skylab M&C Technology Co., Ltd.

SKYLAB® is a registered trademark of Skylab M&C Technology Co., Ltd in China.

目录 Contents

1. 简介 Brief Introduction	4
2. 特点 Features	4
3. 应用场景 Applications	5
4. 应用框图 Application Block Diagram	6
5. 管脚定义 Pinout Description	7
6. 接口简介 Interfaces Introduction	9
6.1 数字输入输出引脚 Digital I/Os	9
6.2 通用同步/异步接收机/发射机 Universal Synchronous/Asynchronous Receiver/Transmitter	11
6.3 两线双向通信接口（兼容 I2C）Two-wire Interface (I2C Compatible)	11
6.4 程序烧录口 Flash Program I/Os	12
6.5 脉冲密度调制接口 Pulse Density Modulation(PDM) Interface	12
6.6 模数转换 Analog to Digital Converter	12
7. 模组参数 Module Specifications	13
8. 参考设计原理图 Reference Schematic	16
9. PCB 设计参考 PCB Design Guide	18
10. 生产过程推荐 Manufacturing Process Recommendations	19
10. 包装信息 Packaging Specification	20
12. 订购信息 Ordering Information	20
13. 联系信息 Contact Information	21

1. 简介 Brief Introduction

SKB378 是一个高度集成的蓝牙 5.2 模组，可用在 2.4GHz ISM 频段内做高速率、短距离无线通信。模组基于 EFR32BG22 蓝牙无线收发芯片，内部集成 32 位 ARM Cortex-M33 处理器，主频 76.8MHz，同时内置 32kB RAM 和 512kB Flash，支持模拟或者数字外设。SKB378 提供了低功耗高性价比的蓝牙传输和 AOA 定位应用。

The SKB378 is a highly integrated BLE 5.2 module, designed for high data rate, short-range wireless communication in the 2.4GHz ISM band. The module is based on EFR32BG22 radio transceiver IC, which integrates a 32 bit ARM Cortex-M33 76.8MHz CPU, 32kB Data RAM, 512kB Flash memory and analog and digital peripherals. The SKB378 provides a low power and high cost-effective BLE solution for wireless transmission and AOA positioning.

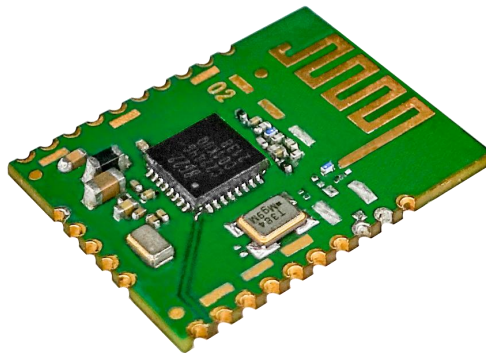


Figure 1: SKB378 Without Shielding

2. 特点 Features

- ◆ 主控芯片/ Main Chip: SILICON LABS EFR32BG22
- ◆ 蓝牙低功耗 5.2 协议/ BLE® 5.2 protocol
- ◆ 支持蓝牙到达角、发射角定位/ Support BLE AOA/AOD positioning
- ◆ 支持 BLE 全速率模式/ Supported BLE all data rates : 125kbps/250kbps/500kbps/1Mbps/2Mbps
- ◆ 优秀的射频性能/Superior Radio Performance: TX Power 6dBm / RX sensitivity -106.7dBm@125kbps GFSK
- ◆ 极低功耗/ Ultra Low Power consumption: TX 4.1mA@0dBm, RX 3.6mA@1Mbps, Sleep current<1.8uA
- ◆ 4 路 16 位定时器+1 路 32 位 RTC 定时器+1 路 24 位低功耗波形发生定时器/
4x16bit timers+1x32bit RTC timer+1*24bit Low Energy Timer for waveform generation

- ◆ 12 位 1M 采样率 SAR 型 ADC/ 12-bit 1Msps SAR ADC
- ◆ 丰富的外设接口/ Abundance of peripheral interface:
2*USART(UART/ SPI/ SmartCard-ISO7816/ IrDA/ I2S), 2*I2C, PDM for Digital Microphone, 12*PRS
- ◆ 硬件加密/ HW encryption: AES 128/256,SHA-1,SHA-2,ECC(up to 256bit),ECDSA(up to 256bit) and ECDH
- ◆ 兼容 ROHS (无铅) / ROHS compliance (Lead-free)

3. 应用场景 Applications

- ◆ 蓝牙 AOA 定位基站/信标 BLE AOA Anchor/Beacons
- ◆ 蓝牙 5.2 无线麦克风 BLE 5.2 wireless microphone
- ◆ 电脑输入输出外设 Computer peripherals and I/O devices
 - 鼠标 Mouse
 - 键盘 Keyboard
 - 多点触控板 Multi-touch trackpad
- ◆ 交互式娱乐设备 Interactive entertainment devices
 - 遥控器 Remote controller
 - 3D 眼镜 3D Glasses
 - 游戏远程控制器 Gaming remote controller
- ◆ 个人局域网 Personal Area Networks
 - 健康传感及监控设备 Health/fitness sensor and monitor devices
 - 医疗设备 Medical devices
 - 遥控钥匙+手表手环 Key-fobs + wrist watches
- ◆ 遥控玩具 Remote control toys
- ◆ 彩色遥控 LED 灯 Colourful LED Control
- ◆ 楼宇自动化 Building automation
- ◆ 无线传感器网络 Wireless sensor networks.
- ◆ 资产追踪 Asset tracking.

4. 应用框图 Application Block Diagram

SKB378 模组内部集成 1.8V DCDC，IO 电平默认使用 3.3V，可以直接用纽扣电池供电。

SKB378 module integrates 1.8V DCDC, and the IO voltage is 3.3V by default. It can be powered by coin battery.

默认贴 32.768kHz 晶体和 32MHz 晶体。

The 32.768kHz and 32MHz crystal is default mounted.

5. 管脚定义 Pinout Description

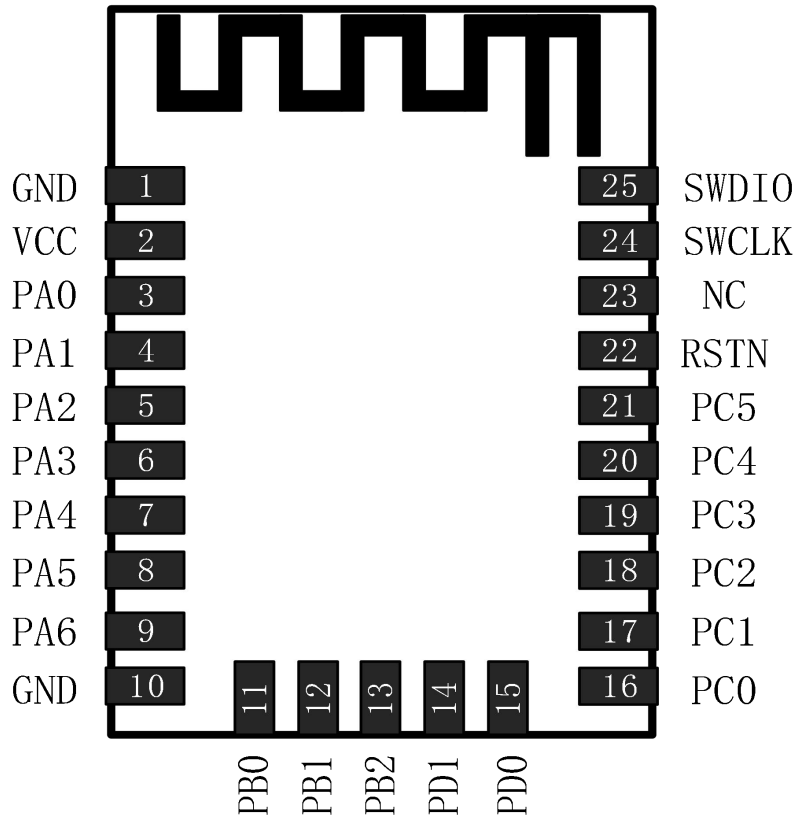


Figure 5: SKB378 Module Pinout

引脚 Pin No.	引脚名称 Pin Name	引脚类型 Pin type	备注 Remark
1	GND	Ground	接地焊盘 Ground PAD
2	VCC	Power Supply	1.8~3.6V 电源供电脚,使用一个 10uF 和一个 0.1uF 滤波电容靠近 1 脚和 2 脚 1.8V to 3.6V power supply,Place a 10uF and a 0.1uF filter capacitors near pin1 and pin2
3	PA0	Digital I/O	通用输入/输出端口 General input/output port
4	PA1	Digital I/O	复用输入/输出端口 Multiplexed general input/output port 与 SWCLK 共用 GPIO Internally shared with SWCLK
5	PA2	Digital I/O	复用输入/输出端口 Multiplexed general input/output port 与 SWDIO 共用 GPIO Internally shared with SWDIO
6	PA3	Digital I/O; Analog input	通用输入/输出端口 General input/output port;

7	PA4	Digital I/O; Analog input	通用输入/输出端口 General input/output port;
8	PA5	Digital I/O; Analog input	通用输入/输出端口 General input/output port;
9	PA6	Digital I/O; Analog input	通用输入/输出端口 General input/output port;
10	GND	Ground	接地焊盘 Ground PAD
11	PB0	Digital I/O; Analog input	通用输入/输出端口 General input/output port;
12	PB1	Digital I/O; Analog input	通用输入/输出端口 General input/output port; 默认作为串口通信发射 Default TX for UART communication
13	PB2	Digital I/O	通用输入/输出端口 General input/output port 默认作为串口通信接收 Default RX for UART communication
14	PD1	Digital I/O	默认接 32.768kHz 晶体输入 XTALIN 通用输入/输出端口 General input/output port
15	PD0	Digital I/O	默认接 32.768kHz 晶体输出 XTALOUT 通用输入/输出端口 General input/output port
16	PC0	Digital I/O	通用输入/输出端口 General input/output port
17	PC1	Digital I/O	通用输入/输出端口 General input/output port
18	PC2	Digital I/O	通用输入/输出端口 General input/output port
19	PC3	Digital I/O	通用输入/输出端口 General input/output port
20	PC4	Digital I/O	通用输入/输出端口 General input/output port
21	PC5	Digital I/O	通用输入/输出端口 General input/output port
22	RSTN	System Reset (Active low)	低有效复位 Low efficient reset
23	NC	Not Connect	不接(模组型号区分脚: 采用 IPEX 时接地, 采用板载天线时悬空); Not connect (Module type difference: Low for IPEX antenna, NC for PCB antenna)
24	SWDCLK	Hardware debug and Flash program I/O	串行总线调试时钟输入口 SWD(Serial wire debug) clock input
25	SWDIO	Hardware Debug and Flash Program I/O	串行总线调试数据 I/O 口 SWD(Serial wire debug) data input and output

6. 接口简介 Interfaces Introduction

注：以下接口，模块硬件支持，但要和技术确认是否软件支持，默认软件是串口透传，使用 UART TX PB1, RX PB2。如果用到其他接口，请和我司 FAE 确认，必要时建议回传原理图确认。

Note:The following interfaces are supported by the module hardware, but the software support shall be confirmed with our technology support. The default software is serial port transparent transmission, using UART TX PB1, RX PB2. If other interfaces are used, please confirm with our FAE. If necessary, it is recommended to send back the schematic diagram for confirmation.

6.1 数字输入输出引脚 Digital I/Os

SKB378 共有 18 个 GPIO (含 2 个 SWD 调试端口复用 GPIO: PA1_SWDCCLK, PA2_SWDCIO)。

SKB378 has 18 GPIOs (including 2 SWD multiplexed GPIOs: PA1_SWDCCLK, PA2_SWDCIO) .

每个 GPIO 引脚可单独配置为输出或输入。可为每个 GPIO 引脚配置更高级的配置，包括开漏、开源和故障过滤。

Each GPIO pin can be individually configured as either an output or input. More advanced configurations including open-drain, open-source, and glitch-filtering can be configured for each individual GPIO pin.

GPIO 引脚可以被外围连接覆盖，如 SPI 通信。每个外围连接都可以路由到设备上的几个 GPIO 引脚。GPIO 引脚的输入值可以通过外围反射系统传送到其他外围设备。GPIO 子系统支持异步外部引脚中断。The GPIO pins can be overridden by peripheral connections, like SPI communication. Each peripheral connection can be routed to several GPIO pins on the device. The input value of a GPIO pin can be routed through the Peripheral Reflex System to other peripherals. The GPIO subsystem supports asynchronous external pin interrupts.

端口 A 和端口 B 上的所有引脚都支持 EM2(EM 解释见备注)。这些引脚可由 EM2/3 中的低能外围设备使用，也可用作 EM2/3 引脚唤醒。端口 C 和 D 上的引脚在进入 EM2 时锁定/保持在其当前状态，直到 EM2 退出，内部外围设备可以再次驱动这些端口。

All of the pins on ports A and port B are EM2 capable (EM explain see note) . These pins may be used by Low-Energy peripherals in EM2/3 and may also be used as EM2/3 pin wake-ups. Pins on ports C and D are latched/retained in their current state when entering EM2 until EM2 exit upon which internal peripherals could once again drive those ports.

一些 GPIO 还具有 EM4 唤醒功能。这些引脚列在备用功能表中。

A few GPIOs also have EM4 wake functionality. These pins are listed in the Alternate Function Table.

GPIO	Alternate Function				
PC00	GPIO.EM4WU6	GPIO.THMSW_EN	GPIO.THMSW_HAL FSWITCH		
PC05	GPIO.EM4WU7				
PC07	GPIO.EM4WU8				
PB03	GPIO.EM4WU4				
PB01	GPIO.EM4WU3				
PB00	IADC0.VREFN				
PA00	IADC0.VREFP				
PA01	GPIO.SWCLK				
PA02	GPIO.SWDIO				
PA03	GPIO.SWW	GPIO.TDO	GPIO.TRACEDA- TA0		
PA04	GPIO.TDI	GPIO.TRACECLK			
PA05	GPIO.EM4WU0				
PD02	GPIO.EM4WU9				
PD01	LFXO.LFXTAL_I	LFXO.LF_EXTCLK			
PD00	LFXO.LFXTAL_O				

Figure 6: SKB378 GPIO alternate function

注：EM 指 Energy Mode 低功耗模式。M2/EM3 操作仅端口 A/B 上的数字外设 I/O 支持。EM0 和 EM1 中的数字外设操作所有 GPIO 端口都支持

Note: EM stand for Energy Mode. EM2 and EM3 operation is only supported for digital peripheral I/O on Port A and Port B. All GPIO ports support digital peripheral operation in EM0 and EM1.

下表描述了外设功能于特定功耗模式下的实现，其余模块支持完整配置。

The table below describes device specific implementation of the features. Remaining modules support full configuration.

Module	Lowest Energy Mode	Configuration
I2C0	EM2 ¹	
I2C1	EM1	
IADC0	EM2	
LETIMER0	EM2 ¹	
PDM	EM1	2-channel
TIMER0	EM1	32-bit, 3-channels, +DTI
TIMER1	EM1	16-bit, 3-channels, +DTI
TIMER2	EM1	16-bit, 3-channels, +DTI
TIMER3	EM1	16-bit, 3-channels, +DTI
TIMER4	EM1	16-bit, 3-channels, +DTI
EUART0	EM1 - Full high-speed operation EM2 ¹ - Low-energy operation, 9600 Baud	
USART0	EM1	+IrDA, +I2S, +SmartCard
USART1	EM1	+IrDA, +I2S, +SmartCard

6.2 通用同步/异步接收机/发射机 Universal Synchronous/Asynchronous Receiver/Transmitter

通用同步/异步接收器/发射器是一个灵活的串行 I/O 模块。它支持带硬件流量控制的全双工异步 UART 通信以及 RS-485、SPI、MicroWire 和 3 线。它还可以与支持以下功能的设备连接：ISO7816 SmartCards / IrDA / I2S。

The Universal Synchronous/Asynchronous Receiver/Transmitter is a flexible serial I/O module. It supports full duplex asynchronous UART communication with hardware flow control as well as RS-485, SPI, MicroWire and 3-wire. It can also interface with devices supporting: ISO7816 SmartCards / IrDA / I2S.

6.3 两线双向通信接口（兼容 I2C）Two-wire Interface (I2C Compatible)

I2C 模块在 MCU 和串行 I2C 总线之间提供接口。它能够同时充当主总线和从总线，并支持多主总线。支持标准模式、快速模式和快速模式加速度，允许传输速率从 10kbit/s 高达 1Mbit/s。还提供从属仲裁和超时，允许实施符合 SMBus 的系统。I2C 模块为软件提供的接口允许对传输过程进行精确的定时控制和高度自动化的传输。在活动 and 低能模式下提供从机地址的自动识别。请注意，并非所有 I2C 实例在所有能量模式下都是可用的。

The I2C module provides an interface between the MCU and a serial I2C bus. It is capable of acting as both a master and a slave and supports multi-master buses. Standard-mode, fast-mode and fast-mode

plus speeds are supported, allowing transmission rates from 10kbit/s up to 1Mbit/s. Slave arbitration and timeouts are also available, allowing implementation of an SMBus-compliant system. The interface provided to software by the I2C module allows precise timing control of the transmission process and highly automated transfers. Automatic recognition of slave addresses is provided in active and low energy modes. Note that not all instances of I2C are available in all energy modes.

6.4 程序烧录口 Flash Program I/Os

SKB378 有两个烧录管脚，分别是 SWDCLK 和 SWDIO。这个双线串行调试接口提供了一个调试访问接口（DAP），为程序代码的非侵入性调试提供了一个灵活而强大的机制，可以支持断点调试和步进调试。建议设计时留出 4pin 接口（VCC, GND, SWCLK, SWDIO）。

SKB378 has two programmer pins, respectively SWDCLK pin and SWDIO pin. The two pin Serial Wire Debug (SWD) interface provided as a part of the Debug Access Port (DAP) offers a flexible and powerful mechanism for non-intrusive debugging of program code. Breakpoints and single stepping are part of this support. It is suggested that a 4-pin interface (VCC,GND,SWCLK,SWDIO) should be reserved on your design.

6.5 脉冲密度调制接口 Pulse Density Modulation(PDM) Interface

PDM 模块为脉冲密度调制（PDM）话筒、隔离的 Sigma-delta ADC、数字传感器和其他 PDM 或 Sigma-delta 位流外围设备提供串行接口和抽取滤波器。可编程级联积分器梳状（CIC）滤波器用于抽取输入比特流。PDM 支持立体声或单声道输入数据和 DMA 传输。

The PDM module provides a serial interface and decimation filter for Pulse Density Modulation (PDM) microphones, isolated Sigma delta ADCs, digital sensors and other PDM or sigma delta bit stream peripherals. A programmable Cascaded Integrator Comb (CIC) filter is used to decimate the incoming bit streams. PDM supports stereo or mono input data and DMA transfer.

6.6 模数转换 Analog to Digital Converter

IADC 是一种混合架构，结合了 SAR 和 Delta-Sigma 转换器的技术。它的分辨率高达 12 位，最高可达 1MSPS。硬件过采样减少了多个前端采样的系统级噪声。空间碎片委员会包括综合电压基准。输入可从多种来源选择，包括可配置为单端或差分的引脚。

The IADC is a hybrid architecture combining techniques from both SAR and Delta-Sigma style converters. It has a resolution of up to 12bits at up to 1MSPS. Hardware oversampling reduces system-level noise over multiple front-end samples. The IADC includes integrated voltage references.

Inputs are selectable from a wide range of sources, including pins configurable as either single-ended or differential.

7. 模组参数 Module Specifications

硬件特性/Hardware Features	
模块/Model	SKB378
天线类型/Antenna Type	PCB Antenna/ External Antenna(UF.L IPEX-1)
芯片/Chip-set Solution	EFR32BG22
电压/Voltage	1.71V~3.8V
尺寸/Dimension(L×W×H)	19.7×16.5×1.9 mm
无线特性/Wireless Features	
无线标准/Wireless Standards	Bluetooth ® 5.2
频率范围/Frequency Range	2400MHz---2483.5MHz
传输速率/Data Rates	125kbps,500kbps,1Mbps,2Mbps(Bluetooth ® 5.2) 250kbps Proprietary
通讯距离/Communication distance	170m (@+6dBm125kbps,PCB antenna)
广播距离/broadcast distance	50m (+0dBm)
无线安全/Wireless Security	AES HW Encryption
发射功率/Transmit Power	+0dBm to +6dBm(SK B378)
调制/Modulation	2(G)FSK with fully configurable shaping OQPSK DSSS (G)MSK
接收灵敏度/Receive Sensitivity	-98.9dBm sensitivity @ 1Mbit/s GFSK1 -96.2dBm sensitivity @ 2Mbit/s GFSK -102.5dBm sensitivity @ 500kbps GFSK -106.7dBm sensitivity @ 125kbps GFSK
射频唤醒电平/Wake-on-RF Level	Min -28dBm2(Threshold set to -34dBm)3 Min -23dBm(Threshold set to -28dBm) Min -19dBm(Threshold set to -22dBm)
工作模式/Work Mode	Central/ Peripheral (Master/ Slave device in BLE connection)
功耗参数/Power Consumption	

默认发射功率/Default TX	4.1mA @ 0dBm
默认接收功率/Default RX	3.6mA (1Mbps GFSK)
空闲模式/Idle mode	1.75uA(EM2 Deep Sleep current [32kB RAM retention and RTC running from Precision LFRCO])
发射功耗/Transmit power consumption	10mA (+6dBm)
广播功耗/Broadcast power consumption	28uA (+0dBm,1000ms, connectable)
数据连接功耗/Data connection power consumption	86uA (只连接电流值)
	2.1mA (连接加串口不发数据电流值)
	2.15mA (连接加串口发送数据电流值)
其它/Others	
证明/Certification	ROHS
环境/Environment	Operating Temperature: -40°C~85°C
	Storage Temperature: -40°C~125°C
	Operating Humidity: 10%~50% Non-condensing
	Storage Humidity: 5%~90% Non-condensing

注 Note :

1.灵敏度数值为传导测试，接入匹配网络末端。

Values collected with conducted measurements performed at the end of the matching network.

2.可选的唤醒信号采用 1kHz OOK 曼彻斯特编码，8 位前导码，32 位同步字。

Selective wake signal is 1 kHz OOK Manchester-coded, 8 bits of preamble, 32-bit sync word.

Table9-1: 极限参数 Absolute Maximum Ratings

Parameter	Condition	Min.	Max.	Unit	Note
Storage Temperature	T _A	-40	125	°C	
Operating Temperature	T _J	-40	85	°C	
Humidity	RH	0	50	%	Non-condensing, Non-biased
ESD Protection (HBM)	V _{ESD}	TBD	TBD	V	Module pin has no internal ESD protection component. Please put them on the exposed pins (i.e. button,LED directly drive)

Supply Voltage	VCC	-0.3	3.8	V	
Voltage On Any I/O Pin	VCC _{IO}	-0.3	VCC+0.3	V	

Table9-2 推荐参数 Recommended Operation Ratings

Parameter	Symbol	Min.	Type	Max.	Unit
Power Supply	VCC	1.71	3.3	3.8	V
Input Low Voltage	V _{IL}	0	-	0.3*VCC	V
Input High Voltage	V _{IH}	0.7*VCC	-	VCC	V
Sink/Source Current per IO pin	I _{IO MAX}	-	-	50	mA
Sink/Source Current for all IO pins	I _{IO ALL MAX}	-	-	200	mA

8. 参考设计原理图 Reference Schematic

模组默认软件使用的参考设计原理图如下。

The reference design schematic diagram used by the default software of the module is as follows.

注意事项 Note:

1. 模组做 UART 透传的默认串口是 TX_PB1, RX_PB2, 默认高电平和 VCC 脚的供电电压相同, 下图使用了 2 个电平转换电路用作 UART 通信电平的转换, 如不需转换使用 R5, R6 (小于 1k) 替换 Q1, Q6 即可。

The default serial port for UART transparent transmission of the module is TX_PB1, RX_PB2. The default voltage high level is the same as the supply voltage of VCC pin. In the figure below, two level conversion circuits are used for the conversion of UART communication level. If it is not necessary, use R5, R6 (less than 1K Ω) instead of Q1, Q6.

2. 建议预留 4pin 的烧录口, 方便烧录或者升级软件, 烧录口建议预留静电防护器件 (可不贴)。

It is recommended to reserve a 4Pin port for firmware downloading or software upgrading. It is recommended to reserve electrostatic protection devices (can be NC) at the burning port.

3. 复位脚内部已经上拉到 VCC，外部无需上拉，如需使用按键复位，请预留防抖动电容，并靠近按钮处放置一个 ESD 保护器件。

The reset pin has been pulled up to VCC internally, so there is no need to pull up externally. If you need to use the button to reset, please reserve an anti-shake capacitor and place an ESD protection device near the button.

4. 其余 pin 脚做按键时，建议同复位脚一样预留保护电路，如需做低功耗建议使用外部 $< 2.1M\Omega$ 的上拉电阻。

If other pin pins are used as keys, it is recommended to reserve protection circuit same as the reset pin. If low power consumption is required, please use external pull-up resistors ($< 2.1M\Omega$).

5. IO 口驱动能力有限，单个 IO 口驱动电流最大 50mA，所有 IO 口最大电流加起来不得超过 200mA，如需驱动大电流时，请用外部三极管或者 MOS 管驱动。

The current driving capacity of IO port is limited. The maximum driving current of a single IO port is 50mA, and the total maximum current of all IO ports shall not exceed 200mA. If large current needs to be driven, please use external triode or MOFET.

9. PCB 设计参考 PCB Design Guide

请为模组的 PCB 天线预留足够的镂空区域，最小镂空尺寸 16.5*6.6mm，请根据下图 PCB 封装推荐来检查设计。

Please reserve empty area for PCB Antenna when you are going to design a device's board, the empty range minimum size :16.5*6.6mm , please kindly check the PCB footprint for reference.

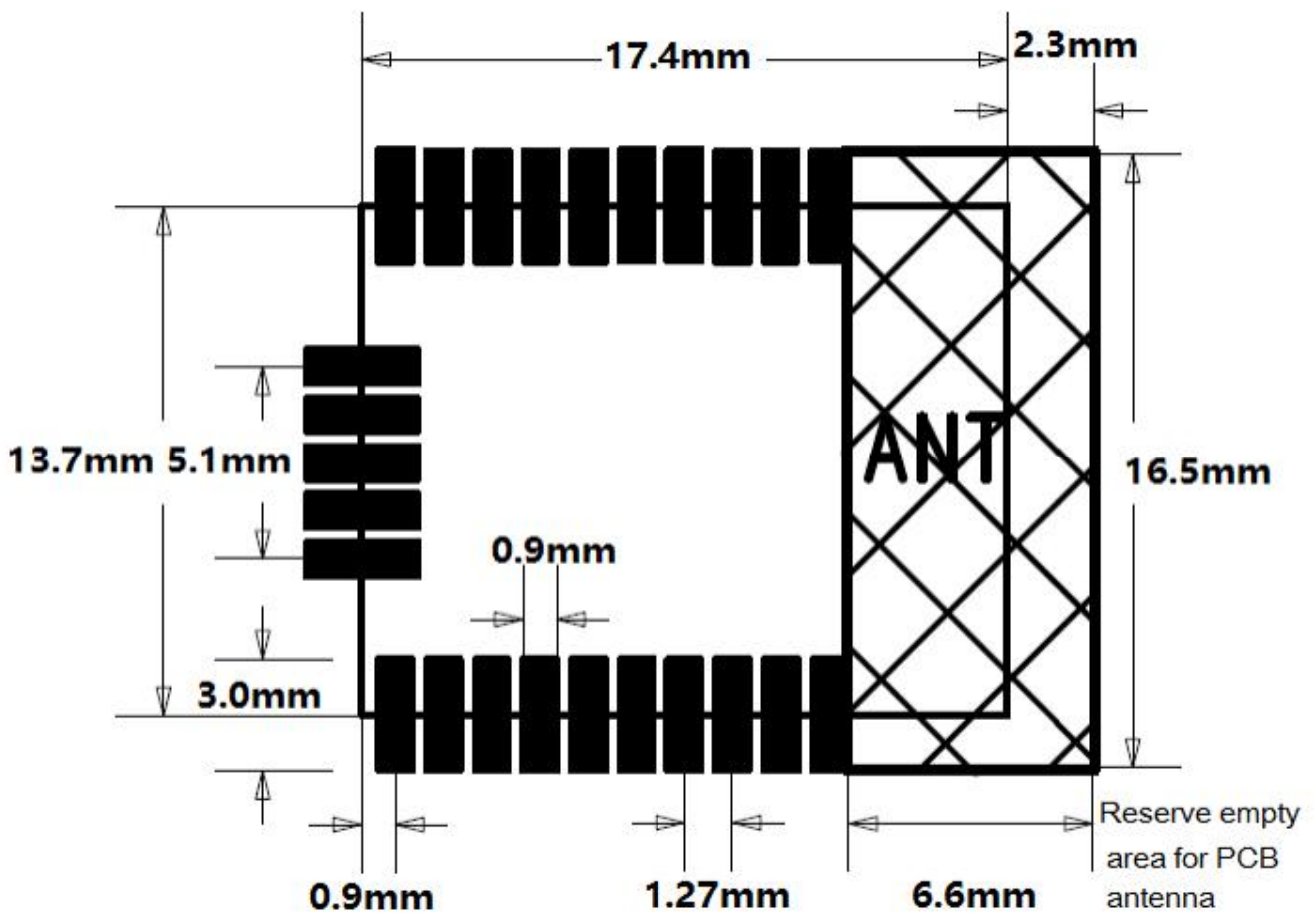


Figure 9 SKB378 Recommended PCB Footprint

注：为加快您的设计，我司可提供标准原理图和 PCB 封装。如有必要，也可以回传设计图请我司技术支持人员确认。

Note: In order to speed up your design, we can provide standard schematic diagram and PCB package. If necessary, the design drawing can also be sent back for confirmation by our technical support personnel.

10. 生产过程推荐 Manufacturing Process Recommendations

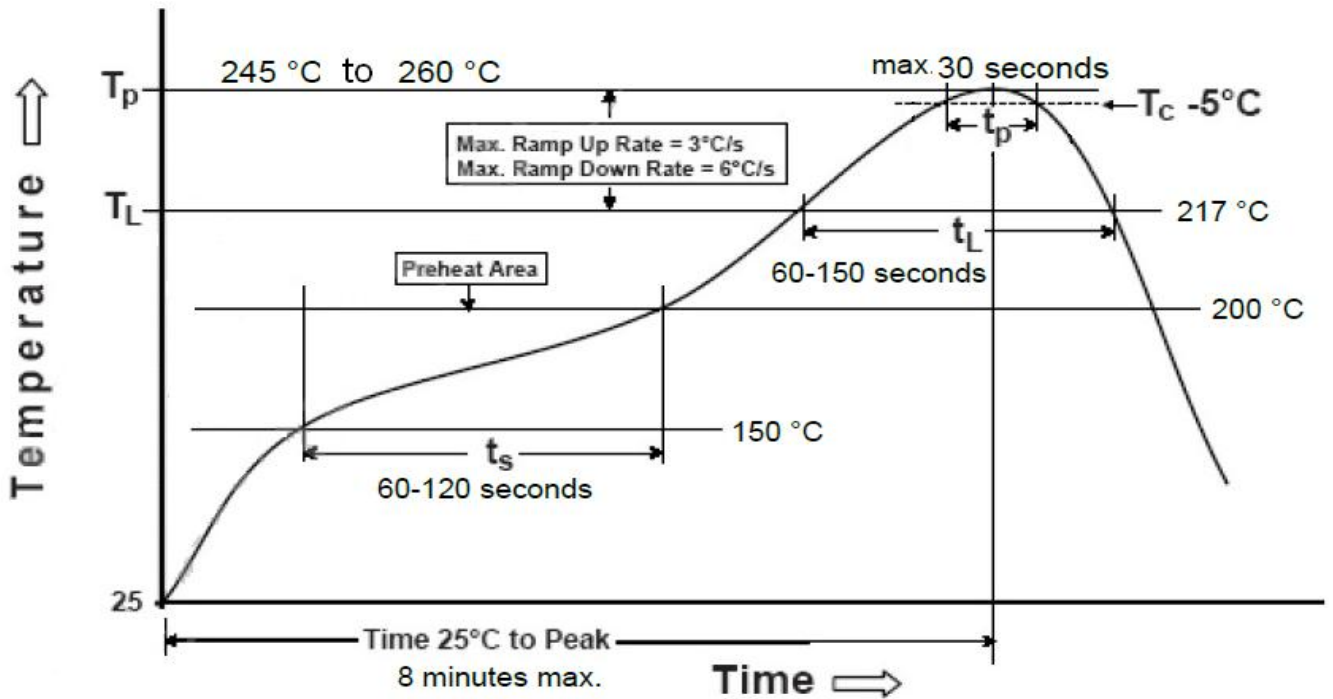


Figure 10: SKB378 Typical Lead-free Soldering Profile

注意:

- 1.最终的炉温曲线取决于工厂的其他因素，如锡膏的种类、尺寸、厚度、模组基板的性质等。
- 2.超出推荐炉温曲线的最高温度可能会损坏模组！

Note:

1. The final re-flow soldering temperature map chosen at the factory depends on additional external factors, for example, choice of soldering paste, size, thickness and properties of the module's baseboard etc.
2. Exceeding the maximum soldering temperature in the recommended soldering profile may permanently damage the module!

10. 包装信息 Packaging Specification

SKB378 模块放入托盘，每个托盘 528 个单元。每个托盘烘干后真空包装。

SKB378 modules are put into tray and 528 units per tray. Each tray is 'dry' and vacuum packaging.

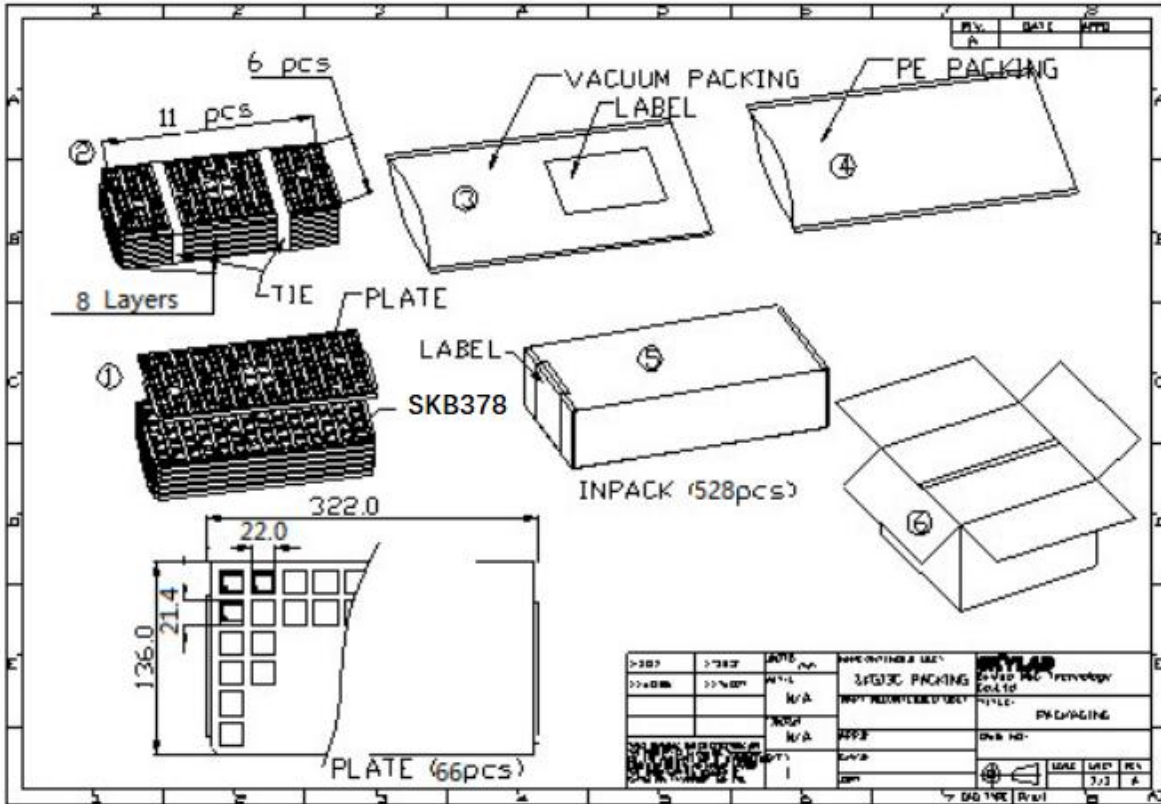


Figure 11: SKB378 Packaging

12. 订购信息 Ordering Information

Module No.	Part number	Product State	Note
SKB378-CXPI	0947101	MP	BG22C224,带 32k 晶体_不带屏蔽盖_板载天线_工业级
SKB378-CSPI	0947102	Sample	BG22C224,带 32k 晶体_带屏蔽盖_板载天线_工业级
SKB378-CXEI	0947103	Sample	BG22C224,带 32k 晶体_不带屏蔽盖_外接天线_工业级
SKB378-CSEI	0947104	Sample	BG22C224,带 32k 晶体_带屏蔽盖_外接天线_工业级
SKB378A-XXPI	0947105	Sample	BG22C112,不带 32k 晶体_不带屏蔽盖_板载天线_工业级
SKB378A-CXPI	0947106	Sample	BG22C112,带 32k 晶体_不带屏蔽盖_板载天线_工业级
SKB378A-CSPI	0947107	Sample	BG22C112,带 32k 晶体_带屏蔽盖_板载天线_工业级

尾缀含义 Sub-fix definition

SKB378(A)-1234

字符位置/Character position	值/Value	含义/Meaning
(A)	-	SKB378 默认使用 BG22C224
	A	SKB378A 使用 BG22C112
1	C	支持 32.768kHz 晶体 32.768kHz Crystal support
	X	不支持 Not support
2	S	支持屏蔽盖 Sheild cover support
	X	不支持屏蔽盖 Not support
3	P	支持 PCB 天线 PCB antenna
	E	外置天线 External antenna (IPEX-III)
4	C	商用级 Commercial(0~70℃)
	I	默认工业级=CIIndustrial(-40~85℃)
	V	车规级 Vehicle(-40~125℃) (需定制)

部分型号暂未批量，如有需要请联系业务员。

Some models aren't in mass production, please contact the salesman if necessary.

13. 联系信息 Contact Information

深圳市天工测控技术有限公司

Skylab M&C Technology Co., Ltd.

地址: 深圳龙华区工业东路利金城科技工业园 9 栋 6 楼

Address: 6 Floor, No.9 Building, Lijincheng Scientific & Technical park, Gongye East Road,
Longhua District, Shenzhen, Guangdong, China

业务电话: Sales Phone: 86-755 8340 8210

技术电话: Technical Phone: 86-755 8340 8510

传真 Fax: 86-755-8340 8560

邮箱 E-Mail: sales1@skylab.com.cn

网址 Website: www.skylab.com.cn www.skylabmodule.com

FCC Statement

FCC standards: FCC CFR Title 47 Part 15 Subpart C Section 15.247

PCB Antenna with antenna gain -3dBi

We will retain control over the final installation of the modular such that compliance of the end product is assured. In such cases, an operating condition on the limit modular approval for the module must be only approved for use when installed in devices produced by a specific manufacturer. If any hardware modify or RF control software modify will be made by host manufacturer, C2PC or new certificate should be apply to get approval, if those change and modification made by host manufacturer not expressly approved by the party responsible for compliance, then it is illegal.

FCC Radiation Exposure Statement

The modular can be installed or integrated in mobile or fix devices only. This modular cannot be installed in any portable device. This modular complies with FCC RF radiation exposure limits set forth for an uncontrolled environment. This transmitter must not be co-located or operating in conjunction with any other antenna or transmitter. This modular must be installed and operated with a minimum distance of 20 cm between the radiator and user body.

OEM INTEGRATION INSTRUCTIONS:

This device is intended only for OEM integrator under the following conditions:

The module must be installed in the host equipment such that 20 cm is maintained between the antenna and users, and the transmitter module may not be co-located with any other transmitter or antenna. The module shall be only used with the internal on-board antenna that has been originally tested and certified with this module. External antennas are not supported. As long as these 3 conditions above are met, further transmitter test will not be required.

However, the OEM integrator is still responsible for testing their end-product for any additional compliance requirements required with this module installed (for example, digital device emissions, PC peripheral requirements, etc.). The end-product may need Verification testing, Declaration of Conformity testing, a Permissive Class II Change or new Certification. Please involve a FCC certification specialist in order to determine what will be exactly applicable for the end-product.

Validity of using the module certification:

In the event that these conditions cannot be met (for example certain laptop configurations or co-location with another transmitter), then the FCC authorization for this module in combination with the host equipment is no longer considered valid and the FCC ID of the module cannot be used on the final product. In these circumstances, the OEM integrator will be responsible for re-evaluating the end product (including the transmitter) and obtaining a separate FCC authorization. In such cases, please involve a FCC certification specialist in order to determine if a Permissive Class II Change or new Certification is required.

Upgrade Firmware:

The software provided for firmware upgrade will not be capable to affect any RF parameters as certified for the FCC for this module, in order to prevent compliance issues.

End product labeling:

This transmitter module is authorized only for use in device where the antenna may be installed such that 20 cm may be maintained between the antenna and users.

Information that must be placed in the end user manual:

The OEM integrator has to be aware not to provide information to the end user regarding how to install or remove this RF module in the user's manual of the end product which integrates this module. The end user manual shall include all required regulatory information/warning as show in this manual.

When the module is installed inside another device, the user manual of the host must contain below warning statements;

1. This device complies with part 15 of the FCC Rules. Operation is subject to the following two conditions:

(1) This device may not cause harmful interference, and

(2) (2) this device must accept any interference received, including interference that may cause undesired operation.

Any Changes or modifications not expressly approved by the party responsible for compliance could void the user's authority to operate the equipment.

Note: This equipment has been tested and found to comply with the limits for a Class B digital device, pursuant to part 15 of the FCC Rules. These limits are designed to provide reasonable protection against harmful interference in a residential installation. This equipment generates, uses and can radiate radio frequency energy and, if not installed and used in accordance with the instructions, may cause harmful interference to radio communications. However, there is

no guarantee that interference will not occur in a particular installation. If this equipment does cause harmful interference to radio or television reception, which can be determined by turning the equipment off and on, the user is encouraged to try to correct the interference by one or more of the following measures:

—Reorient or relocate the receiving antenna.

—Increase the separation between the equipment and receiver.

—Connect the equipment into an outlet on a circuit different from that to which the receiver is connected.

—Consult the dealer or an experienced radio/TV technician for help.

2. Changes or modifications not expressly approved by the party responsible for compliance could void the user's authority to operate the equipment.

The devices must be installed and used in strict accordance with the manufacturer's instructions as described in the user documentation that comes with the product.

Any company of the host device which install this modular with limit modular approval should perform the test of radiated & conducted emission and spurious emission, etc. according to FCC part 15C : 15.247, 15B Class B requirement, Only if the test result comply with FCC part 15C : 15.247, 15B Class B requirement, then the host can be sold legally.

CE Statement

Herby, Skylab M&C Technology Co., Ltd declares that this SKB378 Datasheet BLE 5.2 Module, SKB378 is in compliance with the essential requirements and other relevant provisions of Directive 2014/53/EU. In accordance with Article 10(2) and Article 10(10), this product allowed to be used in all EU member states. Use the SKB378 Datasheet BLE 5.2 Module in the environment with the temperature between -40℃ and 85℃

Operation Frequency: 2402MHz~2480MHz

Max output power: BLE: 0.0018W

Manufacturer: Skylab M&C Technology Co., Ltd

Address: 6/F, Building9, Lijincheng park, Gongye East Road, Longhua St. Longhua District, Shenzhen, Guangdong, 518109 China

E-mail: anna.lvshan@skylab.com.cn

DECLARATION OF CONFORMITY

I hereby declare that the product

Product:

Product Name: SKB378 Datasheet BLE 5.2 Module

Model: SKB378

Brand Name: N/A

Hardware Version: SKB378_02

Software Version: B0452.00.02

(Name of product, type or model, batch or serial number)

satisfies all the technical regulations applicable to the product within the scope of Council Directives 2014/53/EU, 2014/35/EU and 2014/30/EU; and declare that the same application has not been lodged with any other notified body.

EN IEC 62368-1:2020+A11:2020

EN 50663:2017; EN 62479:2010

ETSI EN 301 489-17 V3.2.4 (2020-09)

ETSI EN 301 489-1 V2.2.3 (2019-11)

ETSI EN 300 328 V2.2.2 (2019-07)

(Title(s) of regulations, standards, etc.)

All essential radio test suites have been carried out.

NOTIFIED BODY: MiCOM Labs Inc

– Address:

575 Boulder Court,

Pleasanton, California 94566

USA

Identification Number: 2280

MANUFACTURER or AUTHORISED REPRESENTATIVE:

– Address:

Skylab M&C Technology Co., Ltd

6/F, Building 9, Lijincheng park, Gongye East Road, Longhua St.

Longhua District, Shenzhen, Guangdong, 518109 China

This declaration is issued under the sole responsibility of the manufacturer and, if applicable, his authorised representative.

Point of contact:

Ivshan, +86-0755-83408160/+86-0755-83458560

(Name, telephone and fax number)

2022-07-11

(Place, date of issue)

Ivshan

(Signature)

Ivshan, manager

(Name and title in block letters)