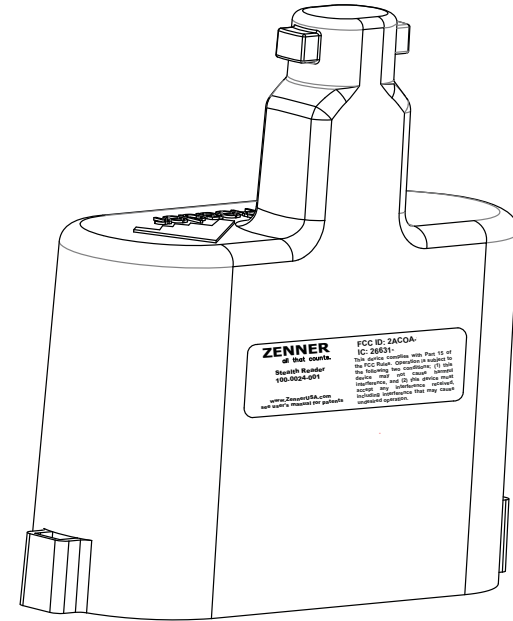
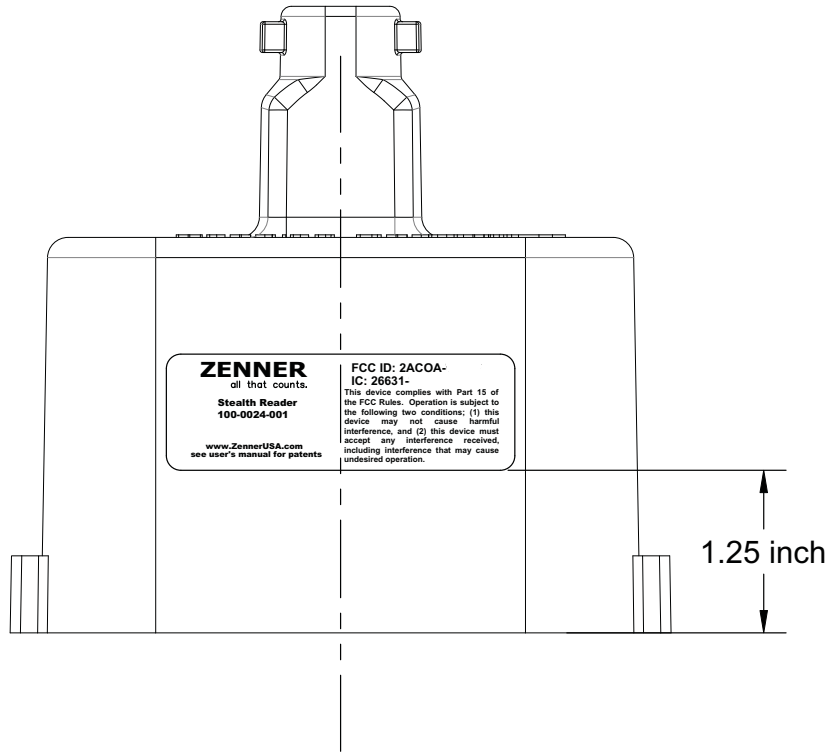


2

1

NOTES: UNLESS OTHERWISE SPECIFIED
 1. INTERPRET DRAWING PER ANSI Y14.5M-1998

REVISIONS					
REV	ECN	ZONE	DESCRIPTION	DATE	APPVD
A			MANUFACTURING RELEASE	10DEC20	EJM



B

B

A

A

		UNLESS OTHERWISE SPECIFIED DIMENSIONS ARE IN INCHES DECIMAL ANGULAR X.X ± .3 ±°0'30" X.XXX ± .003		APPROVALS		15280 Addison Rd Addison, TX 75001 <i>All that counts.</i>	
		THIRD ANGLE PROJECTION		DRW	EJM 10DEC2020		
				CHK	EJM 10DEC2020	FCC and IC Label Location WM3	
				DES	EJM 10DEC2020		
				PM		SIZE	B
PART NUMBER	DESCRIPTION					DWG NUMBER	2ACOA-WM3 Label Location
APPLICATION		MAT'L				REV	A
2						SCALE	N/A
						FILE:	682-0018-000RA.DWG
						SHEET 1 OF 1	

2

1