

4

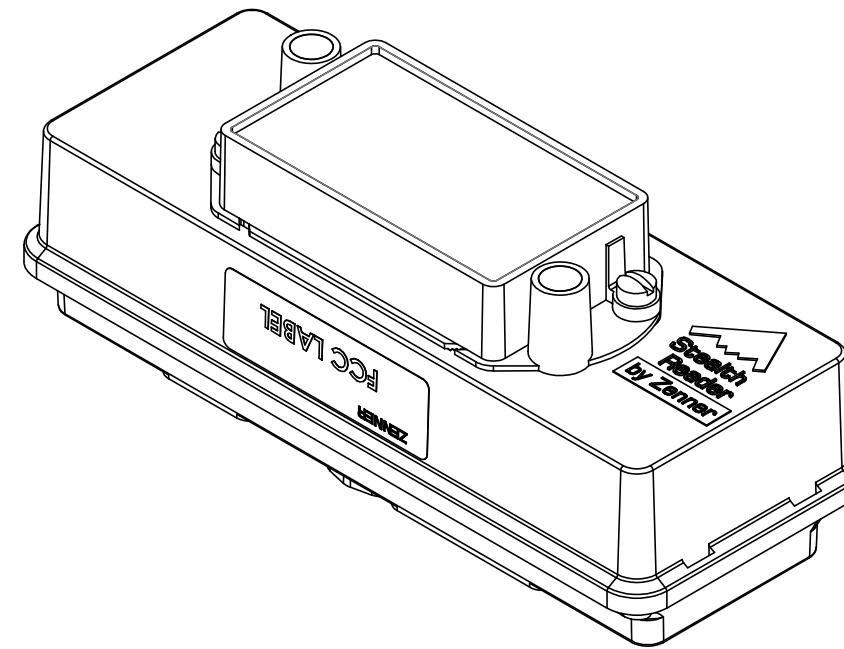
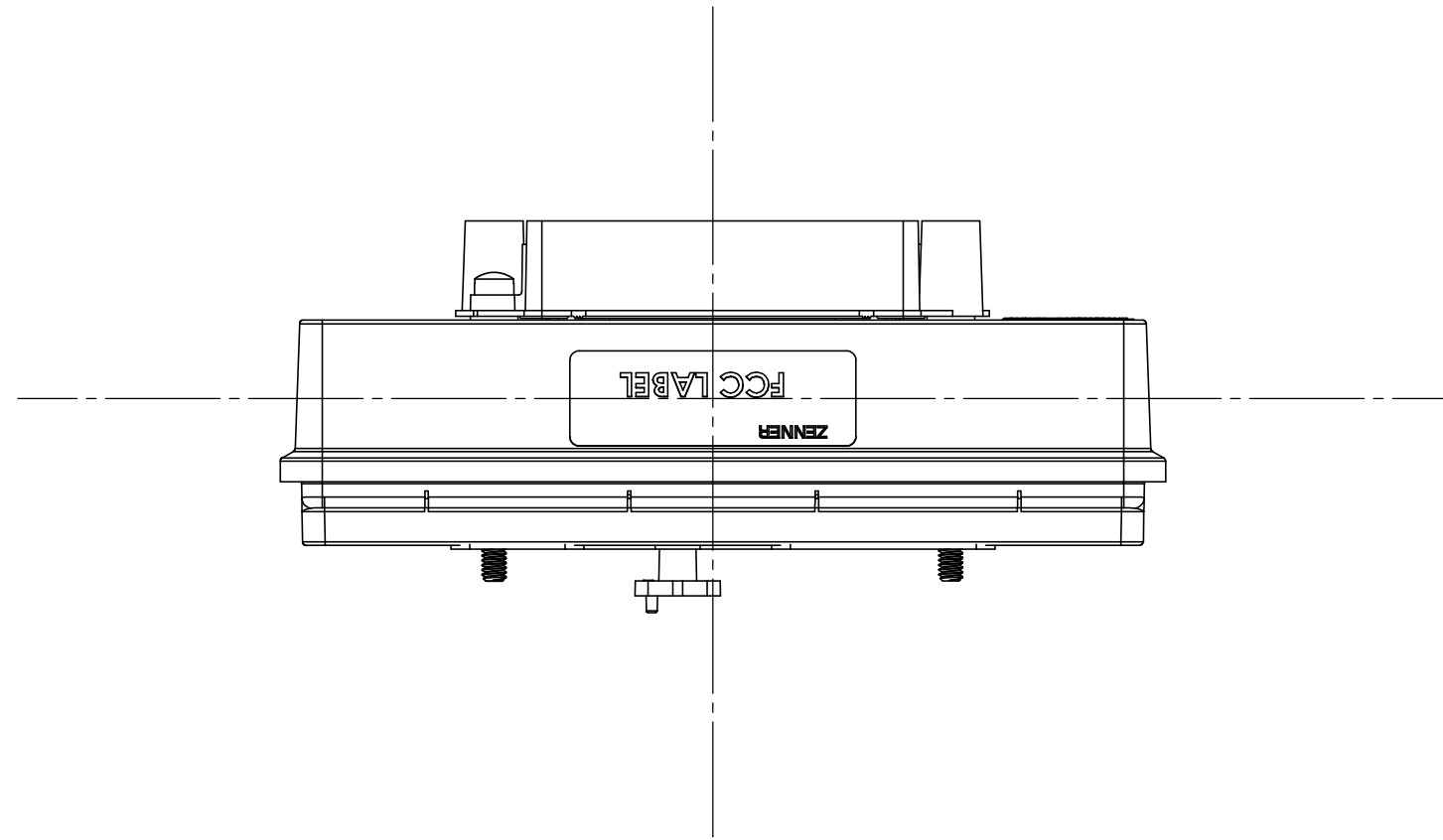
3

2

1

B


B



A

A

PROPRIETARY AND CONFIDENTIAL
 THE INFORMATION CONTAINED IN THIS DRAWING IS THE SOLE PROPERTY OF <INSERT COMPANY NAME HERE>. ANY REPRODUCTION IN PART OR AS A WHOLE WITHOUT THE WRITTEN PERMISSION OF <INSERT COMPANY NAME HERE> IS PROHIBITED.

		UNLESS OTHERWISE SPECIFIED:		NAME	DATE	 15280 ADDISON RD ADDISON, TX 75001
		DIMENSIONS ARE IN INCHES TOLERANCES: FRACTIONAL ± ANGULAR: MACH ± BEND ± TWO PLACE DECIMAL ± THREE PLACE DECIMAL ±		DRAWN	EJM	
		INTERPRET GEOMETRIC TOLERANCING PER:		CHECKED		TITLE: FCC AND IC LABEL LOCATION GM3
		MATERIAL		ENG APPR.		
		FINISH		MFG APPR.		
NEXT ASSY	USED ON			Q.A.		SIZE DWG. NO. REV B 2ACOA-GM3 A
APPLICATION		DO NOT SCALE DRAWING		COMMENTS:		
				SCALE: 1:2 WEIGHT:		SHEET 1 OF 1

4

3

2

1