

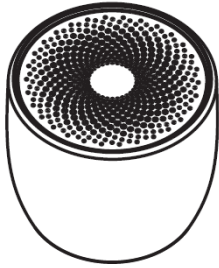
DAVE & BUSTER'S.

User Manual

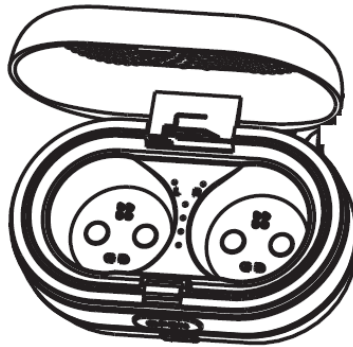
#18830 Portable Wireless Speaker Set



The packaging contains:



① Portable wireless speaker x 2



② Charging stand



③ Carabiner

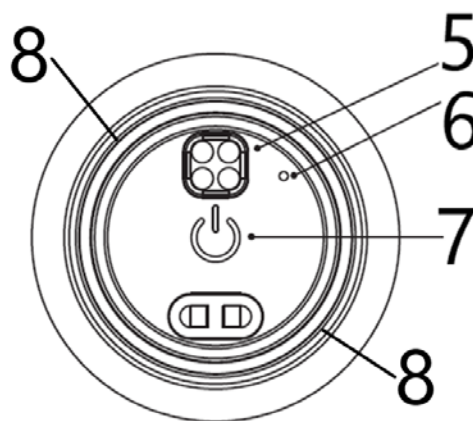


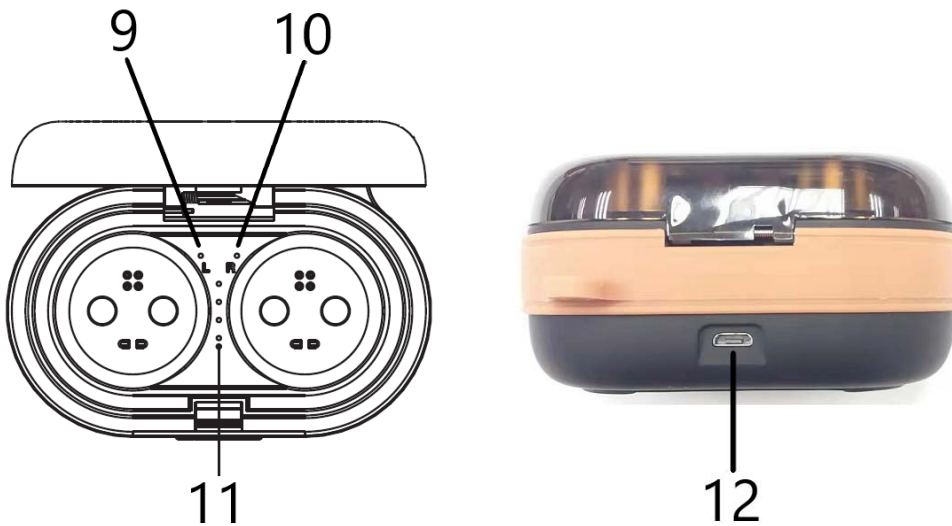
④ USB charging cable



⑤ User manual

Description of functions:





1. Portable wireless speaker set protection cover
2. Portable wireless speaker set protection cover open button
3. Portable wireless speaker set power ON/OFF button (for both wireless speakers pairing)
4. Carabiner hole
5. Portable wireless speaker charging port
6. Microphone (for answering incoming call)
7. Portable wireless speaker power ON/OFF button
8. Portable wireless speaker LED indicators
9. Left portable wireless speaker charging LED indicator
10. Right portable wireless speaker charging LED indicator
11. Charging stand 4-LED indicators
12. Charging stand micro USB input port

User guide:

Power source:

1. This portable wireless speaker set is powered by li-ion rechargeable battery with a built-in battery capacity of 200mAh on each portable wireless speaker and 1000mAh on charging stand.
2. Charging the charging stand: Use the USB charging cable provided and insert the micro USB plug into the charging stand micro USB input port. Insert the other side of the USB plug to the power bank (not included), notebook or PC's USB port. The charging stand LED light indicators will turn on in blue and start flashing. Once the charging stand is fully charged (it will take approx. 2-hour, depending on the charging equipment), all charging stand 4-LED indicators will turn on in blue color and stop flashing. Once the charging stand is fully charged, remove the micro USB plug from the charging stand micro USB input port and remove the USB plug from the power bank (not included), notebook or PC's USB port immediately.

Energy of charging stand: 1-LED indicator turned on in blue = Approx. 25% energy. 2-LED indicators turned on in blue = Approx. 50% energy. 3-LED indicators turned on in blue = Approx. 75% energy. All 4-LED indicators turned on in blue = Approx. 100% energy.

3. Charging the portable wireless speaker set: Place the two portable wireless speakers into the charging stand. The left and right portable wireless speaker charging LED indicators will turn on in red. At the same time, the charging stand LED indicator (s) will also turn on in blue. Once the portable wireless speaker (s) is fully charged (it will take approx. 1.5-hour), the portable wireless speaker charging LED indicator (s) will turn off. At the same time, the charging stand LED indicator (s) will turn off too.

Note: Both portable wireless speakers may not fully charged at the same time.

4. When the portable wireless speaker set under operation, if you hear a message "Battery low" frequently from both speakers or any one of speaker, it means that speaker (s) battery power is almost exhausted. Please re-charge the speaker (s) immediately.

NOTE: If the battery power of both portable wireless speakers or any one speaker is totally exhausted, the speaker (s) and the speaker's LED indicator (s) will turn off automatically.

To pair the portable wireless speaker set and connect to the wireless device:

1. To pair the portable wireless speaker set. Press and hold the portable wireless speaker set power ON/OFF button (on the charging stand) in approx. 2-second. You will hear a short melody and both portable wireless speakers of 2-LED indicators (on the bottom of each speaker) will turn on in blue color and flashing. After approx. 5-second, both portable wireless speakers will connect together automatically and you will hear an audible sound.

To connect the wireless device. Turn on the wireless mode from the smartphone, tablet, or any other devices, which have wireless mode function. Search the pairing name of "18830" and confirm pairing. The portable wireless speaker set will connect to the wireless device successfully and you will hear an audible sound from the portable wireless speaker set. Press the portable wireless speaker set protection cover open button once. The protection cover will open. Now, you can enjoy the music from the portable wireless speaker set. Or, you can take out both portable wireless speakers from the charging case and placed on the flat area.

Note: The portable wireless speaker set has an automatic wireless connection function. When a connected smartphone, tablet, or other wireless device turns on the wireless function, the portable wireless speaker set will actively connect to the last connected device.

2. If the portable wireless speaker set fails to pair, it may be paired with another mobile, tablet or device. In this case, deactivate the wireless function from your mobile, tablet or other device and reactivate the wireless function again. Repeat the above steps for pairing. It should work.
3. The portable wireless speaker set will auto power off in approx. 5-minute if there is no connection to the wireless device. You will hear an audible sound and all LED indicators on the portable wireless speaker set will turn off.
4. Use a single portable wireless speaker: If you just wanted to use a single portable wireless speaker, press the portable wireless speaker set protection cover open button once. The protection cover will open. Take out any one powered off portable wireless speaker from the charging stand. Press and hold the portable wireless speaker power ON/OFF button (on the bottom of speaker) in approx. 2-second. You will hear a short melody and the 2-LED indicators (on the bottom of speaker) will turn on in blue color and flashing. To connect the wireless device, repeat the above pairing steps and you can enjoy the music from the single wireless speaker.

Note: The single speaker wireless speaker also has an automatic wireless connection function. When a connected smartphone, tablet, or other wireless device turns on the wireless function, the single wireless speaker will actively connect to the last connected device.

A single portable wireless speaker will auto power off in approx. 5-minute if there is no connection to the wireless device. You will hear an audible sound and all LED indicators on the portable wireless speaker will turn off.

When one of the powered on portable wireless speaker connected to the wireless device and under operation. If you want to pair the power off one, press and hold the power off portable wireless speaker power ON/OFF button (on the bottom of speaker) in approx. 2-second. You will hear a short melody and the wireless speaker 2-LED indicators (on the bottom of speaker) will turn on in blue color and flashing. Both portable wireless speakers will pair automatically in approx. 2-second.

To operate:

1. If you receive an incoming call when the portable wireless speaker set (or, single pc speaker) is playing music, press the portable wireless speaker power ON/OFF button (on the bottom of speaker) once to answer the call. Or, to reject the call, press and hold the portable wireless speaker power ON/OFF button (on the bottom of speaker) in approx. 1-second. To finish the phone call, press the portable wireless speaker power ON/OFF button (on the bottom of speaker) once again.
2. Last telephone no. redial: Press the portable wireless speaker power ON/OFF button (on the bottom of speaker) 2-time.

NOTE: The wireless speaker may not replay the music automatically after the incoming call or last telephone no. redial. It depends on the wireless device. If it is happening, press the portable wireless speaker power ON/OFF button (on the bottom of speaker) or press the ► button from your wireless device to resume the music.

CAUTION: To avoid hearing damage, pls do not listen to the music in high volume for a long period of time.

3. To turn off the portable wireless speaker set: When both portable wireless speakers in the charging case, press and hold the portable wireless speaker set power ON/OFF button (on the charging case) in approx. 2-second. You will hear "Power off". Both portable wireless speakers will power off and all portable wireless speaker LED indicators will turn off. Or, you can take out any one portable wireless speaker from the charging case. Press and hold the portable wireless speaker power ON/OFF button (on the bottom of speaker) in approx. 2-second. You will hear power off. Both portable wireless speakers will power off and all portable wireless speaker LED indicators will turn off.

Technical specification:

1. Working distance: Approx. 10 metres (open area)
2. Speaker size: 28 mm (Dia) x 2

3. Speaker output: 3W x 2
4. Input voltage: DC5V / 310 mA
5. Speaker battery capacity: 200 mAh (each speaker)
6. Charging stand battery capacity: 1000 mAh
7. Max. play music time: Approx. 3-4 hours
8. Speaker size: 34 (Dia) x 30 (H) mm
9. Charging stand size: 103 (L) x 56 (D) x 48 (H) mm

Safety instructions:

- Read this manual carefully before use, keep this manual for future reference.
- This portable wireless speaker set is not a toy, keep out of reach of children.
- Please keep away from wet, damp and high temperature conditions.
- Always place the portable wireless speaker set in a dry, clean and cool area.
- Do not disassemble or modify the portable wireless speaker set by yourself.
- Never attempt to repair by yourself, please seek a professional.
- Do not place the portable wireless speaker set near heat source or naked flame.
- Pls do not connect the portable wireless speaker set to any wall charger or adapter. The product may malfunction.
- Incorrect use will damage the portable wireless speaker set.
- To clean the portable wireless speaker set, pls use a dry cloth to clean the product surface only.

FCC Warning:

This device complies with part 15 of the FCC Rules. Operation is subject to the following two conditions: (1) this device may not cause harmful interference, and (2) this device must accept any interference received, including interference that may cause undesired operation. Any changes or modifications not expressly approved by the party responsible for compliance could void the user's authority to operate the equipment.

NOTE: This equipment has been tested and found to comply with the limits for a Class B digital device, pursuant to Part 15 of the FCC Rules. These limits are designed to provide reasonable protection against harmful interference in a residential installation. This equipment generates, uses and can radiate radio frequency energy and, if not installed and used in accordance with the instructions, may cause harmful interference to radio communications. However, there is no guarantee that interference will not occur in a particular installation. If this equipment does cause harmful interference to radio or television reception, which can be determined by turning the equipment off and on, the user is encouraged to try to correct the interference by one or more of the following measures:

- Reorient or relocate the receiving antenna.
- Increase the separation between the equipment and receiver.
- Connect the equipment into an outlet on a circuit different from that to which the receiver is connected.
- Consult the dealer or an experienced radio/TV technician for help.

Radiation Exposure Statement

The device has been evaluated to meet general RF exposure requirement. The device can be used in portable exposure condition without restriction.

FCC ID: 2ACO3-18830



Made in China