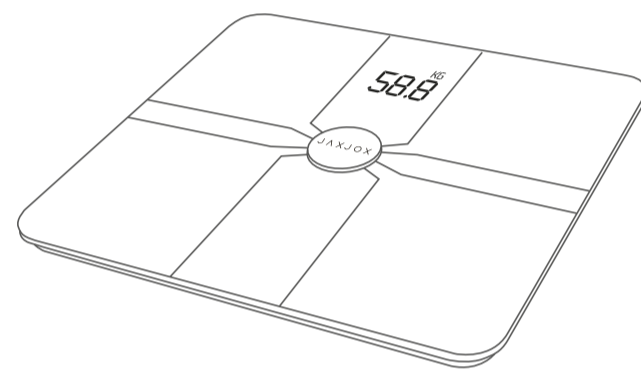


98mm

144mm

USER MANUAL

JAXJOX smart scale



Thank you for purchasing the JAXJOX Activity Tracker. This device is compatible with Android and iOS devices. It can help you reach your physical goals by conveniently allowing you to measure body weight, body fat, body water, muscle mass, BMI(Body Mass Index), BMR(KCAL), bone mass, and visceral fat.

IMPORTANT: please read, understand and comply with all the instructions provided in this manual before using the device. Failure to comply with the instructions given in the manual or using this scale in ways other than the ones mentioned in this manual may result in injury to yourself or damage to the scale.

RECORDED PARAMETERS

- | | | |
|---------------|------------------------|--------------|
| 1.Body weight | 2.Body fat | 3.Body water |
| 4.Muscle mass | 5.BMI(Body mass index) | 6.BMR(KCAL) |
| 7.Bone mass | 8.Visceral fat | |

ACCURACY DEVIATION

110lbs+/-0.66lbs	220lbs+/-0.88lbs	330lbs+/-1.1lbs
------------------	------------------	-----------------

INDICATION SYMBOLS

Err2	Body Analyzer Error indicator
Lo	Low Battery indicator
Err	Overload Indicator

CLEANING

- Clean with a damp cloth and wipe down using a dry cloth.
- DO NOT use detergents/cleaning agents to clean the scale. Doing so may permanently damage the plating on the electrodes used to measure body fat.

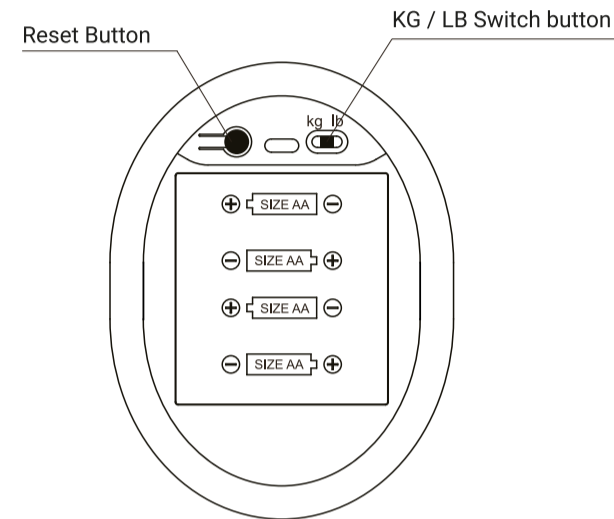
INSTALLING BATTERY

- Turn scale over.
- Place batteries (4xAAA) correctly into the battery slots.
- Please change batteries when "Lo" low battery indicator appears on the screen.

1

* If the user encounters a system error or programme crash, press the reset button in the top left corner.

* After choosing unit measurement "ST:LB" on the app, the scalescreen will show "LB" on the screen.



WARNING

- DO NOT use with medical implants such as pacemakers.
- DO NOT stand on the edge of the scale or jump on it.
- DO NOT overload the scale (Maximum 400lb/180kg).
- Not recommended for women who are pregnant, the measurements will be incorrect.
- Any measurement obtained using this device is for reference only and should not be considered as a medical opinion.
- Consult your primary care doctor or physician before making changes to your diet, exercise plans or physical activities.
- Always place scale on a hard, dry and flat surface before measurement.
- Make sure your feet are dry before stepping on the scale.
- Connect the batteries in accordance with the correct polarities indicated.
- Remove batteries if the scale is not to be used for a prolonged period of time.

SPECIFICATIONS

- 94x56mm LCD Display with back-light
- Measurement unit: kg / lb
- Unlimited user groups
- Results are displayed graphically
- Three corporeity levels: Ordinary, Amateur, Professional
- Capacity:400lb./180kg
- Minimum weight:11lb
- Muscle-Mass measurement graduation:0.2lb/0.1kg
- Weight measurement graduation:0.2lb/0.1kg
- Fat measurement graduation:0.1%
- Water-mass measurement graduation:0.1%
- Bone-mass measurement graduation:0.2lb/0.1kg
- Age range:10-100
- Height range:3' 3" -8' 4" ,100-255cm
- Operating humidity:20%-90%
- Operating temperature:50-104°F
- Storage temperature:50-122°F
- Power:DC6V(4AA Batteries)

3

General Information and Important Tips

This device utilizes BIA (Bioelectrical Impedance Analysis) technology. Bioelectrical impedance technology makes the measurements listed above more accurate by taking advantage of the conductive composition of muscle and water contents within the body. The device sends harmless signals through the body to measure the overall body-impedance which is increased due to fat composition and lowered by the conductive muscles and water in the body.



Correct Disposal of this product. This marking indicates that this product should not be disposed of with other household wastes throughout the EU. To prevent possible harm to the environment or human health from uncontrolled waste disposal, recycle it responsibly to promote the sustainable reuse of material resources. To return your used device, please use the return and collection systems or contact the retailer where the product was purchased. They can take this product for environmental safe recycling.

4

App Operation Instruction

Supported Devices

iOS devices: iPhone5, iPad, iPad Mini or higher

Android devices: Android 4.3 or higher with Bluetooth 4.0 or higher with devices memory no less than 1GB

How to install the JAXJOX APP

Search "JAXJOX" in the App store or Google Play

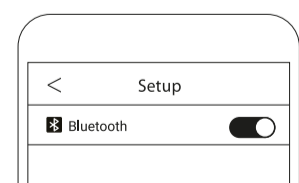


JOXJOX APP icon

Connect to the App

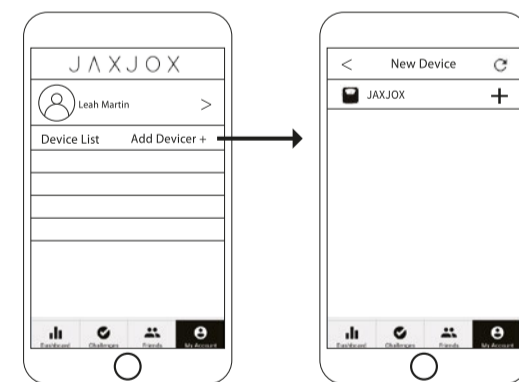
First Time Connection

- Turn on the Bluetooth: Setup - Bluetooth - Turn on the Bluetooth
- Do not try to find or pair with the device on this page.



5

- Open the App, register an account for the 1st time use, fill in your personal profile, enter My Account page, click: Add device+, enter the searching page, select the found device: JAXJOX



- Select Dashboard page to check the body weight, click the weight option to check history data.



6

- Set target: In the history page, click the icon " @ " in the up right corner to set.



Frequently asked questions and solutions

1.How do I recalibrate the scale after moving it?

* The scale needs to be recalibrated every time it is moved. If the scale is moved, the battery changed, or even being used for the first time, please follow the procedure below:

Step on the scale to turn it on. Let it automatically drop to 0.0kg/0.0lb.

The calibration is complete.

Note: The scale will be inaccurate if it is not calibrated regularly.

2.Display indicates "Err" when weighing

* The weight has exceeded the scale's maximum capacity.

* When overloaded, do not stand on the scale for a long time, the service life of the sensors will be shortened.

7

3.Display indicates "Err2" when measuring body fat

- * Body parameter setting is incorrect.
- * Correct settings: Height 100cm-255cm,3ft:3in-8ft:4in, Age 10-100 years old.
- * Underweight less than 30kg/66lb.
- * Feet or scale are too wet.

4. No body fat data measured when weighing

- * User must be barefoot to measure body fat.
- * Body parameter setting is incorrect.
- * Correct settings: Height 100cm-255cm (3ft:3in-8ft:4in), Age 10-100 years old.
- * Bluetooth is not turned on.
- * Bluetooth is paired with a different scale.

5. Bluetooth not connected.

- * The application and scale must both have Bluetooth turned on.
- * Device's Bluetooth function is not open. Open Bluetooth and restart the app.
- * For Android devices: go to System Settings ->Bluetooth->Cancel the paired Bluetooth devices and reconnect with the scale.
- * Check the phone model, the phone must be higher than iPhone 4S, iPad3, or iPad Mini for iOS. For Android models, phones must be Android 2.3 or higher.

6.The scale is producing inconsistent weights

- * Check whether the scale is on a hard, flat surface.
- * Check each sensor foot to make sure nothing is stuck to the bottom of it.
- * Remove the battery to restart the scale.

7. The app is displaying the incorrect fat-muscle ratio

* A body parameter setting is incorrect, check to make sure you entered the correct gender, height and corporeity level.

8. Only weight and BMI are displayed

- * Only use the scale with bare feet when measuring other parameters such as body fat or bone mass.
- * Make sure your feet and the scale are both dry.

9. The scale does not turn on

- * Remove the battery and put it back in. Make sure to install the battery in the correct direction.

8

10.The display reads "0" even when there is a small amount of weight on it

- * The minimum weight the scale can read is 11lb/5kg.

* Maintenance

- * Do not keep the scale loaded for a long time. This may cause damage to the scale and it will no longer be accurate.
- * Do not put anything on the scale if it is not in use. This will consume power and reduce the lifetime of the scale and batteries.
- * Keep the product clean and dry. Keep away from water. Avoid damaging the inside electric circuit when weighing.
- * Do not drop the product. Avoid risking damaging the scale or breaking the glass.
- * The scale is in lower power when "Lo" is displayed. Please change the batteries immediately. Permanent damage will occur if the scale is kept in a low power mode for a long time.
- * This product is a body analyzer scale for body composition analyzing only. Please do not use for commercial purposes.

This device complies with Part 15 of the FCC Rules. Operation is subject to the following two conditions: 1) this device may not interfere with other devices and 2) this device will accept any interference received, including interference that may cause undesired operation.

JAXJOX®

Zinctex Limited
Centrus Park
Aransson Way
Houghton Regis
LU5 5BN
United Kingdom
help@jaxjox.com

JAXJOX COPYRIGHT ©2016

WWW.JAXJOX.COM

9

FCC Warning

This device complies with Part 15 of the FCC Rules. Operation is subject to the following two conditions:

(1) This device may not cause harmful interference, and (2) this device must accept any interference received, including interference that may cause undesired operation.

NOTE : Any changes or modifications to this unit not expressly approved by the party responsible for compliance could void the user's authority to operate the equipment.