

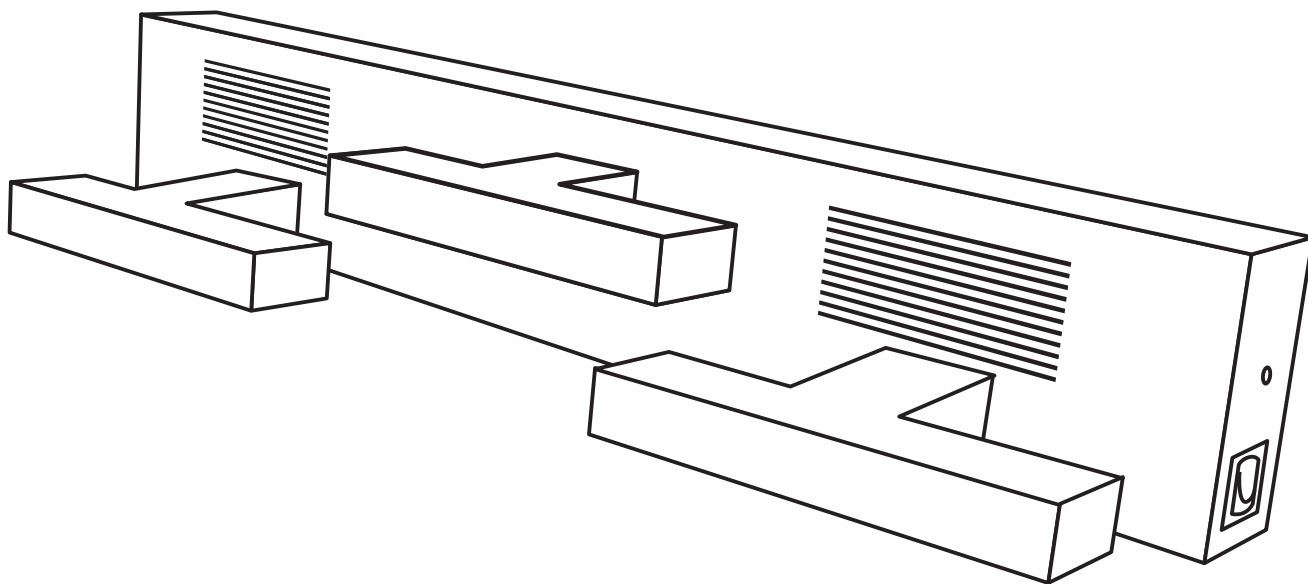
# LIGHT & SOUND BATH VANITY LIGHT

## CONTEMPORARY SLAT 3L SWITCH/NL/BT BLACK CHROME

ITM. / ART. 962793

Model #: 1301-030303-01

### ASSEMBLY, INSTALLATION, AND CARE INSTRUCTIONS



## IMPORTANT, RETAIN FOR FUTURE REFERENCE READ CAREFULLY

All of the safety and operating instructions should be read, adhered to and followed before the unit is operated.

### FEATURES

- Easy to Install.
- Fixture engineered to safely use energy-saving Light Emitting Diodes (LED's).

☑ **NOTE:** This product is an LED light fixture. It contains its own light source and does not require the purchase of light bulbs.

**⚠ WARNING:** To reduce the risk of injury read these instructions thoroughly.

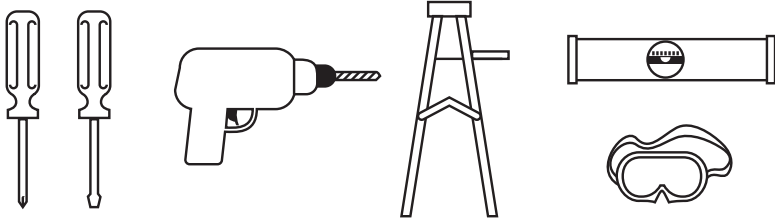
**⚠ WARNING:** Before starting installation of this fixture or removal of an existing fixture disconnect the power by turning off the circuit breaker or by removing fuse at fuse box.

**⚠ WARNING:** Consult a qualified electrician if you have any electrical questions.

## PARTS & SPECIFICATIONS

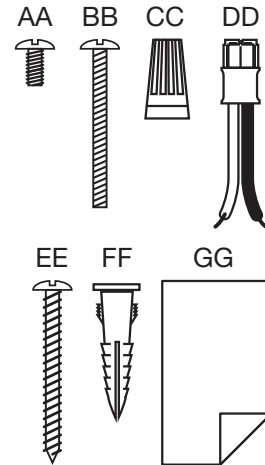
### TOOLS REQUIRED

Phillips Screw Driver  
Flat Head Screwdriver  
Drill (Option 2 only)  
Drill Bit 7mm (9/32") (Option 2 only)  
Ladder  
Level  
Safety Goggles



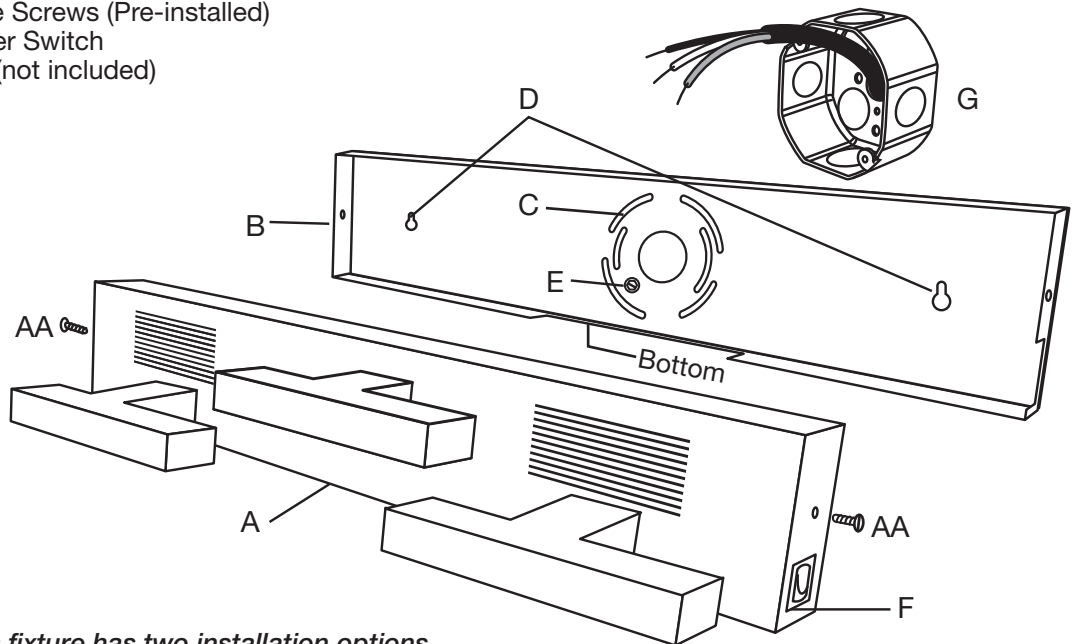
### HARDWARE INCLUDED

AA 2 – Mounting Plate Screws (Pre-installed)  
BB 2 – #8-32 x 1" Electrical Box Mounting Screws (Option 1)  
CC 2 – Wire Nuts  
DD 2 – Capstone Quick Connector (1 Pre-wired; 1 Loose)  
EE 2 – #4 x 1" Self-Tapping Wall Mounting Screws (Option 2)  
FF 2 – Plastic Wall Anchors (Option 2)  
GG 1 – White Cleaning Cloth



### DIAGRAM

A Light Fixture  
B Mounting Plate  
C Electrical Box Screw Hole (Option 1)  
D Wall Mounting Screw Holes (Option 2)  
E Ground Screw (Green, Pre-installed)  
AA Mounting Plate Screws (Pre-installed)  
F ON/OFF Rocker Switch  
G Electrical Box (not included)



### INSTALLATION

**!** **IMPORTANT:** This fixture has two installation options.

**OPTION 1** – ANCHOR TO AN ELECTRICAL BOX

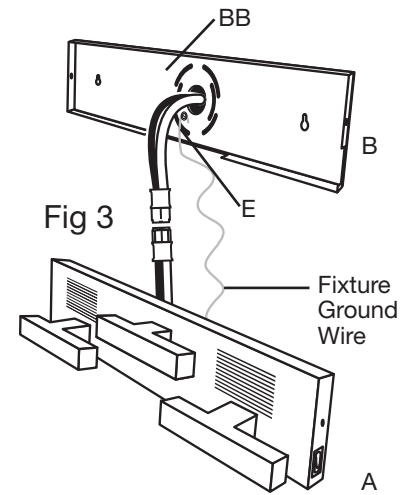
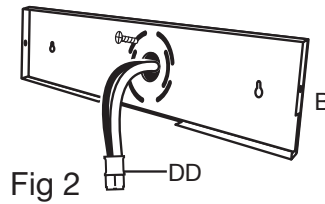
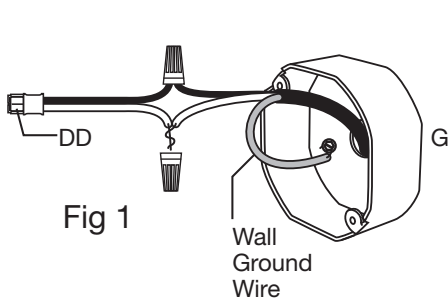
**OPTION 2** – ANCHOR TO A WALL

Both **OPTION**'s require powering the fixture using a standard 4" octagonal recessed electrical box (G).

**!** **WARNING:** Consult a qualified electrician if you have any electrical questions.

**!** **WARNING:** Before starting installation of this fixture or removal of an existing fixture disconnect the power by turning off the circuit breaker or by removing fuse at fuse box.

**!** **IMPORTANT:** Notice the position of cutouts on the Mounting Plate. Cutouts must be positioned correctly for proper mounting.



## OPTION 1 ANCHORING TO AN ELECTRICAL OUTLET BOX

1. If replacing an existing fixture remove.
2. Remove Mounting Plate (B) from Light Fixture (A) by removing pre-installed Mounting Plate Screws (AA).
3. Wire Capstone Quick Connector (DD) to Electrical Box (G) using Wire Nuts (CC) (white wire to white wire / black wire to black wire) and attach Wall Ground Wire to the Electrical Box (Fig 1).
4. Bring Capstone Quick Connector (DD) through center hole in Mounting Plate (B) (Fig 2).
5. Align and anchor Mounting Plate (B) to Electrical Box (G) using Electrical Box Mounting Screws (BB). Make certain the Mounting Plate bottom is facing downward.
6. Connect Capstone Quick Connector (DD) pre-wired to Light Fixture (A) to Capstone Quick Connector (DD) wired to Electrical Box (G) and attach Light Fixture Ground Wire to Ground Screw (E) (Fig 3).
7. Place Rocker Switch (F) in ON position to activate Night Light feature.
8. Align Light Fixture (A) in Mounting Plate (B) and secure with Mounting Plate Screws (AA).

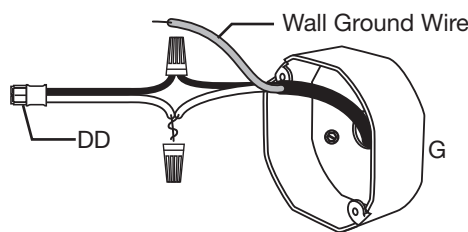


Fig 4

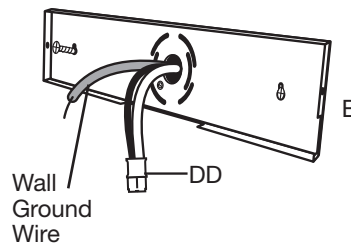


Fig 5

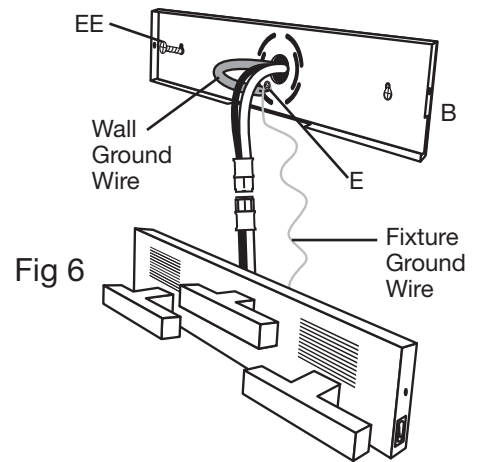


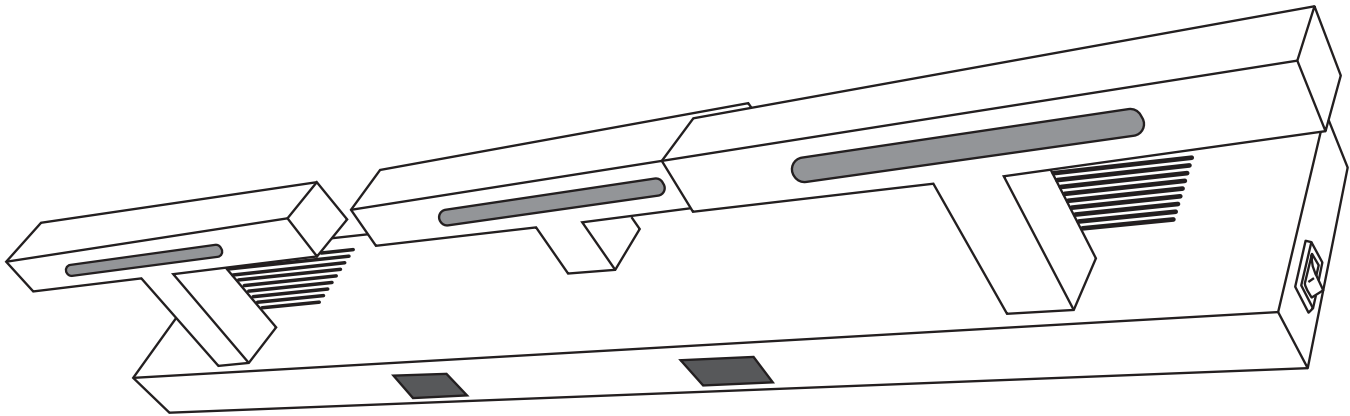
Fig 6

## OPTION 2 – ANCHOR TO A WALL

1. If replacing an existing fixture remove.
2. Remove Mounting Plate (B) from Light Fixture (A) by removing pre-installed Mounting Plate Screws (AA).
3. Align Mounting Plate (B) on wall centering over Electrical Box (G). Make certain the Mounting Plate bottom is facing downward.
4. Mark location of Wall Mounting Screw Holes (D) with pencil/pen.
5. Remove Mounting Plate (B) from wall and drill holes using 7mm (9/32”) drill bit
6. Insert Plastic Wall Anchors (FF).
7. Wire Capstone Quick Connector (DD) to Electrical Box (G) using Wire Nuts (CC) (white wire to white wire and black wire to black wire) (Fig 4).
8. Bring Capstone Quick Connector (DD) and Wall Ground Wire through center hole in Mounting Plate (B) (Fig 5).
9. Anchor Mounting Plate (B) to wall by securing Self-Tapping Wall Mounting Screws (EE) into Plastic Wall Anchors (FF).
10. Connect Capstone Quick Connector (DD) pre-wired to Light Fixture (A) to Capstone Quick Connector (DD) wired to Electrical Box (G) and attach Wall Ground Wire and Light Fixture Ground Wire to Ground Screw (E) (Fig 6).
11. Place Rocker Switch (F) in ON position to activate Night Light feature.
12. Align Light Fixture (A) in Mounting Plate (B) and secure with Mounting Plate Screws (AA).

# LIGHT & SOUND BATH VANITY LIGHT

## CONTEMPORARY SLAT 3L SWITCH/NL/BT BLACK CHROME



### OPERATION

#### **BATH VANITY LIGHT**

- Turn Light Fixture ON/OFF using Wall Switch.
- 900 Lumen brightness (300 Lumen per lamp).
- Turning Light Fixture OFF automatically activates the Night Light *function* when Rocker Switch is in ON position.

#### **NIGHT LIGHT**

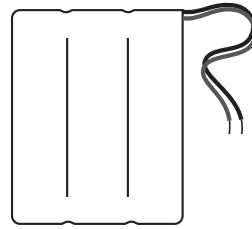
- The Light Fixture has a built in Motion Sensor, night light *feature* powered by a rechargeable battery pack.
- To activate the Night Light *feature* place and leave the Rocker Switch in the ON position.
- Turning the Light Fixture Wall Switch OFF activates the Night Light *function*.
- Night Light turns on automatically when motion is detected in low light.
- 30 Lumen brightness (10 Lumen per lamp).
- Night Light turns off automatically after 90 seconds if no motion is detected.
- Night Light will not turn on during daylight.
- Turning the Light Fixture Wall Switch ON deactivates the Night Light *function*.
- To deactivate the Night Light *feature* place and leave the Rocker Switch in the OFF position.

#### **BLUETOOTH®**

- The Light Fixture has 2 Bluetooth® V2.1 enabled speakers.
- Speakers activate when Light Fixture Wall Switch is in ON position and deactivate when Wall Switch is in OFF position.
- Speakers do not work when Night Light *function* is activated.
- To pair your device to Bluetooth® speakers refer to your device's User Guide.

## REPLACING THE BATTERY PACK

The Night Light is powered by a Li-ion 11.1V 2000mAh rechargeable Battery Pack. To replace follow these steps.



*Li-ion 11.1V 2000mAh  
Battery Pack*

**⚠ WARNING:** Consult a qualified electrician if you have any electrical questions.

**⚠ WARNING:** Before replacing Battery Pack disconnect the power by turning off the circuit breaker or by removing fuse at fuse box.

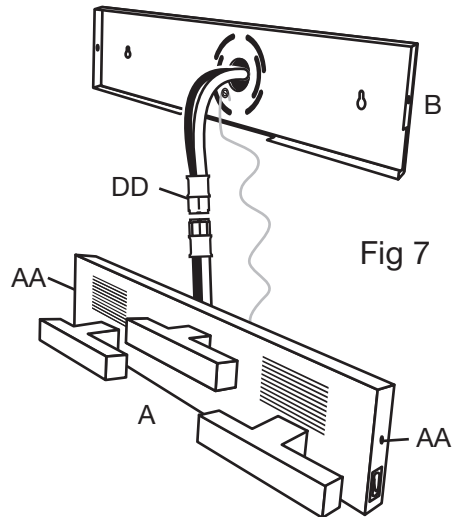


Fig 7

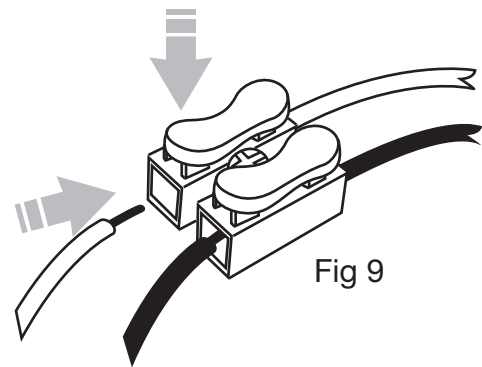


Fig 9

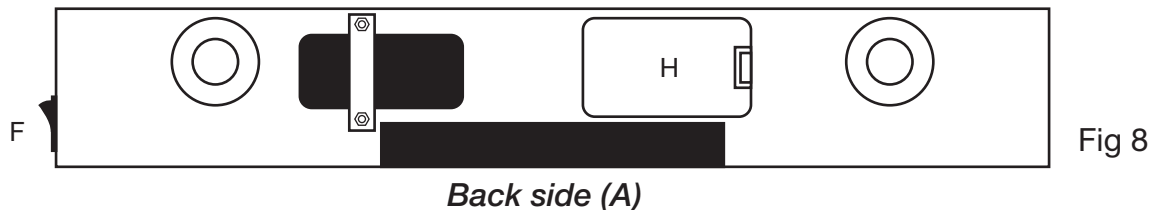


Fig 8

*Back side (A)*

1. Place Rocker Switch (F) in OFF position.
2. Remove Light Fixture (A) from Mounting Plate (B) by removing Mounting Plate Screws (AA) and disconnect Capstone Quick Connectors (DD) and ground wires (Fig 7).
3. Locate Battery Pack Compartment (H) on back of Light Fixture (A) and open (Fig 8).
4. Replace with Li-ion 11.1V 2000mAh rechargeable battery pack. Reattach the battery pack wires using the snap-in connector. Match the black and red wires with the fixture wires. Place the exposed wire into the connector and lock into place using the snap clamp (Fig 9).
5. Close Battery Compartment (H).
6. Reconnect Capstone Quick Connectors (DD) and ground wires (Fig 7).
7. Place Rocker Switch (F) in ON position to activate Night Light feature.
8. Align Light Fixture (A) in Mounting Plate (B) and secure with Mounting Plate Screws (AA).

## **CARE AND CLEANING**

- Clean the Light Fixture with the Cleaning Cloth (GG) included.
- Do not use cleaners with chemicals, solvents or abrasives.

## **TROUBLESHOOTING**

<b>Problem</b>	<b>Possible Cause</b>	<b>Solution</b>
The Light Fixture does not light	The power is off	Ensure the power supply is on
	Faulty wire connections	Check wiring
	The circuit breaker is off	Ensure the circuit breaker is in ON position.
The fuse blows or circuit breaker trips when the Light Fixture is turned on	Crossed wires or power wire is grounding out	Check wire connections
The Night Light does not light in dark area when there is motion	The Rocker Switch is in OFF position	Ensure Rocker Switch is in ON position
The Bluetooth speakers do not work	The Wall Switch is in OFF position	Ensure Wall Switch is in ON position
	The Bluetooth speakers are not paired to the smartphone	Check smartphone User Guide

## **WARNING**

1. For cleaning, use a soft dry cloth.
2. For decorative indoor use only.

## One Year Limited Warranty

Capstone Industries Inc., warrants to the original retail purchaser, this product to be free of defects in material and workmanship for a period of up to one year from date of original purchase.

Warranty applies only to the original purchaser of the product.

Warranty is limited to consumer use and does not cover parts damaged due to normal wear, abnormal conditions, misuse, or accidents, and is limited to repair or replacement only.

This limited warranty does not cover batteries, or any part that may become defective due to mishandling.

Warranty is effective only upon presentation of dated proof of purchase.

Customers are responsible for all postage costs on returned merchandise.

No shipping or handling charges will be reimbursed.

## Limitations on Warranty Disclaimers

There are no warranties which extend beyond the description on the face hereof. This warranty gives you specific legal rights, and you may also have other rights which may vary from state to state.

### **NOTE:**

This equipment has been tested and found to comply with the limits for a Class B Digital Device, pursuant to Part 15 of the FCC Rules.

These limits are designed to provide reasonable protection against harmful interference in a residential installation. This equipment generates, uses, and can radiate radio frequency energy and, if not installed and used in accordance with the instructions, may cause harmful interference to radio communications. However, there is no guarantee that interference will not occur in a particular installation. If this equipment does cause harmful interference to radio or television reception, which can be determined by turning the equipment off and on, the user is encouraged to try to correct the interference by one or more of the following measures:

- Reorient or relocate the receiving antenna.
- Increase the distance between the equipment and receiver.
- Connect the equipment to an outlet on a circuit different from that to which the receiver is connected.
- Consult the dealer or an experienced radio/TV technician for help.

This equipment complies with Part 15 of the FCC Rules. Operation is subject to the following two conditions:

- 1) This device may not cause harmful interference.
- 2) This device must accept any interference received, including interference that may cause undesired operation.

Warning: Changes or modifications to this unit not expressly approved by the party responsible for compliance could void the user's authority to operate the equipment.



For assistance with assembly or installation, parts and customer service,  
please do not return to retailer - contact Capstone CUSTOMER SERVICE at:

USA Toll Free: 1-888-570-8889 (English only)

Hours of Operation: Monday - Friday

9AM - 5PM EST

mail: [info@capstoneindustries.com](mailto:info@capstoneindustries.com)

website: [www.capstoneindustries.com](http://www.capstoneindustries.com)

### **Protecting the Environment - Recycle It**

Responsibly recycling these products saves natural resources and protects human health through reuse of reclaimed resources. Please call your local waste management company for vendors in your immediate area.