

## 產品內容/基本指令

### AR-331E/F

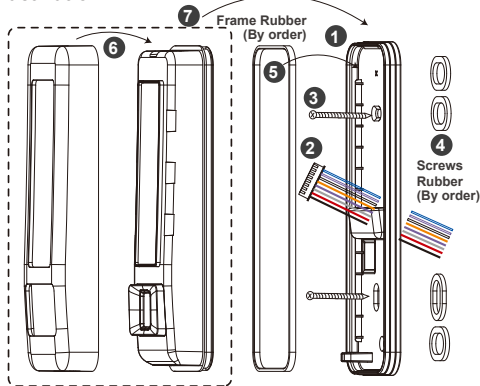
## 指示燈號 / Indicators

H/E/EF		H/E/EF/U/K	
Left LED	Description/說明	Right LED	Description/說明
Blue	Arming / Blue LED Input (Active High) 警戒/藍LED輸入控制	Green	Power-on/Stand-by /OK 電源/操作正確/待機
Yellow	Yellow LED Input (Active High) 警戒/黃LED輸入控制	Red	Error/Alarm 操作錯誤/發警報



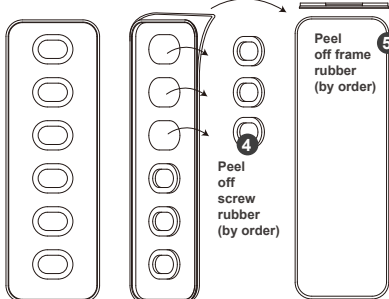
通電時人體離開面板10秒以確保案件啟動。

While power on the device, hands off the touch panel for 10 sec. to make sure a successful activation.



Put on/Take off together

Notch faces to Back-Panel



## //Basic Commands

指令 / Commands	功能	Function
* 123456 #	進入編輯模式	Enter Programming Mode
09 * 654321654321 # (Input 6-digit password twice)	更改編輯密碼	Enter Programming Mode
* #	離開編輯模式	Exit program mode
* * #	離開編輯模式 同時進入警戒模式	Exit program mode and enter arming mode
(E/EF series) 00 * NNN * MMM * AAA # (Node ID*Main Door NO.*WG Door NO.)	設定控制器站號 (站號*E/EF門號*WG門號)	Node ID setting
(H series) 00 * NNN # (Node ID)	設定控制器站號 門禁控制器接於716E底下	Node ID setting (Connected to 716E)
00 * NNN * VVV * nnn # (716E Node ID*Virtual Dr NO.*Reader Dr NO.)	設定控制器站號 直接與電腦連線<不經由716E>	Node ID setting (Connected to the PC directly without 716E)
(E/EF series) 02 * U * 007 # (H series)	設定開門繼電器動作時間 預設: 007=7秒 (輸入601-609=0.1-0.9秒)	Door Relay Time setting (Default Value: 007=7 sec.) (601-609=0.1-0.9 sec.)
02 * 007 #	設定警報繼電器動作時間 預設: 015=15秒	Alarm Relay Time setting (Default Value: 015=15 sec.)
(H series) 04 * N # (N=4/6/8=Mode 4/6/8)	設定H系列控制器模式	Control mode setting (For H series only)
10 * SSSS * EEEE # (For example 00001 * 00005) (Starting User Addr. * Ending User Addr.)	將使用者位置設為無效 * 暫停使用者位置 (開始位置 * 結束位置)	Suspend / Delete User * Suspend user address (Able to recover by command 11)
10 * SSSS 9 EEEE # (Starting User Addr. 9 Ending User Addr.)	刪除使用者位置 (開始位置 9 結束位置)	9 Delete user address
11 * SSSS * EEEE # (Starting User Addr. * Ending User Addr.)	恢復所暫停使用者位置 (開始位置 * 結束位置)	Recover Tag User
12 * SSSS * 1111 # (Card or PIN: User Addr. * 4-digit password)	設定各使用者的進出密碼 (進出模式:讀卡或密碼)	Set up User PIN (Card or PIN range: 1111-9999)
13 * SSSS * 2222 # (Card + PIN: User Addr. * 4-digit password)	設定各使用者的進出密碼 (進出模式:讀卡加密碼)	Set up User PIN (Card + PIN range: 1111-9999)
15 * 1234 # (Default Value: 1234, 0000=Disable)	設定M4/M8的求援密碼; 或M6的共同密碼(通行模式為讀卡或密碼)	M4/M8:Duress code setting M6:Public PIN setting for access mode "Card or PIN"
17 * 4321 # (Default Value: 4321, 0000=Disable)	設定M4/M8的求援密碼; 或M6的共同密碼(通行模式為讀卡加密碼)	M4/M8:Arming PWD setting M6:Public PIN setting for access mode "Card & PIN"
19 * UUUUU * QQQQ # (User Address * Card Q'ty)	以感應方式設定卡片 (U-使用者位置*Q=00001 以每次感應1張方式加卡)	Add card by presenting (Q'ty=00001 =Continuously inducting)
(H series M6 only) 22 * N # (N=0=Delete/ N=1=Add)	感應方式刪除/增加卡片 (N=0=刪除 / N=1=增加)	Add/Delete tag by presenting
29 * 29 * #	清除所有卡片資料	Delete all tags
29 * 20 * #	H系列清除所有卡機設定	Delete all setting of H
29 * 299 * #	E/EF系列清除所有卡機設定	Delete all setting of E/EF

## Steps of Ferrite Core Installation

### Power DC Input cable

1. Open up the Ferrite Core box
2. To wind the DC in Cable around the Ferrite Core two times
3. The close up the Ferrite Core



## 產品內容/基本指令

### AR-331E/F

#### //新增卡片設定說明

- 進入編輯模式 按 \* 123456 #
- 更改編輯密碼 (請連續輸入新6位數密碼2次)  
按 09 \* 654321654321
- 以感應方式設定卡片  
(請記錄各使用者位置及其卡號)  
用戶址範圍: 00000~03000  
M4/M8模式  
按 19 \* 00001 \* 00001  
M6模式 (17\*0000#要設定) 按 22 \* 1 #
- 卡片依序一張張在卡機上感應
- 使用密碼進出 (讀卡或密碼)  
PIN=0000 為停用密碼  
M4/M8模式 (依進入編輯模式時警響數, 判模式, 例:4聲為M4, 8聲為M8)  
按 12 \* 00001 \* 1234  
M6模式 按 15 \* 1234 \*
- 使用讀卡加密碼進出  
PIN=0000 為停用密碼  
M4/M8 模式 按 13 \* 00001 \* 4321  
M6模式 (17\*0000#要設定)  
按 17 \* 4321 #
- 設定開門繼電器時間 按 02 \* 007 #
- 設定開門等待時間 按 18 \* 015 #
- 離開編輯模式 按 \* #

#### //移除卡片設定說明

- 進入編輯模式 按 \* 123456 #
- 更改編輯密碼  
(請連續輸入新6位數密碼2次)  
按 09 \* 654321654321 #
- 移除卡片  
用戶址範圍: 00000~03000  
M4/M8模式 & M6模式  
按 10 \* 00001 \* 00005 #
- 移除所有卡片資料 按 29 \* 29 \* #
- 恢復出廠預設值  
(清除所有卡片及參數資料)  
按 29 \* 20 \* #
- 使用密碼進出 (讀卡或密碼)  
PIN=0000 為停用密碼  
M4/M8模式 (依進入編輯模式時警響數, 判模式, 例:4聲為M4, 8聲為M8)  
按 12 \* 00001 \* 1234 #  
M6模式 按 15 \* 1234 \*
- 使用讀卡加密碼進出  
PIN=0000 為停用密碼  
M4/M8 模式 按 13 \* 00001 \* 4321 #  
M6模式 (17\*0000#要設定) 按 17 \* 4321 #
- 設定開門繼電器時間 按 02 \* 007 #
- 設定開門等待時間 按 18 \* 015 #
- 離開編輯模式 按 \* #


#### //Add Card Commands

- Enter Programming Mode Press \* 123456 #
- Change program code Input 6-digit PWD twice  
Press 09 \* 654321654321 #
- Add Card User  
(Please list down each User Address and its Card ID)  
User Range: 00000~03000  
M4/M8 Mode Press 19 \* 00001 \* 00001 #  
M6 Mode (Must set up 17\*0000#)  
Press 22 \* 1 #
- Attach/Present Card One by One
- Add PIN User PIN=0000 (Disable)  
M4/M8 Mode (4/8 beepwhile engtering progrm mode)  
Press 12 \* 00001 \* 1234 #  
M6 Mode  
Press 15 \* 1234 \*
- Add Card+PIN User PIN=0000 (Disable)  
M4/M8 Mode  
Press 13 \* 00001 \* 4321 #  
M6 Mode (Must set up 17\*0000#)  
Press 17 \* 4321 #
- Set up Door Relay Time Press 02 \* 007 #
- Set up Door Close Time Press 18 \* 015 #
- Exit program mode Press \* #

#### //Delete Card Commands

- Enter Programming Mode Press \* 123456 #
- Change program code Input 6-digit PWD twice  
Press 09 \* 654321654321 #
- Delete Card User User Range: 00000 ~ 03000  
M4/M8 Mode Press 10 \* 00001 \* 00005 #  
M6 Mode Press 10 \* 00001 \* 00005 #
- Delete All User Cards Press 29 \* 29 \* #
- Reset to Factory Default Value  
(Delete all cards and parameters)  
Press 29 \* 20 \* #
- Add PIN User PIN=0000 (Disable)  
M4/M8 Mode (4/8 beepwhile engtering progrm mode)  
Press 12 \* 00001 \* 1234 #  
M6 Mode  
Press 15 \* 1234 \*
- Add Card+PIN User PIN=0000 (Disable)  
M4/M8 Mode Press 13 \* 00001 \* 4321 #  
M6 Mode (Must set up 17\*0000#)  
Press 17 \* 4321 #
- Set up Door Relay Time Press 02 \* 007 #
- Set up Door Close Time Press 18 \* 015 #
- Exit program mode Press \* #

#### //指紋建檔/刪除


- 登入:  
進入編輯模式 → 3 9 \* F \* UUUUU #  
(F=1/2/3 建立指紋枚數; UUUUU:要建立的使用者位置)
- 登入操作方式(請依提示音操作):  
建立1枚指紋 →  先放手 → 嗶 (聽到嗶後, 移開手指, 同手指重複放置3次) → 高音長嗶(成功建檔)
- 建立2/3枚指紋 → 重複以上步驟

- 刪除單筆:  
進入編輯模式 → 3 9 \* 0 \* UUUUU #
- 刪除全部:  
進入編輯模式 → 3 9 \* 9 \* 99999 #

#### //指紋或卡片管制型態設定

- 進入編輯模式 → 4 0 \* F \* SSSSS #  
EEEE #  
(SSSSS=開始使用者位置; EEEEE=結果使用者位置)
- 組合式指令設定:  
方式一: 通行方式先指紋後卡片  
→ 4 0 \* 1 \* SSSSS \* SSSSS #  
4 0 \* 3 \* SSSSS \* EEEEE #  
方式二: 通行方式僅指紋/僅卡片  
→ 4 0 \* 0 \* SSSSS \* EEEEE #  
→ 4 0 \* 2 \* SSSSS \* EEEEE #

#### //Adding / Deleting Fingerprint

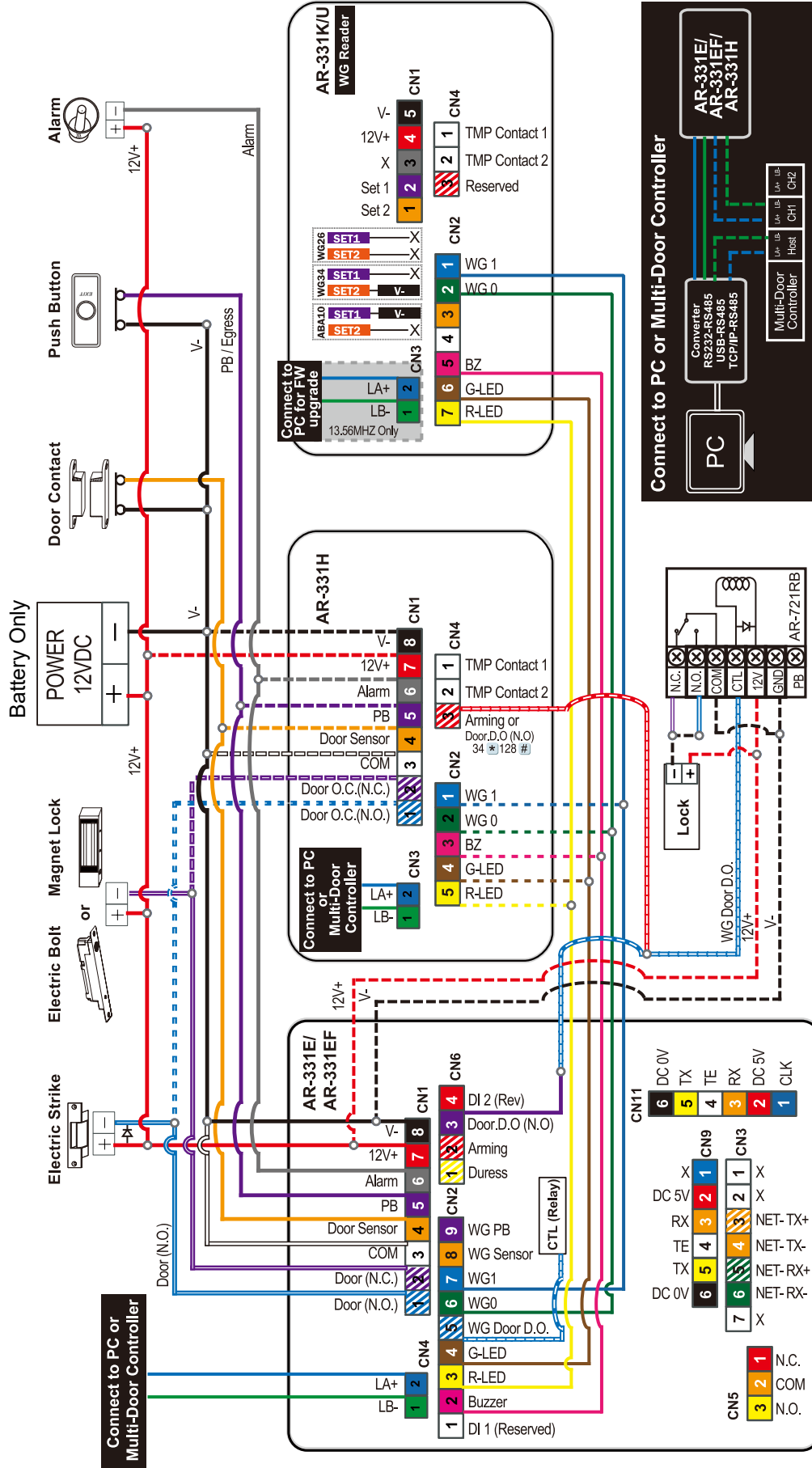
- Adding  
Access programming mode → 3 9 \* F \* UUUUU # Place your finger on the sensor (F=1/2/3, Number of fingerprin per user; UUUUU=User address)
- How to add a finger data:  
Adding 1 Fingerprint →  Put 1st Finger  
→ B1 (After B1 sound, please remove the the finger from unit. Each finger shall collect for 3 times)  
→ Long B1(OK)
- Adding 2nd/3rd Fingerprint → Repeat 1st finger process
- Deleting  
Access programming mode → 3 9 \* 0 \* UUUUU # (UUUUU=User address)
- Deleting All  
Access programming mode → 3 9 \* 9 \* 99999 #

#### //Enable/Disable Skip Finger/Tag

- Access programming mode → 4 0 \* F \* SSSSS \* EEEEE #  
(SSSSS=Starting user address; EEEEE=Ending User Address)  
Pair Command Setting :  
Way1 Access by fingerprint first and then tag/card  
→ 4 0 \* 1 \* SSSSS \* EEEEE #  
4 0 \* 3 \* SSSSS \* EEEEE #  
Way2 Access just by fingerprint or just by tag/card  
→ 4 0 \* 0 \* SSSSS \* EEEEE #  
→ 4 0 \* 2 \* SSSSS \* EEEEE #

### 產品內容/排線說明

#### AR-331E/F



Notice : The changes or modifications not expressly approved by the party responsible for compliance could void the user's authority to operate the equipment.

IMPORTANT NOTE: To comply with the FCC RF exposure compliance requirements, no change to the antenna or the device is permitted. Any change to the antenna or the device could result in the device exceeding the RF exposure requirements and void user's authority to operate the device.

NOTE: This equipment has been tested and found to comply with the limits for a Class B digital device, pursuant to part 15 of the FCC Rules. These limits are designed to provide reasonable protection against harmful interference in a residential installation. This equipment generates, uses and can radiate radio frequency energy and, if not installed and used in accordance with the instructions, may cause harmful interference to radio communications. However, there is no guarantee that interference will not occur in a particular installation. If this equipment does cause harmful interference to radio or television reception, which can be determined by turning the equipment off and on, the user is encouraged to try to correct the interference by one or more of the following measures:

- Reorient or relocate the receiving antenna.
- Increase the separation between the equipment and receiver.
- Connect the equipment into an outlet on a circuit different from that to which the receiver is connected.
- Consult the dealer or an experienced radio/TV technician for help.