

Re: Label Exemption Request for North Inc. TL1B

To Whom it May Concern:

Applicant: North Inc.
FCC FRN: 0023640295
FCC Grantee Code: 2ACKV
ISED Company Number: 12013A

We would like to request the movement of the FCC ID and IC ID into the User's Manual and Product Packaging for this product based on the details provided below.

Model: TL1B
HVIN: Loop
Proposed FCC ID: 2ACKV-TL1B
Proposed IC: 12013A-TL1B

This product's small size presents a challenge for on-product markings. The product is a wearable ring with a joystick function on the ring face. Total dimensions for the product are pictured in Appendix A, attached. We have found that similarly-sized products, such as FCC ID 2A16HM001, IC 21770-M001 have been exempt from labelling.

Pursuant to FCC § 2.925(f) and § 15.19(a)(5) and ISED RSP-100 §3.1, we would propose moving the product identifiers into the User's Manual and Product Packaging instead of marking the product directly. Thank you in advance for your consideration.



Name: Calum MacKellar
Title: Director of Quality
On behalf of: North Inc.
Phone: +1-519-807-2198

Appendix A: Product Dimensions

The product comes in multiple sizes to fit customer fingers (standard ring sizes), the width shown is consistent for all ring sizes and the diameter dimension range is listed in Table 1 below with units in mm.

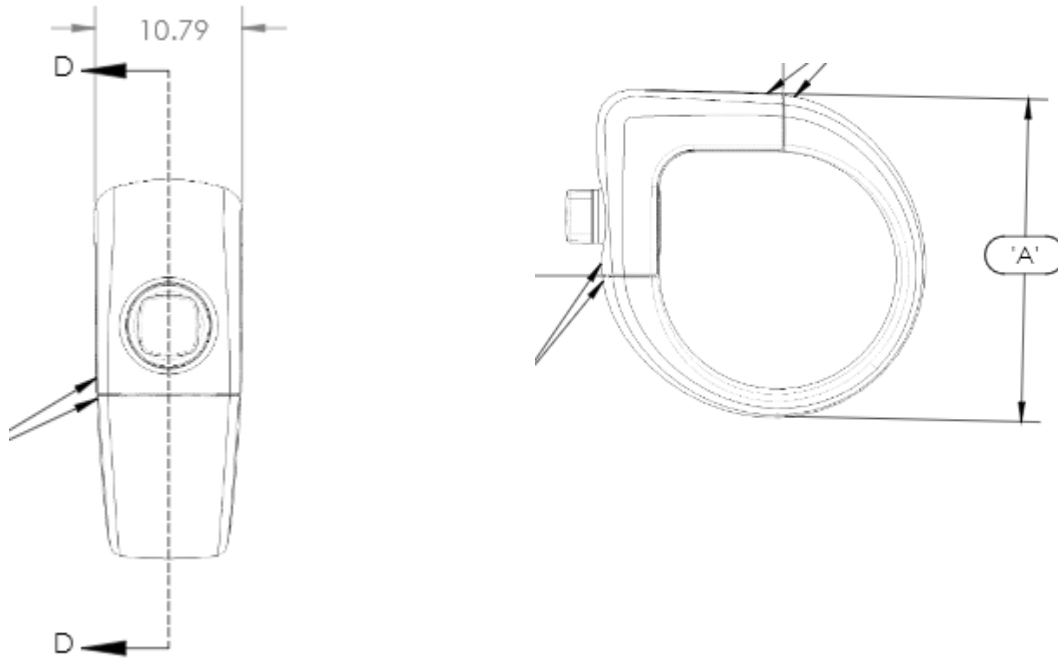


TABLE 1.

ASSY NUMBER	DIM 'A'
ASY-00016-055	23.34
ASY-00016-060	23.75
ASY-00016-065	24.15
ASY-00016-070	24.56
ASY-00016-075	24.97
ASY-00016-080	25.37
ASY-00016-085	25.78
ASY-00016-090	26.19
ASY-00016-095	26.59
ASY-00016-100	27.00
ASY-00016-105	27.40
ASY-00016-110	27.81
ASY-00016-115	28.22
ASY-00016-120	28.62
ASY-00016-125	29.03
ASY-00016-130	29.44
ASY-00016-135	29.84
ASY-00016-140	30.25
ASY-00016-145	30.66
ASY-00016-150	31.06
ASY-00016-155	31.47