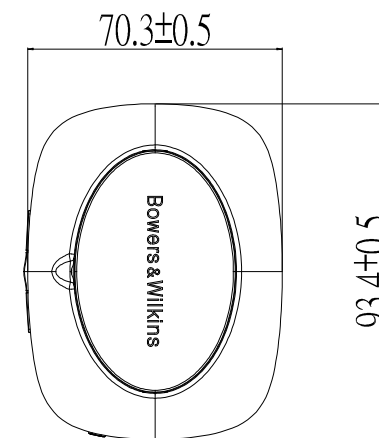
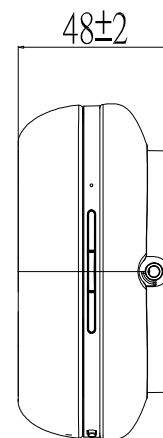
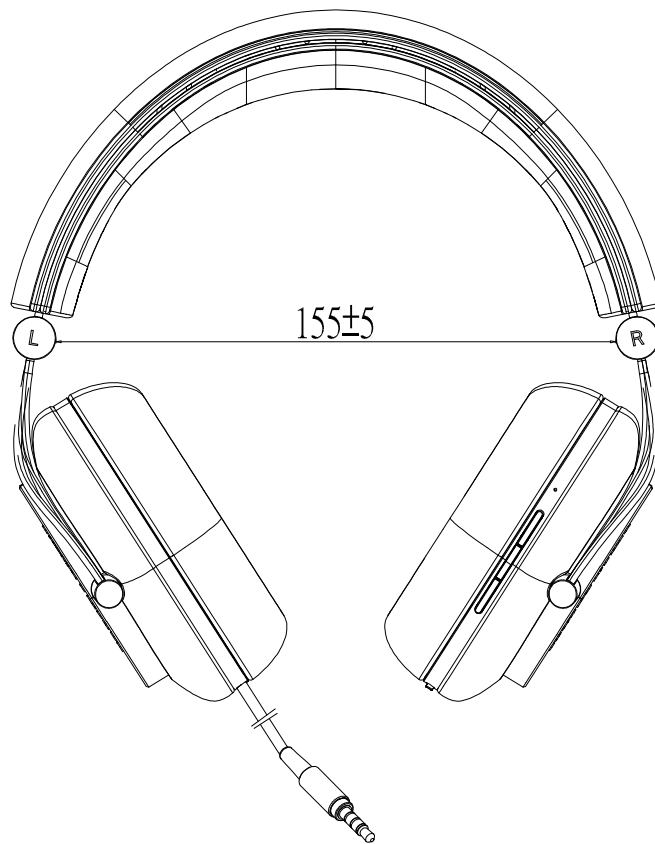
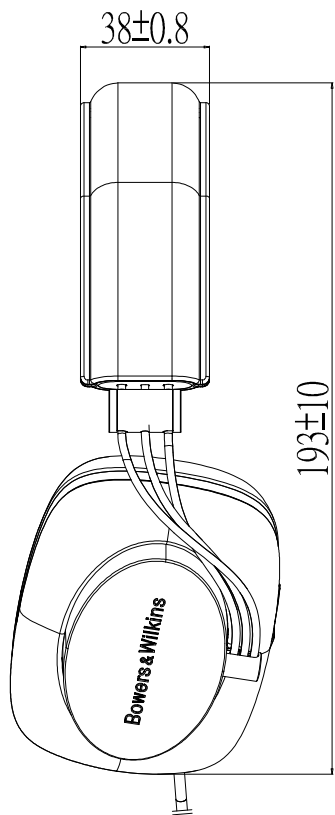


普通寸法容許公差由	A 級	B 級	C 級	形狀幾何公差
3以下	±0.05	±0.05	±0.05	◎
3以上 6以下	±0.05	±0.05	±0.10	//
6以上 30以下	±0.10	±0.10	±0.20	⊥
30以上120以下	±0.15	±0.30	±0.50	—
120以上400以下	±0.20	±0.50	±0.80	▭
400以上1000以下	±0.30	±1.00	±1.50	◇
一般公差				角度 ±30°



統音電子股份有限公司
TOONGIN Electronic Corporation

品名: 成品圖
圖號: _____

設計: 陳致榮
繪圖: 陳致榮

品管: -----
材質: -----

比例: 1:1
單位: mm

記號

更改內容

日期

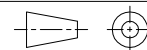
簽名

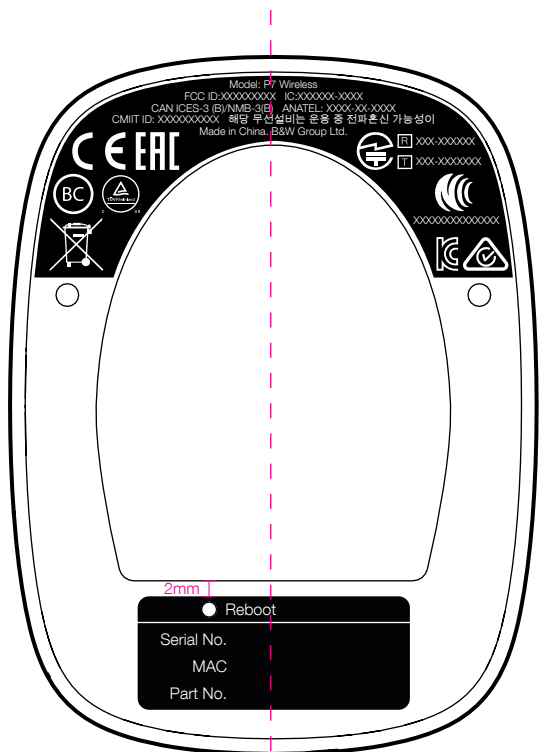
機種: P7 Wireless Headphone Black

日期: 2016.06.01

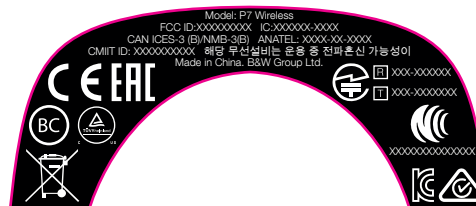
核對: -----

備註: -----



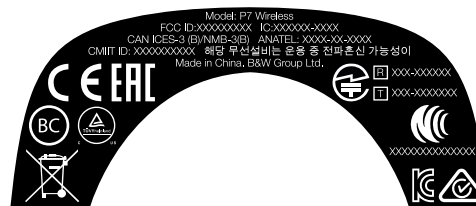


Centre label to speaker plate
RIGHT EAR PAD



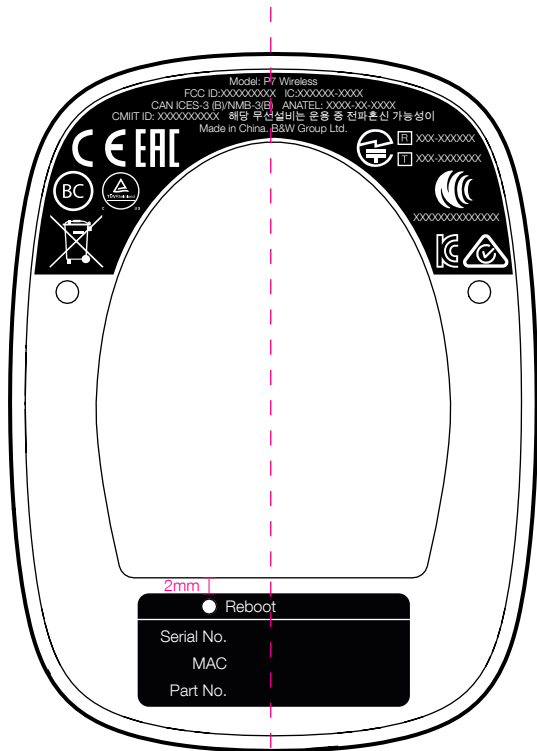
Shape to follow curve of speaker plate

do not print

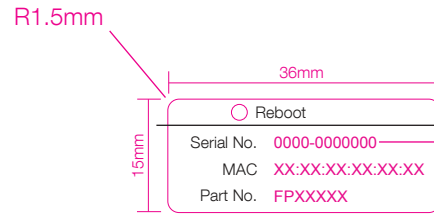


print this version

Material White sticker	FINISH 4 colour CMYK (text is white with black background). Matt laminate finish.	COPYRIGHT © 2016	
		DRAWN BY KH	DATE 04/03/2016
Bowers & Wilkins	DIMENSIONS IN mm	SCALE	ISS
	TOLERANCES 0. ± 0.5 0.0 ± 0.3 0.00 ± 0.1		USED ON TITLE:- P7 Wireless Rating Label

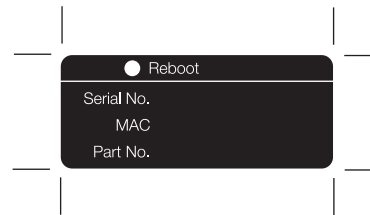


Centre label to speaker plate
RIGHT EAR PAD



D.o.M.-Serial number (YYMM-1234567)
FP number and MAC Address.
Font: Arial
Size: 6pt
Print: White

do not print

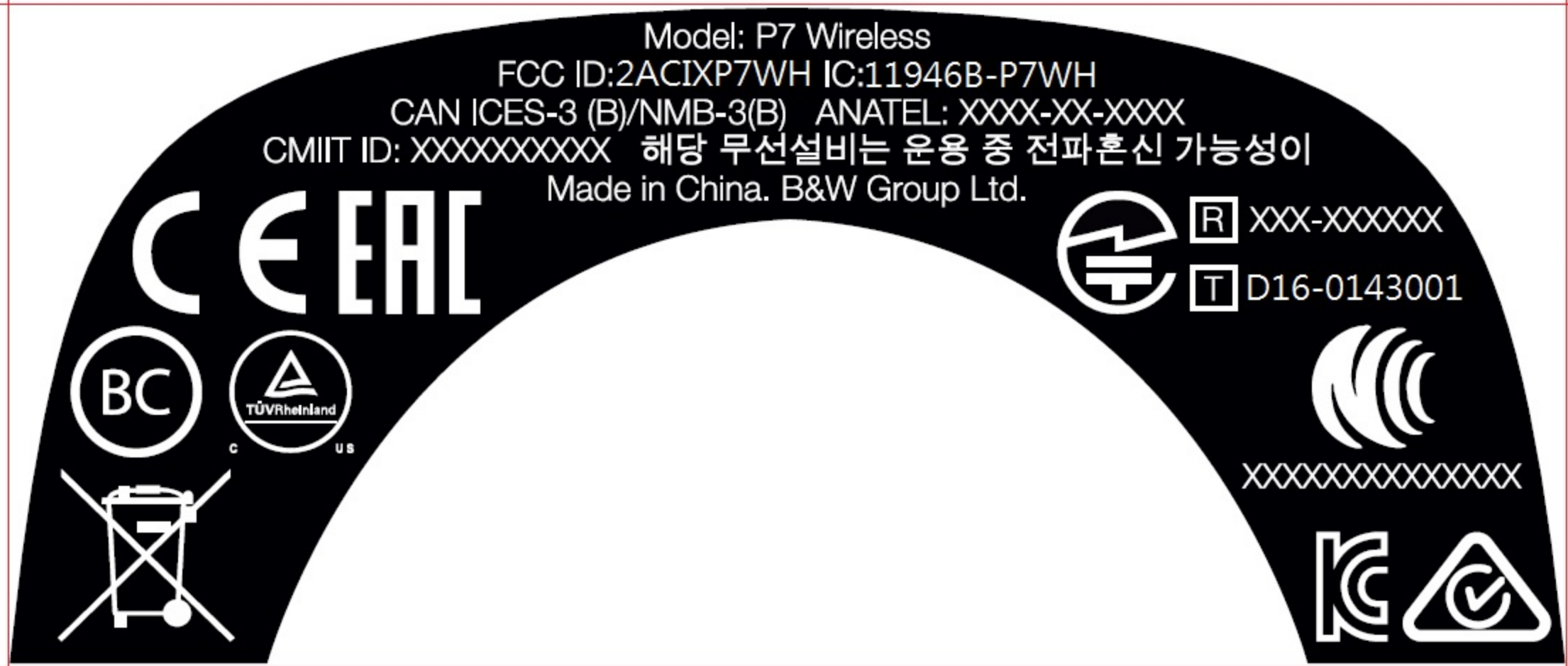


print this version

Material White sticker	FINISH 4 colour CMYK (text is white with black background). Matt laminate finish.	COPYRIGHT © 2016	
		DRAWN BY KH	DATE 04/03/2016
Bowers & Wilkins	DIMENSIONS IN mm	SCALE	PART NUMBER SS18155
	TOLERANCES 0. ± 0.5 0.0 ± 0.3 0.00 ± 0.1		USED ON TITLE:- P7 Wireless Serial Label

Label Drawing of P7 Wireless

?? mm



??mm