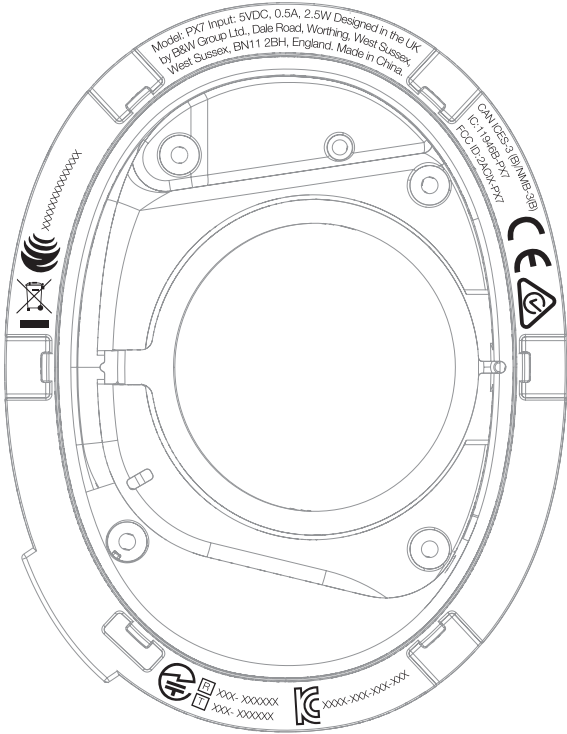
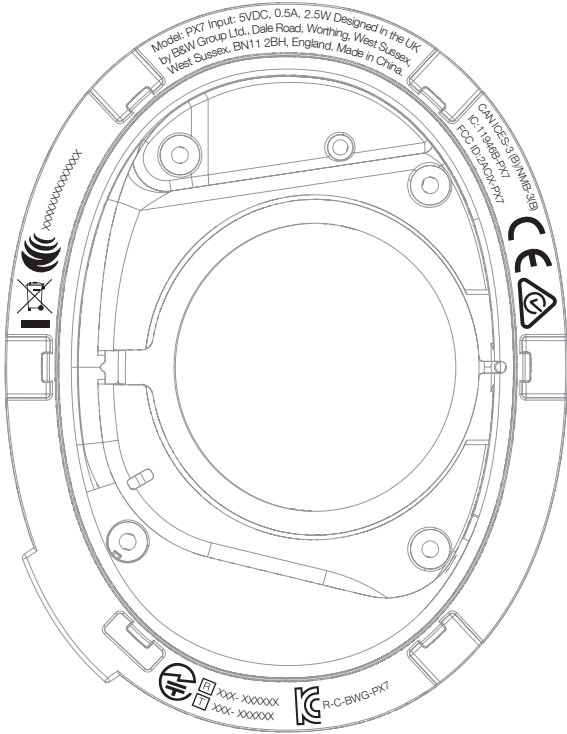


do not print

print this version

LEFT EAR

LEFT EAR



<b>Material</b>	<b>FINISH</b> Laser etched on to speaker plate			COPYRIGHT © 2019	
				<b>DRAWN BY</b> KH	<b>DATE</b> 25/04/2019
Bowers & Wilkins	<b>DIMENSIONS IN mm</b>	<b>SCALE</b>	<b>ISS</b>	<b>PART NUMBER</b>	
	TOLERANCES 0. ± 0.5 0.0 ± 0.3 0.00 ± 0.1		<b>USED ON</b>	<b>SAP ART NUMBER</b>	
			TITLE:- ROW (excluding China) Business Class Rating Etching - LEFT EAR		