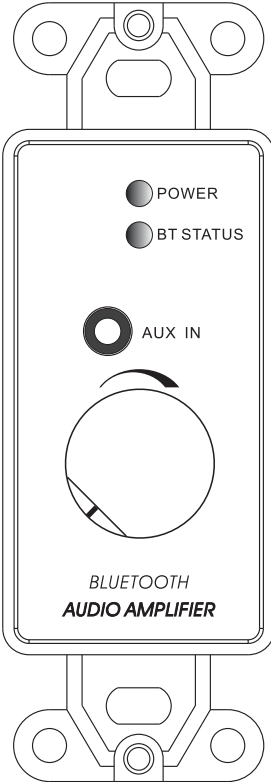


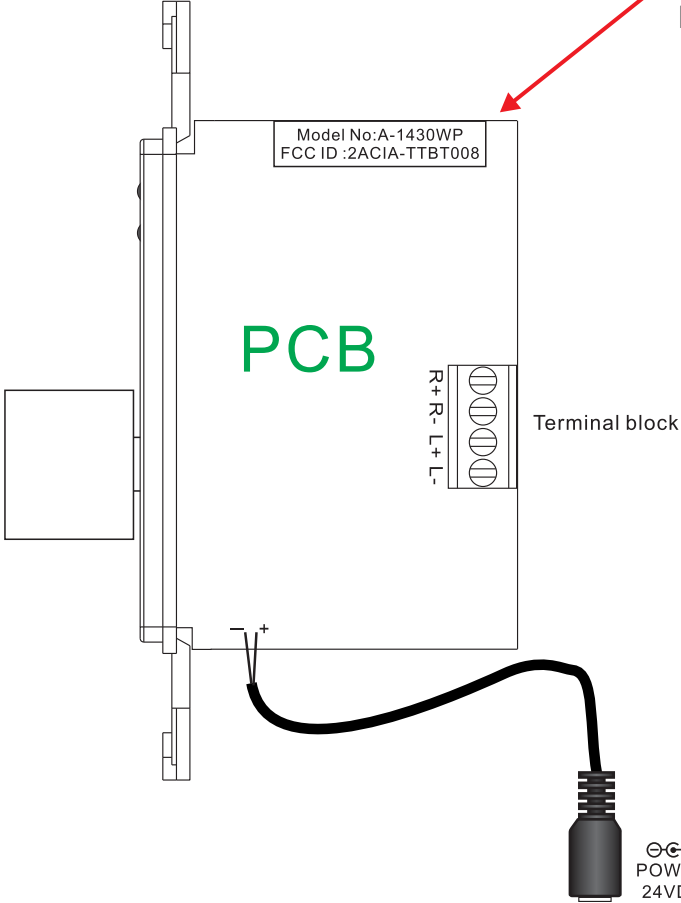
# Back View

SCALE:  $\frac{1}{1}$



Model No:A-1430WP  
FCC ID :2ACIA-TTBT008

FCC ID Label  
28 x 6mm



# Side View

POWER  
24VDC