

Plot 1

Date/Time: 5/9/2014 4:51:09 PM

Test Laboratory: Cetecom Inc., SAR 3 Lab

DUT: ResMed; Type: Medical Device; Serial: 22131321510

Communication System: CDMA2000 (1xRTT, RC3); Frequency: 836 MHz

Medium: MSL900_Batch 100818-1

Medium parameters used: $f = 836$ MHz; $\sigma = 0.992$ mho/m; $\epsilon_r = 53.007$; $\rho = 1000$ kg/m³

Phantom section: Flat Section

Measurement Standard: DASYS (IEEE/IEC/ANSI C63.19-2007)

Procedure Notes: Test Technician: Kathy; Air Temperature: 21.7C; Medium Temperature: 20.7C;

Comments: ;

DASY Configuration:

- Probe: ES3DV3 - SN3340; ConvF(6.16, 6.16, 6.16); Calibrated: 4/16/2014;
- Sensor-Surface: 3mm (Mechanical Surface Detection (Locations From Previous Scan Used)), Sensor-Surface: 3mm (Mechanical Surface Detection), $z = 2.0, 32.0$
- Electronics: DAE4 Sn1233; Calibrated: 3/17/2014
- Phantom: ELI v5.0; Type: QDOVA002AA; Serial: TP:1124
- DASYS2 52.8.1(838);

Flat-Section 2/Side 1_0mm_836MHz/Area Scan (11x21x1): Measurement grid: $dx=15$ mm, $dy=15$ mm
 Maximum value of SAR (measured) = 0.0476 mW/g

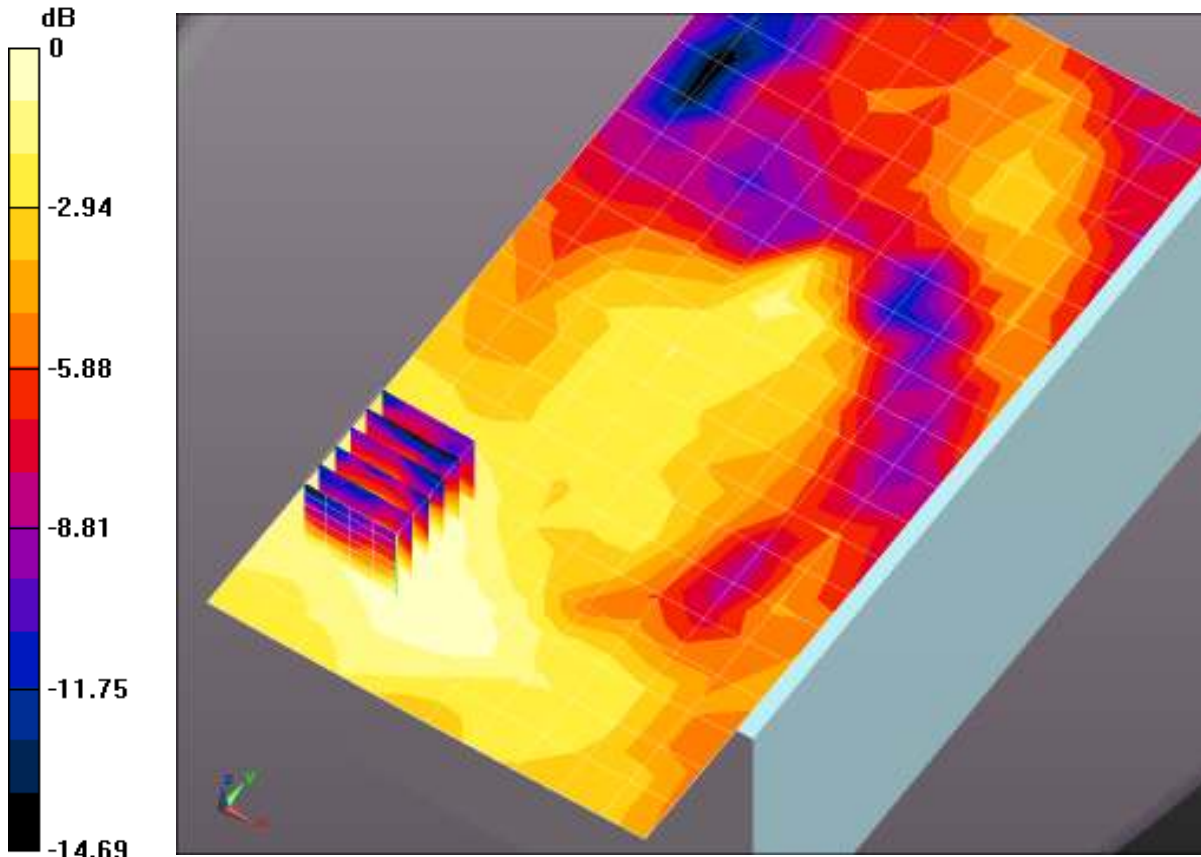
Flat-Section 2/Side 1_0mm_836MHz/Zoom Scan (5x6x7)/Cube 0: Measurement grid: $dx=8$ mm, $dy=8$ mm, $dz=5$ mm

Reference Value = 6.137 V/m; Power Drift = 0.20 dB

Peak SAR (extrapolated) = 0.055 mW/g

SAR(1 g) = 0.045 mW/g; SAR(10 g) = 0.035 mW/g

Maximum value of SAR (measured) = 0.0493 mW/g



0 dB = 0.0476 mW/g = -26.44 dB mW/g

Plot 2

Date/Time: 5/9/2014 4:18:46 PM

Test Laboratory: Cetecom Inc., SAR 3 Lab

DUT: ResMed; Type: Medical Device; Serial: 22131321510

Communication System: CDMA2000 (1xRTT, RC3); Frequency: 836 MHz

Medium: MSL900_Batch 100818-1

Medium parameters used: $f = 836$ MHz; $\sigma = 0.992$ mho/m; $\epsilon_r = 53.007$; $\rho = 1000$ kg/m³

Phantom section: Flat Section

Measurement Standard: DASYS5 (IEEE/IEC/ANSI C63.19-2007)

Procedure Notes: Test Technician: Kathy; Air Temperature: 21.8C; Medium Temperature: 20.7C;

Comments: ;

DASY Configuration:

- Probe: ES3DV3 - SN3340; ConvF(6.16, 6.16, 6.16); Calibrated: 4/16/2014;
- Sensor-Surface: 3mm (Mechanical Surface Detection), $z = 2.0, 32.0$
- Electronics: DAE4 Sn1233; Calibrated: 3/17/2014
- Phantom: ELI v5.0; Type: QDOVA002AA; Serial: TP:1124
- DASYS5 52.8.1(838);

Flat-Section/Side 2_0mm_836MHz/Area Scan (11x21x1): Measurement grid: $dx=15$ mm, $dy=15$ mm

Maximum value of SAR (measured) = 0.375 mW/g

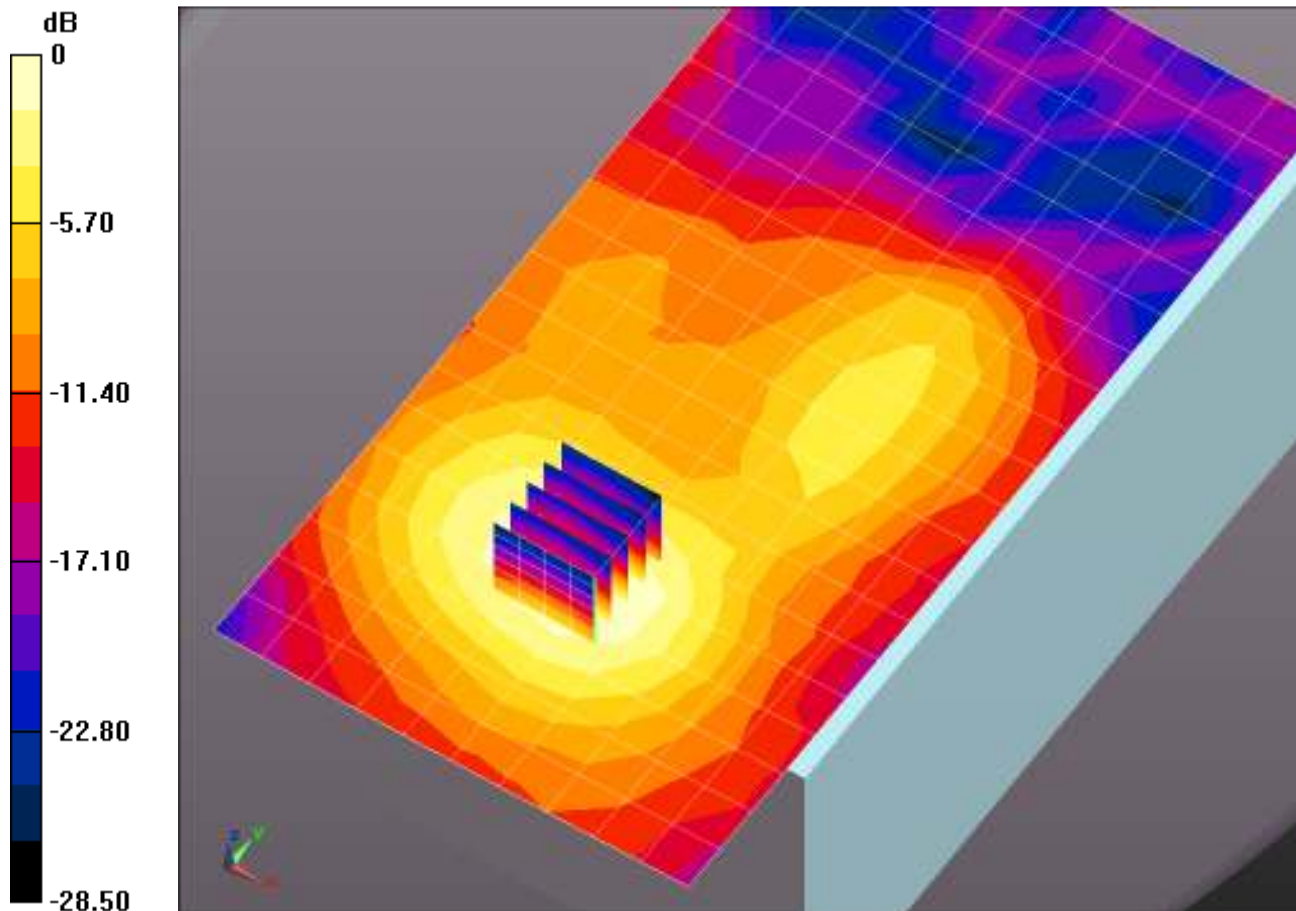
Flat-Section/Side 2_0mm_836MHz/Zoom Scan (5x5x7)/Cube 0: Measurement grid: $dx=8$ mm, $dy=8$ mm, $dz=5$ mm

Reference Value = 8.652 V/m; Power Drift = -0.18 dB

Peak SAR (extrapolated) = 0.526 mW/g

SAR(1 g) = 0.382 mW/g; SAR(10 g) = 0.262 mW/g

Maximum value of SAR (measured) = 0.440 mW/g



0 dB = 0.375 mW/g = -8.53 dB mW/g

Plot 3

Date/Time: 5/9/2014 3:53:56 PM

Test Laboratory: Cetecom Inc., SAR 3 Lab

DUT: ResMed; Type: Medical Device; Serial: 22131321510

Communication System: CDMA2000 (1xRTT, RC3); Frequency: 849 MHz

Medium: MSL900_Batch 100818-1

Medium parameters used: $f = 849$ MHz; $\sigma = 1.01$ mho/m; $\epsilon_r = 52.911$; $\rho = 1000$ kg/m³

Phantom section: Flat Section

Measurement Standard: DASYS (IEEE/IEC/ANSI C63.19-2007)

Procedure Notes: Test Technician: Kathy; Air Temperature: 21.8C; Medium Temperature: 20.7C;

Comments: ;

DASY Configuration:

- Probe: ES3DV3 - SN3340; ConvF(6.16, 6.16, 6.16); Calibrated: 4/16/2014;
- Sensor-Surface: 3mm (Mechanical Surface Detection), $z = 2.0, 32.0$
- Electronics: DAE4 Sn1233; Calibrated: 3/17/2014
- Phantom: ELI v5.0; Type: QDOVA002AA; Serial: TP:1124
- DASYS2 52.8.1(838);

Flat-Section/Side 3_20mm_836MHz/Area Scan (11x9x1): Measurement grid: $dx=15$ mm, $dy=15$ mm

Maximum value of SAR (measured) = 0.737 mW/g

Flat-Section/Side 3_20mm_836MHz/Zoom Scan (5x5x7)/Cube 0: Measurement grid: $dx=8$ mm,

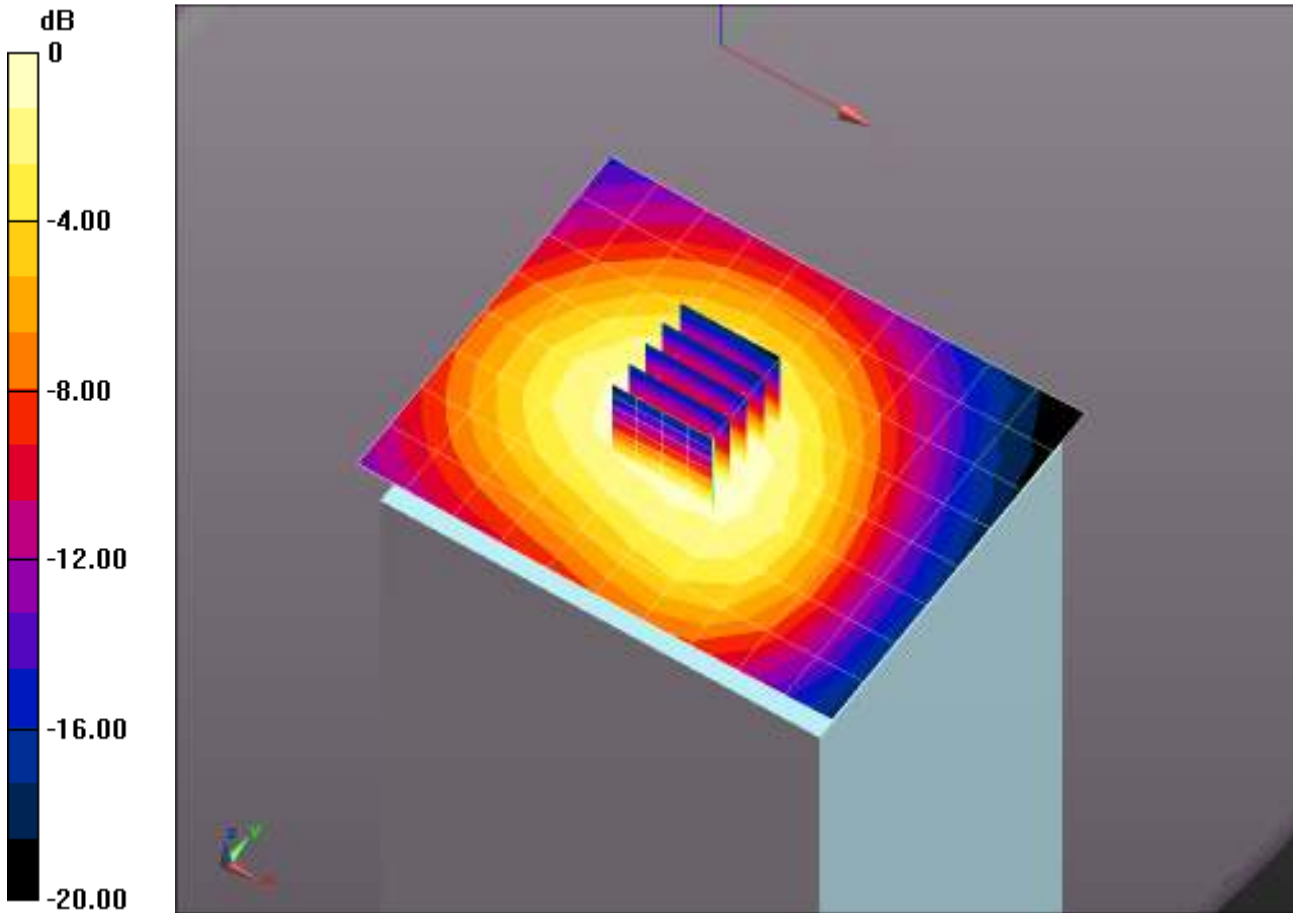
$dy=8$ mm, $dz=5$ mm

Reference Value = 26.843 V/m; Power Drift = 0.05 dB

Peak SAR (extrapolated) = 0.843 mW/g

SAR(1 g) = 0.647 mW/g; SAR(10 g) = 0.477 mW/g

Maximum value of SAR (measured) = 0.721 mW/g



0 dB = 0.737 mW/g = -2.65 dB mW/g

Plot 4

Date/Time: 5/9/2014 2:14:56 PM

Test Laboratory: Cetecom Inc. SAR 1 Lab

DUT: ResMed; Type: Medical Device; Serial: 22131321510

Communication System: CDMA2000 (1xRTT, RC3); Frequency: 1880 MHz

Medium: MSL1900_Batch 110615-4

Medium parameters used: $f = 1880$ MHz; $\sigma = 1.538$ mho/m; $\epsilon_r = 51.322$; $\rho = 1000$ kg/m³

Phantom section: Flat Section

Measurement Standard: DASYS (IEEE/IEC/ANSI C63.19-2007)

Procedure Notes: Test Technician: Mike & Lenny; Air Temperature: 22.3C; Medium Temperature: 21.3C;

Comments: ;

DASY Configuration:

- Probe: ES3DV3 - SN3244; ConvF(4.66, 4.66, 4.66); Calibrated: 3/19/2014;
- Sensor-Surface: 3mm (Mechanical Surface Detection), z = 2.0, 32.0
- Electronics: DAE4 Sn1265; Calibrated: 1/29/2014
- Phantom: ELI 4.0; Type: QDOVA001BB; Serial: 1092
- DASYS2 52.8.1(838);

Flat-Section/Side 1_0mm/Area Scan (11x21x1): Measurement grid: dx=15mm, dy=15mm

Maximum value of SAR (measured) = 0.125 mW/g

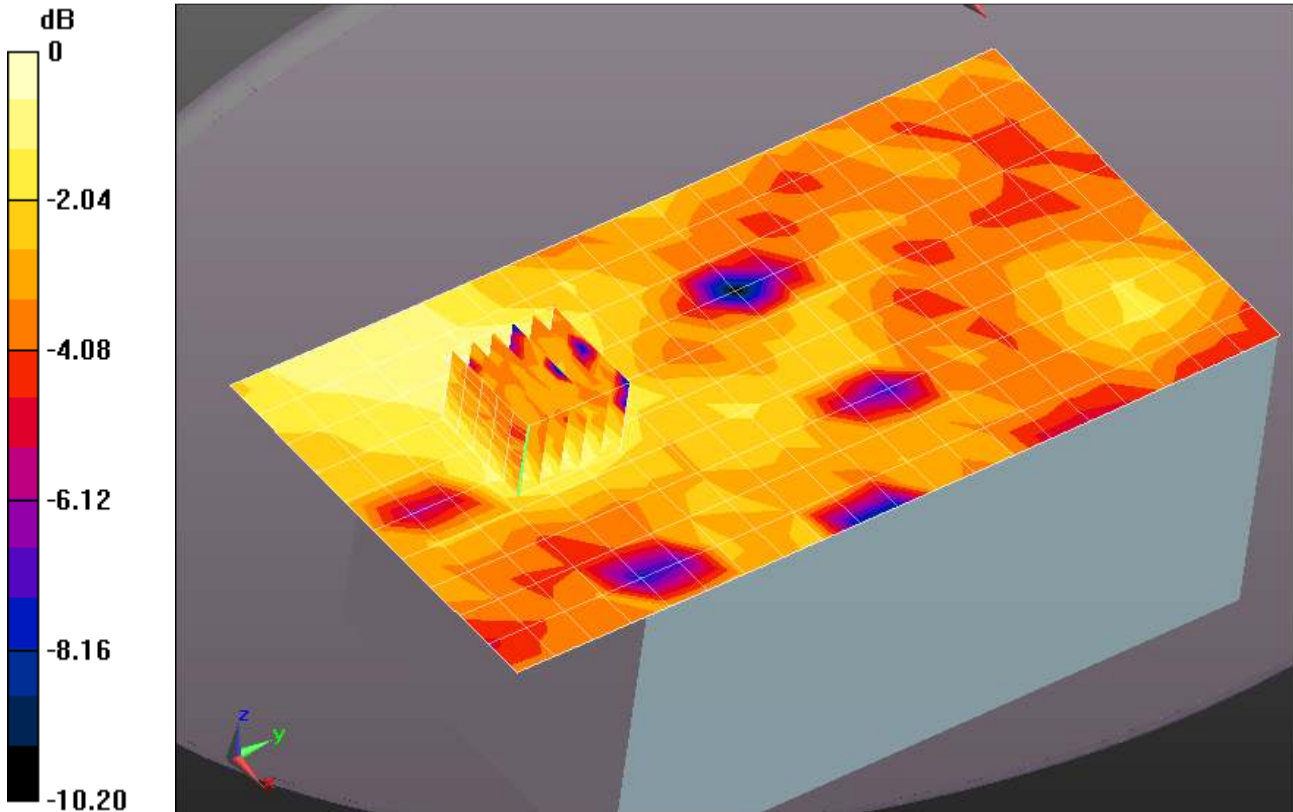
Flat-Section/Side 1_0mm/Zoom Scan (6x6x7)/Cube 0: Measurement grid: dx=8mm, dy=8mm, dz=5mm

Reference Value = 5.765 V/m; Power Drift = -0.02 dB

Peak SAR (extrapolated) = 0.152 mW/g

SAR(1 g) = 0.105 mW/g; SAR(10 g) = 0.078 mW/g

Maximum value of SAR (measured) = 0.116 mW/g



0 dB = 0.125 mW/g = -18.05 dB mW/g

Plot 5

Date/Time: 5/9/2014 6:51:32 AM

Test Laboratory: Cetecom Inc., SAR 1 Lab

DUT: ResMed; Type: Medical Device; Serial: 22131321510

Communication System: CDMA2000 (1xRTT, RC3); Frequency: 1880 MHz

Medium: MSL1900_Batch 110615-4

Medium parameters used: $f = 1880$ MHz; $\sigma = 1.538$ mho/m; $\epsilon_r = 51.322$; $\rho = 1000$ kg/m³

Phantom section: Flat Section

Measurement Standard: DASYS (IEEE/IEC/ANSI C63.19-2007)

Procedure Notes: Test Technician: Mike & Lenny; Air Temperature: 21.6C; Medium Temperature: 21.1C;

Comments: ;

DASY Configuration:

- Probe: ES3DV3 - SN3244; ConvF(4.66, 4.66, 4.66); Calibrated: 3/19/2014;
- Sensor-Surface: 3mm (Mechanical Surface Detection), $z = 2.0, 32.0$
- Electronics: DAE4 Sn1265; Calibrated: 1/29/2014
- Phantom: ELI 4.0; Type: QDOVA001BB; Serial: 1092
- DASYS2 52.8.1(838);

Flat-Section/Side 2_0mm_1880MHz/Area Scan (13x20x1): Measurement grid: $dx=15$ mm, $dy=15$ mm

Maximum value of SAR (measured) = 0.938 mW/g

Flat-Section/Side 2_0mm_1880MHz/Zoom Scan (5x5x7)/Cube 0: Measurement grid: $dx=8$ mm,

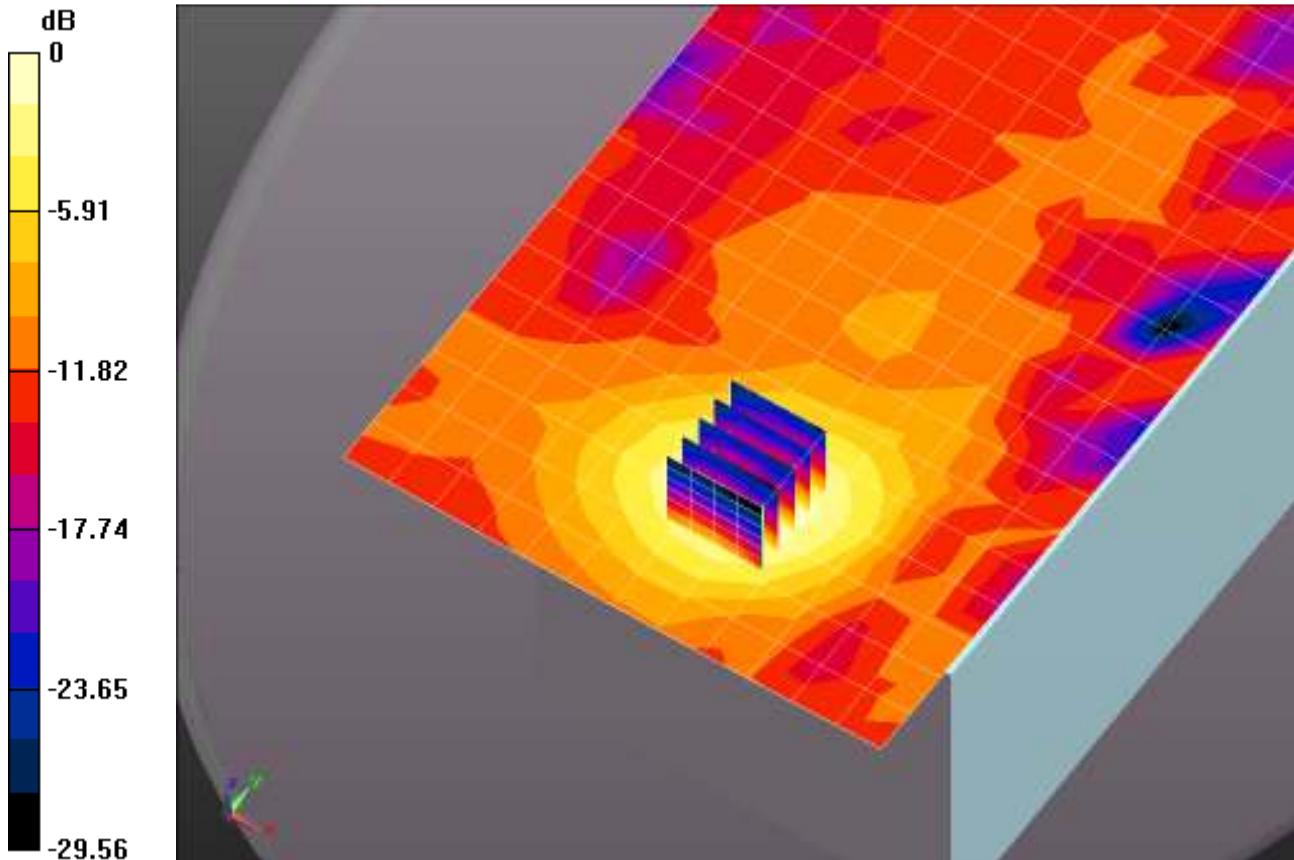
$dy=8$ mm, $dz=5$ mm

Reference Value = 25.500 V/m; Power Drift = -0.05 dB

Peak SAR (extrapolated) = 1.267 mW/g

SAR(1 g) = 0.820 mW/g; SAR(10 g) = 0.514 mW/g

Maximum value of SAR (measured) = 0.981 mW/g



0 dB = 0.938 mW/g = -0.55 dB mW/g

Plot 6

Date/Time: 5/9/2014 11:20:29 AM

Test Laboratory: Cetecom Inc., SAR 1 Lab

DUT: ResMed; Type: Medical Device; Serial: 22131321510

Communication System: CDMA2000 (1xRTT, RC3); Frequency: 1880 MHz

Medium: MSL1900_Batch 110615-4

Medium parameters used: $f = 1880$ MHz; $\sigma = 1.538$ mho/m; $\epsilon_r = 51.322$; $\rho = 1000$ kg/m³

Phantom section: Flat Section

Measurement Standard: DASYS (IEEE/IEC/ANSI C63.19-2007)

Procedure Notes: Test Technician: Kathy; Air Temperature: 22.7C; Medium Temperature: 21.3C;

Comments: ;

DASY Configuration:

- Probe: ES3DV3 - SN3244; ConvF(4.66, 4.66, 4.66); Calibrated: 3/19/2014;
- Sensor-Surface: 3mm (Mechanical Surface Detection), $z = 2.0, 32.0$
- Electronics: DAE4 Sn1265; Calibrated: 1/29/2014
- Phantom: ELI 4.0; Type: QDOVA001BB; Serial: 1092
- DASYS2 52.8.1(838);

Flat-Section/Side 3_20mm_1880MHz/Area Scan (11x10x1): Measurement grid: dx=15mm, dy=15mm

Maximum value of SAR (measured) = 0.295 mW/g

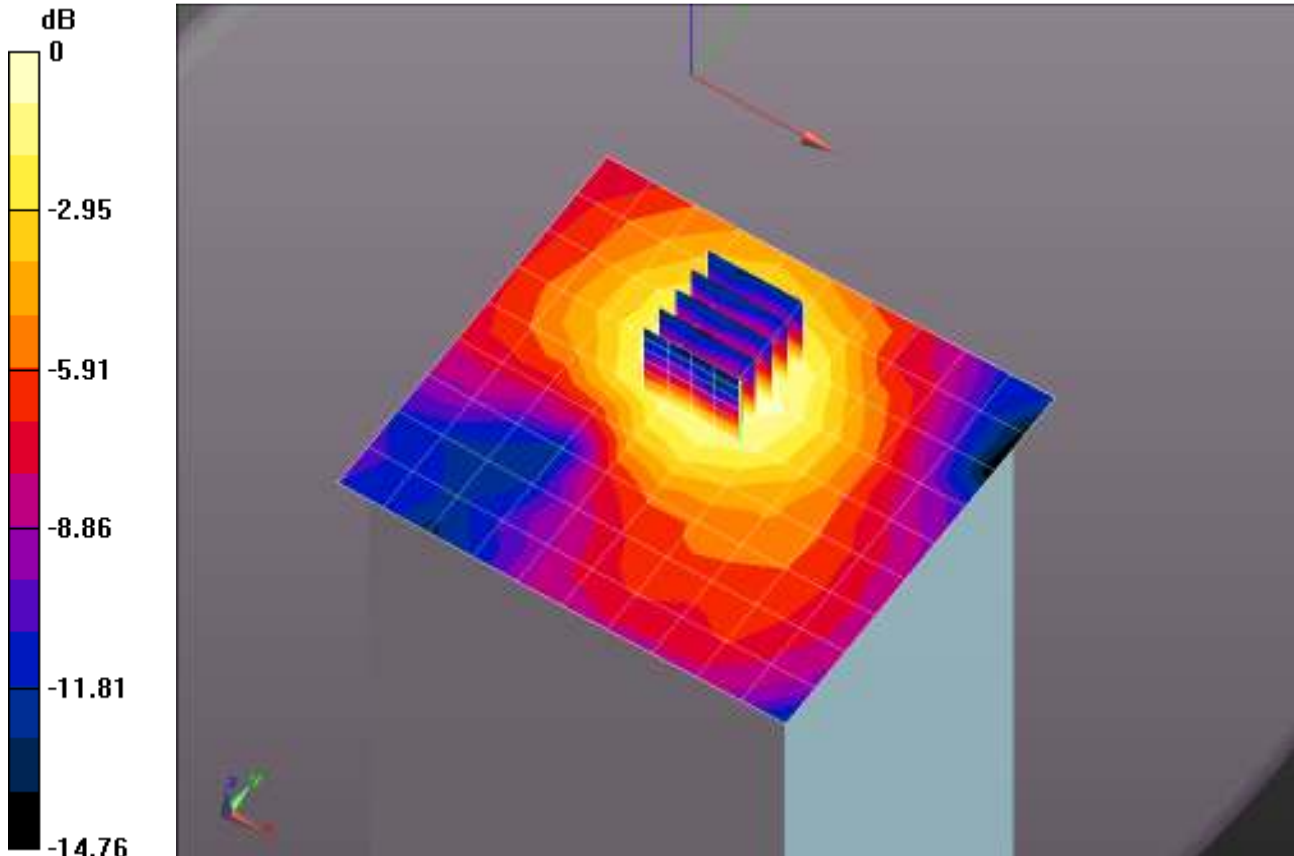
Flat-Section/Side 3_20mm_1880MHz/Zoom Scan (5x5x7)/Cube 0: Measurement grid: dx=8mm,

dy=8mm, dz=5mm

Reference Value = 11.318 V/m; Power Drift = 0.11 dB

Peak SAR (extrapolated) = 0.373 mW/g

SAR(1 g) = 0.258 mW/g; SAR(10 g) = 0.177 mW/g



0 dB = 0.295 mW/g = -10.61 dB mW/g

Plot 7

Date/Time: 5/12/2014 1:01:28 PM

Test Laboratory: Cetecom Inc., SAR 1 Lab

DUT: ResMed; Type: Medical Device; Serial: 22131321510

Communication System: CDMA2000 (1xRTT, RC3); Frequency: 1851.25 MHz

Medium: MSL1900_Batch 110615-4

Medium parameters used (interpolated): $f = 1851.25$ MHz; $\sigma = 1.512$ mho/m; $\epsilon_r = 50.95$; $\rho = 1000$ kg/m³

Phantom section: Flat Section

Measurement Standard: DASYS (IEEE/IEC/ANSI C63.19-2011)

Procedure Notes: Test Technician: Kathy; Air Temperature: 21.8C; Medium Temperature: 20.7C;

Comments: ;

DASY Configuration:

- Probe: ES3DV3 - SN3244; ConvF(4.66, 4.66, 4.66); Calibrated: 3/19/2014;
- Sensor-Surface: 3mm (Mechanical Surface Detection), $z = 2.0, 32.0$
- Electronics: DAE4 Sn1265; Calibrated: 1/29/2014
- Phantom: ELI 4.0; Type: QDOVA001BB; Serial: 1092
- DASYS52 52.8.1(838);

Flat-Section 3/Side 2_ 0mm_ 1851.25MHz/Area Scan (13x20x1): Measurement grid: $dx=15$ mm, $dy=15$ mm

Info: [Interpolated medium parameters used for SAR evaluation.](#)

Maximum value of SAR (measured) = 1.01 mW/g

Flat-Section 3/Side 2_ 0mm_ 1851.25MHz/Zoom Scan (5x5x7)/Cube 0: Measurement grid: $dx=8$ mm, $dy=8$ mm, $dz=5$ mm

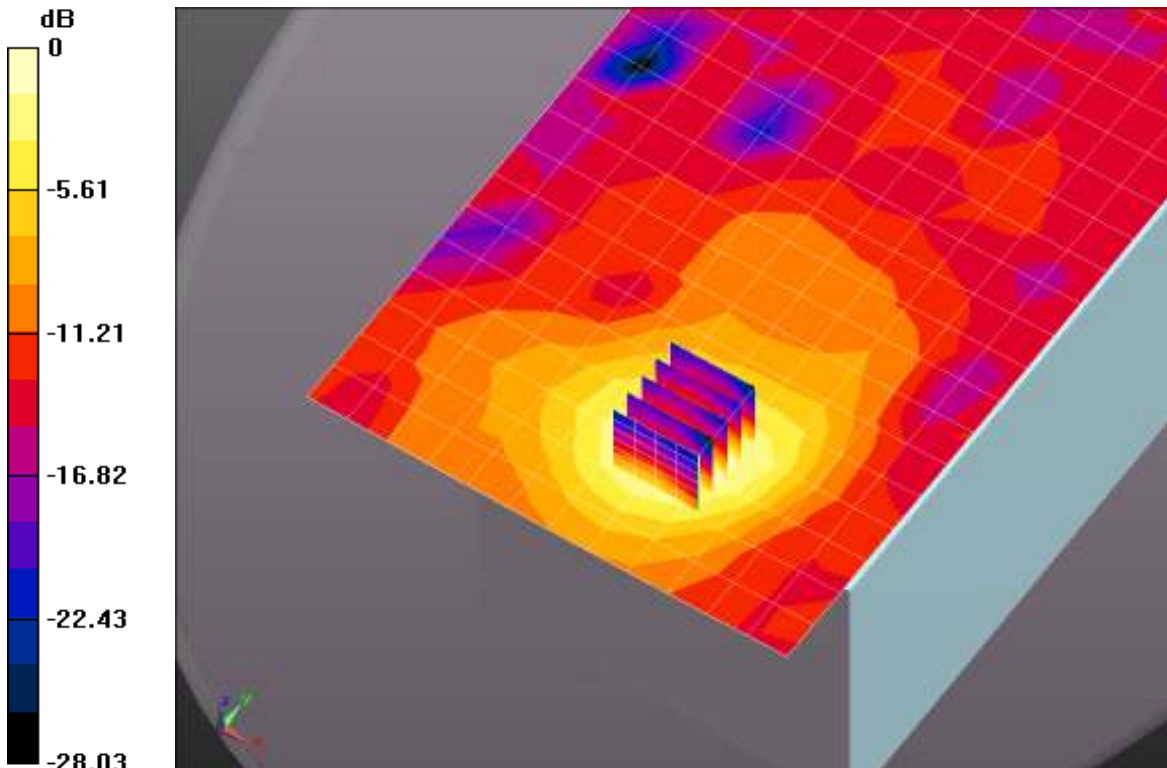
Reference Value = 26.054 V/m; Power Drift = -0.10 dB

Peak SAR (extrapolated) = 1.336 mW/g

SAR(1 g) = 0.887 mW/g; SAR(10 g) = 0.561 mW/g

Info: [Interpolated medium parameters used for SAR evaluation.](#)

Maximum value of SAR (measured) = 1.04 mW/g



0 dB = 1.01 mW/g = 0.07 dB mW/g

Plot 8

Date/Time: 5/12/2014 1:44:26 PM

Test Laboratory: Cetecom Inc., SAR 1 Lab

DUT: ResMed; Type: Medical Device; Serial: 22131321510

Communication System: CDMA2000 (1xRTT, RC3); Frequency: 1908.75 MHz

Medium: MSL1900_Batch 110615-4

Medium parameters used: $f = 1909$ MHz; $\sigma = 1.582$ mho/m; $\epsilon_r = 51.041$; $\rho = 1000$ kg/m³

Phantom section: Flat Section

Measurement Standard: DASYS (IEEE/IEC/ANSI C63.19-2011)

Procedure Notes: Test Technician: Kathy; Air Temperature: 22C; Medium Temperature: 20.7C;

Comments: ;

DASY Configuration:

- Probe: ES3DV3 - SN3244; ConvF(4.66, 4.66, 4.66); Calibrated: 3/19/2014;
- Sensor-Surface: 3mm (Mechanical Surface Detection), $z = 2.0, 32.0$
- Electronics: DAE4 Sn1265; Calibrated: 1/29/2014
- Phantom: ELI 4.0; Type: QDOVA001BB; Serial: 1092
- DASYS2 52.8.1(838);

Flat-Section 3/Side 2_ 0mm_1908.75MHz/Area Scan (13x20x1): Measurement grid: $dx=15$ mm, $dy=15$ mm

Maximum value of SAR (measured) = 0.499 mW/g

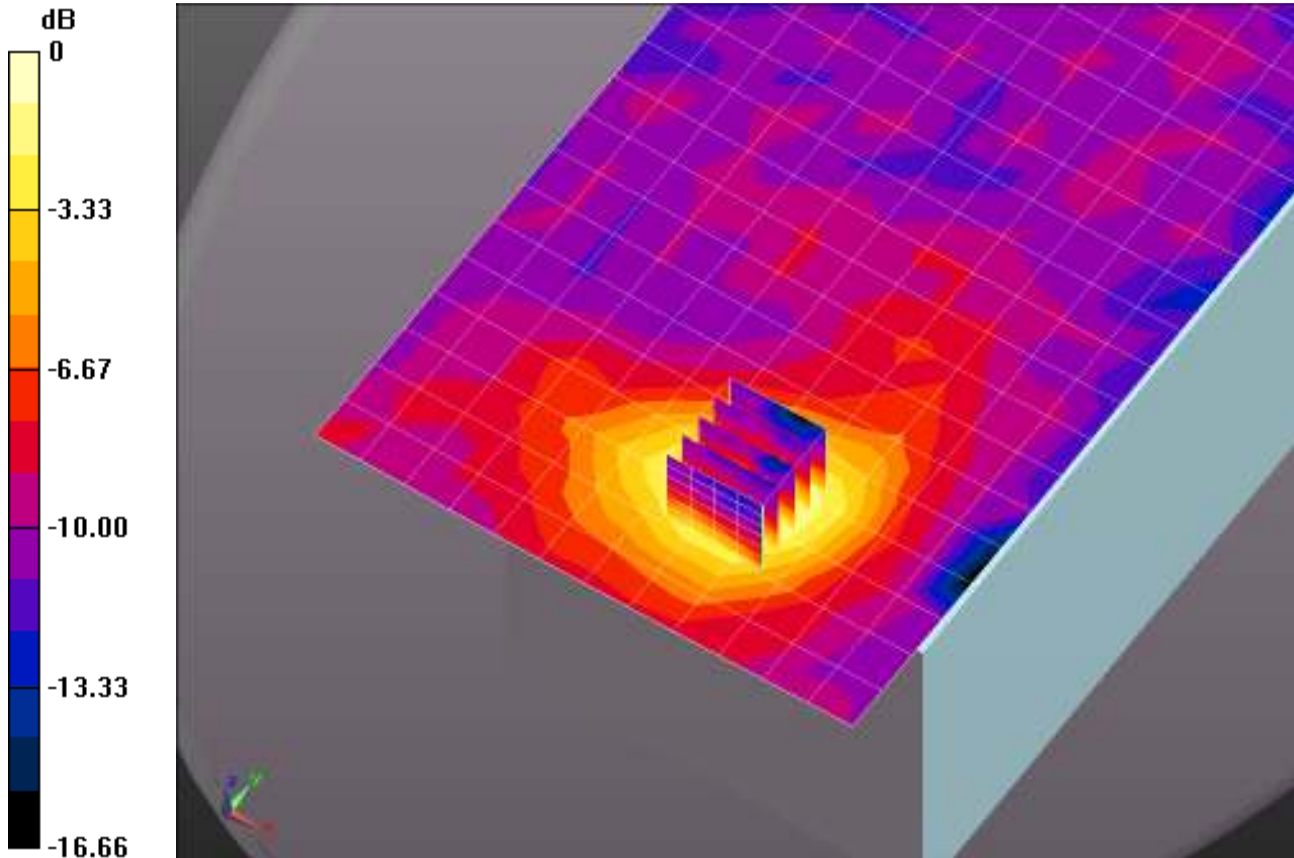
Flat-Section 3/Side 2_ 0mm_1908.75MHz/Zoom Scan (5x5x7)/Cube 0: Measurement grid: $dx=8$ mm, $dy=8$ mm, $dz=5$ mm

Reference Value = 18.311 V/m; Power Drift = -0.08 dB

Peak SAR (extrapolated) = 0.702 mW/g

SAR(1 g) = 0.461 mW/g; SAR(10 g) = 0.295 mW/g

Maximum value of SAR (measured) = 0.538 mW/g



0 dB = 0.499 mW/g = -6.04 dB mW/g

Plot 9

Date/Time: 5/9/2014 1:22:25 PM

Test Laboratory: Cetecom Inc., SAR 3 Lab

DUT: Dipole 835 MHz - D835V2 - SN4d155_June 2013; Type: D835V2; Serial: D835V2 - SN:4d155

Communication System: CW; Frequency: 835 MHz

Medium: MSL900_Batch 100818-1

Medium parameters used: $f = 835$ MHz; $\sigma = 0.991$ mho/m; $\epsilon_r = 53.009$; $\rho = 1000$ kg/m³

Phantom section: Flat Section

Measurement Standard: DASYS (IEEE/IEC/ANSI C63.19-2007)

Procedure Notes: Test Technician: Kathy; Air Temperature: 21.6C; Medium Temperature: 20.7C;

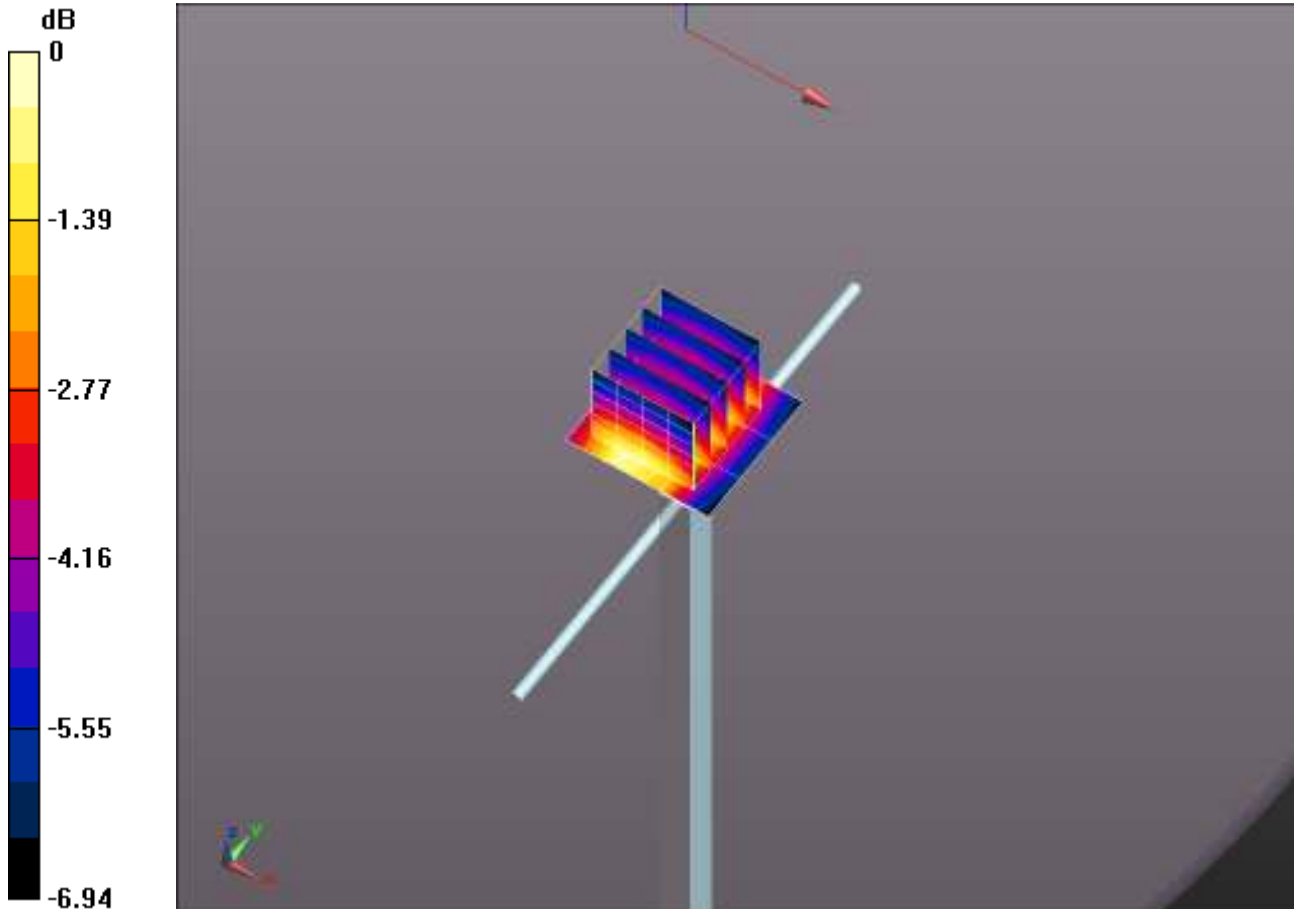
Comments: ;

DASY Configuration:

- Probe: ES3DV3 - SN3340; ConvF(6.16, 6.16, 6.16); Calibrated: 4/16/2014;
- Sensor-Surface: 3mm (Mechanical Surface Detection), $z = 2.0, 32.0$
- Electronics: DAE4 Sn1233; Calibrated: 3/17/2014
- Phantom: ELI v5.0; Type: QDOVA002AA; Serial: TP:1124
- DASYS52 52.8.1(838);

System Performance Check at Frequencies below 1 GHz/d=15mm, Pin=1W, dist=3.0mm (ES-Probe)/Area Scan (4x4x1): Measurement grid: dx=15mm, dy=15mm
 Maximum value of SAR (measured) = 10.9 mW/g

System Performance Check at Frequencies below 1 GHz/d=15mm, Pin=1W, dist=3.0mm (ES-Probe)/Zoom Scan (7x7x7) (5x5x7)/Cube 0: Measurement grid: dx=8mm, dy=8mm, dz=5mm
 Reference Value = 109.0 V/m; Power Drift = -0.05 dB
 Peak SAR (extrapolated) = 14.156 mW/g
SAR(1 g) = 9.8 mW/g; SAR(10 g) = 6.48 mW/g
 Maximum value of SAR (measured) = 11.3 mW/g



0 dB = 10.9 mW/g = 20.77 dB mW/g

Plot 10

Date/Time: 5/8/2014 5:17:25 PM

Test Laboratory: Cetecom Inc. SAR 1 Lab

DUT: Dipole 1900 MHz - D1900V2 - SN5d172_June 2013; Type: D1900V2; Serial: D1900V2 - SN:5d172

Communication System: CW; Frequency: 1900 MHz

Medium: MSL1900_Batch 110615-4

Medium parameters used: $f = 1900$ MHz; $\sigma = 1.561$ mho/m; $\epsilon_r = 51.256$; $\rho = 1000$ kg/m³

Phantom section: Flat Section

Measurement Standard: DASYS (IEEE/IEC/ANSI C63.19-2007)

Procedure Notes: Test Technician: Lenny; Air Temperature: 22.4C; Medium Temperature: 21C;

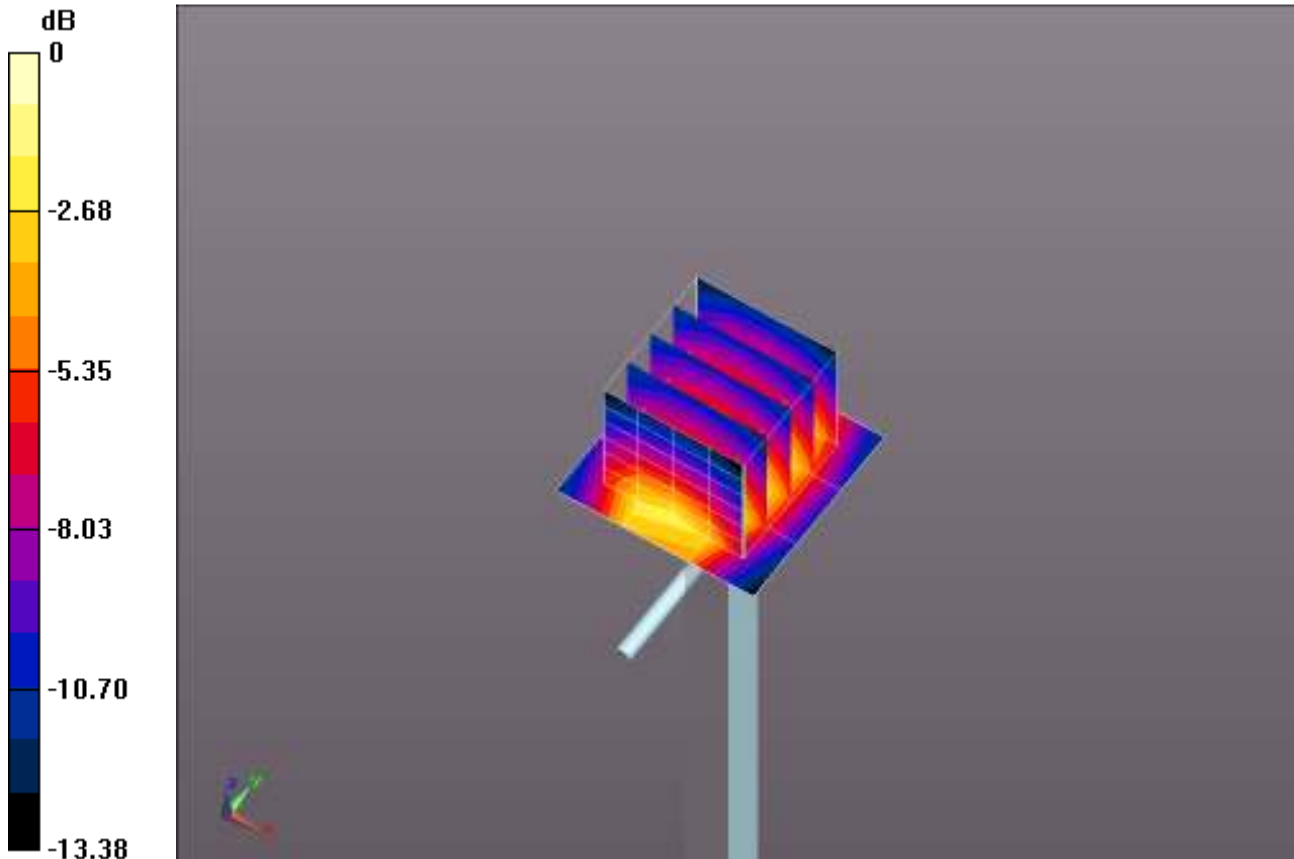
Comments: ;

DASY Configuration:

- Probe: ES3DV3 - SN3244; ConvF(4.66, 4.66, 4.66); Calibrated: 3/19/2014;
- Sensor-Surface: 3mm (Mechanical Surface Detection), $z = 2.0, 32.0$
- Electronics: DAE4 Sn1265; Calibrated: 1/29/2014
- Phantom: ELI 4.0; Type: QDOVA001BB; Serial: 1092
- DASYS2 52.8.1(838);

System Performance Check at Frequencies above 1 GHz 2/d=10mm, Pin=1W, dist=3.0mm (ES-Probe)/Area Scan (4x4x1): Measurement grid: $dx=15$ mm, $dy=15$ mm
 Maximum value of SAR (measured) = 30.6 mW/g

System Performance Check at Frequencies above 1 GHz 2/d=10mm, Pin=1W, dist=3.0mm (ES-Probe)/Zoom Scan (7x7x7) (5x5x7)/Cube 0: Measurement grid: $dx=8$ mm, $dy=8$ mm, $dz=5$ mm
 Reference Value = 181.9 V/m; Power Drift = -0.11 dB
 Peak SAR (extrapolated) = 64.811 mW/g
SAR(1 g) = 37.2 mW/g; SAR(10 g) = 19.6 mW/g
 Maximum value of SAR (measured) = 46.8 mW/g



0 dB = 30.6 mW/g = 29.70 dB mW/g

Plot 11

Date/Time: 5/12/2014 10:42:40 AM

Test Laboratory: Cetecom Inc. SAR 1 Lab

DUT: Dipole 1900 MHz - D1900V2 - SN5d172_June 2013; Type: D1900V2; Serial: D1900V2 - SN:5d172

Communication System: CW; Frequency: 1900 MHz

Medium: MSL1900_Batch 110615-4

Medium parameters used: $f = 1900$ MHz; $\sigma = 1.583$ mho/m; $\epsilon_r = 51.072$; $\rho = 1000$ kg/m³

Phantom section: Flat Section

Measurement Standard: DASYS (IEEE/IEC/ANSI C63.19-2007)

Procedure Notes: Test Technician: Lenny; Air Temperature: 21.6C; Medium Temperature: 20.7C;

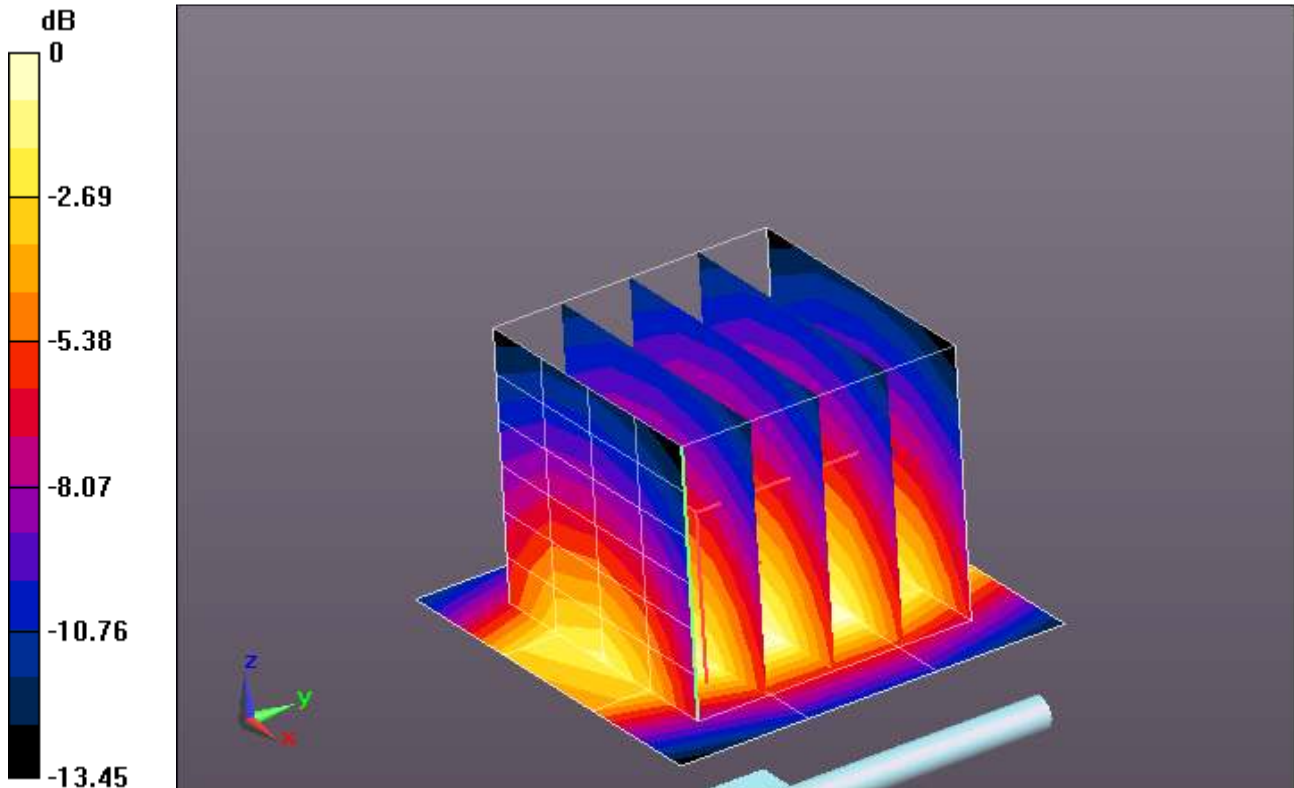
Comments: ;

DASY Configuration:

- Probe: ES3DV3 - SN3244; ConvF(4.66, 4.66, 4.66); Calibrated: 3/19/2014;
- Sensor-Surface: 3mm (Mechanical Surface Detection), $z = 2.0, 32.0$
- Electronics: DAE4 Sn1265; Calibrated: 1/29/2014
- Phantom: ELI 4.0; Type: QDOVA001BB; Serial: 1092
- DASYS2 52.8.1(838);

System Performance Check at Frequencies above 1 GHz/d=10mm, Pin=1W, dist=3.0mm (ES-Probe)/Area Scan (4x4x1): Measurement grid: dx=15mm, dy=15mm
 Maximum value of SAR (measured) = 33.2 mW/g

System Performance Check at Frequencies above 1 GHz/d=10mm, Pin=1W, dist=3.0mm (ES-Probe)/Zoom Scan (7x7x7) (5x5x7)/Cube 0: Measurement grid: dx=8mm, dy=8mm, dz=5mm
 Reference Value = 182.9 V/m; Power Drift = 0.00 dB
 Peak SAR (extrapolated) = 67.408 mW/g
SAR(1 g) = 38.6 mW/g; SAR(10 g) = 20.2 mW/g
 Maximum value of SAR (measured) = 48.8 mW/g



0 dB = 33.2 mW/g = 30.42 dB mW/g