

**Plot 1**

Date/Time: 8/9/2016 3:53:30 PM

Test Laboratory: Cetecom Inc. SAR 1 Lab

**DUT: ResMed; Type: Medical Device; Serial: 22161345318**

Communication System: UID 10011 - CAB, UMTS-FDD (WCDMA); Frequency: 1880 MHz

Medium: MSL1900\_Batch 110615-4

Medium parameters used:  $f = 1880$  MHz;  $\sigma = 1.518$  S/m;  $\epsilon_r = 51.368$ ;  $\rho = 1000$  kg/m<sup>3</sup>

Phantom section: Flat Section

Measurement Standard: DASYS5 (IEEE/IEC/ANSI C63.19-2007)

Procedure Notes: Test Technician: Kathy; Air Temperature: 24C; Medium Temperature: 23C; Comments: ;

DASY Configuration:

- Probe: ES3DV3 - SN3244; ConvF(4.81, 4.81, 4.81); Calibrated: 4/28/2016;
- Sensor-Surface: 3mm (Mechanical Surface Detection),  $z = 2.0, 32.0$
- Electronics: DAE4 Sn1265; Calibrated: 5/11/2016
- Phantom: ELI 4.0; Type: QDOVA001BA; Serial: 1092
- DASYS52 52.8.8(1222);

**Flat-Section 2/Left Side 20mm/Area Scan (15x11x1):** Measurement grid:  $dx=12$ mm,  $dy=12$ mm

Maximum value of SAR (measured) = 0.215 W/kg

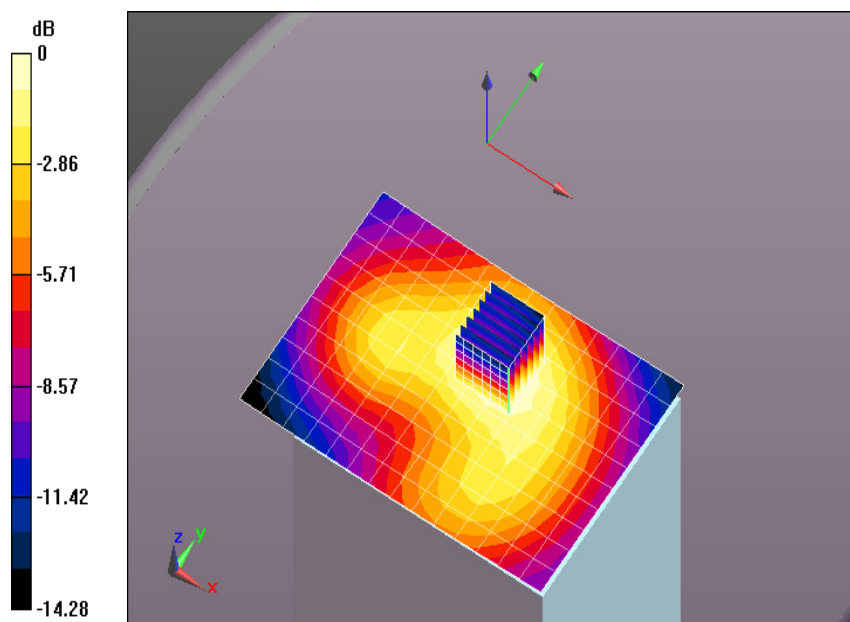
**Flat-Section 2/Left Side 20mm/Zoom Scan (7x7x7)/Cube 0:** Measurement grid:  $dx=5$ mm,  $dy=5$ mm,  $dz=5$ mm

Reference Value = 10.74 V/m; Power Drift = 0.04 dB

Peak SAR (extrapolated) = 0.273 W/kg

**SAR(1 g) = 0.189 W/kg; SAR(10 g) = 0.128 W/kg**

Maximum value of SAR (measured) = 0.218 W/kg



0 dB = 0.215 W/kg = -6.67 dBW/kg

**Plot 2**

Date/Time: 8/9/2016 4:43:30 PM

Test Laboratory: Cetecom Inc. SAR 1 Lab

**DUT: ResMed; Type: Medical Device; Serial: 22161345318**

Communication System: UID 10011 - CAB, UMTS-FDD (WCDMA); Frequency: 1880 MHz

Medium: MSL1900\_Batch 110615-4

Medium parameters used:  $f = 1880$  MHz;  $\sigma = 1.518$  S/m;  $\epsilon_r = 51.368$ ;  $\rho = 1000$  kg/m<sup>3</sup>

Phantom section: Flat Section

Measurement Standard: DASYS (IEEE/IEC/ANSI C63.19-2007)

Procedure Notes: Test Technician: Kathy; Air Temperature: 24C; Medium Temperature: 23.2C; Comments: ;

## DASY Configuration:

- Probe: ES3DV3 - SN3244; ConvF(4.81, 4.81, 4.81); Calibrated: 4/28/2016;
- Sensor-Surface: 3mm (Mechanical Surface Detection (Locations From Previous Scan Used)), Sensor-Surface: 3mm (Mechanical Surface Detection),  $z = 2.0, 32.0$
- Electronics: DAE4 Sn1265; Calibrated: 5/11/2016
- Phantom: ELI 4.0; Type: QDOVA001BA; Serial: 1092
- DASYS 52.8.8(1222);

**Flat-Section 2/Top 0mm/Area Scan (17x21x1):** Measurement grid:  $dx=12$ mm,  $dy=12$ mm

Maximum value of SAR (measured) = 0.643 W/kg

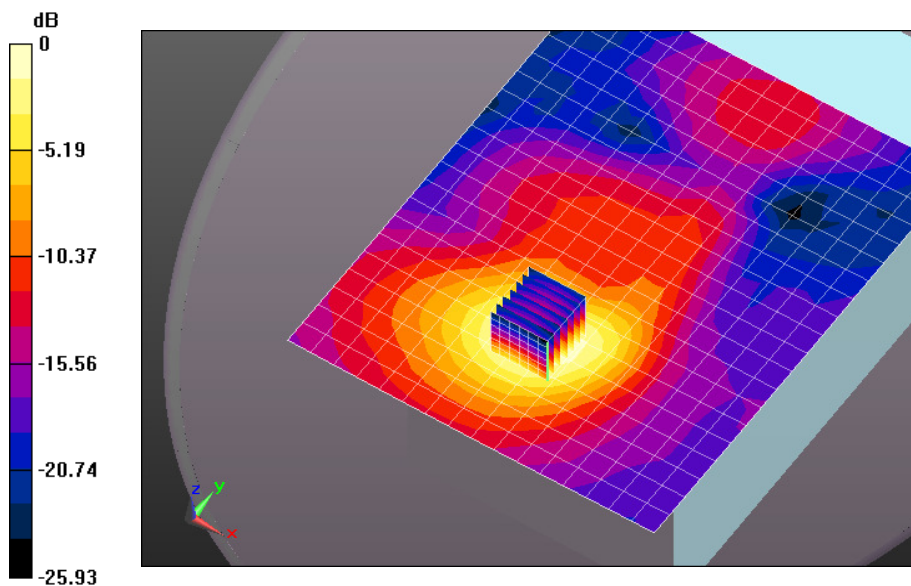
**Flat-Section 2/Top 0mm/Zoom Scan (7x7x7)/Cube 0:** Measurement grid:  $dx=5$ mm,  $dy=5$ mm,  $dz=5$ mm

Reference Value = 4.207 V/m; Power Drift = -0.02 dB

Peak SAR (extrapolated) = 0.869 W/kg

**SAR(1 g) = 0.581 W/kg; SAR(10 g) = 0.368 W/kg**

Maximum value of SAR (measured) = 0.685 W/kg



0 dB = 0.643 W/kg = -1.92 dBW/kg

Plot 3

Date/Time: 8/8/2016 5:17:11 PM

Test Laboratory: Cetecom Inc. SAR 1 Lab

**DUT: ResMed; Type: Medical Device; Serial: 22161345318**

Communication System: UID 10011 - CAB, UMTS-FDD (WCDMA); Frequency: 1880 MHz

Medium: MSL1900\_Batch 110615-4

Medium parameters used:  $f = 1880$  MHz;  $\sigma = 1.535$  S/m;  $\epsilon_r = 51.142$ ;  $\rho = 1000$  kg/m<sup>3</sup>

Phantom section: Flat Section

Measurement Standard: DASY5 (IEEE/IEC/ANSI C63.19-2007)

Procedure Notes: Test Technician: Kathy; Air Temperature: 24C; Medium Temperature: 23.2C; Comments: ;

DASY Configuration:

- Probe: ES3DV3 - SN3244; ConvF(4.81, 4.81, 4.81); Calibrated: 4/28/2016;
- Sensor-Surface: 3mm (Mechanical Surface Detection (Locations From Previous Scan Used)), Sensor-Surface: 3mm (Mechanical Surface Detection),  $z = 2.0, 32.0$
- Electronics: DAE4 Sn1265; Calibrated: 5/11/2016
- Phantom: ELI 4.0; Type: QDOVA001BA; Serial: 1092
- DASY52 52.8.8(1222);

**Flat-Section/Back 0mm/Area Scan (17x21x1):** Measurement grid: dx=12mm, dy=12mm

Maximum value of SAR (measured) = 0.172 W/kg

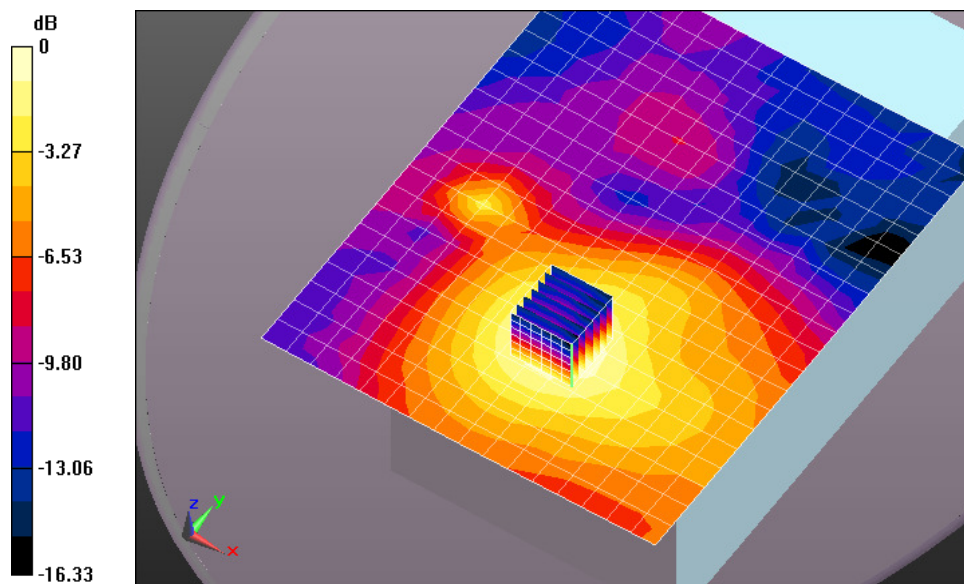
**Flat-Section/Back 0mm/Zoom Scan (7x7x7)/Cube 0:** Measurement grid: dx=5mm, dy=5mm, dz=5mm

Reference Value = 3.964 V/m; Power Drift = -0.04 dB

Peak SAR (extrapolated) = 0.243 W/kg

**SAR(1 g) = 0.165 W/kg; SAR(10 g) = 0.109 W/kg**

Maximum value of SAR (measured) = 0.192 W/kg



0 dB = 0.172 W/kg = -7.64 dBW/kg

Plot 4

Date/Time: 8/17/2016 4:10:22 PM

Test Laboratory: Cetecom Inc. SAR 1 Lab

**DUT: ResMed; Type: Medical Device; Serial: 22161345318**

Communication System: UID 10011 - CAB, UMTS-FDD (WCDMA); Frequency: 1732.6 MHz

Medium: MSL1750\_Batch 100824-2

Medium parameters used:  $f = 1733$  MHz;  $\sigma = 1.438$  S/m;  $\epsilon_r = 51.668$ ;  $\rho = 1000$  kg/m<sup>3</sup>

Phantom section: Flat Section

Measurement Standard: DASY5 (IEEE/IEC/ANSI C63.19-2007)

Procedure Notes: Test Technician: Kathy; Air Temperature: 24C; Medium Temperature: 22.6C; Comments: ;

DASY Configuration:

- Probe: ES3DV3 - SN3244; ConvF(5.06, 5.06, 5.06); Calibrated: 4/28/2016;
- Sensor-Surface: 3mm (Mechanical Surface Detection),  $z = 2.0, 32.0$
- Electronics: DAE4 Sn1265; Calibrated: 5/11/2016
- Phantom: ELI 4.0; Type: QDOVA001BA; Serial: 1092
- DASY52 52.8.8(1222);

**Flat-Section 2/Left Side 20mm/Area Scan (15x11x1):** Measurement grid:  $dx=12$ mm,  $dy=12$ mm

Maximum value of SAR (measured) = 0.144 W/kg

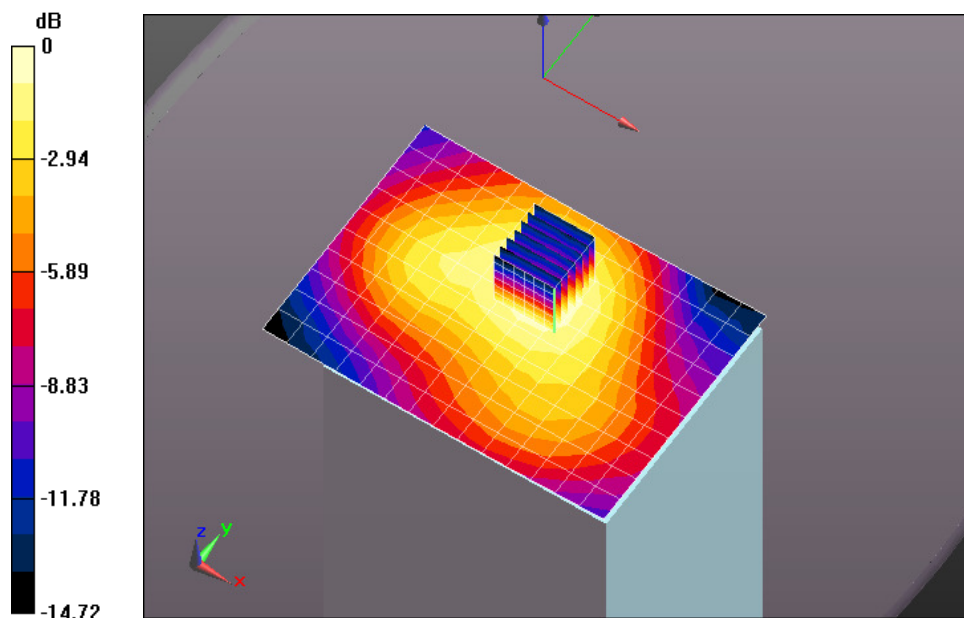
**Flat-Section 2/Left Side 20mm/Zoom Scan (7x7x7)/Cube 0:** Measurement grid:  $dx=5$ mm,  $dy=5$ mm,  $dz=5$ mm

Reference Value = 9.017 V/m; Power Drift = -0.14 dB

Peak SAR (extrapolated) = 0.179 W/kg

**SAR(1 g) = 0.122 W/kg; SAR(10 g) = 0.083 W/kg**

Maximum value of SAR (measured) = 0.141 W/kg



0 dB = 0.144 W/kg = -8.42 dBW/kg

Plot 5

Date/Time: 8/17/2016 3:24:08 PM

Test Laboratory: Cetecom Inc. SAR 1 Lab

**DUT: ResMed; Type: Medical Device; Serial: 22161345318**

Communication System: UID 10011 - CAB, UMTS-FDD (WCDMA); Frequency: 1732.6 MHz

Medium: MSL1750\_Batch 100824-2

Medium parameters used:  $f = 1733$  MHz;  $\sigma = 1.438$  S/m;  $\epsilon_r = 51.668$ ;  $\rho = 1000$  kg/m<sup>3</sup>

Phantom section: Flat Section

Measurement Standard: DASYS (IEEE/IEC/ANSI C63.19-2007)

Procedure Notes: Test Technician: Kathy; Air Temperature: 24C; Medium Temperature: 22.7C; Comments: ;

DASY Configuration:

- Probe: ES3DV3 - SN3244; ConvF(5.06, 5.06, 5.06); Calibrated: 4/28/2016;
- Sensor-Surface: 3mm (Mechanical Surface Detection (Locations From Previous Scan Used)), Sensor-Surface: 3mm (Mechanical Surface Detection),  $z = 2.0, 32.0$
- Electronics: DAE4 Sn1265; Calibrated: 5/11/2016
- Phantom: ELI 4.0; Type: QDOVA001BA; Serial: 1092
- DASYS52 52.8.8(1222);

**Flat-Section 2/Top 0mm\_/Area Scan (11x10x1):** Measurement grid: dx=12mm, dy=12mm

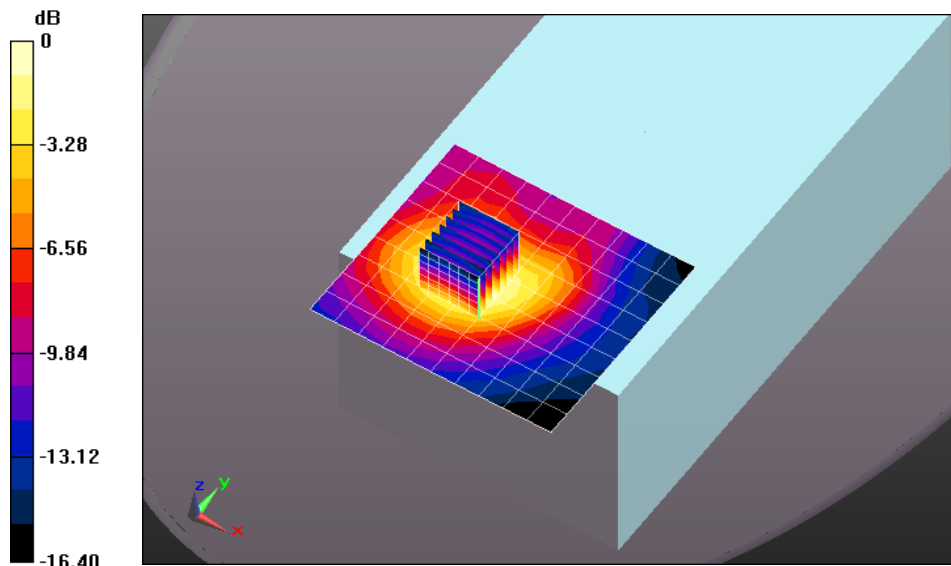
Maximum value of SAR (measured) = 0.426 W/kg

**Flat-Section 2/Top 0mm\_/Zoom Scan (7x7x7)/Cube 0:** Measurement grid: dx=5mm, dy=5mm, dz=5mm

Reference Value = 2.357 V/m; Power Drift = 0.07 dB

Peak SAR (extrapolated) = 0.549 W/kg

**SAR(1 g) = 0.361 W/kg; SAR(10 g) = 0.228 W/kg**  
 Maximum value of SAR (measured) = 0.427 W/kg



0 dB = 0.426 W/kg = -3.70 dBW/kg

**Plot 6**

Date/Time: 8/17/2016 3:47:01 PM

Test Laboratory: Cetecom Inc. SAR 1 Lab

**DUT: ResMed; Type: Medical Device; Serial: 22161345318**

Communication System: UID 10011 - CAB, UMTS-FDD (WCDMA); Frequency: 1732.6 MHz

Medium: MSL1750\_Batch 100824-2

Medium parameters used:  $f = 1733$  MHz;  $\sigma = 1.438$  S/m;  $\epsilon_r = 51.668$ ;  $\rho = 1000$  kg/m<sup>3</sup>

Phantom section: Flat Section

Measurement Standard: DASY5 (IEEE/IEC/ANSI C63.19-2007)

Procedure Notes: Test Technician: Kathy; Air Temperature: 24C; Medium Temperature: 22.7C; Comments: ;

DASY Configuration:

- Probe: ES3DV3 - SN3244; ConvF(5.06, 5.06, 5.06); Calibrated: 4/28/2016;
- Sensor-Surface: 3mm (Mechanical Surface Detection (Locations From Previous Scan Used)), Sensor-Surface: 3mm (Mechanical Surface Detection),  $z = 2.0, 32.0$
- Electronics: DAE4 Sn1265; Calibrated: 5/11/2016
- Phantom: ELI 4.0; Type: QDOVA001BA; Serial: 1092
- DASY52 52.8.8(1222);

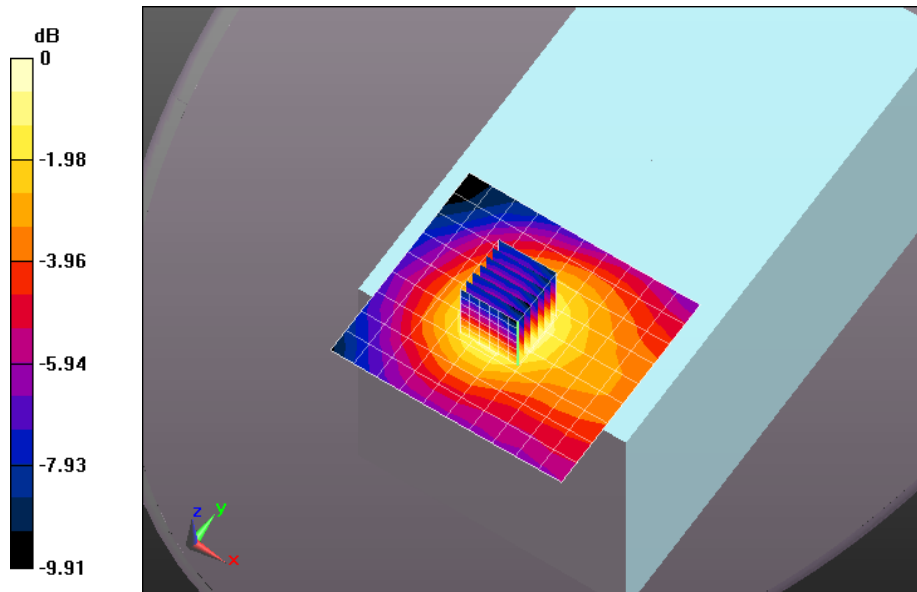
**Flat-Section 2/Back 0mm\_/Area Scan (11x10x1):** Measurement grid: dx=12mm, dy=12mm

Maximum value of SAR (measured) = 0.114 W/kg

**Flat-Section 2/Back 0mm\_/Zoom Scan (7x7x7)/Cube 0:** Measurement grid: dx=5mm, dy=5mm, dz=5mm

Reference Value = 7.185 V/m; Power Drift = -0.12 dB

Peak SAR (extrapolated) = 0.161 W/kg  
**SAR(1 g) = 0.108 W/kg; SAR(10 g) = 0.072 W/kg**  
 Maximum value of SAR (measured) = 0.125 W/kg



0 dB = 0.114 W/kg = -9.43 dBW/kg

**Plot 7**

Date/Time: 8/19/2016 3:38:30 PM

Test Laboratory: Cetecom Inc. SAR 1 Lab

**DUT: ResMed; Type: Medical Device; Serial: 22161345318**

Communication System: UID 10011 - CAB, UMTS-FDD (WCDMA); Frequency: 836.6 MHz

Medium: MSL900\_Batch 100818-1

Medium parameters used:  $f = 837$  MHz;  $\sigma = 0.975$  S/m;  $\epsilon_r = 53.787$ ;  $\rho = 1000$  kg/m<sup>3</sup>

Phantom section: Flat Section

Measurement Standard: DASY5 (IEEE/IEC/ANSI C63.19-2007)

Procedure Notes: Test Technician: Kathy; Air Temperature: 24C; Medium Temperature: 22.6C; Comments: ;

DASY Configuration:

- Probe: ES3DV3 - SN3244; ConvF(6.24, 6.24, 6.24); Calibrated: 4/28/2016;
- Sensor-Surface: 3mm (Mechanical Surface Detection), z = 2.0, 32.0
- Electronics: DAE4 Sn1265; Calibrated: 5/11/2016
- Phantom: ELI 4.0; Type: QDOVA001BA; Serial: 1092
- DASY52 52.8.8(1222);

**Flat-Section 2/Left Side 20mm/Area Scan (15x11x1):** Measurement grid: dx=12mm, dy=12mm

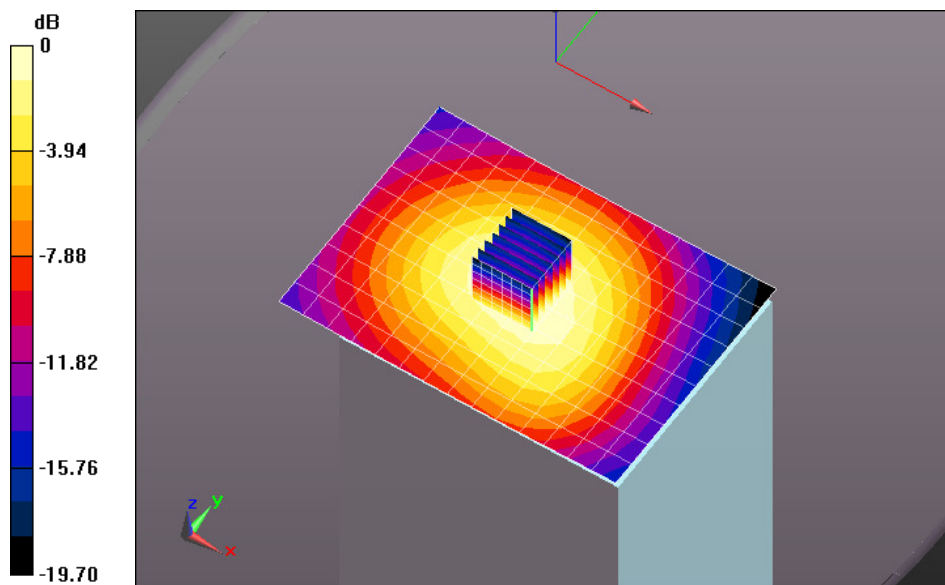
Maximum value of SAR (measured) = 0.426 W/kg

**Flat-Section 2/Left Side 20mm/Zoom Scan (7x7x7)/Cube 0:** Measurement grid: dx=5mm, dy=5mm, dz=5mm

Reference Value = 20.25 V/m; Power Drift = 0.01 dB

Peak SAR (extrapolated) = 0.498 W/kg

**SAR(1 g) = 0.378 W/kg; SAR(10 g) = 0.279 W/kg**  
Maximum value of SAR (measured) = 0.421 W/kg



0 dB = 0.426 W/kg = -3.71 dBW/kg



**Plot 8**

Date/Time: 8/19/2016 2:45:26 PM

Test Laboratory: Cetecom Inc. SAR 1 Lab

**DUT: ResMed; Type: Medical Device; Serial: 22161345318**

Communication System: UID 10011 - CAB, UMTS-FDD (WCDMA); Frequency: 836.6 MHz

Medium: MSL900\_Batch 100818-1

Medium parameters used:  $f = 837$  MHz;  $\sigma = 0.975$  S/m;  $\epsilon_r = 53.787$ ;  $\rho = 1000$  kg/m<sup>3</sup>

Phantom section: Flat Section

Measurement Standard: DASYS (IEEE/IEC/ANSI C63.19-2007)

Procedure Notes: Test Technician: Kathy; Air Temperature: 24C; Medium Temperature: 22.7C; Comments: ;

DASY Configuration:

- Probe: ES3DV3 - SN3244; ConvF(6.24, 6.24, 6.24); Calibrated: 4/28/2016;
- Sensor-Surface: 3mm (Mechanical Surface Detection),  $z = 2.0, 32.0$
- Electronics: DAE4 Sn1265; Calibrated: 5/11/2016
- Phantom: ELI 4.0; Type: QDOVA001BA; Serial: 1092
- DASYS2 52.8.8(1222);

**Flat-Section 2/Back 0mm/Area Scan (13x15x1):** Measurement grid:  $dx=12$ mm,  $dy=12$ mm

Maximum value of SAR (measured) = 0.0728 W/kg

**Flat-Section 2/Back 0mm/Zoom Scan (7x7x7)/Cube 0:** Measurement grid:  $dx=5$ mm,  $dy=5$ mm,  $dz=5$ mm

Reference Value = 5.679 V/m; Power Drift = -0.06 dB

Peak SAR (extrapolated) = 0.0860 W/kg

**SAR(1 g) = 0.065 W/kg; SAR(10 g) = 0.049 W/kg**

Maximum value of SAR (measured) = 0.0727 W/kg

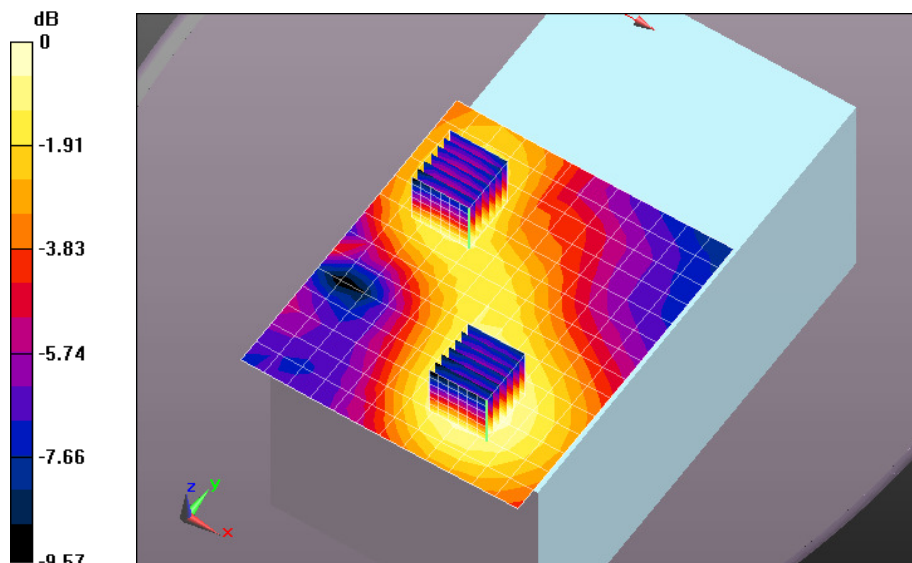
**Flat-Section 2/Back 0mm/Zoom Scan (7x7x7)/Cube 1:** Measurement grid:  $dx=5$ mm,  $dy=5$ mm,  $dz=5$ mm

Reference Value = 5.679 V/m; Power Drift = -0.06 dB

Peak SAR (extrapolated) = 0.0690 W/kg

**SAR(1 g) = 0.055 W/kg; SAR(10 g) = 0.042 W/kg**

Maximum value of SAR (measured) = 0.0595 W/kg



0 dB = 0.0728 W/kg = -11.38 dBW/kg

**Plot 9**

Date/Time: 8/19/2016 1:33:35 PM

Test Laboratory: Cetecom Inc. SAR 1 Lab

**DUT: ResMed; Type: Medical Device; Serial: 22161345318**

Communication System: UID 10011 - CAB, UMTS-FDD (WCDMA); Frequency: 836.6 MHz

Medium: MSL900\_Batch 100818-1

Medium parameters used:  $f = 837$  MHz;  $\sigma = 0.975$  S/m;  $\epsilon_r = 53.787$ ;  $\rho = 1000$  kg/m<sup>3</sup>

Phantom section: Flat Section

Measurement Standard: DASYS (IEEE/IEC/ANSI C63.19-2007)

Procedure Notes: Test Technician: Kathy; Air Temperature: 24C; Medium Temperature: 22.7C; Comments: ;

DASY Configuration:

- Probe: ES3DV3 - SN3244; ConvF(6.24, 6.24, 6.24); Calibrated: 4/28/2016;
- Sensor-Surface: 3mm (Mechanical Surface Detection (Locations From Previous Scan Used)), Sensor-Surface: 3mm (Mechanical Surface Detection),  $z = 2.0, 32.0$
- Electronics: DAE4 Sn1265; Calibrated: 5/11/2016
- Phantom: ELI 4.0; Type: QDOVA001BA; Serial: 1092
- DASY52 52.8.8(1222);

**Flat-Section 2/Top 0mm/Area Scan (11x10x1):** Measurement grid: dx=12mm, dy=12mm

Maximum value of SAR (measured) = 0.339 W/kg

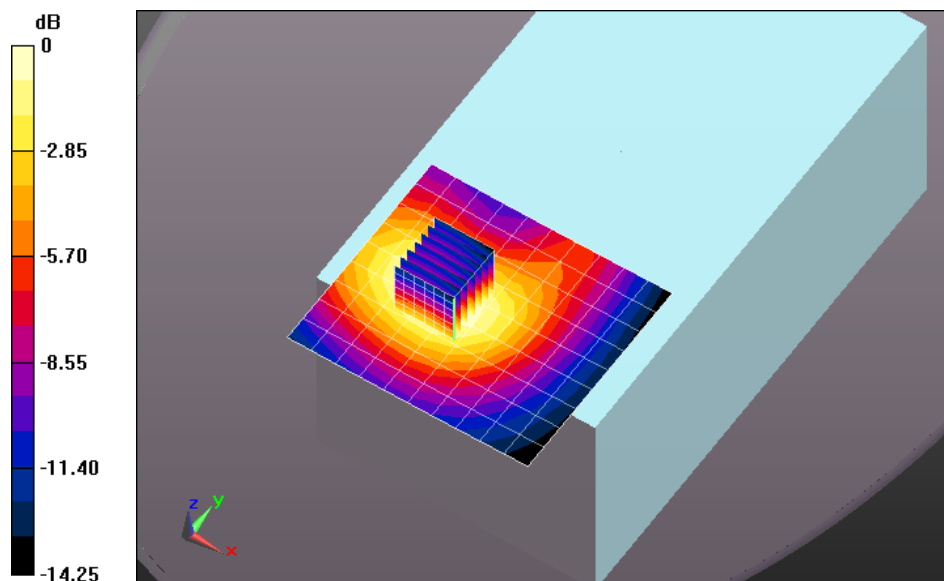
**Flat-Section 2/Top 0mm/Zoom Scan (7x7x7)/Cube 0:** Measurement grid: dx=5mm, dy=5mm, dz=5mm

Reference Value = 6.733 V/m; Power Drift = 0.14 dB

Peak SAR (extrapolated) = 0.474 W/kg

**SAR(1 g) = 0.341 W/kg; SAR(10 g) = 0.238 W/kg**

Maximum value of SAR (measured) = 0.388 W/kg



0 dB = 0.339 W/kg = -4.70 dBW/kg



**Plot 10**

Date/Time: 8/16/2016 10:50:23 AM

Test Laboratory: Cetecom Inc. SAR 1 Lab

**DUT: ResMed; Type: Medical Device; Serial: 22161345318**

Communication System: UID 10169 - CAB, LTE-FDD (SC-FDMA, 1 RB, 20 MHz, QPSK); Frequency: 1880 MHz

Medium: MSL1900\_Batch 110615-4

Medium parameters used:  $f = 1880$  MHz;  $\sigma = 1.494$  S/m;  $\epsilon_r = 52.563$ ;  $\rho = 1000$  kg/m<sup>3</sup>

Phantom section: Flat Section

Measurement Standard: DASYS (IEEE/IEC/ANSI C63.19-2007)

Procedure Notes: Test Technician: Kathy; Air Temperature: 23.7C; Medium Temperature: 23.2C; Comments: ;

DASY Configuration:

- Probe: ES3DV3 - SN3244; ConvF(4.81, 4.81, 4.81); Calibrated: 4/28/2016;
- Sensor-Surface: 3mm (Mechanical Surface Detection),  $z = 2.0, 32.0$
- Electronics: DAE4 Sn1265; Calibrated: 5/11/2016
- Phantom: ELI 4.0; Type: QDOVA001BA; Serial: 1092
- DASY52 52.8.8(1222);

**Flat-Section/Left Side 20mm/Area Scan (13x11x1):** Measurement grid:  $dx=12$ mm,  $dy=12$ mm

Maximum value of SAR (measured) = 0.200 W/kg

**Flat-Section/Left Side 20mm/Zoom Scan (7x7x7)/Cube 1:** Measurement grid:  $dx=5$ mm,  $dy=5$ mm,  $dz=5$ mm

Reference Value = 9.997 V/m; Power Drift = -0.08 dB

Peak SAR (extrapolated) = 0.177 W/kg

**SAR(1 g) = 0.119 W/kg; SAR(10 g) = 0.078 W/kg**

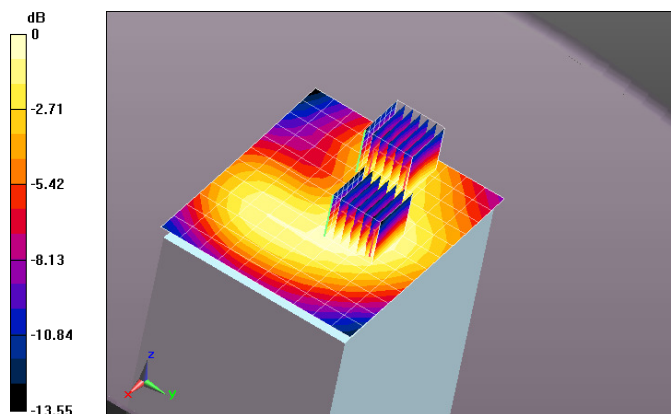
Maximum value of SAR (measured) = 0.139 W/kg

**Flat-Section/Left Side 20mm/Zoom Scan (7x7x7)/Cube 0:** Measurement grid:  $dx=5$ mm,  $dy=5$ mm,  $dz=5$ mm

Reference Value = 9.997 V/m; Power Drift = -0.08 dB

Peak SAR (extrapolated) = 0.250 W/kg

**SAR(1 g) = 0.174 W/kg; SAR(10 g) = 0.117 W/kg**



0 dB = 0.200 W/kg = -6.99 dBW/kg

**Plot 11**

Date/Time: 8/16/2016 9:21:25 AM

Test Laboratory: Cetecom Inc. SAR 1 Lab

**DUT: ResMed; Type: Medical Device; Serial: 22161345318**

Communication System: UID 10169 - CAB, LTE-FDD (SC-FDMA, 1 RB, 20 MHz, QPSK); Frequency: 1880 MHz

Medium: MSL1900\_Batch 110615-4

Medium parameters used:  $f = 1880$  MHz;  $\sigma = 1.494$  S/m;  $\epsilon_r = 52.563$ ;  $\rho = 1000$  kg/m<sup>3</sup>

Phantom section: Flat Section

Measurement Standard: DASYS (IEEE/IEC/ANSI C63.19-2007)

Procedure Notes: Test Technician: Kathy; Air Temperature: 23.4C; Medium Temperature: 23.4C; Comments: ;

DASY Configuration:

- Probe: ES3DV3 - SN3244; ConvF(4.81, 4.81, 4.81); Calibrated: 4/28/2016;
- Sensor-Surface: 3mm (Mechanical Surface Detection (Locations From Previous Scan Used)), Sensor-Surface: 3mm (Mechanical Surface Detection),  $z = 2.0, 32.0$
- Electronics: DAE4 Sn1265; Calibrated: 5/11/2016
- Phantom: ELI 4.0; Type: QDOVA001BA; Serial: 1092
- DASY52 52.8.8(1222);

**Flat-Section/Top 0mm/Area Scan (17x21x1):** Measurement grid: dx=12mm, dy=12mm

Maximum value of SAR (measured) = 0.832 W/kg

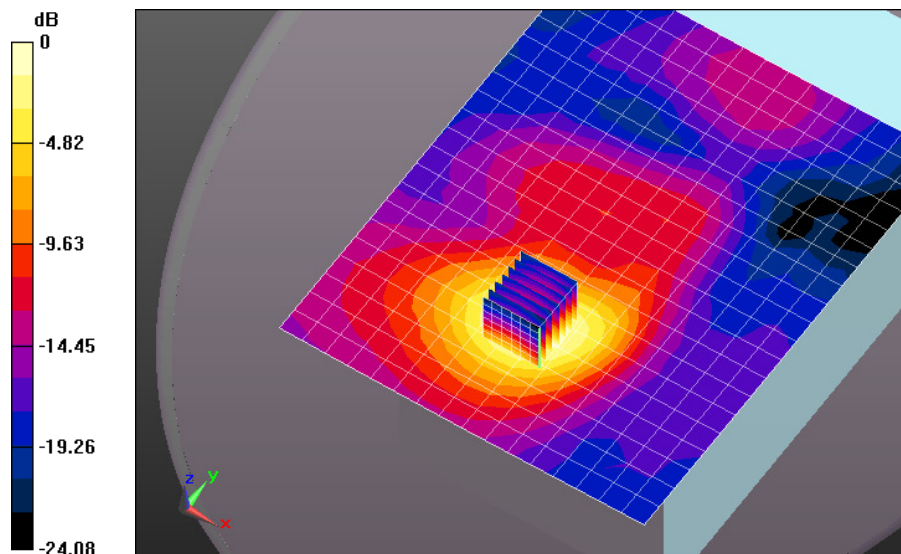
**Flat-Section/Top 0mm/Zoom Scan (7x7x7)/Cube 0:** Measurement grid: dx=5mm, dy=5mm, dz=5mm

Reference Value = 4.204 V/m; Power Drift = 0.03 dB

Peak SAR (extrapolated) = 1.07 W/kg

**SAR(1 g) = 0.712 W/kg; SAR(10 g) = 0.446 W/kg**

Maximum value of SAR (measured) = 0.844 W/kg



$$0 \text{ dB} = 0.832 \text{ W/kg} = -0.80 \text{ dBW/kg}$$

**Plot 12**

Date/Time: 8/16/2016 10:00:38 AM

Test Laboratory: Cetecom Inc. SAR 1 Lab

**DUT: ResMed; Type: Medical Device; Serial: 22161345318**

Communication System: UID 10169 - CAB, LTE-FDD (SC-FDMA, 1 RB, 20 MHz, QPSK); Frequency: 1880 MHz

Medium: MSL1900\_Batch 110615-4

Medium parameters used:  $f = 1880 \text{ MHz}$ ;  $\sigma = 1.494 \text{ S/m}$ ;  $\epsilon_r = 52.563$ ;  $\rho = 1000 \text{ kg/m}^3$ 

Phantom section: Flat Section

Measurement Standard: DASY5 (IEEE/IEC/ANSI C63.19-2007)

Procedure Notes: Test Technician: Kathy; Air Temperature: 23.7C; Medium Temperature: 23.2C; Comments: ;

DASY Configuration:

- Probe: ES3DV3 - SN3244; ConvF(4.81, 4.81, 4.81); Calibrated: 4/28/2016;
- Sensor-Surface: 3mm (Mechanical Surface Detection (Locations From Previous Scan Used)), Sensor-Surface: 3mm (Mechanical Surface Detection),  $z = 2.0, 32.0$
- Electronics: DAE4 Sn1265; Calibrated: 5/11/2016
- Phantom: ELI 4.0; Type: QDOVA001BA; Serial: 1092
- DASY52 52.8.8(1222);

**Flat-Section/Back 0mm/Area Scan (17x21x1):** Measurement grid:  $dx=12\text{mm}$ ,  $dy=12\text{mm}$ 

Maximum value of SAR (measured) = 0.150 W/kg

**Flat-Section/Back 0mm/Zoom Scan (7x7x7)/Cube 0:** Measurement grid:  $dx=5\text{mm}$ ,  $dy=5\text{mm}$ ,  $dz=5\text{mm}$ 

Reference Value = 4.253 V/m; Power Drift = 0.14 dB

Peak SAR (extrapolated) = 0.198 W/kg

**SAR(1 g) = 0.138 W/kg; SAR(10 g) = 0.093 W/kg**

Maximum value of SAR (measured) = 0.159 W/kg

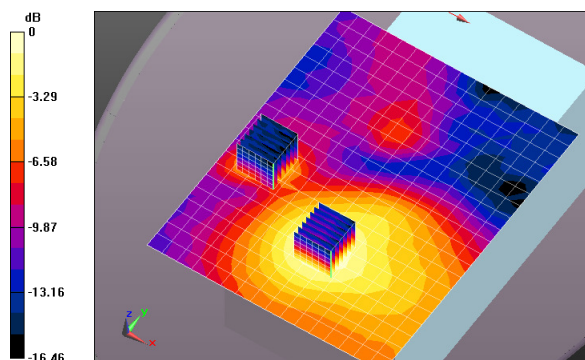
**Flat-Section/Back 0mm/Zoom Scan (7x7x7)/Cube 1:** Measurement grid:  $dx=5\text{mm}$ ,  $dy=5\text{mm}$ ,  $dz=5\text{mm}$ 

Reference Value = 4.253 V/m; Power Drift = 0.14 dB

Peak SAR (extrapolated) = 0.233 W/kg

**SAR(1 g) = 0.101 W/kg; SAR(10 g) = 0.050 W/kg**

Maximum value of SAR (measured) = 0.141 W/kg



0 dB = 0.150 W/kg = -8.24 dBW/kg

**Plot 13**

Date/Time: 8/16/2016 11:46:55 AM

Test Laboratory: Cetecom Inc. SAR 1 Lab

**DUT: ResMed; Type: Medical Device; Serial: 22161345318**

Communication System: UID 10297 - AAA, LTE-FDD (SC-FDMA, 50% RB, 20 MHz, QPSK); Frequency: 1880 MHz

Medium: MSL1900\_Batch 110615-4

Medium parameters used:  $f = 1880$  MHz;  $\sigma = 1.494$  S/m;  $\epsilon_r = 52.563$ ;  $\rho = 1000$  kg/m<sup>3</sup>

Phantom section: Flat Section

Measurement Standard: DASYS (IEEE/IEC/ANSI C63.19-2007)

Procedure Notes: Test Technician: Kathy; Air Temperature: 23.7C; Medium Temperature: 23.2C; Comments: ;

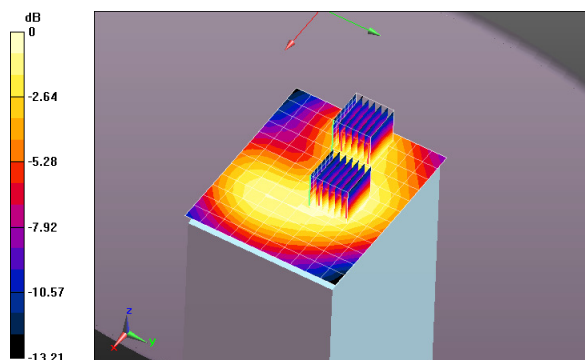
DASY Configuration:

- Probe: ES3DV3 - SN3244; ConvF(4.81, 4.81, 4.81); Calibrated: 4/28/2016;
- Sensor-Surface: 3mm (Mechanical Surface Detection),  $z = 2.0, 32.0$
- Electronics: DAE4 Sn1265; Calibrated: 5/11/2016
- Phantom: ELI 4.0; Type: QDOVA001BA; Serial: 1092
- DASYS2 52.8.8(1222);

**Flat-Section/Left Side 20mm\_50-0/Area Scan (13x11x1):** Measurement grid:  $dx=12$ mm,  $dy=12$ mm  
 Maximum value of SAR (measured) = 0.156 W/kg

**Flat-Section/Left Side 20mm\_50-0/Zoom Scan (7x7x7)/Cube 0:** Measurement grid:  $dx=5$ mm,  $dy=5$ mm,  $dz=5$ mm  
 Reference Value = 9.130 V/m; Power Drift = 0.01 dB  
 Peak SAR (extrapolated) = 0.197 W/kg  
**SAR(1 g) = 0.135 W/kg; SAR(10 g) = 0.091 W/kg**

**Flat-Section/Left Side 20mm\_50-0/Zoom Scan (7x7x7)/Cube 1:** Measurement grid:  $dx=5$ mm,  $dy=5$ mm,  $dz=5$ mm  
 Reference Value = 9.130 V/m; Power Drift = 0.01 dB  
 Peak SAR (extrapolated) = 0.141 W/kg  
**SAR(1 g) = 0.097 W/kg; SAR(10 g) = 0.064 W/kg**  
 Maximum value of SAR (measured) = 0.112 W/kg



0 dB = 0.156 W/kg = -8.07 dBW/kg

**Plot 14**

Date/Time: 8/16/2016 12:44:53 PM

Test Laboratory: Cetecom Inc. SAR 1 Lab

**DUT: ResMed; Type: Medical Device; Serial: 22161345318**

Communication System: UID 10297 - AAA, LTE-FDD (SC-FDMA, 50% RB, 20 MHz, QPSK); Frequency: 1880 MHz

Medium: MSL1900\_Batch 110615-4

Medium parameters used:  $f = 1880$  MHz;  $\sigma = 1.494$  S/m;  $\epsilon_r = 52.563$ ;  $\rho = 1000$  kg/m<sup>3</sup>

Phantom section: Flat Section

Measurement Standard: DASYS (IEEE/IEC/ANSI C63.19-2007)

Procedure Notes: Test Technician: Kathy; Air Temperature: 23.9C; Medium Temperature: 23.2C; Comments: ;

DASY Configuration:

- Probe: ES3DV3 - SN3244; ConvF(4.81, 4.81, 4.81); Calibrated: 4/28/2016;
- Sensor-Surface: 3mm (Mechanical Surface Detection (Locations From Previous Scan Used)), Sensor-Surface: 3mm (Mechanical Surface Detection),  $z = 2.0, 32.0$
- Electronics: DAE4 Sn1265; Calibrated: 5/11/2016
- Phantom: ELI 4.0; Type: QDOVA001BA; Serial: 1092
- DASY52 52.8.8(1222);

**Flat-Section/Top 0mm \_50-0/Area Scan (17x21x1):** Measurement grid: dx=12mm, dy=12mm

Maximum value of SAR (measured) = 0.513 W/kg

**Flat-Section/Top 0mm \_50-0/Zoom Scan (7x7x7)/Cube 0:** Measurement grid: dx=5mm, dy=5mm, dz=5mm

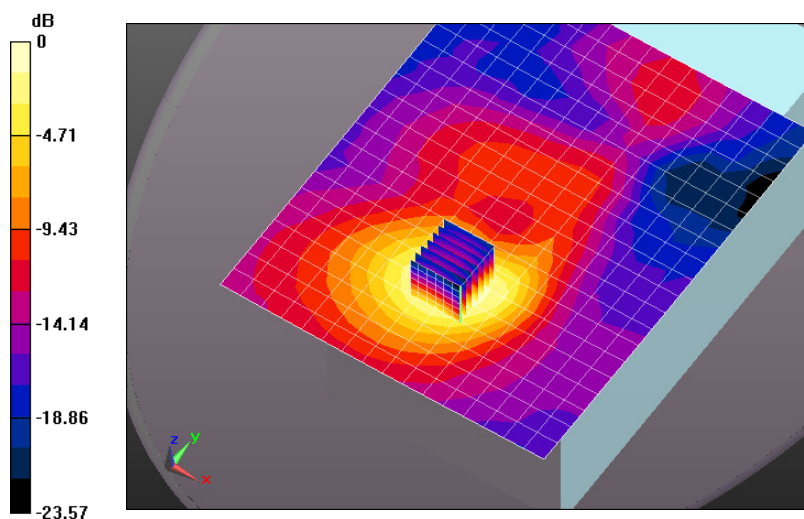
Reference Value = 4.592 V/m; Power Drift = -0.14 dB

Peak SAR (extrapolated) = 0.660 W/kg

**SAR(1 g) = 0.448 W/kg; SAR(10 g) = 0.288 W/kg**

Maximum value of SAR (measured) = 0.523 W/kg





0 dB = 0.513 W/kg = -2.90 dBW/kg

**Plot 15**

Date/Time: 8/16/2016 1:19:51 PM

Test Laboratory: Cetecom Inc. SAR 1 Lab

**DUT: ResMed; Type: Medical Device; Serial: 22161345318**

Communication System: UID 10297 - AAA, LTE-FDD (SC-FDMA, 50% RB, 20 MHz, QPSK); Frequency: 1880 MHz

Medium: MSL1900\_Batch 110615-4

Medium parameters used:  $f = 1880$  MHz;  $\sigma = 1.494$  S/m;  $\epsilon_r = 52.563$ ;  $\rho = 1000$  kg/m<sup>3</sup>

Phantom section: Flat Section

Measurement Standard: DASYS (IEEE/IEC/ANSI C63.19-2007)

Procedure Notes: Test Technician: Kathy; Air Temperature: 24C; Medium Temperature: 23.2C; Comments: ;

DASY Configuration:

- Probe: ES3DV3 - SN3244; ConvF(4.81, 4.81, 4.81); Calibrated: 4/28/2016;
- Sensor-Surface: 3mm (Mechanical Surface Detection (Locations From Previous Scan Used)), Sensor-Surface: 3mm (Mechanical Surface Detection),  $z = 2.0, 32.0$
- Electronics: DAE4 Sn1265; Calibrated: 5/11/2016
- Phantom: ELI 4.0; Type: QDOVA001BA; Serial: 1092
- DASY52 52.8.8(1222);

**Flat-Section/Back 0mm \_50-0/Area Scan (17x21x1):** Measurement grid:  $dx=12$ mm,  $dy=12$ mm

Maximum value of SAR (measured) = 0.131 W/kg

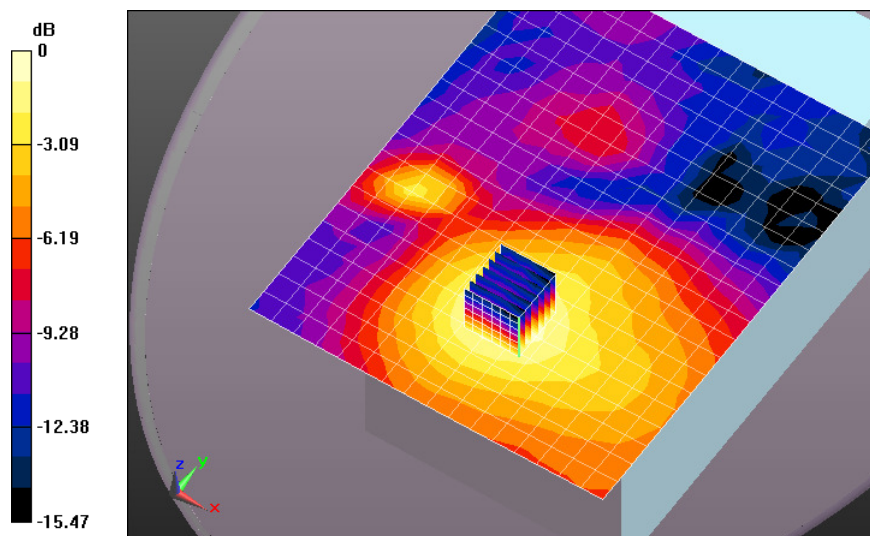
**Flat-Section/Back 0mm \_50-0/Zoom Scan (7x7x7)/Cube 0:** Measurement grid:  $dx=5$ mm,  $dy=5$ mm,  $dz=5$ mm

Reference Value = 3.206 V/m; Power Drift = 0.14 dB

Peak SAR (extrapolated) = 0.178 W/kg

**SAR(1 g) = 0.119 W/kg; SAR(10 g) = 0.080 W/kg**

Maximum value of SAR (measured) = 0.138 W/kg



0 dB = 0.131 W/kg = -8.83 dBW/kg

**Plot 16**

Date/Time: 9/15/2016 8:11:43 AM

Test Laboratory: Cetecom Inc. SAR 1 Lab

**DUT: ResMed; Type: Medical Device; Serial: 22161345318**

Communication System: UID 10169 - CAB, LTE-FDD (SC-FDMA, 1 RB, 20 MHz, QPSK); Frequency: 1850 MHz

Medium: MSL1900\_Batch 110615-4

Medium parameters used:  $f = 1850$  MHz;  $\sigma = 1.501$  S/m;  $\epsilon_r = 51.683$ ;  $\rho = 1000$  kg/m<sup>3</sup>

Phantom section: Flat Section

Measurement Standard: DASYS (IEEE/IEC/ANSI C63.19-2007)

Procedure Notes: Test Technician: Kathy; Air Temperature: 22.9C; Medium Temperature: 23.0C; Comments: ;

DASY Configuration:

- Probe: ES3DV3 - SN3244; ConvF(4.81, 4.81, 4.81); Calibrated: 4/28/2016;
- Sensor-Surface: 3mm (Mechanical Surface Detection (Locations From Previous Scan Used)), Sensor-Surface: 3mm (Mechanical Surface Detection),  $z = 2.0, 32.0$
- Electronics: DAE4 Sn1265; Calibrated: 5/11/2016
- Phantom: ELI 4.0; Type: QDOVA001BA; Serial: 1092
- DASY52 52.8.8(1222);

**Flat-Section 3/Top 0mm\_1860/Area Scan (13x11x1):** Measurement grid:  $dx=12$ mm,  $dy=12$ mm

Maximum value of SAR (measured) = 0.772 W/kg

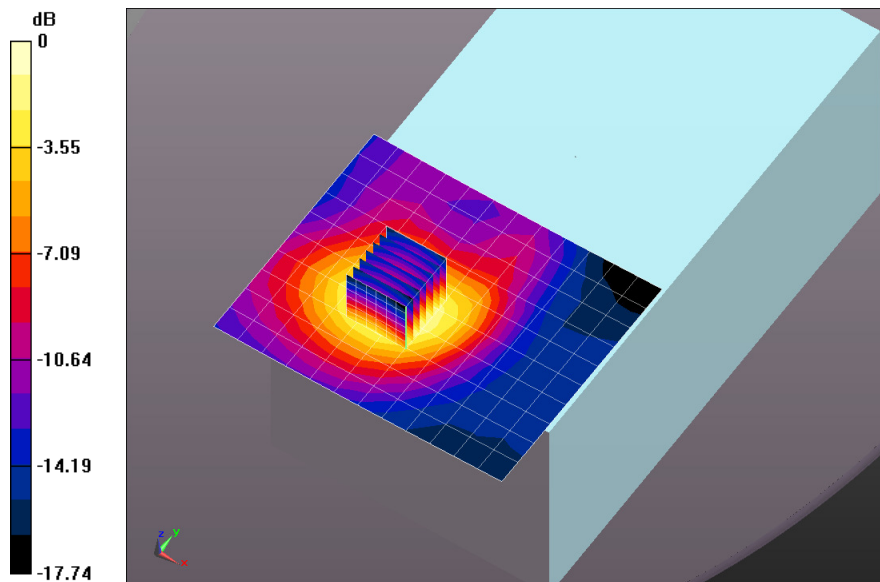
**Flat-Section 3/Top 0mm\_1860/Zoom Scan (7x7x7)/Cube 0:** Measurement grid:  $dx=5$ mm,  $dy=5$ mm,  $dz=5$ mm

Reference Value = 23.08 V/m; Power Drift = -0.12 dB

Peak SAR (extrapolated) = 0.941 W/kg

**SAR(1 g) = 0.627 W/kg; SAR(10 g) = 0.392 W/kg**

Maximum value of SAR (measured) = 0.736 W/kg



0 dB = 0.772 W/kg = -1.12 dBW/kg



**Plot 17**

Date/Time: 9/14/2016 4:31:55 PM

Test Laboratory: Cetecom Inc. SAR 1 Lab

**DUT: ResMed; Type: Medical Device; Serial: 22161345304**

Communication System: UID 10169 - CAB, LTE-FDD (SC-FDMA, 1 RB, 20 MHz, QPSK); Frequency: 1909.9 MHz

Medium: MSL1900\_Batch 110615-4

Medium parameters used:  $f = 1910$  MHz;  $\sigma = 1.567$  S/m;  $\epsilon_r = 51.56$ ;  $\rho = 1000$  kg/m<sup>3</sup>

Phantom section: Flat Section

Measurement Standard: DASY5 (IEEE/IEC/ANSI C63.19-2007)

Procedure Notes: Test Technician: Kathy; Air Temperature: 23.5C; Medium Temperature: 23.4C; Comments: ;

DASY Configuration:

- Probe: ES3DV3 - SN3244; ConvF(4.81, 4.81, 4.81); Calibrated: 4/28/2016;
- Sensor-Surface: 3mm (Mechanical Surface Detection),  $z = 2.0, 32.0$
- Electronics: DAE4 Sn1265; Calibrated: 5/11/2016
- Phantom: ELI 4.0; Type: QDOVA001BA; Serial: 1092
- DASY52 52.8.8(1222);

**Flat-Section 2/Top 0mm\_1900 MHz/Area Scan (13x11x1):** Measurement grid:  $dx=12$ mm,  $dy=12$ mm  
 Maximum value of SAR (measured) = 0.959 W/kg

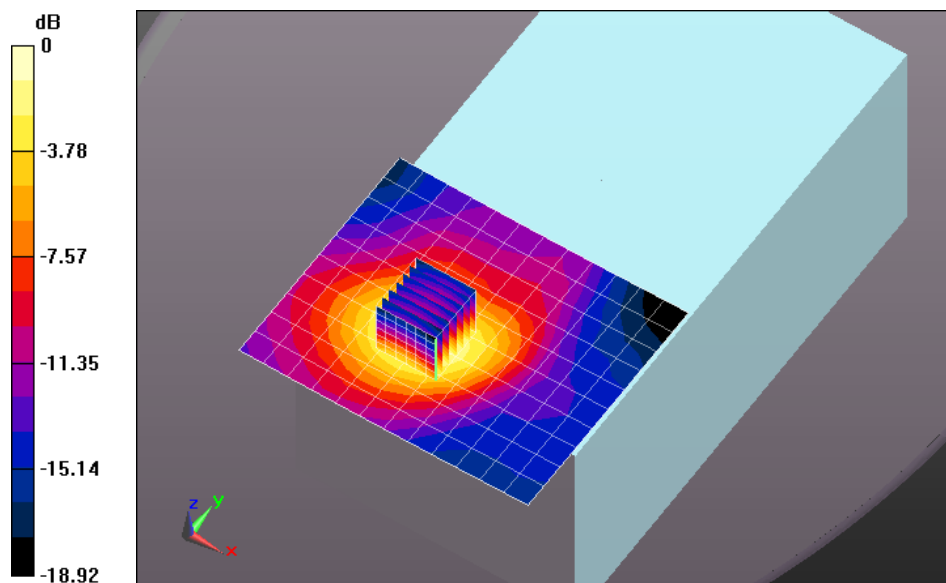
**Flat-Section 2/Top 0mm\_1900 MHz/Zoom Scan (7x7x7)/Cube 0:** Measurement grid:  $dx=5$ mm,  $dy=5$ mm,  $dz=5$ mm

Reference Value = 23.44 V/m; Power Drift = -0.17 dB

Peak SAR (extrapolated) = 1.25 W/kg

**SAR(1 g) = 0.813 W/kg; SAR(10 g) = 0.495 W/kg**

Maximum value of SAR (measured) = 0.969 W/kg



$$0 \text{ dB} = 0.959 \text{ W/kg} = -0.18 \text{ dBW/kg}$$

**Plot 18**

Date/Time: 9/14/2016 6:43:57 PM

Test Laboratory: Cetecom Inc. SAR 1 Lab

**DUT: ResMed; Type: Medical Device; Serial: 22161345318**

Communication System: UID 10169 - CAB, LTE-FDD (SC-FDMA, 1 RB, 20 MHz, QPSK); Frequency: 1909.9 MHz

Medium: MSL1900\_Batch 110615-4

Medium parameters used:  $f = 1910 \text{ MHz}$ ;  $\sigma = 1.567 \text{ S/m}$ ;  $\epsilon_r = 51.56$ ;  $\rho = 1000 \text{ kg/m}^3$ 

Phantom section: Flat Section

Measurement Standard: DASYS (IEEE/IEC/ANSI C63.19-2007)

Procedure Notes: Test Technician: Kathy; Air Temperature: 23.5C; Medium Temperature: 23.4C; Comments: ;

## DASY Configuration:

- Probe: ES3DV3 - SN3244; ConvF(4.81, 4.81, 4.81); Calibrated: 4/28/2016;
- Sensor-Surface: 3mm (Mechanical Surface Detection),  $z = 2.0, 32.0$
- Electronics: DAE4 Sn1265; Calibrated: 5/11/2016
- Phantom: ELI 4.0; Type: QDOVA001BA; Serial: 1092
- DASYS2 52.8.8(1222);

**Flat-Section 3/Repeatability\_Top 0mm\_1900 MHz/Area Scan (13x11x1):** Measurement grid: $dx=12\text{mm}$ ,  $dy=12\text{mm}$ 

Maximum value of SAR (measured) = 0.956 W/kg

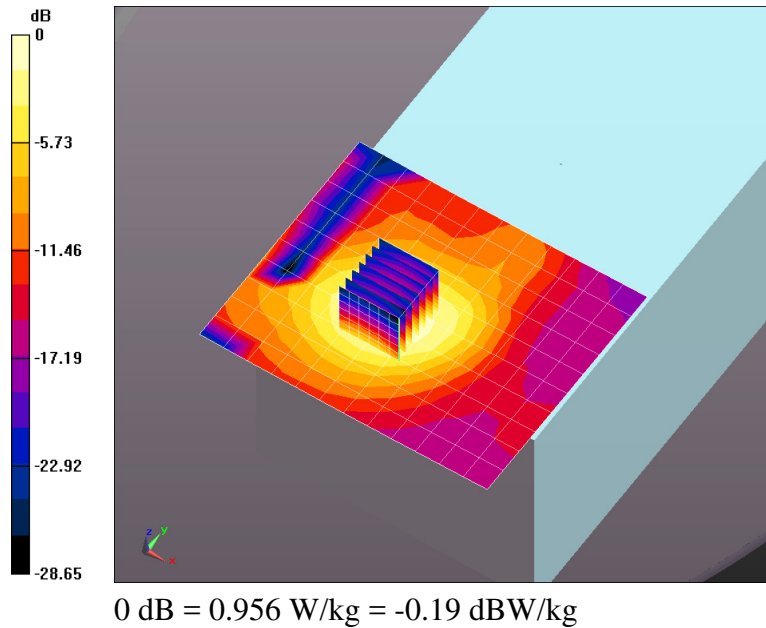
**Flat-Section 3/Repeatability\_Top 0mm\_1900 MHz/Zoom Scan (7x7x7)/Cube 0:** Measurement grid: $dx=5\text{mm}$ ,  $dy=5\text{mm}$ ,  $dz=5\text{mm}$ 

Reference Value = 24.17 V/m; Power Drift = -0.20 dB

Peak SAR (extrapolated) = 1.26 W/kg

**SAR(1 g) = 0.828 W/kg; SAR(10 g) = 0.516 W/kg**

Maximum value of SAR (measured) = 0.975 W/kg



**Plot 19**

Date/Time: 9/15/2016 1:54:10 PM

Test Laboratory: Cetecom Inc. SAR 1 Lab

**DUT: ResMed; Type: Medical Device; Serial: 22161345318**

Communication System: UID 10100 - CAB, LTE-FDD (SC-FDMA, 100% RB, 20 MHz, QPSK); Frequency: 1880 MHz

Medium: MSL1900\_Batch 110615-4

Medium parameters used:  $f = 1880$  MHz;  $\sigma = 1.542$  S/m;  $\epsilon_r = 51.278$ ;  $\rho = 1000$  kg/m<sup>3</sup>

Phantom section: Flat Section

Measurement Standard: DASy5 (IEEE/IEC/ANSI C63.19-2007)

Procedure Notes: Test Technician: Kathy; Air Temperature: 22.9C; Medium Temperature: 21.5C; Comments: ;

**DASy Configuration:**

- Probe: ES3DV3 - SN3244; ConvF(4.81, 4.81, 4.81); Calibrated: 4/28/2016;
- Sensor-Surface: 3mm (Mechanical Surface Detection (Locations From Previous Scan Used)), Sensor-Surface: 3mm (Mechanical Surface Detection),  $z = 2.0, 32.0$
- Electronics: DAE4 Sn1265; Calibrated: 5/11/2016
- Phantom: ELI 4.0; Type: QDOVA001BA; Serial: 1092
- DASy52 52.8.8(1222);

**Flat-Section 4/Top 0mm\_1880 MHz/Area Scan (13x11x1):** Measurement grid:  $dx=12$ mm,  $dy=12$ mm

Maximum value of SAR (measured) = 0.732 W/kg

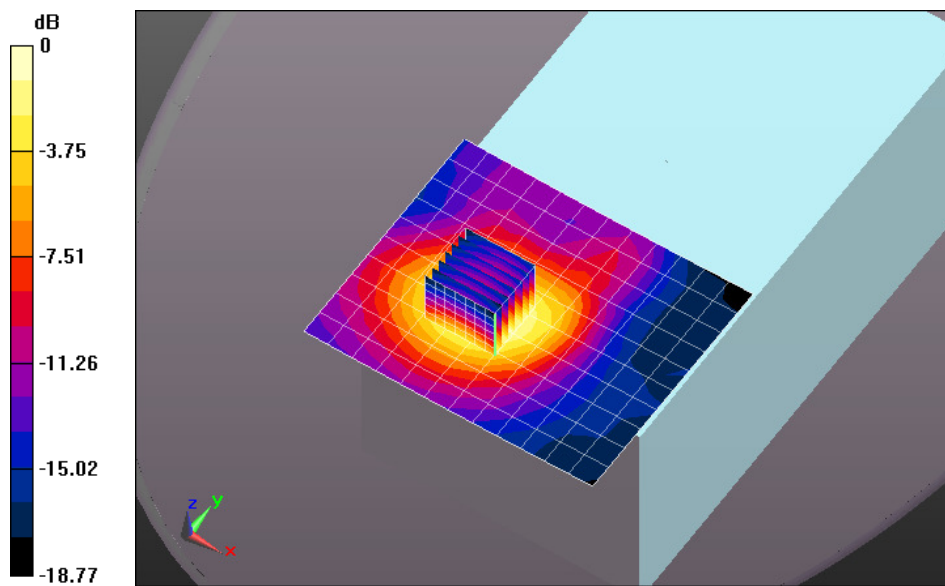
**Flat-Section 4/Top 0mm\_1880 MHz/Zoom Scan (8x7x7)/Cube 0:** Measurement grid:  $dx=5$ mm,  $dy=5$ mm,  $dz=5$ mm

Reference Value = 21.39 V/m; Power Drift = -0.18 dB

Peak SAR (extrapolated) = 0.914 W/kg

**SAR(1 g) = 0.594 W/kg; SAR(10 g) = 0.368 W/kg**

Maximum value of SAR (measured) = 0.703 W/kg



0 dB = 0.732 W/kg = -1.35 dBW/kg



**Plot 20**

Date/Time: 8/18/2016 5:21:09 PM

Test Laboratory: Cetecom Inc. SAR 1 Lab

**DUT: ResMed; Type: Medical Device; Serial: 22161345318**

Communication System: UID 10169 - CAB, LTE-FDD (SC-FDMA, 1 RB, 20 MHz, QPSK); Frequency: 1747.5 MHz

Medium: MSL1750\_Batch 100824-2

Medium parameters used (interpolated):  $f = 1747.5$  MHz;  $\sigma = 1.462$  S/m;  $\epsilon_r = 52.116$ ;  $\rho = 1000$  kg/m<sup>3</sup>

Phantom section: Flat Section

Measurement Standard: DASYS (IEEE/IEC/ANSI C63.19-2007)

Procedure Notes: Test Technician: Kathy; Air Temperature: 24C; Medium Temperature: 23.2C; Comments: ;

DASY Configuration:

- Probe: ES3DV3 - SN3244; ConvF(5.06, 5.06, 5.06); Calibrated: 4/28/2016;
- Sensor-Surface: 3mm (Mechanical Surface Detection (Locations From Previous Scan Used)), Sensor-Surface: 3mm (Mechanical Surface Detection),  $z = 2.0, 32.0$
- Electronics: DAE4 Sn1265; Calibrated: 5/11/2016
- Phantom: ELI 4.0; Type: QDOVA001BA; Serial: 1092
- DASY52 52.8.8(1222);

**Flat-Section 2/Left Side 20mm\_1-0/Area Scan (14x11x1):** Measurement grid:  $dx=12$ mm,  $dy=12$ mm

Info: [Interpolated medium parameters used for SAR evaluation.](#)

Maximum value of SAR (measured) = 0.114 W/kg

**Flat-Section 2/Left Side 20mm\_1-0/Zoom Scan (7x7x7)/Cube 0:** Measurement grid:  $dx=5$ mm,  $dy=5$ mm,  $dz=5$ mm

Reference Value = 8.926 V/m; Power Drift = -0.20 dB

Peak SAR (extrapolated) = 0.145 W/kg

**SAR(1 g) = 0.098 W/kg; SAR(10 g) = 0.065 W/kg**

Info: [Interpolated medium parameters used for SAR evaluation.](#)

Maximum value of SAR (measured) = 0.115 W/kg

**Flat-Section 2/Left Side 20mm\_1-0/Zoom Scan (7x7x7)/Cube 1:** Measurement grid:  $dx=5$ mm,  $dy=5$ mm,  $dz=5$ mm

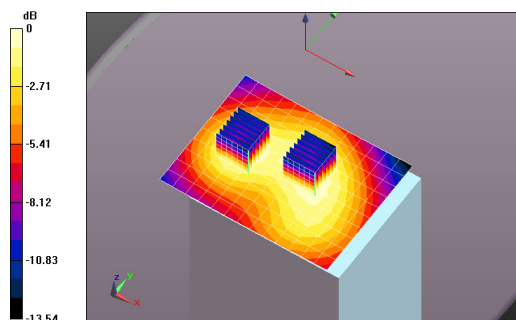
Reference Value = 8.926 V/m; Power Drift = -0.20 dB

Peak SAR (extrapolated) = 0.134 W/kg

**SAR(1 g) = 0.092 W/kg; SAR(10 g) = 0.063 W/kg**

Info: [Interpolated medium parameters used for SAR evaluation.](#)

Maximum value of SAR (measured) = 0.106 W/kg



$$0 \text{ dB} = 0.114 \text{ W/kg} = -9.42 \text{ dBW/kg}$$

**Plot 21**

Date/Time: 8/18/2016 11:39:29 AM

Test Laboratory: Cetecom Inc. SAR 1 Lab

**DUT: ResMed; Type: Medical Device; Serial: 22161345304**

Communication System: UID 10169 - CAB, LTE-FDD (SC-FDMA, 1 RB, 20 MHz, QPSK); Frequency: 1732.5 MHz

Medium: MSL1750\_Batch 100824-2

Medium parameters used (interpolated):  $f = 1732.5 \text{ MHz}$ ;  $\sigma = 1.445 \text{ S/m}$ ;  $\epsilon_r = 52.213$ ;  $\rho = 1000 \text{ kg/m}^3$

Phantom section: Flat Section

Measurement Standard: DASYS (IEEE/IEC/ANSI C63.19-2007)

Procedure Notes: Test Technician: Kathy; Air Temperature: 23.4C; Medium Temperature: 23.5C; Comments: ;

DASY Configuration:

- Probe: ES3DV3 - SN3244; ConvF(5.06, 5.06, 5.06); Calibrated: 4/28/2016;
- Sensor-Surface: 3mm (Mechanical Surface Detection (Locations From Previous Scan Used)), Sensor-Surface: 3mm (Mechanical Surface Detection),  $z = 2.0, 32.0$
- Electronics: DAE4 Sn1265; Calibrated: 5/11/2016
- Phantom: ELI 4.0; Type: QDOVA001BA; Serial: 1092
- DASYS2 52.8.8(1222);

**Flat-Section/Top 0mm\_1-0/Area Scan (11x10x1):** Measurement grid:  $dx=12\text{mm}$ ,  $dy=12\text{mm}$

[Info: Interpolated medium parameters used for SAR evaluation.](#)

Maximum value of SAR (measured) = 0.456 W/kg

**Flat-Section/Top 0mm\_1-0/Zoom Scan (7x7x7)/Cube 0:** Measurement grid:  $dx=5\text{mm}$ ,  $dy=5\text{mm}$ ,  $dz=5\text{mm}$

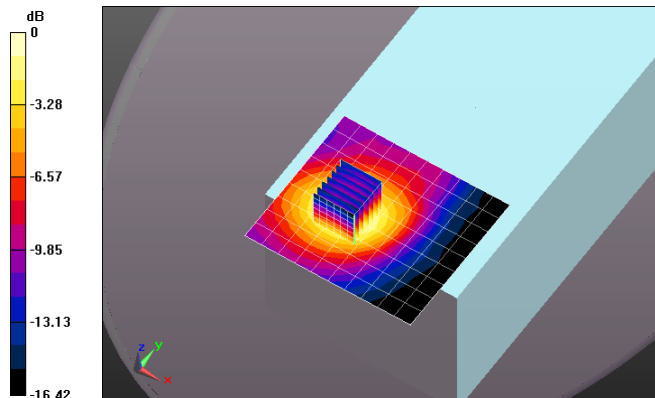
Reference Value = 18.20 V/m; Power Drift = 0.03 dB

Peak SAR (extrapolated) = 0.567 W/kg

**SAR(1 g) = 0.377 W/kg; SAR(10 g) = 0.239 W/kg**

[Info: Interpolated medium parameters used for SAR evaluation.](#)

Maximum value of SAR (measured) = 0.440 W/kg



---

$$0 \text{ dB} = 0.456 \text{ W/kg} = -3.41 \text{ dBW/kg}$$

**Plot 22**

Date/Time: 8/18/2016 2:11:54 PM

Test Laboratory: Cetecom Inc. SAR 1 Lab

**DUT: ResMed; Type: Medical Device; Serial: 22161345304**

Communication System: UID 10169 - CAB, LTE-FDD (SC-FDMA, 1 RB, 20 MHz, QPSK); Frequency: 1732.5 MHz  
 Medium: MSL1750\_Batch 100824-2

Medium parameters used (interpolated):  $f = 1732.5$  MHz;  $\sigma = 1.445$  S/m;  $\epsilon_r = 52.213$ ;  $\rho = 1000$  kg/m<sup>3</sup>

Phantom section: Flat Section

Measurement Standard: DASYS (IEEE/IEC/ANSI C63.19-2007)

Procedure Notes: Test Technician: Kathy; Air Temperature: 23.4C; Medium Temperature: 23.5C; Comments: ;

DASY Configuration:

- Probe: ES3DV3 - SN3244; ConvF(5.06, 5.06, 5.06); Calibrated: 4/28/2016;
- Sensor-Surface: 3mm (Mechanical Surface Detection (Locations From Previous Scan Used)), Sensor-Surface: 3mm (Mechanical Surface Detection),  $z = 2.0, 32.0$
- Electronics: DAE4 Sn1265; Calibrated: 5/11/2016
- Phantom: ELI 4.0; Type: QDOVA001BA; Serial: 1092
- DASY52 52.8.8(1222);

**Flat-Section/Back 0mm\_1-0/Area Scan (11x10x1):** Measurement grid: dx=12mm, dy=12mm

[Info: Interpolated medium parameters used for SAR evaluation.](#)

Maximum value of SAR (measured) = 0.0975 W/kg

**Flat-Section/Back 0mm\_1-0/Zoom Scan (7x7x7)/Cube 0:** Measurement grid: dx=5mm, dy=5mm, dz=5mm

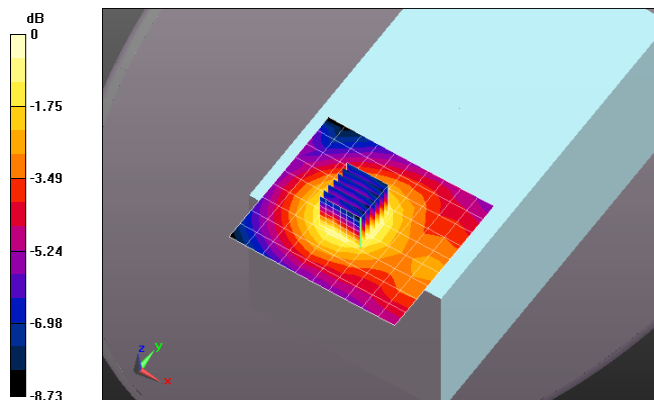
Reference Value = 8.151 V/m; Power Drift = -0.16 dB

Peak SAR (extrapolated) = 0.133 W/kg

**SAR(1 g) = 0.091 W/kg; SAR(10 g) = 0.062 W/kg**

[Info: Interpolated medium parameters used for SAR evaluation.](#)

Maximum value of SAR (measured) = 0.108 W/kg



0 dB = 0.0975 W/kg = -10.11 dBW/kg



**Plot 23**

Date/Time: 8/19/2016 8:08:12 AM

Test Laboratory: Cetecom Inc. SAR 1 Lab

**DUT: ResMed; Type: Medical Device; Serial: 22161345318**Communication System: UID 10297 - AAA, LTE-FDD (SC-FDMA, 50% RB, 20 MHz, QPSK); Frequency: 1747.5 MHz  
Medium: MSL1750\_Batch 100824-2Medium parameters used (interpolated):  $f = 1747.5$  MHz;  $\sigma = 1.462$  S/m;  $\epsilon_r = 52.116$ ;  $\rho = 1000$  kg/m<sup>3</sup>

Phantom section: Flat Section

Measurement Standard: DASYS (IEEE/IEC/ANSI C63.19-2007)

Procedure Notes: Test Technician: Kathy; Air Temperature: 24C; Medium Temperature: 23.2C; Comments: ;

DASY Configuration:

- Probe: ES3DV3 - SN3244; ConvF(5.06, 5.06, 5.06); Calibrated: 4/28/2016;
- Sensor-Surface: 3mm (Mechanical Surface Detection (Locations From Previous Scan Used)), Sensor-Surface: 3mm (Mechanical Surface Detection),  $z = 2.0, 32.0$
- Electronics: DAE4 Sn1265; Calibrated: 5/11/2016
- Phantom: ELI 4.0; Type: QDOVA001BA; Serial: 1092
- DASYS2 52.8.8(1222);

**Flat-Section 2/Left Side 20mm\_50-0/Area Scan (14x11x1):** Measurement grid: dx=12mm, dy=12mmInfo: [Interpolated medium parameters used for SAR evaluation.](#)

Maximum value of SAR (measured) = 0.0895 W/kg

**Flat-Section 2/Left Side 20mm\_50-0/Zoom Scan (7x7x7)/Cube 0:** Measurement grid: dx=5mm, dy=5mm, dz=5mm

Reference Value = 7.914 V/m; Power Drift = -0.07 dB

Peak SAR (extrapolated) = 0.114 W/kg

**SAR(1 g) = 0.078 W/kg; SAR(10 g) = 0.052 W/kg**Info: [Interpolated medium parameters used for SAR evaluation.](#)

Maximum value of SAR (measured) = 0.0903 W/kg

**Flat-Section 2/Left Side 20mm\_50-0/Zoom Scan (7x7x7)/Cube 1:** Measurement grid: dx=5mm, dy=5mm, dz=5mm

Reference Value = 7.914 V/m; Power Drift = -0.07 dB

Peak SAR (extrapolated) = 0.115 W/kg

**SAR(1 g) = 0.077 W/kg; SAR(10 g) = 0.052 W/kg**Info: [Interpolated medium parameters used for SAR evaluation.](#)

Maximum value of SAR (measured) = 0.0885 W/kg

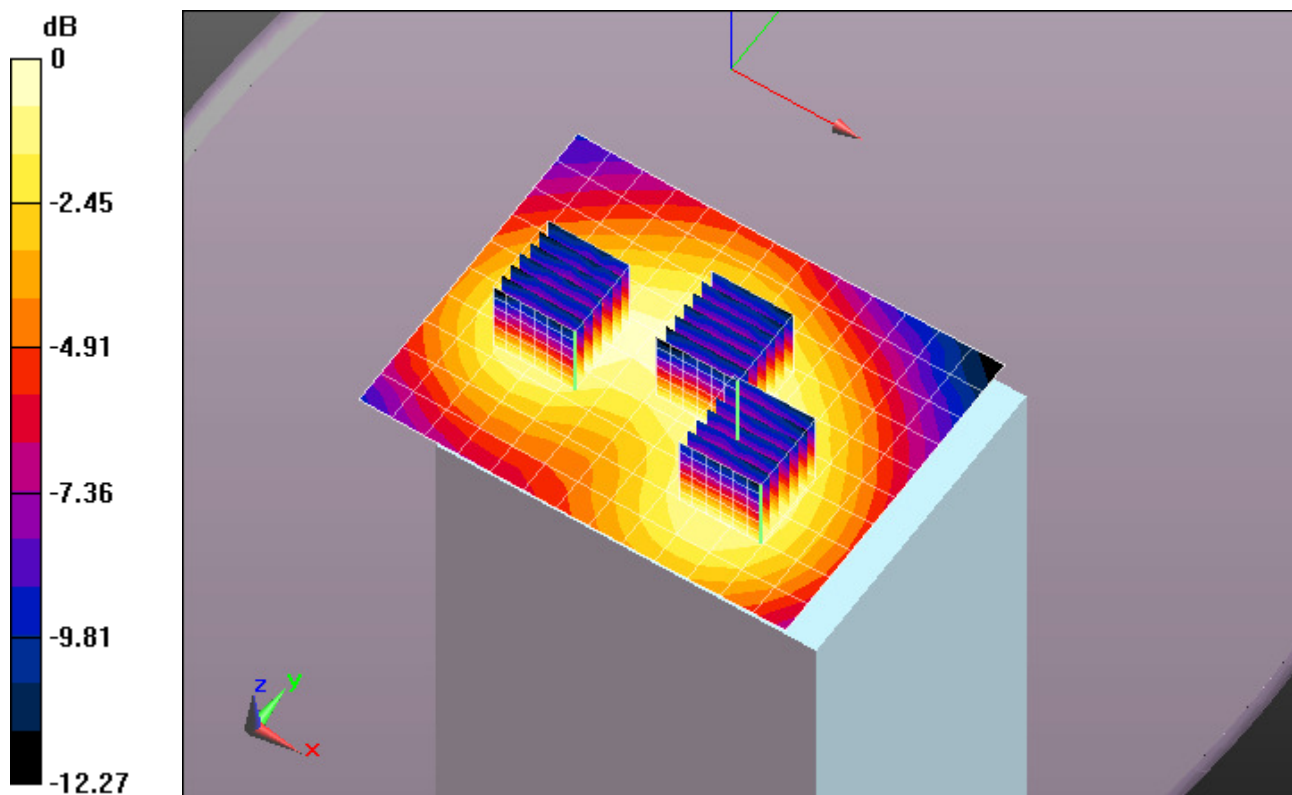
**Flat-Section 2/Left Side 20mm\_50-0/Zoom Scan (7x7x7)/Cube 2:** Measurement grid: dx=5mm, dy=5mm, dz=5mm

Reference Value = 7.914 V/m; Power Drift = -0.07 dB

Peak SAR (extrapolated) = 0.101 W/kg

**SAR(1 g) = 0.070 W/kg; SAR(10 g) = 0.048 W/kg**

Maximum value of SAR (measured) = 0.0810 W/kg



0 dB = 0.0895 W/kg = -10.48 dBW/kg

**Plot 24**

Date/Time: 8/18/2016 10:56:28 AM

Test Laboratory: Cetecom Inc. SAR 1 Lab

**DUT: ResMed; Type: Medical Device; Serial: 22161345304**

Communication System: UID 10297 - AAA, LTE-FDD (SC-FDMA, 50% RB, 20 MHz, QPSK); Frequency: 1747.5 MHz

Medium: MSL1750\_Batch 100824-2

Medium parameters used (interpolated):  $f = 1747.5$  MHz;  $\sigma = 1.462$  S/m;  $\epsilon_r = 52.116$ ;  $\rho = 1000$  kg/m<sup>3</sup>

Phantom section: Flat Section

Measurement Standard: DASYS (IEEE/IEC/ANSI C63.19-2007)

Procedure Notes: Test Technician: Kathy; Air Temperature: 23.9C; Medium Temperature: 23.2C; Comments: ;

DASY Configuration:

- Probe: ES3DV3 - SN3244; ConvF(5.06, 5.06, 5.06); Calibrated: 4/28/2016;
- Sensor-Surface: 3mm (Mechanical Surface Detection (Locations From Previous Scan Used)), Sensor-Surface: 3mm (Mechanical Surface Detection),  $z = 2.0, 32.0$
- Electronics: DAE4 Sn1265; Calibrated: 5/11/2016
- Phantom: ELI 4.0; Type: QDOVA001BA; Serial: 1092
- DASY52 52.8.8(1222);

**Flat-Section/Top 0mm \_50-0/Area Scan (11x10x1):** Measurement grid: dx=12mm, dy=12mm[Info: Interpolated medium parameters used for SAR evaluation.](#)

Maximum value of SAR (measured) = 0.359 W/kg

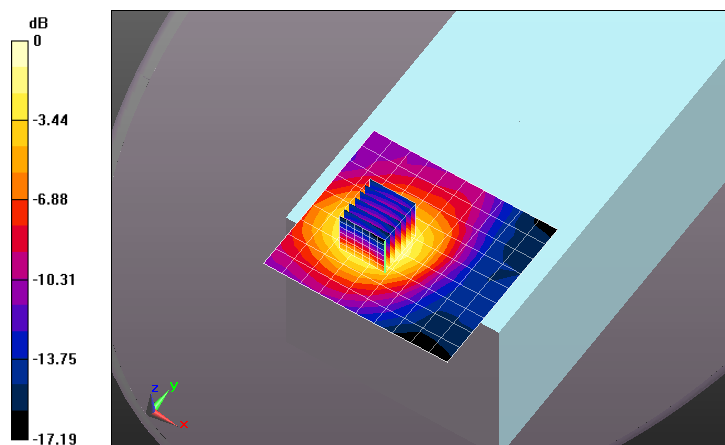
**Flat-Section/Top 0mm \_50-0/Zoom Scan (7x7x7)/Cube 0:** Measurement grid: dx=5mm, dy=5mm, dz=5mm

Reference Value = 16.36 V/m; Power Drift = -0.01 dB

Peak SAR (extrapolated) = 0.463 W/kg

**SAR(1 g) = 0.311 W/kg; SAR(10 g) = 0.197 W/kg**[Info: Interpolated medium parameters used for SAR evaluation.](#)

Maximum value of SAR (measured) = 0.365 W/kg





$$0 \text{ dB} = 0.359 \text{ W/kg} = -4.45 \text{ dBW/kg}$$

**Plot 25**

Date/Time: 8/18/2016 2:39:25 PM

Test Laboratory: Cetecom Inc. SAR 1 Lab

**DUT: ResMed; Type: Medical Device; Serial: 22161345304**

Communication System: UID 10297 - AAA, LTE-FDD (SC-FDMA, 50% RB, 20 MHz, QPSK); Frequency: 1747.5 MHz

Medium: MSL1750\_Batch 100824-2

Medium parameters used (interpolated):  $f = 1747.5 \text{ MHz}$ ;  $\sigma = 1.462 \text{ S/m}$ ;  $\epsilon_r = 52.116$ ;  $\rho = 1000 \text{ kg/m}^3$ 

Phantom section: Flat Section

Measurement Standard: DASY5 (IEEE/IEC/ANSI C63.19-2007)

Procedure Notes: Test Technician: Kathy; Air Temperature: 23.9C; Medium Temperature: 23.2C; Comments: ;

DASY Configuration:

- Probe: ES3DV3 - SN3244; ConvF(5.06, 5.06, 5.06); Calibrated: 4/28/2016;
- Sensor-Surface: 3mm (Mechanical Surface Detection (Locations From Previous Scan Used)), Sensor-Surface: 3mm (Mechanical Surface Detection),  $z = 2.0, 32.0$
- Electronics: DAE4 Sn1265; Calibrated: 5/11/2016
- Phantom: ELI 4.0; Type: QDOVA001BA; Serial: 1092
- DASY52 52.8.8(1222);

**Flat-Section/Back 0mm \_50-0/Area Scan (11x10x1):** Measurement grid: dx=12mm, dy=12mm[Info: Interpolated medium parameters used for SAR evaluation.](#)

Maximum value of SAR (measured) = 0.0706 W/kg

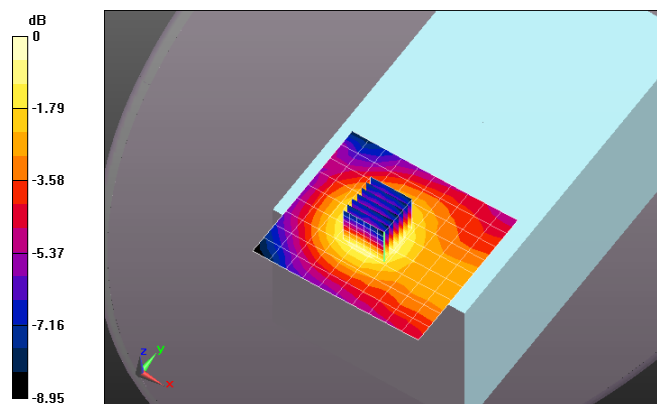
**Flat-Section/Back 0mm \_50-0/Zoom Scan (7x7x7)/Cube 0:** Measurement grid: dx=5mm, dy=5mm, dz=5mm

Reference Value = 6.891 V/m; Power Drift = -0.13 dB

Peak SAR (extrapolated) = 0.100 W/kg

**SAR(1 g) = 0.068 W/kg; SAR(10 g) = 0.046 W/kg**[Info: Interpolated medium parameters used for SAR evaluation.](#)

Maximum value of SAR (measured) = 0.0783 W/kg



0 dB = 0.0706 W/kg = -11.51 dBW/kg

**Plot 26**

Date/Time: 8/19/2016 11:22:25 AM

Test Laboratory: Cetecom Inc. SAR 1 Lab

**DUT: ResMed; Type: Medical Device; Serial: 22161345318**

Communication System: UID 10175 - CAB, LTE-FDD (SC-FDMA, 1 RB, 10 MHz, QPSK); Frequency: 836.5 MHz

Medium: MSL900\_Batch 100818-1

Medium parameters used (interpolated):  $f = 836.5$  MHz;  $\sigma = 0.975$  S/m;  $\epsilon_r = 53.793$ ;  $\rho = 1000$  kg/m<sup>3</sup>

Phantom section: Flat Section

Measurement Standard: DASY5 (IEEE/IEC/ANSI C63.19-2007)

Procedure Notes: Test Technician: Kathy; Air Temperature: 24C; Medium Temperature: 23.3C; Comments: ;

DASY Configuration:

- Probe: ES3DV3 - SN3244; ConvF(6.24, 6.24, 6.24); Calibrated: 4/28/2016;
- Sensor-Surface: 3mm (Mechanical Surface Detection (Locations From Previous Scan Used)), Sensor-Surface: 3mm (Mechanical Surface Detection),  $z = 2.0, 32.0$
- Electronics: DAE4 Sn1265; Calibrated: 5/11/2016
- Phantom: ELI 4.0; Type: QDOVA001BA; Serial: 1092
- DASY52 52.8.8(1222);

**Flat-Section 2/Left Side 20mm\_1-0/Area Scan (14x11x1):** Measurement grid: dx=12mm, dy=12mm

[Info: Interpolated medium parameters used for SAR evaluation.](#)

Maximum value of SAR (measured) = 0.377 W/kg

**Flat-Section 2/Left Side 20mm\_1-0/Zoom Scan (7x7x7)/Cube 0:** Measurement grid: dx=5mm, dy=5mm, dz=5mm

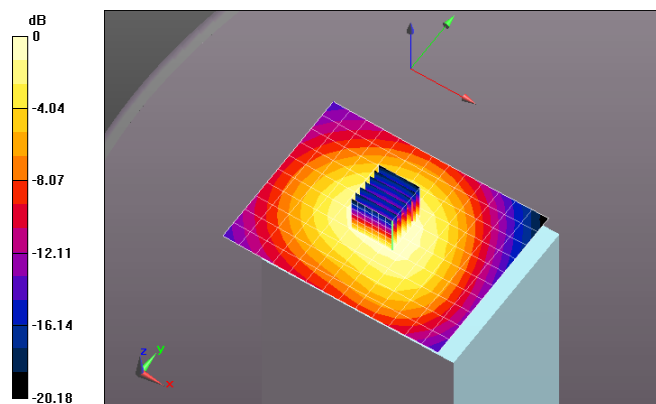
Reference Value = 19.16 V/m; Power Drift = -0.10 dB

Peak SAR (extrapolated) = 0.468 W/kg

**SAR(1 g) = 0.354 W/kg; SAR(10 g) = 0.261 W/kg**

[Info: Interpolated medium parameters used for SAR evaluation.](#)

Maximum value of SAR (measured) = 0.396 W/kg



0 dB = 0.377 W/kg = -4.24 dBW/kg

**Plot 27**

Date/Time: 8/19/2016 4:49:04 PM

Test Laboratory: Cetecom Inc. SAR 1 Lab

**DUT: ResMed; Type: Medical Device; Serial: 22161345318**

Communication System: UID 10175 - CAB, LTE-FDD (SC-FDMA, 1 RB, 10 MHz, QPSK); Frequency: 836.5 MHz

Medium: MSL900\_Batch 100818-1

Medium parameters used (interpolated):  $f = 836.5$  MHz;  $\sigma = 0.975$  S/m;  $\epsilon_r = 53.793$ ;  $\rho = 1000$  kg/m<sup>3</sup>

Phantom section: Flat Section

Measurement Standard: DASY5 (IEEE/IEC/ANSI C63.19-2007)

Procedure Notes: Test Technician: Kathy; Air Temperature: 23.8C; Medium Temperature: 23.7C; Comments: ;

DASY Configuration:

- Probe: ES3DV3 - SN3244; ConvF(6.24, 6.24, 6.24); Calibrated: 4/28/2016;
- Sensor-Surface: 3mm (Mechanical Surface Detection (Locations From Previous Scan Used)), Sensor-Surface: 3mm (Mechanical Surface Detection),  $z = 2.0, 32.0$
- Electronics: DAE4 Sn1265; Calibrated: 5/11/2016
- Phantom: ELI 4.0; Type: QDOVA001BA; Serial: 1092
- DASY52 52.8.8(1222);

**Flat-Section/Top 0mm\_1-0/Area Scan (11x10x1):** Measurement grid: dx=12mm, dy=12mm

[Info: Interpolated medium parameters used for SAR evaluation.](#)

Maximum value of SAR (measured) = 0.329 W/kg

**Flat-Section/Top 0mm\_1-0/Zoom Scan (7x7x7)/Cube 0:** Measurement grid: dx=5mm, dy=5mm, dz=5mm

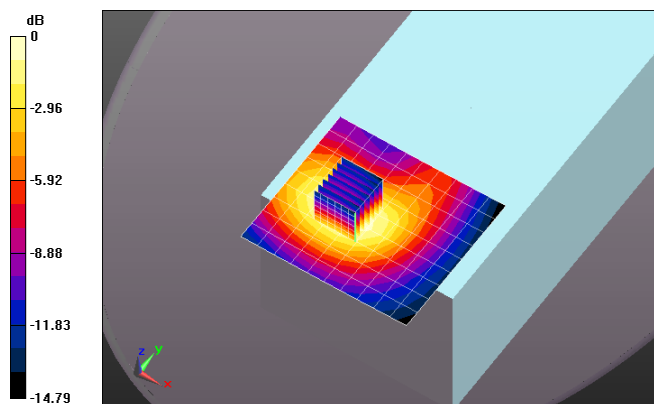
Reference Value = 19.05 V/m; Power Drift = -0.02 dB

Peak SAR (extrapolated) = 0.437 W/kg

**SAR(1 g) = 0.315 W/kg; SAR(10 g) = 0.220 W/kg**

[Info: Interpolated medium parameters used for SAR evaluation.](#)

Maximum value of SAR (measured) = 0.359 W/kg



0 dB = 0.329 W/kg = -4.82 dBW/kg

**Plot 28**

Date/Time: 8/19/2016 1:00:07 PM

Test Laboratory: Cetecom Inc. SAR 1 Lab

**DUT: ResMed; Type: Medical Device; Serial: 22161345318**

Communication System: UID 10175 - CAB, LTE-FDD (SC-FDMA, 1 RB, 10 MHz, QPSK); Frequency: 836.5 MHz

Medium: MSL900\_Batch 100818-1

Medium parameters used (interpolated):  $f = 836.5$  MHz;  $\sigma = 0.975$  S/m;  $\epsilon_r = 53.793$ ;  $\rho = 1000$  kg/m<sup>3</sup>

Phantom section: Flat Section

Measurement Standard: DASY5 (IEEE/IEC/ANSI C63.19-2007)

Procedure Notes: Test Technician: Kathy; Air Temperature: 23.9C; Medium Temperature: 23.5C; Comments: ;

DASY Configuration:

- Probe: ES3DV3 - SN3244; ConvF(6.24, 6.24, 6.24); Calibrated: 4/28/2016;
- Sensor-Surface: 3mm (Mechanical Surface Detection (Locations From Previous Scan Used)), Sensor-Surface: 3mm (Mechanical Surface Detection),  $z = 2.0, 32.0$
- Electronics: DAE4 Sn1265; Calibrated: 5/11/2016
- Phantom: ELI 4.0; Type: QDOVA001BA; Serial: 1092
- DASY52 52.8.8(1222);

**Flat-Section/Back 0mm\_1-0/Area Scan (11x10x1):** Measurement grid: dx=12mm, dy=12mm

[Info: Interpolated medium parameters used for SAR evaluation.](#)

Maximum value of SAR (measured) = 0.305 W/kg

**Flat-Section/Back 0mm\_1-0/Zoom Scan (7x7x7)/Cube 0:** Measurement grid: dx=5mm, dy=5mm, dz=5mm

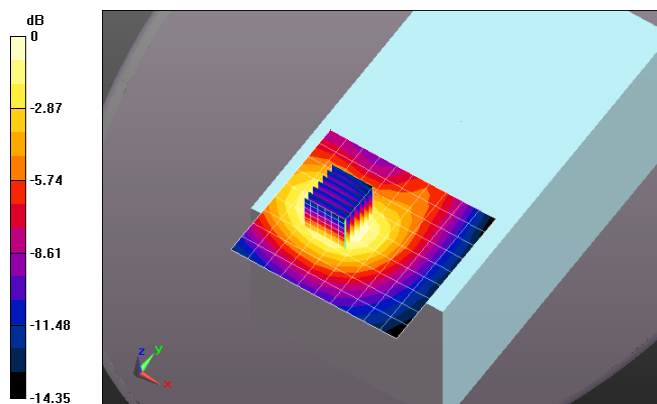
Reference Value = 18.49 V/m; Power Drift = -0.01 dB

Peak SAR (extrapolated) = 0.433 W/kg

**SAR(1 g) = 0.314 W/kg; SAR(10 g) = 0.221 W/kg**

[Info: Interpolated medium parameters used for SAR evaluation.](#)

Maximum value of SAR (measured) = 0.357 W/kg



0 dB = 0.305 W/kg = -5.16 dBW/kg

**Plot 29**

Date/Time: 8/19/2016 11:43:40 AM

Test Laboratory: Cetecom Inc. SAR 1 Lab

**DUT: ResMed; Type: Medical Device; Serial: 22161345318**

Communication System: UID 10154 - CAB, LTE-FDD (SC-FDMA, 50% RB, 10 MHz, QPSK); Frequency: 836.5 MHz

Medium: MSL900\_Batch 100818-1

Medium parameters used (interpolated):  $f = 836.5$  MHz;  $\sigma = 0.975$  S/m;  $\epsilon_r = 53.793$ ;  $\rho = 1000$  kg/m<sup>3</sup>

Phantom section: Flat Section

Measurement Standard: DASYS (IEEE/IEC/ANSI C63.19-2007)

Procedure Notes: Test Technician: Kathy; Air Temperature: 24C; Medium Temperature: 23.3C; Comments: ;

DASY Configuration:

- Probe: ES3DV3 - SN3244; ConvF(6.24, 6.24, 6.24); Calibrated: 4/28/2016;
- Sensor-Surface: 3mm (Mechanical Surface Detection (Locations From Previous Scan Used)), Sensor-Surface: 3mm (Mechanical Surface Detection),  $z = 2.0, 32.0$
- Electronics: DAE4 Sn1265; Calibrated: 5/11/2016
- Phantom: ELI 4.0; Type: QDOVA001BA; Serial: 1092
- DASY52 52.8.8(1222);

**Flat-Section 2/Left Side 20mm\_25-0/Area Scan (14x11x1):** Measurement grid:  $dx=12$ mm,  $dy=12$ mm

Info: [Interpolated medium parameters used for SAR evaluation.](#)

Maximum value of SAR (measured) = 0.296 W/kg

**Flat-Section 2/Left Side 20mm\_25-0/Zoom Scan (7x7x7)/Cube 0:** Measurement grid:  $dx=5$ mm,  $dy=5$ mm,  $dz=5$ mm

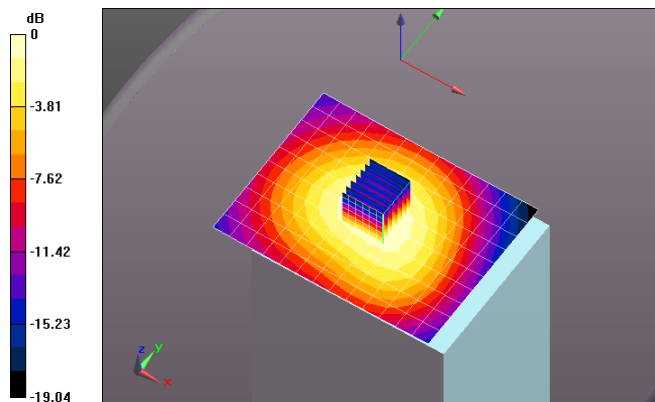
Reference Value = 17.12 V/m; Power Drift = -0.00 dB

Peak SAR (extrapolated) = 0.369 W/kg

**SAR(1 g) = 0.281 W/kg; SAR(10 g) = 0.208 W/kg**

Info: [Interpolated medium parameters used for SAR evaluation.](#)

Maximum value of SAR (measured) = 0.312 W/kg



0 dB = 0.296 W/kg = -5.29 dBW/kg

**Plot 30**

Date/Time: 8/19/2016 4:29:42 PM

Test Laboratory: Cetecom Inc. SAR 1 Lab

**DUT: ResMed; Type: Medical Device; Serial: 22161345318**

Communication System: UID 10154 - CAB, LTE-FDD (SC-FDMA, 50% RB, 10 MHz, QPSK); Frequency: 836.5 MHz

Medium: MSL900\_Batch 100818-1

Medium parameters used (interpolated):  $f = 836.5$  MHz;  $\sigma = 0.975$  S/m;  $\epsilon_r = 53.793$ ;  $\rho = 1000$  kg/m<sup>3</sup>

Phantom section: Flat Section

Measurement Standard: DASYS (IEEE/IEC/ANSI C63.19-2007)

Procedure Notes: Test Technician: Kathy; Air Temperature: 23.9C; Medium Temperature: 23.5C; Comments: ;

DASY Configuration:

- Probe: ES3DV3 - SN3244; ConvF(6.24, 6.24, 6.24); Calibrated: 4/28/2016;
- Sensor-Surface: 3mm (Mechanical Surface Detection (Locations From Previous Scan Used)), Sensor-Surface: 3mm (Mechanical Surface Detection),  $z = 2.0, 32.0$
- Electronics: DAE4 Sn1265; Calibrated: 5/11/2016
- Phantom: ELI 4.0; Type: QDOVA001BA; Serial: 1092
- DASYS2 52.8.8(1222);

**Flat-Section/Top 0mm\_25-0/Area Scan (11x10x1):** Measurement grid: dx=12mm, dy=12mm

[Info: Interpolated medium parameters used for SAR evaluation.](#)

Maximum value of SAR (measured) = 0.268 W/kg

**Flat-Section/Top 0mm\_25-0/Zoom Scan (7x7x7)/Cube 0:** Measurement grid: dx=5mm, dy=5mm, dz=5mm

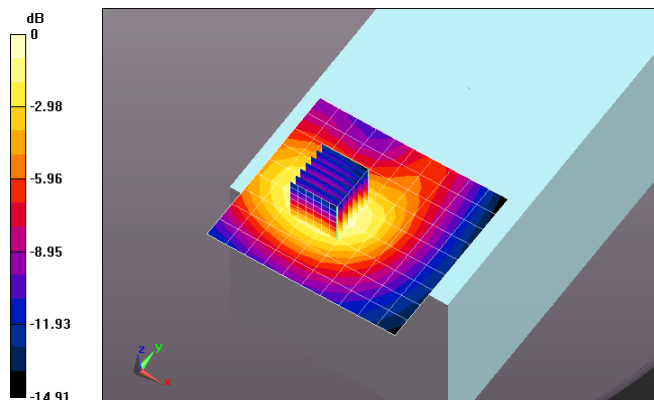
Reference Value = 17.21 V/m; Power Drift = -0.04 dB

Peak SAR (extrapolated) = 0.351 W/kg

**SAR(1 g) = 0.252 W/kg; SAR(10 g) = 0.176 W/kg**

[Info: Interpolated medium parameters used for SAR evaluation.](#)

Maximum value of SAR (measured) = 0.288 W/kg



---

0 dB = 0.268 W/kg = -5.72 dBW/kg



**Plot 31**

Date/Time: 8/19/2016 12:32:16 PM

Test Laboratory: Cetecom Inc. SAR 1 Lab

**DUT: ResMed; Type: Medical Device; Serial: 22161345318**

Communication System: UID 10154 - CAB, LTE-FDD (SC-FDMA, 50% RB, 10 MHz, QPSK); Frequency: 836.5 MHz

Medium: MSL900\_Batch 100818-1

Medium parameters used (interpolated):  $f = 836.5$  MHz;  $\sigma = 0.975$  S/m;  $\epsilon_r = 53.793$ ;  $\rho = 1000$  kg/m<sup>3</sup>

Phantom section: Flat Section

Measurement Standard: DASYS (IEEE/IEC/ANSI C63.19-2007)

Procedure Notes: Test Technician: Kathy; Air Temperature: 23.9C; Medium Temperature: 23.5C; Comments: ;

DASY Configuration:

- Probe: ES3DV3 - SN3244; ConvF(6.24, 6.24, 6.24); Calibrated: 4/28/2016;
- Sensor-Surface: 3mm (Mechanical Surface Detection (Locations From Previous Scan Used)), Sensor-Surface: 3mm (Mechanical Surface Detection),  $z = 2.0, 32.0$
- Electronics: DAE4 Sn1265; Calibrated: 5/11/2016
- Phantom: ELI 4.0; Type: QDOVA001BA; Serial: 1092
- DASY52 52.8.8(1222);

**Flat-Section/Back 0mm \_25-0/Area Scan (11x10x1):** Measurement grid: dx=12mm, dy=12mm

[Info: Interpolated medium parameters used for SAR evaluation.](#)

Maximum value of SAR (measured) = 0.242 W/kg

**Flat-Section/Back 0mm \_25-0/Zoom Scan (7x7x7)/Cube 0:** Measurement grid: dx=5mm, dy=5mm, dz=5mm

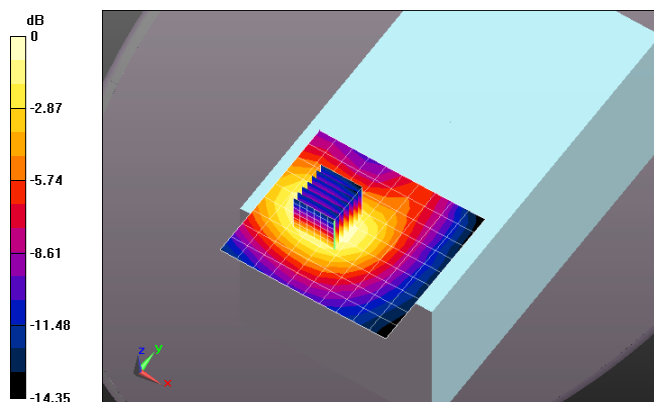
Reference Value = 16.47 V/m; Power Drift = 0.03 dB

Peak SAR (extrapolated) = 0.345 W/kg

**SAR(1 g) = 0.248 W/kg; SAR(10 g) = 0.174 W/kg**

[Info: Interpolated medium parameters used for SAR evaluation.](#)

Maximum value of SAR (measured) = 0.282 W/kg



0 dB = 0.242 W/kg = -6.16 dBW/kg



**Plot 32**

Date/Time: 8/22/2016 1:44:20 PM

Test Laboratory: Cetecom Inc. SAR 1 Lab

**DUT: ResMed; Type: Medical Device; Serial: 22161345318**

Communication System: UID 10175 - CAB, LTE-FDD (SC-FDMA, 1 RB, 10 MHz, QPSK); Frequency: 707.5 MHz  
 Medium: MSL750

Medium parameters used (interpolated):  $f = 707.5$  MHz;  $\sigma = 0.933$  S/m;  $\epsilon_r = 55.826$ ;  $\rho = 1000$  kg/m<sup>3</sup>

Phantom section: Flat Section

Measurement Standard: DASYS (IEEE/IEC/ANSI C63.19-2007)

Procedure Notes: Test Technician: Kathy; Air Temperature: 23.6C; Medium Temperature: 23.1C; Comments: ;

DASY Configuration:

- Probe: ES3DV3 - SN3244; ConvF(6.32, 6.32, 6.32); Calibrated: 4/28/2016;
- Sensor-Surface: 3mm (Mechanical Surface Detection (Locations From Previous Scan Used)), Sensor-Surface: 3mm (Mechanical Surface Detection),  $z = 2.0, 32.0$
- Electronics: DAE4 Sn1265; Calibrated: 5/11/2016
- Phantom: ELI 4.0; Type: QDOVA001BA; Serial: 1092
- DASY52 52.8.8(1222);

**Flat-Section 2/Left Side 20mm\_1-0/Area Scan (14x11x1):** Measurement grid:  $dx=12$ mm,  $dy=12$ mm

Info: [Interpolated medium parameters used for SAR evaluation.](#)

Maximum value of SAR (measured) = 0.282 W/kg

**Flat-Section 2/Left Side 20mm\_1-0/Zoom Scan (7x7x7)/Cube 0:** Measurement grid:  $dx=5$ mm,  $dy=5$ mm,  $dz=5$ mm

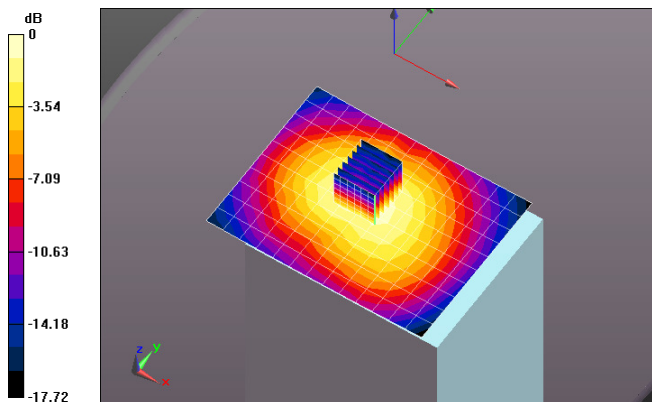
Reference Value = 17.79 V/m; Power Drift = 0.10 dB

Peak SAR (extrapolated) = 0.343 W/kg

**SAR(1 g) = 0.242 W/kg; SAR(10 g) = 0.180 W/kg**

Info: [Interpolated medium parameters used for SAR evaluation.](#)

Maximum value of SAR (measured) = 0.289 W/kg



0 dB = 0.282 W/kg = -5.50 dBW/kg

**Plot 33**

Date/Time: 8/22/2016 2:31:59 PM

Test Laboratory: Cetecom Inc. SAR 1 Lab

**DUT: ResMed; Type: Medical Device; Serial: 22161345318**

Communication System: UID 10175 - CAB, LTE-FDD (SC-FDMA, 1 RB, 10 MHz, QPSK); Frequency: 707.5 MHz

Medium: MSL750

Medium parameters used (interpolated):  $f = 707.5$  MHz;  $\sigma = 0.933$  S/m;  $\epsilon_r = 55.826$ ;  $\rho = 1000$  kg/m<sup>3</sup>

Phantom section: Flat Section

Measurement Standard: DASYS (IEEE/IEC/ANSI C63.19-2007)

Procedure Notes: Test Technician: Kathy; Air Temperature: 24C; Medium Temperature: 22.9C; Comments: ;

DASY Configuration:

- Probe: ES3DV3 - SN3244; ConvF(6.32, 6.32, 6.32); Calibrated: 4/28/2016;
- Sensor-Surface: 3mm (Mechanical Surface Detection),  $z = 2.0, 32.0$
- Electronics: DAE4 Sn1265; Calibrated: 5/11/2016
- Phantom: ELI 4.0; Type: QDOVA001BA; Serial: 1092
- DASYS2 52.8.8(1222);

**Flat-Section 2/Top 0mm\_1-0/Area Scan (11x10x1):** Measurement grid:  $dx=12$ mm,  $dy=12$ mm

[Info: Interpolated medium parameters used for SAR evaluation.](#)

Maximum value of SAR (measured) = 0.185 W/kg

**Flat-Section 2/Top 0mm\_1-0/Zoom Scan (7x7x7)/Cube 0:** Measurement grid:  $dx=5$ mm,  $dy=5$ mm,  $dz=5$ mm

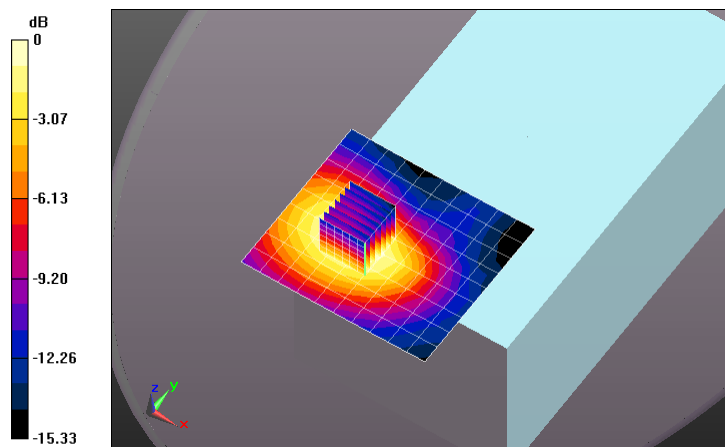
Reference Value = 13.63 V/m; Power Drift = 0.05 dB

Peak SAR (extrapolated) = 0.224 W/kg

**SAR(1 g) = 0.167 W/kg; SAR(10 g) = 0.118 W/kg**

[Info: Interpolated medium parameters used for SAR evaluation.](#)

Maximum value of SAR (measured) = 0.188 W/kg



$$0 \text{ dB} = 0.185 \text{ W/kg} = -7.33 \text{ dBW/kg}$$

**Plot 34**

Date/Time: 8/22/2016 4:25:53 PM

Test Laboratory: Cetecom Inc. SAR 1 Lab

**DUT: ResMed; Type: Medical Device; Serial: 22161345318**

Communication System: UID 10175 - CAB, LTE-FDD (SC-FDMA, 1 RB, 10 MHz, QPSK); Frequency: 707.5 MHz

Medium: MSL750

Medium parameters used (interpolated):  $f = 707.5 \text{ MHz}$ ;  $\sigma = 0.933 \text{ S/m}$ ;  $\epsilon_r = 55.826$ ;  $\rho = 1000 \text{ kg/m}^3$ 

Phantom section: Flat Section

Measurement Standard: DASY5 (IEEE/IEC/ANSI C63.19-2007)

Procedure Notes: Test Technician: Kathy; Air Temperature: 24C; Medium Temperature: 22.9C; Comments: ;

DASY Configuration:

- Probe: ES3DV3 - SN3244; ConvF(6.32, 6.32, 6.32); Calibrated: 4/28/2016;
- Sensor-Surface: 3mm (Mechanical Surface Detection (Locations From Previous Scan Used)), Sensor-Surface: 3mm (Mechanical Surface Detection),  $z = 2.0, 32.0$
- Electronics: DAE4 Sn1265; Calibrated: 5/11/2016
- Phantom: ELI 4.0; Type: QDOVA001BA; Serial: 1092
- DASY52 52.8.8(1222);

**Flat-Section/Back 0mm\_1-0/Area Scan (11x10x1):** Measurement grid: dx=12mm, dy=12mm[Info: Interpolated medium parameters used for SAR evaluation.](#)

Maximum value of SAR (measured) = 0.0553 W/kg

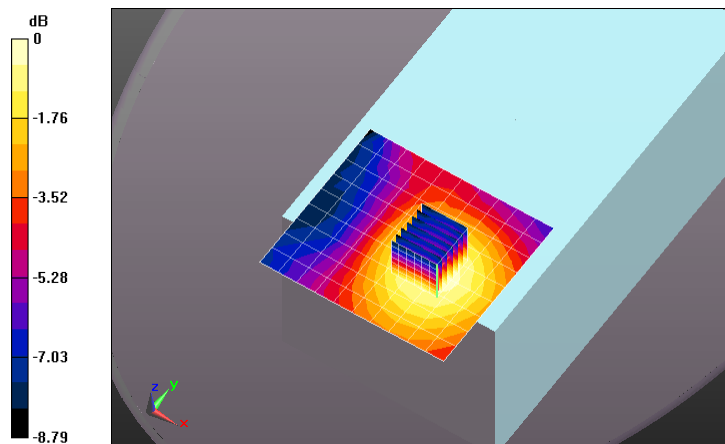
**Flat-Section/Back 0mm\_1-0/Zoom Scan (7x7x7)/Cube 0:** Measurement grid: dx=5mm, dy=5mm, dz=5mm

Reference Value = 5.122 V/m; Power Drift = -0.07 dB

Peak SAR (extrapolated) = 0.0690 W/kg

**SAR(1 g) = 0.055 W/kg; SAR(10 g) = 0.041 W/kg**[Info: Interpolated medium parameters used for SAR evaluation.](#)

Maximum value of SAR (measured) = 0.0604 W/kg



0 dB = 0.0553 W/kg = -12.57 dBW/kg

Plot 35

Date/Time: 8/22/2016 1:15:53 PM

Test Laboratory: Cetecom Inc. SAR 1 Lab

**DUT: ResMed; Type: Medical Device; Serial: 22161345318**

Communication System: UID 10175 - CAB, LTE-FDD (SC-FDMA, 50% RB, 10 MHz, QPSK); Frequency: 707.5 MHz

Medium: MSL750

Medium parameters used (interpolated):  $f = 707.5$  MHz;  $\sigma = 0.933$  S/m;  $\epsilon_r = 55.826$ ;  $\rho = 1000$  kg/m<sup>3</sup>

Phantom section: Flat Section

Measurement Standard: DASYS (IEEE/IEC/ANSI C63.19-2007)

Procedure Notes: Test Technician: Kathy; Air Temperature: 23.7C; Medium Temperature: 23.0C; Comments: ;

DASY Configuration:

- Probe: ES3DV3 - SN3244; ConvF(6.32, 6.32, 6.32); Calibrated: 4/28/2016;
- Sensor-Surface: 3mm (Mechanical Surface Detection (Locations From Previous Scan Used)), Sensor-Surface: 3mm (Mechanical Surface Detection),  $z = 2.0, 32.0$
- Electronics: DAE4 Sn1265; Calibrated: 5/11/2016
- Phantom: ELI 4.0; Type: QDOVA001BA; Serial: 1092
- DASY52 52.8.8(1222);

**Flat-Section 2/Left Side 20mm\_25-0/Area Scan (14x11x1):** Measurement grid: dx=12mm, dy=12mm

Info: [Interpolated medium parameters used for SAR evaluation.](#)

Maximum value of SAR (measured) = 0.230 W/kg

**Flat-Section 2/Left Side 20mm\_25-0/Zoom Scan (8x7x7)/Cube 0:** Measurement grid: dx=5mm, dy=5mm, dz=5mm

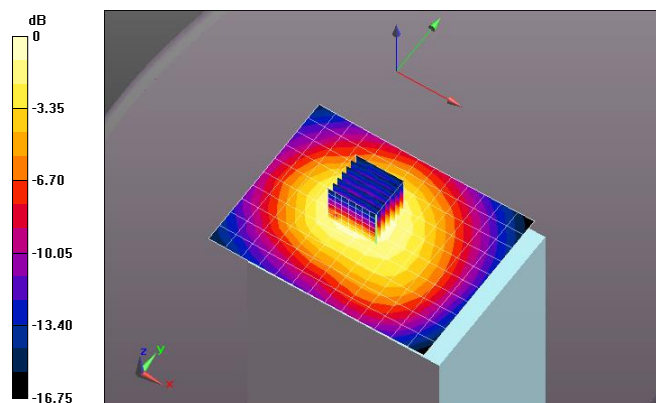
Reference Value = 16.89 V/m; Power Drift = 0.02 dB

Peak SAR (extrapolated) = 0.314 W/kg

**SAR(1 g) = 0.224 W/kg; SAR(10 g) = 0.164 W/kg**

[Info: Interpolated medium parameters used for SAR evaluation.](#)

Maximum value of SAR (measured) = 0.254 W/kg



0 dB = 0.230 W/kg = -6.38 dBW/kg

**Plot 36**

Date/Time: 8/22/2016 2:55:14 PM

Test Laboratory: Cetecom Inc. SAR 1 Lab

**DUT: ResMed; Type: Medical Device; Serial: 22161345318**

Communication System: UID 10175 - CAB, LTE-FDD (SC-FDMA, 50% RB, 10 MHz, QPSK); Frequency: 707.5 MHz

Medium: MSL750

Medium parameters used (interpolated):  $f = 707.5$  MHz;  $\sigma = 0.933$  S/m;  $\epsilon_r = 55.826$ ;  $\rho = 1000$  kg/m<sup>3</sup>

Phantom section: Flat Section

Measurement Standard: DASYS (IEEE/IEC/ANSI C63.19-2007)

Procedure Notes: Test Technician: Kathy; Air Temperature: 24.0C; Medium Temperature: 22.9C; Comments: ;

DASY Configuration:

- Probe: ES3DV3 - SN3244; ConvF(6.32, 6.32, 6.32); Calibrated: 4/28/2016;
- Sensor-Surface: 3mm (Mechanical Surface Detection (Locations From Previous Scan Used)), Sensor-Surface: 3mm (Mechanical Surface Detection),  $z = 2.0, 32.0$
- Electronics: DAE4 Sn1265; Calibrated: 5/11/2016
- Phantom: ELI 4.0; Type: QDOVA001BA; Serial: 1092
- DASYS2 52.8.8(1222);

**Flat-Section 2/Top 0mm\_25-0/Area Scan (11x10x1):** Measurement grid: dx=12mm, dy=12mm

[Info: Interpolated medium parameters used for SAR evaluation.](#)

Maximum value of SAR (measured) = 0.170 W/kg

**Flat-Section 2/Top 0mm\_25-0/Zoom Scan (7x7x7)/Cube 0:** Measurement grid: dx=5mm, dy=5mm, dz=5mm

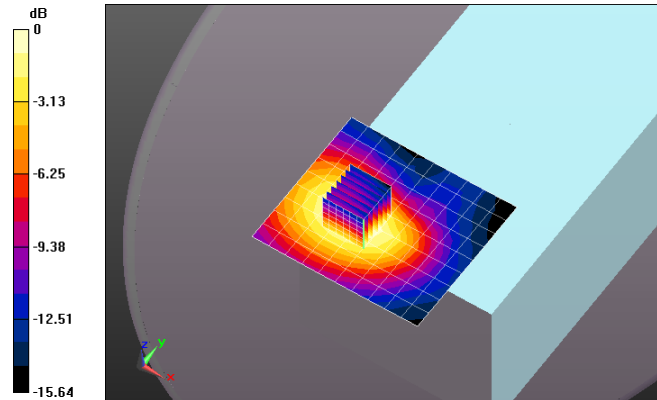
Reference Value = 14.06 V/m; Power Drift = 0.02 dB

Peak SAR (extrapolated) = 0.206 W/kg

**SAR(1 g) = 0.155 W/kg; SAR(10 g) = 0.110 W/kg**

[Info: Interpolated medium parameters used for SAR evaluation.](#)

Maximum value of SAR (measured) = 0.174 W/kg



0 dB = 0.170 W/kg = -7.69 dBW/kg

**Plot 37**

Date/Time: 8/22/2016 4:05:17 PM

Test Laboratory: Cetecom Inc. SAR 1 Lab

**DUT: ResMed; Type: Medical Device; Serial: 22161345318**

Communication System: UID 10175 - CAB, LTE-FDD (SC-FDMA, 50% RB, 10 MHz, QPSK); Frequency: 707.5 MHz

Medium: MSL750

Medium parameters used (interpolated):  $f = 707.5$  MHz;  $\sigma = 0.933$  S/m;  $\epsilon_r = 55.826$ ;  $\rho = 1000$  kg/m<sup>3</sup>

Phantom section: Flat Section

Measurement Standard: DASYS (IEEE/IEC/ANSI C63.19-2007)

Procedure Notes: Test Technician: Kathy; Air Temperature: 23.9C; Medium Temperature: 22.9C; Comments: ;

DASY Configuration:

- Probe: ES3DV3 - SN3244; ConvF(6.32, 6.32, 6.32); Calibrated: 4/28/2016;
- Sensor-Surface: 3mm (Mechanical Surface Detection (Locations From Previous Scan Used)), Sensor-Surface: 3mm (Mechanical Surface Detection),  $z = 2.0, 32.0$
- Electronics: DAE4 Sn1265; Calibrated: 5/11/2016
- Phantom: ELI 4.0; Type: QDOVA001BA; Serial: 1092
- DASY52 52.8.8(1222);

**Flat-Section/Back 0mm \_25-0/Area Scan (11x10x1):** Measurement grid: dx=12mm, dy=12mm

[Info: Interpolated medium parameters used for SAR evaluation.](#)

Maximum value of SAR (measured) = 0.0479 W/kg

**Flat-Section/Back 0mm \_25-0/Zoom Scan (8x7x7)/Cube 0:** Measurement grid: dx=5mm, dy=5mm, dz=5mm

Reference Value = 4.817 V/m; Power Drift = -0.07 dB

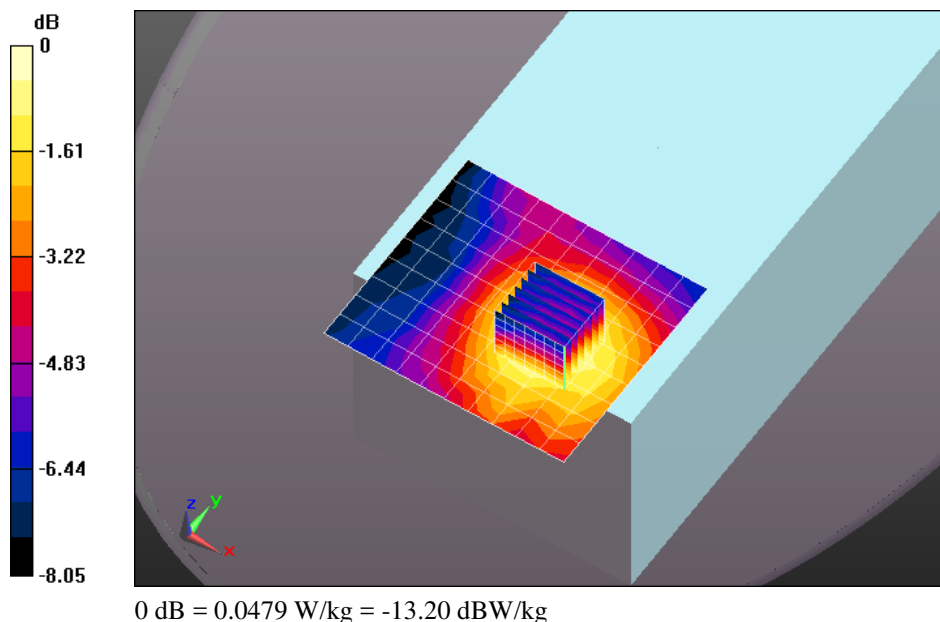
Peak SAR (extrapolated) = 0.0620 W/kg

**SAR(1 g) = 0.046 W/kg; SAR(10 g) = 0.034 W/kg**

[Info: Interpolated medium parameters used for SAR evaluation.](#)

Maximum value of SAR (measured) = 0.0514 W/kg





**Plot 38**

Date/Time: 8/9/2016 10:50:56 AM

Test Laboratory: Cetecom Inc. SAR 1 Lab

**DUT: Dipole 1900 MHz - D1900V2 - SN5d135\_April 2016; Type: D1900V2; Serial: D1900V2 - SN:5d135**

Communication System: UID 10000, CW; Frequency: 1900 MHz

Medium: MSL1900\_Batch 110615-4

Medium parameters used:  $f = 1900$  MHz;  $\sigma = 1.53$  S/m;  $\epsilon_r = 51.385$ ;  $\rho = 1000$  kg/m<sup>3</sup>

Phantom section: Flat Section

Measurement Standard: DASY5 (IEEE/IEC/ANSI C63.19-2007)

Procedure Notes: Test Technician: kathy; Air Temperature: 24C; Medium Temperature: 23.1C; Comments: ;

DASY Configuration:

- Probe: ES3DV3 - SN3244; ConvF(4.81, 4.81, 4.81); Calibrated: 4/28/2016;
- Sensor-Surface: 3mm (Mechanical Surface Detection (Locations From Previous Scan Used)), Sensor-Surface: 3mm (Mechanical Surface Detection),  $z = 2.0, 32.0$
- Electronics: DAE4 Sn1265; Calibrated: 5/11/2016
- Phantom: ELI 4.0; Type: QDOVA001BA; Serial: 1092
- DASY52 52.8.8(1222);

**System Performance Check at Frequencies above 1 GHz/d=10mm, Pin=.1W, dist=3.0mm**

**(ES-Probe) 2/Area Scan (4x4x1):** Measurement grid: dx=15mm, dy=15mm

Maximum value of SAR (measured) = 3.24 W/kg

**System Performance Check at Frequencies above 1 GHz/d=10mm, Pin=.1W, dist=3.0mm**

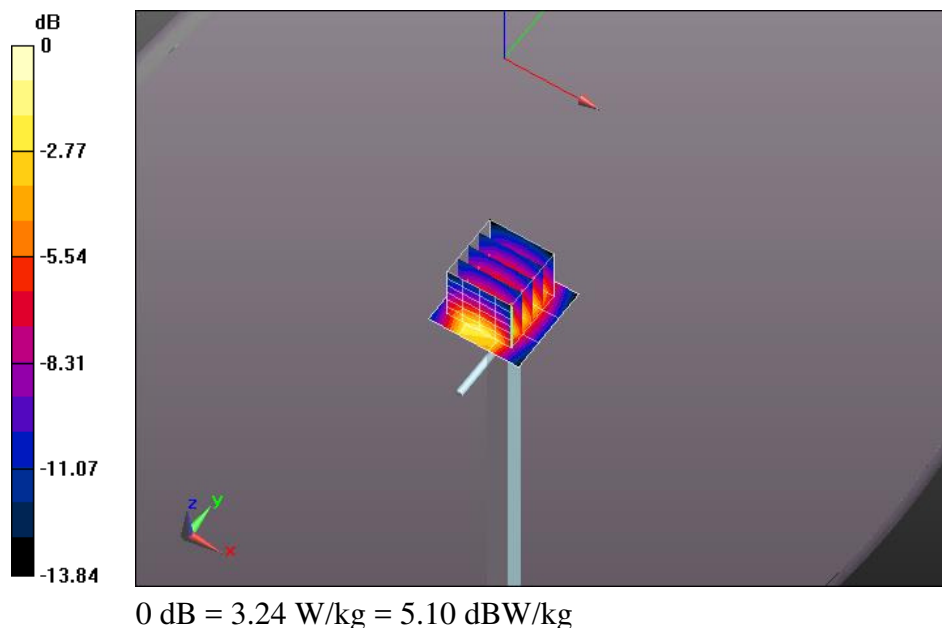
**(ES-Probe) 2/Zoom Scan (7x7x7) (5x5x7)/Cube 0:** Measurement grid: dx=8mm, dy=8mm, dz=5mm

Reference Value = 56.30 V/m; Power Drift = -0.06 dB

Peak SAR (extrapolated) = 6.10 W/kg

**SAR(1 g) = 3.58 W/kg; SAR(10 g) = 1.91 W/kg**

Maximum value of SAR (measured) = 4.48 W/kg



**Plot 39**

Date/Time: 8/8/2016 10:31:06 AM

Test Laboratory: Cetecom Inc. SAR 1 Lab

**DUT: Dipole 1900 MHz - D1900V2 - SN5d135\_April 2016; Type: D1900V2; Serial: D1900V2 - SN:5d135**

Communication System: UID 10000, CW; Frequency: 1900 MHz

Medium: MSL1900\_Batch 110615-4

Medium parameters used:  $f = 1900 \text{ MHz}$ ;  $\sigma = 1.558 \text{ S/m}$ ;  $\epsilon_r = 51.072$ ;  $\rho = 1000 \text{ kg/m}^3$

Phantom section: Flat Section

Measurement Standard: DASY5 (IEEE/IEC/ANSI C63.19-2007)

Procedure Notes: Test Technician: Kathy; Air Temperature: 23C; Medium Temperature: 23.2C; Comments: ;

DASY Configuration:

- Probe: ES3DV3 - SN3244; ConvF(4.81, 4.81, 4.81); Calibrated: 4/28/2016;
- Sensor-Surface: 3mm (Mechanical Surface Detection),  $z = 2.0, 32.0$
- Electronics: DAE4 Sn1265; Calibrated: 5/11/2016
- Phantom: ELI 4.0; Type: QDOVA001BA; Serial: 1092
- DASY52 52.8.8(1222);

**System Performance Check at Frequencies above 1 GHz/d=10mm, Pin=.1W, dist=3.0mm (ES-Probe)/Area Scan (4x4x1):** Measurement grid:  $dx=15\text{mm}, dy=15\text{mm}$

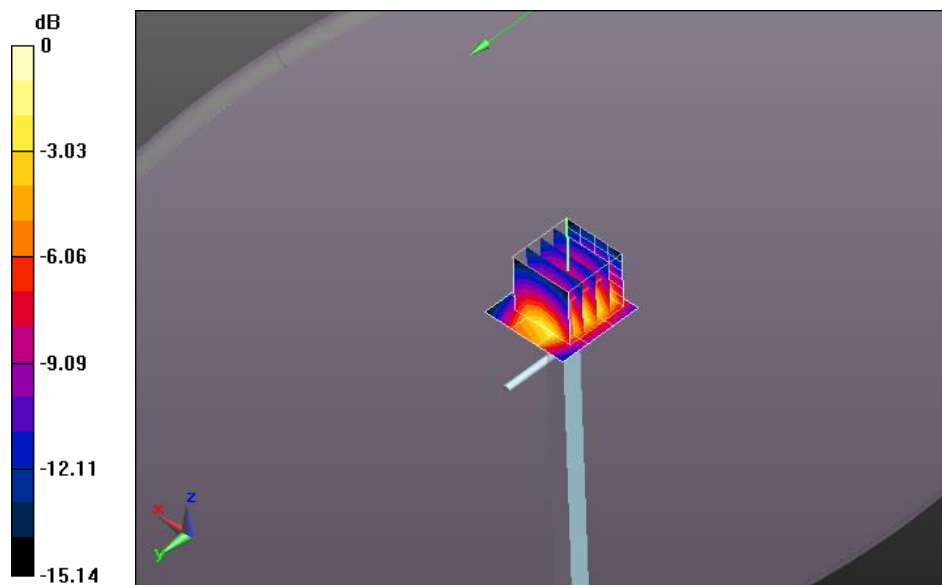
Maximum value of SAR (measured) = 3.50 W/kg

**System Performance Check at Frequencies above 1 GHz/d=10mm, Pin=.1W, dist=3.0mm (ES-Probe)/Zoom Scan (7x7x7) (5x5x7)/Cube 0:** Measurement grid:  $dx=8\text{mm}, dy=8\text{mm}, dz=5\text{mm}$

Reference Value = 54.01 V/m; Power Drift = -0.01 dB

Peak SAR (extrapolated) = 5.95 W/kg

**SAR(1 g) = 3.5 W/kg; SAR(10 g) = 1.87 W/kg**  
 Maximum value of SAR (measured) = 4.38 W/kg



0 dB = 3.50 W/kg = 5.45 dBW/kg

**Plot 40**

Date/Time: 8/15/2016 1:22:35 PM

Test Laboratory: Cetecom Inc. SAR 1 Lab

**DUT: Dipole 1900 MHz - D1900V2 - SN5d135\_April 2016; Type: D1900V2; Serial: D1900V2 - SN:5d135**

Communication System: UID 10000, CW; Frequency: 1900 MHz

Medium: MSL1900\_Batch 110615-4

Medium parameters used:  $f = 1900$  MHz;  $\sigma = 1.51$  S/m;  $\epsilon_r = 52.543$ ;  $\rho = 1000$  kg/m<sup>3</sup>

Phantom section: Flat Section

Measurement Standard: DASY5 (IEEE/IEC/ANSI C63.19-2007)

Procedure Notes: Test Technician: kathy; Air Temperature: 23.9C; Medium Temperature: 23.3C; Comments: ;

DASY Configuration:

- Probe: ES3DV3 - SN3244; ConvF(4.81, 4.81, 4.81); Calibrated: 4/28/2016;
- Sensor-Surface: 3mm (Mechanical Surface Detection), z = 2.0, 32.0
- Electronics: DAE4 Sn1265; Calibrated: 5/11/2016
- Phantom: ELI 4.0; Type: QDOVA001BA; Serial: 1092
- DASY52 52.8.8(1222);

**System Performance Check at Frequencies above 1 GHz/d=10mm, Pin=.1W, dist=3.0mm**

**(ES-Probe)/Area Scan (4x4x1):** Measurement grid: dx=15mm, dy=15mm

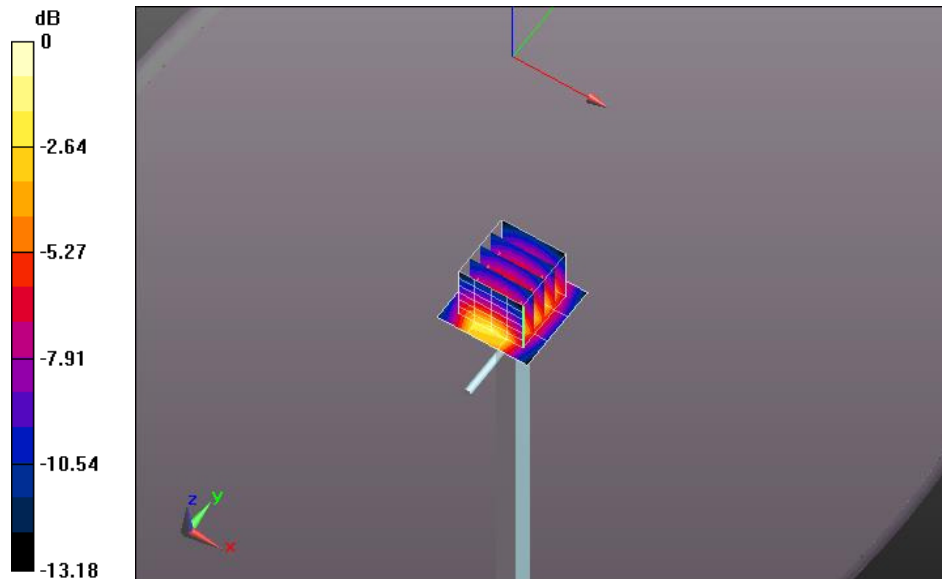
Maximum value of SAR (measured) = 2.98 W/kg

**System Performance Check at Frequencies above 1 GHz/d=10mm, Pin=.1W, dist=3.0mm**

**(ES-Probe)/Zoom Scan (7x7x7) (5x5x7)/Cube 0:** Measurement grid: dx=8mm, dy=8mm, dz=5mm

Reference Value = 56.53 V/m; Power Drift = -0.00 dB

Peak SAR (extrapolated) = 5.99 W/kg  
**SAR(1 g) = 3.55 W/kg; SAR(10 g) = 1.9 W/kg**  
 Maximum value of SAR (measured) = 4.42 W/kg



0 dB = 2.98 W/kg = 4.74 dBW/kg

**Plot 41**

Date/Time: 8/18/2016 8:53:42 AM

Test Laboratory: Cetecom Inc. SAR 1 Lab

**DUT: Dipole 1750 MHz - D1750V2 - SN1045\_April 2016; Type: D1750V2; Serial: D1750V2 - SN:1045**

Communication System: UID 0, CW; Frequency: 1750 MHz

Medium: MSL1750\_Batch 100824-2

Medium parameters used:  $f = 1750$  MHz;  $\sigma = 1.466$  S/m;  $\epsilon_r = 52.094$ ;  $\rho = 1000$  kg/m<sup>3</sup>

Phantom section: Flat Section

Measurement Standard: DASY5 (IEEE/IEC/ANSI C63.19-2007)

Procedure Notes: Test Technician: Kathy Air Temperature: 23C; Medium Temperature: 23.5C; Comments: ;

DASY Configuration:

- Probe: ES3DV3 - SN3244; ConvF(5.06, 5.06, 5.06); Calibrated: 4/28/2016;
- Sensor-Surface: 3mm (Mechanical Surface Detection),  $z = 2.0, 32.0$
- Electronics: DAE4 Sn1265; Calibrated: 5/11/2016
- Phantom: ELI 4.0; Type: QDOVA001BA; Serial: 1092
- DASY52 52.8.8(1222);

**System Performance Check at Frequencies above 1 GHz/d=10mm, Pin=.1W, dist=3.0mm**

**(ES-Probe)/Area Scan (4x4x1):** Measurement grid: dx=15mm, dy=15mm

Maximum value of SAR (measured) = 3.00 W/kg

**System Performance Check at Frequencies above 1 GHz/d=10mm, Pin=.1W, dist=3.0mm**

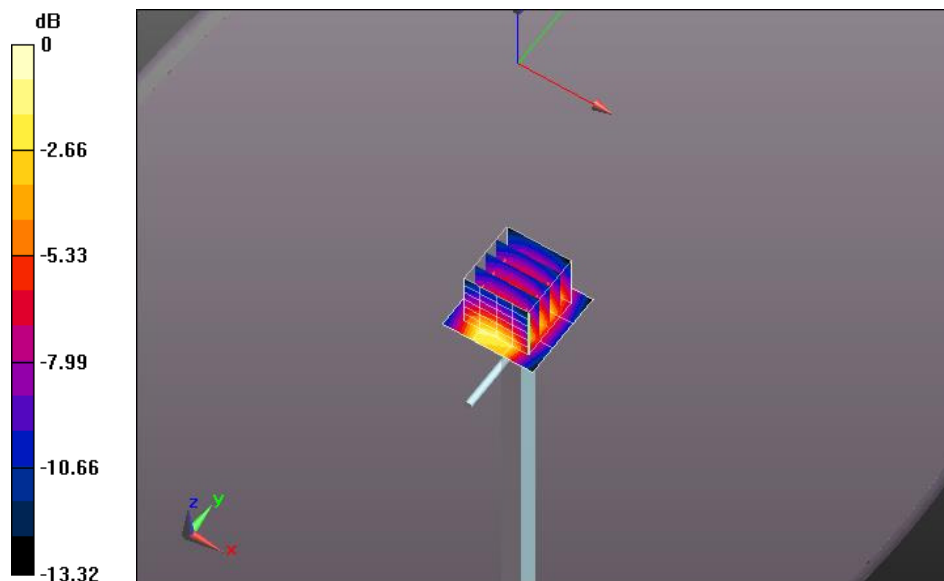
**(ES-Probe)/Zoom Scan (7x7x7) (5x5x7)/Cube 0:** Measurement grid: dx=8mm, dy=8mm, dz=5mm

Reference Value = 56.13 V/m; Power Drift = -0.00 dB

Peak SAR (extrapolated) = 5.77 W/kg

**SAR(1 g) = 3.42 W/kg; SAR(10 g) = 1.85 W/kg**

Maximum value of SAR (measured) = 4.26 W/kg



0 dB = 3.00 W/kg = 4.77 dBW/kg

**Plot 42**

Date/Time: 8/19/2016 10:10:54 AM

Test Laboratory: Cetecom Inc. SAR 1 Lab

**DUT: Dipole 835 MHz - D835V2 - SN4d113\_April 2016; Type: D835V2; Serial: D835V2 - SN:4d113**

Communication System: UID 0, CW; Frequency: 835 MHz

Medium: MSL900\_Batch 100818-1

Medium parameters used:  $f = 835 \text{ MHz}$ ;  $\sigma = 0.973 \text{ S/m}$ ;  $\epsilon_r = 53.809$ ;  $\rho = 1000 \text{ kg/m}^3$

Phantom section: Flat Section

Measurement Standard: DASY5 (IEEE/IEC/ANSI C63.19-2007)

Procedure Notes: Test Technician: Kathy; Air Temperature: 23.8c; Medium Temperature: 23.7c; Comments: ;

DASY Configuration:

- Probe: ES3DV3 - SN3244; ConvF(6.24, 6.24, 6.24); Calibrated: 4/28/2016;
- Sensor-Surface: 3mm (Mechanical Surface Detection),  $z = 2.0, 32.0$
- Electronics: DAE4 Sn1265; Calibrated: 5/11/2016
- Phantom: ELI 4.0; Type: QDOVA001BA; Serial: 1092
- DASY52 52.8.8(1222);

**System Performance Check at Frequencies above 1 GHz/d=10mm, Pin=.1W, dist=3.0mm (ES-Probe)/Area Scan (4x4x1):** Measurement grid: dx=15mm, dy=15mm

Maximum value of SAR (measured) = 0.938 W/kg

**System Performance Check at Frequencies above 1 GHz/d=10mm, Pin=.1W, dist=3.0mm**

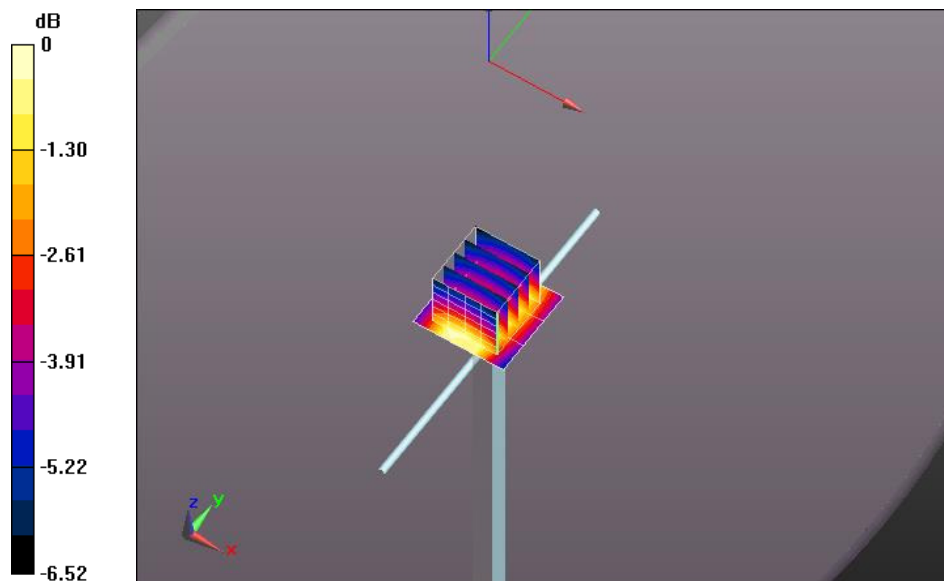
**(ES-Probe)/Zoom Scan (7x7x7) (5x5x7)/Cube 0:** Measurement grid: dx=8mm, dy=8mm, dz=5mm

Reference Value = 34.16 V/m; Power Drift = 0.02 dB

Peak SAR (extrapolated) = 1.36 W/kg

**SAR(1 g) = 0.927 W/kg; SAR(10 g) = 0.617 W/kg**

Maximum value of SAR (measured) = 1.07 W/kg



0 dB = 0.938 W/kg = -0.28 dBW/kg

**Plot 43**

Date/Time: 8/22/2016 11:15:24 AM

Test Laboratory: Cetecom Inc. SAR 1 Lab

**DUT: Dipole 750 MHz - D750V3 - SN1032\_April 2016; Type: D750V3; Serial: D750V3 - SN:1032**

Communication System: UID 0, CW (0); Frequency: 750 MHz

Medium: MSL750

Medium parameters used: f = 750 MHz;  $\sigma = 0.976$  S/m;  $\epsilon_r = 55.386$ ;  $\rho = 1000$  kg/m<sup>3</sup>

Phantom section: Flat Section

Measurement Standard: DASY5 (IEEE/IEC/ANSI C63.19-2007)

Procedure Notes: Test Technician: Kathy; Air Temperature: 23.0c; Medium Temperature: 23.2c; Comments: ;

DASY Configuration:

- Probe: ES3DV3 - SN3244; ConvF(6.32, 6.32, 6.32); Calibrated: 4/28/2016;
- Sensor-Surface: 3mm (Mechanical Surface Detection), z = 2.0, 32.0
- Electronics: DAE4 Sn1265; Calibrated: 5/11/2016
- Phantom: ELI 4.0; Type: QDOVA001BA; Serial: 1092
- DASY52 52.8.8(1222);

**System Performance Check at Frequencies above 1 GHz/d=10mm, Pin=.1W, dist=3.0mm**

**(ES-Probe)/Area Scan (4x4x1):** Measurement grid: dx=15mm, dy=15mm

Maximum value of SAR (measured) = 0.882 W/kg

**System Performance Check at Frequencies above 1 GHz/d=10mm, Pin=.1W, dist=3.0mm**

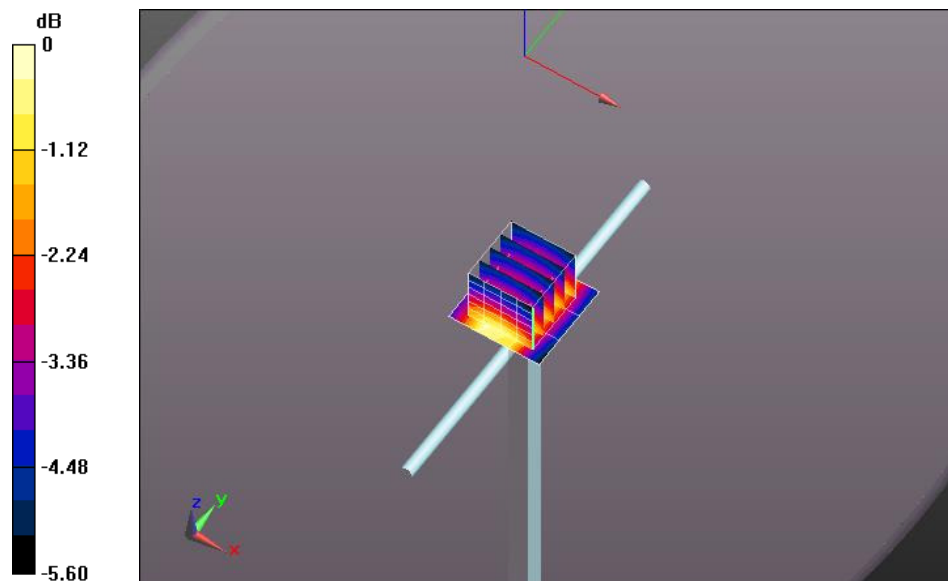
**(ES-Probe)/Zoom Scan (7x7x7) (5x5x7)/Cube 0:** Measurement grid: dx=8mm, dy=8mm, dz=5mm

Reference Value = 32.76 V/m; Power Drift = -0.07 dB

Peak SAR (extrapolated) = 1.21 W/kg

**SAR(1 g) = 0.840 W/kg; SAR(10 g) = 0.564 W/kg**

Maximum value of SAR (measured) = 0.971 W/kg



0 dB = 0.882 W/kg = -0.55 dBW/kg

**Plot 44**

Date/Time: 9/14/2016 10:28:25 AM

Test Laboratory: Cetecom Inc. SAR 1 Lab

**DUT: Dipole 1900 MHz - D1900V2 - SN5d135\_April 2016; Type: D1900V2; Serial: D1900V2 - SN:5d135**

Communication System: UID 10000, CW; Frequency: 1900 MHz

Medium: MSL1900\_Batch 110615-4

Medium parameters used: f = 1900 MHz;  $\sigma = 1.563$  S/m;  $\epsilon_r = 51.588$ ;  $\rho = 1000$  kg/m<sup>3</sup>

Phantom section: Flat Section

Measurement Standard: DASY5 (IEEE/IEC/ANSI C63.19-2007)

Procedure Notes: Test Technician: kathy; Air Temperature: 22.6C; Medium Temperature: 22.6C; Comments: ;

DASY Configuration:

- Probe: ES3DV3 - SN3244; ConvF(4.81, 4.81, 4.81); Calibrated: 4/28/2016;
- Sensor-Surface: 3mm (Mechanical Surface Detection), z = 2.0, 32.0
- Electronics: DAE4 Sn1265; Calibrated: 5/11/2016
- Phantom: ELI 4.0; Type: QDOVA001BA; Serial: 1092
- DASY52 52.8.8(1222);

**System Performance Check at Frequencies above 1 GHz/d=10mm, Pin=.1W, dist=3.0mm**

**(ES-Probe)/Area Scan (4x4x1):** Measurement grid: dx=15mm, dy=15mm

Maximum value of SAR (measured) = 3.29 W/kg

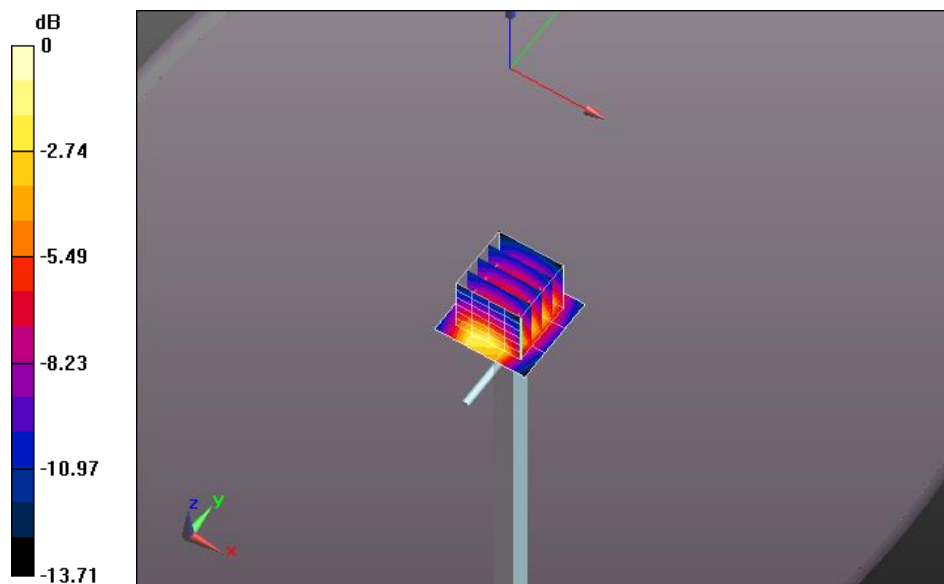
**System Performance Check at Frequencies above 1 GHz/d=10mm, Pin=.1W, dist=3.0mm (ES-Probe)/Zoom Scan (7x7x7) (5x5x7)/Cube 0:** Measurement grid: dx=8mm, dy=8mm, dz=5mm

Reference Value = 56.31 V/m; Power Drift = 0.03 dB

Peak SAR (extrapolated) = 6.25 W/kg

**SAR(1 g) = 3.65 W/kg; SAR(10 g) = 1.94 W/kg**

Maximum value of SAR (measured) = 4.57 W/kg



0 dB = 3.29 W/kg = 5.17 dBW/kg

**Plot 45** Date/Time: 9/15/2016 1:36:11 PM

Test Laboratory: Cetecom Inc. SAR 1 Lab

**DUT: Dipole 1900 MHz - D1900V2 - SN5d135\_April 2016; Type: D1900V2; Serial: D1900V2 - SN:5d135**

Communication System: UID 10000, CW; Frequency: 1900 MHz

Medium: MSL1900\_Batch 110615-4

Medium parameters used:  $f = 1900$  MHz;  $\sigma = 1.564$  S/m;  $\epsilon_r = 51.29$ ;  $\rho = 1000$  kg/m<sup>3</sup>

Phantom section: Flat Section

Measurement Standard: DASY5 (IEEE/IEC/ANSI C63.19-2007)

Procedure Notes: Test Technician: kathy; Air Temperature: 22.8C; Medium Temperature: 21.5C; Comments: ;

DASY Configuration:

- Probe: ES3DV3 - SN3244; ConvF(4.81, 4.81, 4.81); Calibrated: 4/28/2016;
- Sensor-Surface: 3mm (Mechanical Surface Detection), z = 2.0, 32.0
- Electronics: DAE4 Sn1265; Calibrated: 5/11/2016
- Phantom: ELI 4.0; Type: QDOVA001BA; Serial: 1092
- DASY52 52.8.8(1222);

**System Performance Check at Frequencies above 1 GHz/d=10mm, Pin=.1W, dist=3.0mm (ES-Probe)/Area Scan (4x4x1):** Measurement grid: dx=15mm, dy=15mm

Maximum value of SAR (measured) = 3.83 W/kg



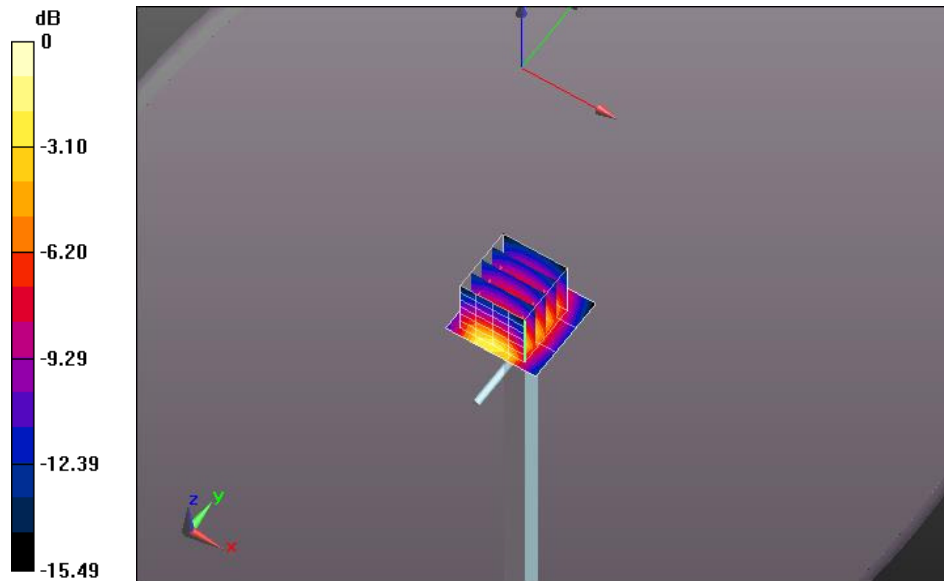
**System Performance Check at Frequencies above 1 GHz/d=10mm, Pin=.1W, dist=3.0mm****(ES-Probe)/Zoom Scan (7x7x7) (5x5x7)/Cube 0:** Measurement grid: dx=8mm, dy=8mm, dz=5mm

Reference Value = 56.90 V/m; Power Drift = -0.03 dB

Peak SAR (extrapolated) = 6.72 W/kg

**SAR(1 g) = 3.86 W/kg; SAR(10 g) = 2.04 W/kg**

Maximum value of SAR (measured) = 4.86 W/kg



0 dB = 3.83 W/kg = 5.83 dBW/kg