

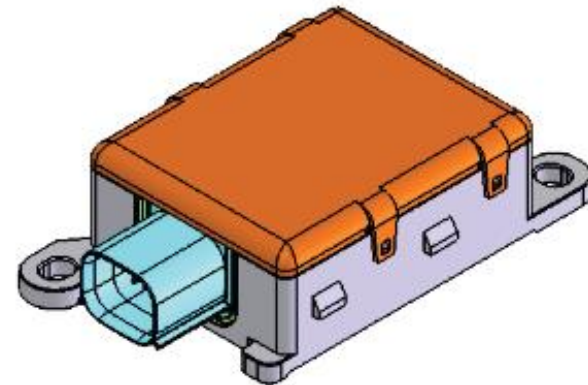
Ultra Short Range Radar User's Manual ver.1.1

1. Product/Model
2. Spec/Power/Frequency
3. Operation Manual
4. Warning Statement

Apr. 26th 2018

1. Product/Model

Product Name	Ultra Short Range Radar
Model Number	UKAZA2A001
FCC ID	2ACH3UKAZA2A0



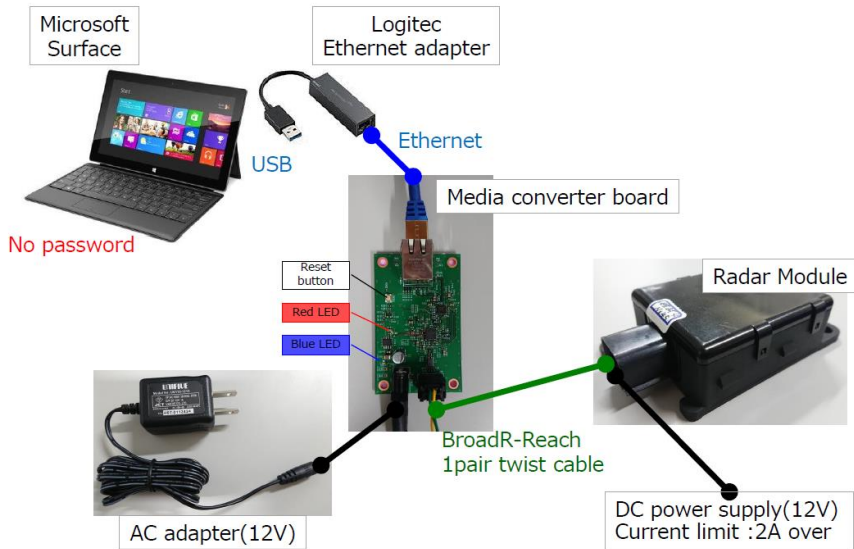
2. Spec/Power/Frequency

Item	Value	Unit
Output Power at RF IC *1	10 (typical)	dBm
EIRP	2.9 (peak)	dBm/MHz
Frequency	77 to 80.6	GHz
Modulation	FMCW	
Power Voltage	12 (typical)	V
Current Consumption	1100 (peak)	mA
Electrical Interface	BroadR-Reach 100Mbps	-
Operating Temperature	-40 to 85	degC

*1: This value doesn't include the antenna feed line and pattern.

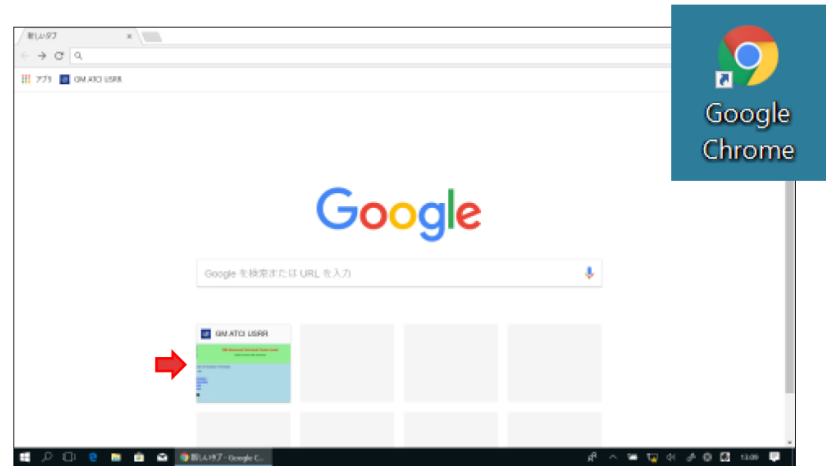
3. Operation Manual

Connection of equipment



No password

Common operation step1



Launch Google Chrome on Surface and launch the USRR Control Web Interface.
(You can also access "10.1.1.19" directly in the URL.)

Overview

Common operation step2

FMCW/CW mode common operation

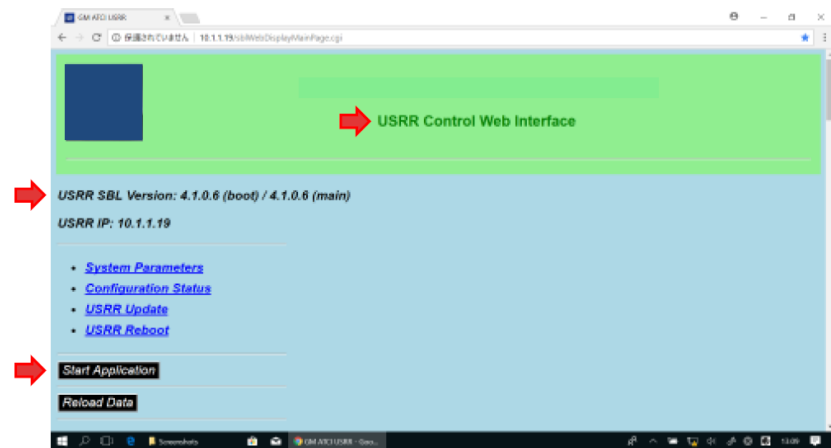
- Step0. Supply 12 V from AC adapter to Media converter board.
→The blue LED on the Media converter board lights up.
Supply 12V from the DC power supply to Radar module.
→The red LED on the Media converter board lights up.
If it does not light up, press the reset button or turn the power to the Media converter board again.
- Step1. Launch Google Chrome on Surface and launch the USRR Control Web Interface.
- Step2. Press the "Start Application"
- Step3. Press the "Return to USRR Main Page"
- Step4. USRR Version Number: 4.4.22.13 is activated.

FMCW mode operation

- Operation mode:Operational
- Start Sampling
- USRR Start
- Press the "Submit" button

CW mode operation

- Run Script on Desktop
- Enter Operating frequency <GHz>
- Enter Operating frequency <MHz>
- Enter TX channel
- Operation mode:Sampler
- Start Sampling
- USRR Start
- Press the "Submit" button



The USRR Control Web Interface is started.
(Confirm that it is "USRR SBL Version:4.1.0.6(boot)/4.1.0.6(main)")
Press the "Start Application"

3. Operation Manual

Common operation step3



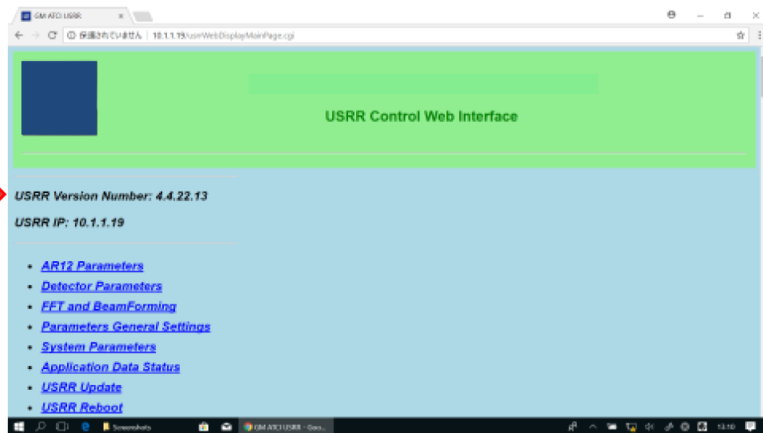
FMCW mode



If this screen takes a long time,
Press the "Return to USRR Main Page"

Common operation step4

FMCW mode operation



USRR Version Number: 4.4.22.13 is activated.

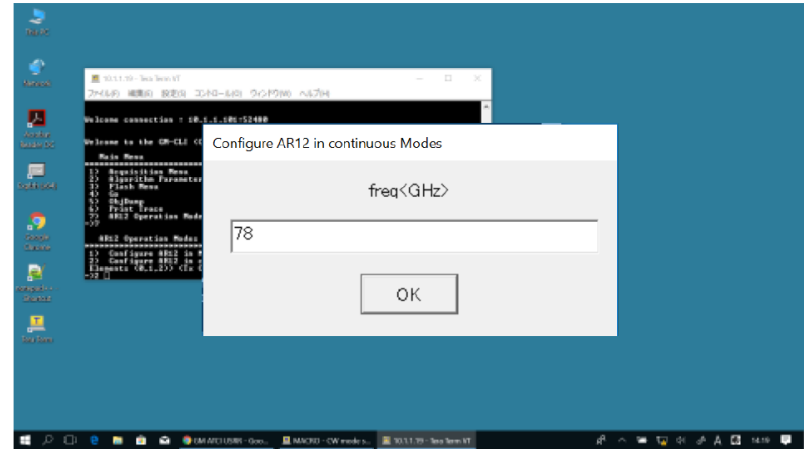


Operation mode:Operational
Start Sampling
USRR Start
Press the "Submit" button

3. Operation Manual

CW mode operation step2

CW mode

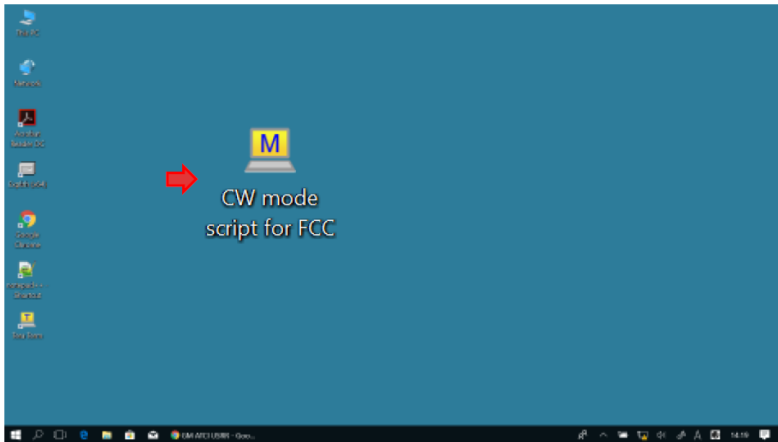


Enter Operating frequency <GHz>

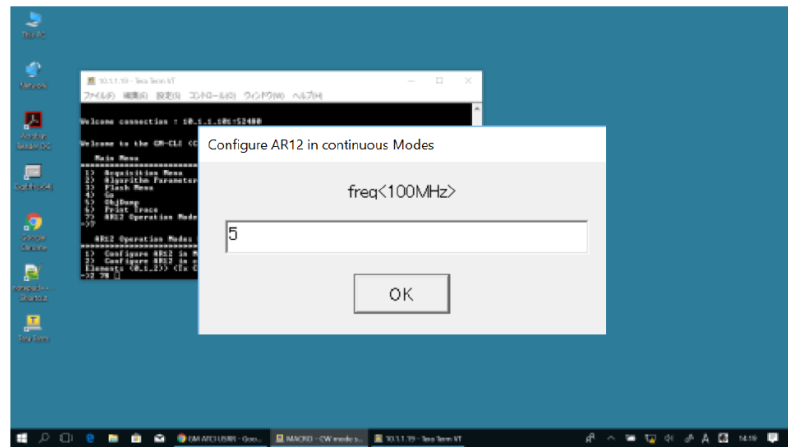
In case of 78.5 GHz, input "78"

CW mode operation step1

CW mode operation step3



Run Script (CW mode script for FCC.ttl) on Desktop

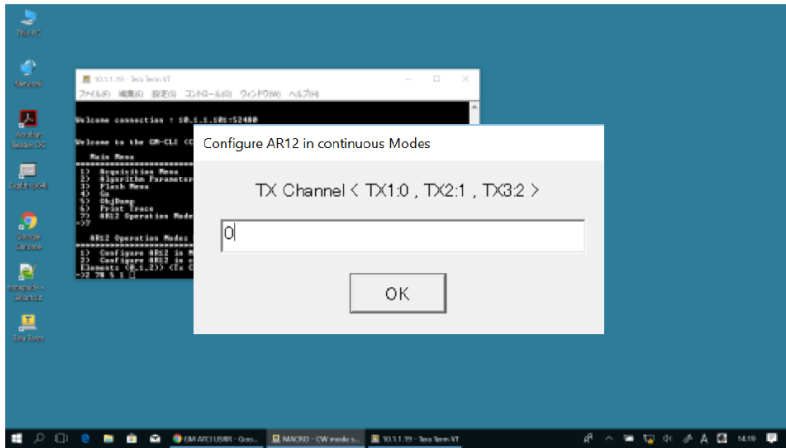


Enter Operating frequency <MHz>

In case of 78.5 GHz, input "5"

3. Operation Manual

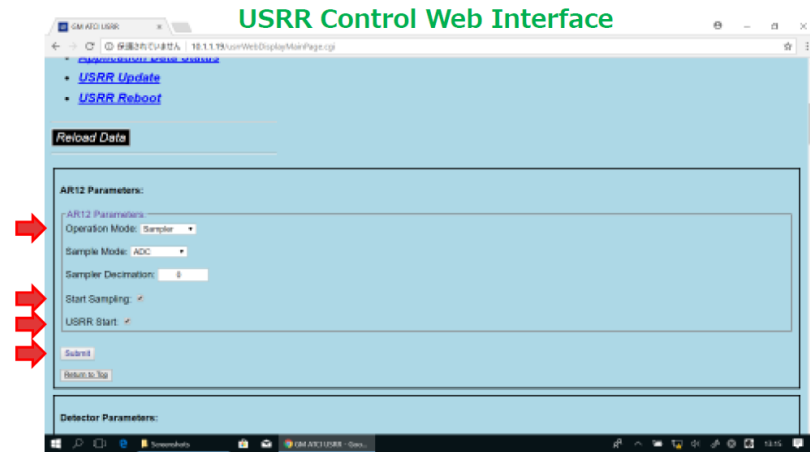
CW mode operation step4



Enter TX channel

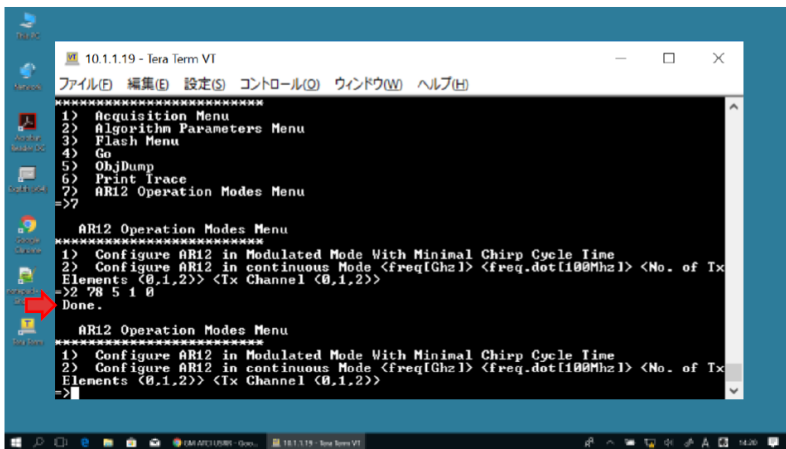
In case of TX1, input "0"

CW mode operation step6



Operation mode:Sampler
Start Sampling
USRR Start
Press the "Submit" button

CW mode operation step5



"Done." Is displayed with the correct setting

If not displayed, execute again from CW mode operation Step1.

About resetting

To change the setting, turn off the power of the USER 12 V, turn on the power again, and start again from "Common operation step 1". This is the same for both FMCW mode and CW mode.

4. Warning Statement

1. Need to have more than 2A capability for a power source.
2. Do not touch I/F metal pins in connector by your hand directly.
3. Do not drop the product.
4. Do not remove a plastic cover which is top of the product.
5. Need to turn 12V power off before disconnecting the I/F cables.

End of Slides