

# Owner's Manual

## Model No. #58309E

### Pool+ Portable Bluetooth Speaker

#### Warning

##### READ AND FOLLOW ALL INSTRUCTIONS

Use only under competent supervision.

Adult assembly only.

Batteries shall not be exposed to excessive heat such as sunshine, fire or similar.

Remove the battery before this product is disposed, returned or scrapped. Batteries contain hazardous substances and are to be disposed properly. Please do not dispose the batteries with general household waste.

Non-rechargeable batteries are not to be recharged.

Rechargeable batteries are to be removed from this product before being charged.

Rechargeable batteries are only to be charged under adult supervision.

Different types of batteries or new and used batteries are not to be mixed.

Only batteries of the same or equivalent type as recommended are to be used.

Batteries are to be inserted with the correct polarity.

Exhausted batteries are to be removed from this product.

Do not short-circuit the battery.

Only use AA battery (not included)

**Warning:** Any changes or modifications to this unit not expressly approved by the party responsible for compliance could void the user's authority to operate the equipment.

**Note:** This equipment has been tested and found to comply with the limits for a Class B digital device, pursuant to part 15 of the FCC Rules. These limits are designed to provide reasonable protection against harmful interference in a residential installation. This equipment generates, uses and can radiate radio frequency energy and, if not installed and used in accordance with the instructions, may cause harmful interference to radio communications. However, there is no guarantee that interference will not occur in a particular installation. If this equipment does cause harmful interference to radio or television reception, which can be determined by turning the equipment off and on, the user is encouraged to try to correct the interference by one or more of the following measures:

—Reorient or relocate the receiving antenna.

—Increase the separation between the equipment and receiver.

—Connect the equipment into an outlet on a circuit different from that to which the receiver is connected.

—Consult the dealer or an experienced radio/TV technician for help.

#### Region Selection

Limited by local law regulations, version for North America does not have region selection option.

#### MPE Requirements

To satisfy FCC RF exposure requirements, a separation distance of 20 cm or more should be maintained between the antenna of this device and persons during device operation.

To ensure compliance, operations at closer than this distance is not recommended.

#### SAVE THESE INSTRUCTIONS

#### Specifications

Carrier Frequency: Bluetooth **2.4GHz**

Power Requirements: 8\*AA batteries (not included)

Frequency Response: 200Hz-15KHz

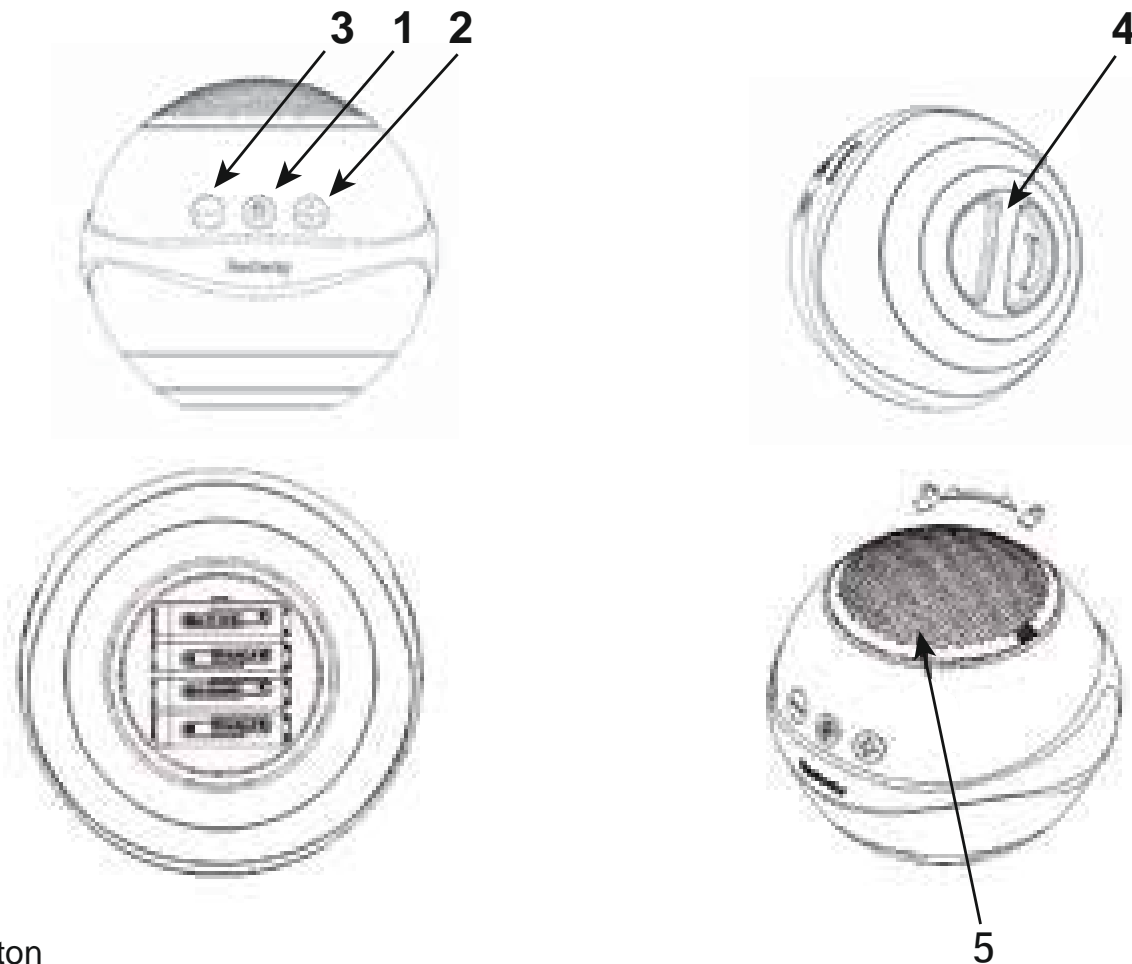
Distortion: <0.5%

S/N Ratio: ≥60dB

Operation Distance: range up to 15 meters (50 Feet)

Output Power: 5W

## Functions



1. power button
2. volume+ button
3. volume- button
4. battery cover
5. speaker shield

## Battery installation/replacement (BATTERY NOT INCLUDED)

1. Screw off the bottom cover of the speaker,
2. Insert standard 8 x AA batteries. Be sure that the polarity is “+” to “+”, and “-” to “-”.
3. Replace the battery cover and screw tightly. It is ready to use.

**Note:** Please be sure to screw the battery cover tightly, otherwise, the speaker will get damaged due to water exposure.

**IMPORTANT:** Please remove the batteries if you will not use the speaker for long time .

## Operation

1. Press the power button for 3 seconds to active the notification tone and the light flash to start up.
2. Open the Bluetooth device to enter into the search mode.
3. Choose “WABOT” mode.
4. You will know the connection was successful once you start hearing music.

**Note:** When the power is not enough, the speaker will be automatically closed. Please change the batteries

## Maintenance and Storage

1. When the speaker has water, reverse it to pour out the water or open the speaker shield to drain away water.
2. Do not use too much force when cleaning speaker to avoid damages.