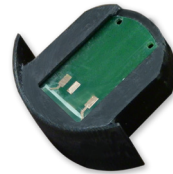


The TDWLB Series Wireless Bluetooth Pressure Transducer



TDWLB-BAT1

SERIES: TDWLB

DESCRIPTION

Another Industry First! The First Bluetooth Certified wireless pressure transducer with long battery life and patent pending design makes the Transducers Direct TDWLB a perfect fit for many applications for Industrial and Home Automation.

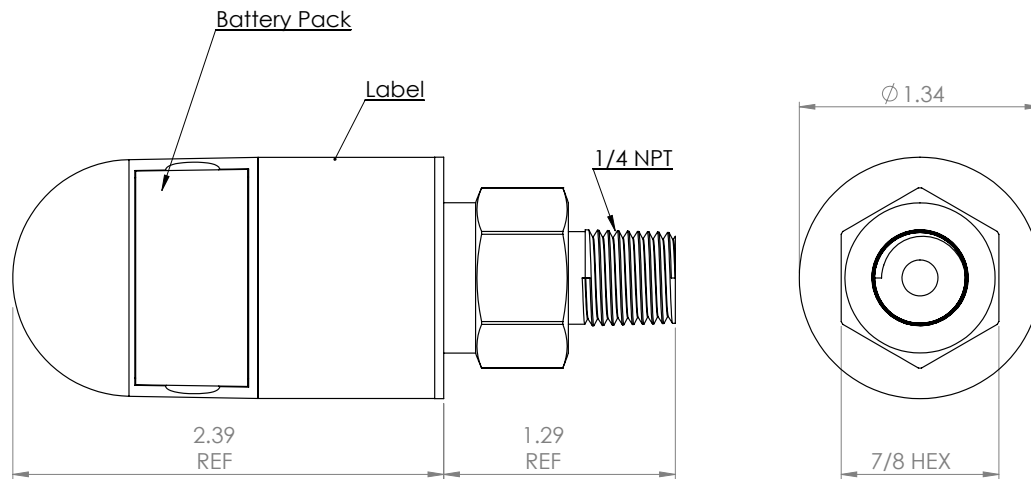
Download the Free app, install the transducer and wirelessly connect, no confusing wiring to figure out. From HVAC in marine, campers, motorhomes, residential and commercial

applications to water, hydraulic, irrigation, pools, medical and sprinkler systems or anywhere you need to monitor pressure without the need of wires.

Because it is built on Transducers Direct TD1000 propriety technology, ensures high quality, high accuracy, quick deliveries and low costs.

FEATURES

- Connects to smart phones, tablets, PCs with BLE (Bluetooth Low Energy)
- Certified Bluetooth Wireless technology
- Pressure ranges from Vacuum to 10,000 psi
- Long battery life (proprietary technology)
- 1% Standard accuracy with optional 0.15% Ultra high accuracy
- Stainless Steel and high impact polycarbonate construction
- Alarm set points
- Secure field programmable naming
- Patent Pending Design
- Schrader, NPT, SAE and G ¼ pressure connection

DRAWING

REGULATION NOTES

This equipment has been tested and found to comply with the limits for a Class A digital device pursuant to part 15 of the FCC Rules. These limits are designed to provide reasonable protection against harmful interference when the equipment is operated in a commercial environment. This equipment generates, uses, and can radiate radio frequency energy and, if not installed and used in accordance with the instruction manual, may cause harmful interference to radio communications. Operation of this equipment in a residential area is likely to cause harmful interference in which case the user will be required to correct the interference at his own expense.

Changes or modifications not expressly approved by Transducers Direct could void the user's authority to operate the equipment.

This device complies with Industry Canada licence-exempt RSS standard(s). Operation is subject to the following two conditions: (1) this device may not cause interference, and (2) this device must accept any interference, including interference that may cause undesired operation of the device.

Le présent appareil est conforme aux CNR d'Industrie Canada applicables aux appareils radio exempts de licence.

L'exploitation est autorisée aux deux conditions suivantes : (1) l'appareil ne doit pas produire de brouillage, et (2) l'appareil doit accepter tout brouillage radioélectrique subi, même si le brouillage est susceptible d'en compromettre le fonctionnement.

SPECIFICATIONS

Performance

Accuracy	Performance @ 25°C (77 °F) 0.25% or 1% BFSL
Overrange Protection	2x Rated Pressure
Pressure Range	see ordering chart - up to 5000 psi (345 bar)
Burst Pressure	5x or 20,000 psi, whichever is less
Pressure Cycles	>100 million
Update Time	Blue tooth (1sec)

Environmental Data

Temperature	
Compensated Temperatures	-10° to 60° C (14 to 140° F)
Operating Temperatures	-10° to 60° C (14° to 140° F)
Storage	-40° to 125° C (-40° to 257° F) without battery
TEB	3% BFSL (includes: Non-linearity, Hysteresis and Non-repeatability)
Long Term Drift	0.2% FS/year (non-cumulative)
Shock	50g, 11 ms, 1/2 sine
Vibration	10g, peak, 20 to 2400 Hz
EMI/FRI Protection	Yes
Rating	IP-65

Mechanical Configuration

Pressure Connections	1/4" NPT Male, 7/16-20 UNF, G1/4 Male
Wetted Material	17-4PH stainless steel (for other materials consult factory)
Case	(housing) 304 stainless steel and high-impact polycarbonate

Electrical Data

Power Supply	Replacement battery (TDWLB-BAT1) battery life: 18-24 months, typical
--------------	--

TRANSDUCERS
direct[®]

ORDERING

Series	Accuracy	Pressure Range	Pressure Connection
TDWLB	100	0500	03
	100 = 1.0%	0015 1000	03= 1/4" NPT Male
	200 = 0.25%	0025 2000	09= 7/16" x 20
		0050 3000	13= G1/4
		0100 4000	**
		0250 5000	
		0500	
		0750	
		**	

**= Consult factory for further OEM options.

Pressure ranges listed above are quick ship versions.

All straight-thread o-rings are Viton. It is customer's responsibility to determine compatibility.