



FCC RADIO TEST REPORT

FCC ID: 2ACFWRL-3RF3986I

Product : Driveway Alert

Trade Name : RL

Model Name : RL-3RF3986

Serial Model : RL-3RF3978,RL-2RF3986,RL-2RF3978,
RL-3986,RL-3978

Report No. : NTEK-2014NT0516804F

Prepared for

GUANGDONG ROULE ELECTRONICS CO.,LTD.
No.12,Pingdong 3rd Road,Nanping Industry Community,Zhuhai,
Guangdong China

Prepared by

Shenzhen NTEK Testing Technology Co., Ltd.
1/F, Building E, Fenda Science Park, Sanwei Community,Xixiang Street
Bao'an District, Shenzhen P.R. China
Tel.: +86-0755-61156588 Fax.: +86-0755-61156599
Website:www.ntek.org.cn

TEST RESULT CERTIFICATION

Applicant's name : GUANGDONG ROULE ELECTRONICS CO.,LTD.
Address : No.12,Pingdong 3rd Road,Nanping Industry Community,Zhuhai,
Guangdong China

Manufacturer's Name..... : GUANGDONG ROULE ELECTRONICS CO.,LTD.
Address : No.12,Pingdong 3rd Road,Nanping Industry Community,Zhuhai,
Guangdong China

Product description

Product name : Driveway Alert
Model and/or type reference : RL-3RF3986
Serial Model : RL-3RF3978,RL-2RF3986,RL-2RF3978, RL-3986,RL-3978

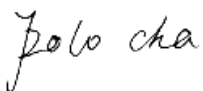
Standards : FCC Part15.231

Test procedure..... ANSI C63.4-2003

This device described above has been tested by NTEK, and the test results show that the equipment under test (EUT) is in compliance with the FCC requirements. And it is applicable only to the tested sample identified in the report.

This report shall not be reproduced except in full, without the written approval of NTEK, this document may be altered or revised by NTEK, personal only, and shall be noted in the revision of the document.

Date of Test :
Date (s) of performance of tests : 16 May 2014 ~20 May 2014
Date of Issue..... : 20 May 2014
Test Result..... : **Pass**

Testing Engineer : 
(Polo Cha)

Technical Manager : 
(Brown Lu)

Authorized Signatory : 
(Bill Yao)

| Table of Contents | Page |
|---|-------------|
| 1 . SUMMARY OF TEST RESULTS | 4 |
| 1.1 TEST FACILITY | 5 |
| 1.2 MEASUREMENT UNCERTAINTY | 5 |
| 2 . GENERAL INFORMATION | 6 |
| 2.1 GENERAL DESCRIPTION OF EUT | 6 |
| 2.2 DESCRIPTION OF TEST MODES | 7 |
| 2.3 BLOCK DIGRAM SHOWING THE CONFIGURATION OF SYSTEM TESTED | 8 |
| 2.4 DESCRIPTION OF SUPPORT UNITS(CONDUCTED MODE) | 9 |
| 2.5 EQUIPMENTS LIST FOR ALL TEST ITEMS | 10 |
| 3 . ANTENNA REQUIREMENT | 11 |
| 3.1 STANDARD REQUIREMENT | 11 |
| 3.2 EUT ANTENNA | 11 |
| 3.3 CONDUCTED EMISSION MEASUREMENT | 12 |
| 3.3.1 POWER LINE CONDUCTED EMISSION LIMITS | 12 |
| 3.3.2 TEST PROCEDURE | 13 |
| 3.3.3 DEVIATION FROM TEST STANDARD | 13 |
| 3.3.4 TEST SETUP | 13 |
| 3.2.5 TEST RESULT | 14 |
| 3.4 RADIATED EMISSION MEASUREMENT | 15 |
| 3.4.1 RADIATED EMISSION LIMITS | 15 |
| 3.4.2 TEST PROCEDURE | 16 |
| 3.4.3 DEVIATION FROM TEST STANDARD | 16 |
| 3.4.4 TEST SETUP | 17 |
| 3.4.5 TEST RESULTS (BELOW 30MHZ) | 19 |
| 3.4.6 TEST RESULTS (BETWEEN 30 – 1000 MHZ) | 20 |
| 4 . BANDWIDTH TEST | 23 |
| 4.1 TEST PROCEDURE | 23 |
| 4.2 DEVIATION FROM STANDARD | 23 |
| 4.3 TEST SETUP | 23 |
| 4.4 TEST RESULTS | 24 |
| 5 . TRANSMITTER TIMEOUT | 25 |
| 5.1 REQUIREMENTS | 25 |
| 6 . EUT TEST PHOTO | 26 |
| APPENDIX-PHOTOGRAPHS OF EUT CONSTRUCTIONAL DETAILS | |

1. SUMMARY OF TEST RESULTS

Test procedures according to the technical standards:

| FCC Part15, Subpart C (15.231) | | | |
|--------------------------------|----------------------------|----------|---------|
| Standard Section | Test Item | Judgment | Remark |
| 15.207 | Conducted Emission | N/A | Note(1) |
| 15.203 | Antenna Requirement | Pass | |
| 15.231 | Radiated Spurious Emission | Pass | |
| 15.231 | Occupied Bandwidth | Pass | |
| 15.231 | Transmitter Timeout | Pass | |

NOTE:

(1) "N/A" denotes test is not applicable in this Test Report.

1.1 TEST FACILITY

NTEK Testing Technology Co., Ltd

Add. : 1/F, Building E, Fenda Science Park, Sanwei Community, Xixiang Street, Bao'an District, Shenzhen P.R. China.

FCC Registration No.:238937; IC Registration No.:9270A-1

CNAS Registration No.:L5516

1.2 MEASUREMENT UNCERTAINTY

The reported uncertainty of measurement $y \pm U$, where expanded uncertainty U is based on a standard uncertainty multiplied by a coverage factor of $k=2$, providing a level of confidence of approximately **95 %**.

| No. | Item | Uncertainty |
|-----|------------------------------|-------------------------|
| 1 | Conducted Emission Test | $\pm 1.38\text{dB}$ |
| 2 | RF power,conducted | $\pm 0.16\text{dB}$ |
| 3 | Spurious emissions,conducted | $\pm 0.21\text{dB}$ |
| 4 | All emissions,radiated(<1G) | $\pm 4.68\text{dB}$ |
| 5 | All emissions,radiated(>1G) | $\pm 4.89\text{dB}$ |
| 6 | Temperature | $\pm 0.5^\circ\text{C}$ |
| 7 | Humidity | $\pm 2\%$ |

2. GENERAL INFORMATION

2.1 GENERAL DESCRIPTION OF EUT

| | | |
|---------------------|--|--------------|
| Equipment | Driveway Alert | |
| Trade Name | RL | |
| Model Name | RL-3RF3986 | |
| Serial Model | RL-3RF3978,RL-2RF3986,RL-2RF3978,RL-3986,RL-3978 | |
| Model Difference | All the models are the same circuit and RF module, except the model names. | |
| Product Description | The EUT is a Driveway Alert | |
| | Product Type | Infrared |
| | Operation Frequency: | 434.02MHz |
| | Modulation Type: | ASK |
| | Number Of Channel | 1CH. |
| | Antenna Designation: | FPCB antenna |
| | Antenna Gain(Peak) | 1 dBi |
| | Output Power: | 80.35dBuV/m |
| | Based on the application, features, or specification exhibited in User's Manual, the EUT is considered as an ITE/Computing Device. More details of EUT technical specification, please refer to the User's Manual. | |
| Channel List | N/A | |
| Adapter | N/A | |

Note:

1. For a more detailed features description, please refer to the manufacturer's specifications or the User's Manual.

2.

Table for Filed Antenna

| Ant | Brand | Model Name | Antenna Type | Connector | Gain (dBi) | NOTE |
|-----|-------|------------|--------------|-----------|------------|---------|
| 1 | N/A | N/A | FPCB antenna | NA | 1 | Antenna |

2.2 DESCRIPTION OF TEST MODES

To investigate the maximum EMI emission characteristics generates from EUT, the test system was pre-scanning tested base on the consideration of following EUT operation mode or test configuration mode which possible have effect on EMI emission level. Each of these EUT operation mode(s) or test configuration mode(s) mentioned above was evaluated respectively.

| Pretest Mode | Description |
|--------------|-------------|
| Mode 1 | TX |

| For Conducted Emission | |
|------------------------|-------------|
| Final Test Mode | Description |
| Mode 1 | TX |

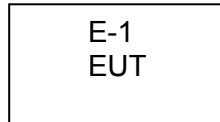
| For Radiated Emission | |
|-----------------------|-------------|
| Final Test Mode | Description |
| Mode 1 | TX |

Note:

(1) The EUT use new battery.

2.3 BLOCK DIGRAM SHOWING THE CONFIGURATION OF SYSTEM TESTED

Radiated Spurious Emission Test



2.4 DESCRIPTION OF SUPPORT UNITS(CONDUCTED MODE)

The EUT has been tested as an independent unit together with other necessary accessories or support units. The following support units or accessories were used to form a representative test configuration during the tests.

| Item | Equipment | Brand | Model/Type No. | Series No. | Note |
|------|----------------|-------|----------------|------------|------|
| E-1 | Driveway Alert | RL | RL-3RF3986 | N/A | EUT |
| | | | | | |
| | | | | | |
| | | | | | |
| | | | | | |

| Item | Shielded Type | Ferrite Core | Length | Note |
|------|---------------|--------------|--------|------|
| | | | | |
| | | | | |
| | | | | |
| | | | | |
| | | | | |

Note:

- (1) The support equipment was authorized by Declaration of Confirmation.
- (2) For detachable type I/O cable should be specified the length in cm in 『Length』 column.

2.5 EQUIPMENTS LIST FOR ALL TEST ITEMS

Radiation Test equipment

| Item | Kind of Equipment | Manufacturer | Type No. | Serial No. | Last calibration | Calibrated until | Calibration period |
|------|--------------------|--------------|-------------|--------------|------------------|------------------|--------------------|
| 1 | Spectrum Analyzer | Agilent | E4407B | MY45108040 | 2013.07.06 | 2014.07.05 | 1 year |
| 2 | Test Receiver | R&S | ESPI | 101318 | 2013.06.07 | 2014.06.06 | 1 year |
| 3 | Bilog Antenna | TESEQ | CBL6111D | 31216 | 2013.07.06 | 2014.07.05 | 1 year |
| 4 | 50Ω Coaxial Switch | Anritsu | MP59B | 6200264416 | 2013.06.07 | 2014.06.06 | 1 year |
| 5 | Spectrum Analyzer | ADVANTEST | R3132 | 150900201 | 2013.06.07 | 2014.06.06 | 1 year |
| 6 | Horn Antenna | EM | EM-AH-10180 | 2011071402 | 2013.07.06 | 2014.07.05 | 1 year |
| 7 | Horn Ant | Schwarzbeck | BBHA 9170 | 9170-181 | 2013.07.06 | 2014.07.05 | 1 year |
| 8 | Amplifier | EM | EM-30180 | 060538 | 2013.12.22 | 2014.12.21 | 1 year |
| 9 | Loop Antenna | ARA | PLA-1030/B | 1029 | 2013.06.08 | 2014.06.07 | 1 year |
| 10 | Power Meter | R&S | NRVS | 100696 | 2013.07.06 | 2014.07.05 | 1 year |
| 11 | Power Sensor | R&S | URV5-Z4 | 0395.1619.05 | 2013.07.06 | 2014.07.05 | 1 year |

Conduction Test equipment

| Item | Kind of Equipment | Manufacturer | Type No. | Serial No. | Last calibration | Calibrated until | Calibration period |
|------|-----------------------|--------------|----------|------------|------------------|------------------|--------------------|
| 1 | Test Receiver | R&S | ESCI | 101160 | 2013.06.06 | 2014.06.05 | 1 year |
| 2 | LISN | R&S | ENV216 | 101313 | 2013.08.24 | 2014.08.23 | 1 year |
| 3 | LISN | EMCO | 3816/2 | 00042990 | 2013.08.24 | 2014.08.23 | 1 year |
| 4 | 50Ω Coaxial Switch | Anritsu | MP59B | 6200264417 | 2013.06.07 | 2014.06.06 | 1 year |
| 5 | Passive Voltage Probe | R&S | ESH2-Z3 | 100196 | 2013.06.07 | 2014.06.06 | 1 year |
| 6 | Absorbing clamp | R&S | MOS-21 | 100423 | 2013.06.08 | 2014.06.07 | 1 year |

3. ANTENNA REQUIREMENT

3.1 STANDARD REQUIREMENT

15.203 requirement: For intentional device, according to 15.203: an intentional radiator shall be designed to ensure that no antenna other than that furnished by the responsible party shall be used with the device.

3.2 EUT ANTENNA

The EUT antenna is FPCB Antenna. It comply with the standard requirement.

3.3 CONDUCTED EMISSION MEASUREMENT

3.3.1 POWER LINE CONDUCTED EMISSION Limits (Frequency Range 150KHz-30MHz)

| FREQUENCY (MHz) | Class A (dBuV) | | Class B (dBuV) | | Standard |
|-----------------|----------------|---------|----------------|-----------|----------|
| | Quasi-peak | Average | Quasi-peak | Average | |
| 0.15 -0.5 | | | 66 - 56 * | 56 - 46 * | CISPR |
| 0.50 -5.0 | | | 56.00 | 46.00 | CISPR |
| 5.0 -30.0 | | | 60.00 | 50.00 | CISPR |

| | | | | | |
|-----------|--|--|-----------|-----------|--------|
| 0.15 -0.5 | | | 66 - 56 * | 56 - 46 * | LP002. |
| 0.50 -5.0 | | | 56.00 | 46.00 | LP002. |
| 5.0 -30.0 | | | 60.00 | 50.00 | LP002. |

Note:

- (1) The tighter limit applies at the band edges.
- (2) The limit of " * " marked band means the limitation decreases linearly with the logarithm of the frequency in the range.

The following table is the setting of the receiver

| Receiver Parameters | Setting |
|---------------------|----------|
| Attenuation | 10 dB |
| Start Frequency | 0.15 MHz |
| Stop Frequency | 30 MHz |
| IF Bandwidth | 9 kHz |

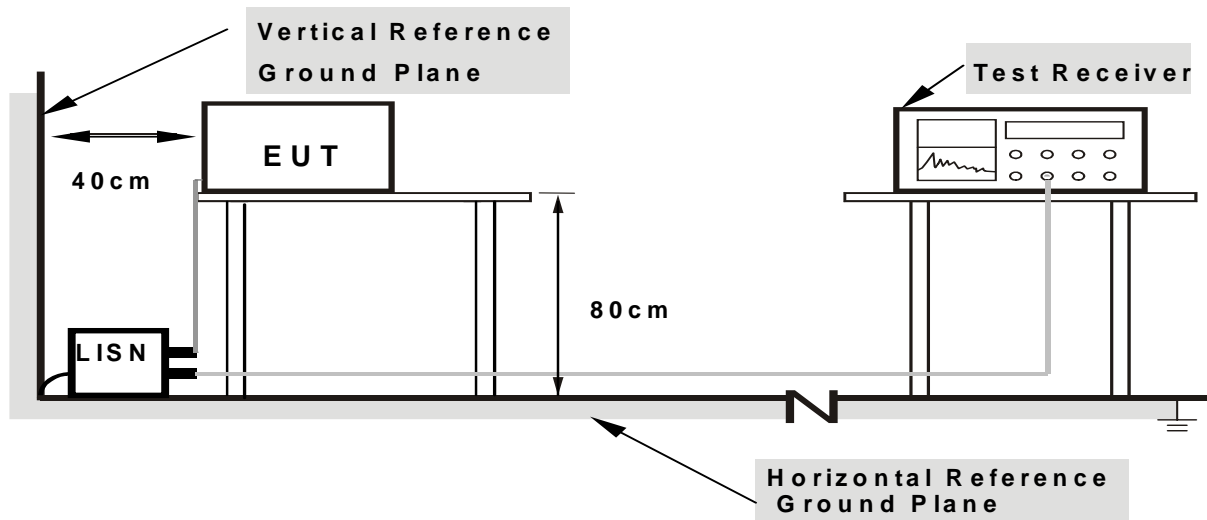
3.3.2 TEST PROCEDURE

- a. The EUT was placed 0.8 meters from the horizontal ground plane with EUT being connected to the power mains through a line impedance stabilization network (LISN). All other support equipments powered from additional LISN(s). The LISN provide 50 Ohm/ 50uH of coupling impedance for the measuring instrument.
- b. Interconnecting cables that hang closer than 40 cm to the ground plane shall be folded back and forth in the center forming a bundle 30 to 40 cm long.
- c. I/O cables that are not connected to a peripheral shall be bundled in the center. The end of the cable may be terminated, if required, using the correct terminating impedance. The overall length shall not exceed 1 m.
- d. LISN at least 80 cm from nearest part of EUT chassis.
- e. For the actual test configuration, please refer to the related Item –EUT Test Photos.

3.3.3 DEVIATION FROM TEST STANDARD

No deviation

3.3.4 TEST SETUP



Note: 1.Support units were connected to second LISN.

2.Both of LISNs (AMN) are 80 cm from EUT and at least 80 from other units and other metal planes

3.2.5 TEST RESULT

| | | | |
|----------------|----------------|---------------------|------------|
| EUT : | Driveway Alert | Model Name. : | RL-3RF3986 |
| Temperature : | 26 °C | Relative Humidity : | 54% |
| Pressure : | 1010hPa | Phase : | N/A |
| Test Voltage : | N/A | Test Mode : | N/A |

3.4 RADIATED EMISSION MEASUREMENT

3.4.1 Radiated Emission Limits (FCC 15.209)

| Frequencies (MHz) | Field Strength (micorvolts/meter) | Measurement Distance (meters) |
|-------------------|-----------------------------------|-------------------------------|
| 0.009~0.490 | 2400/F(KHz) | 300 |
| 0.490~1.705 | 24000/F(KHz) | 30 |
| 1.705~30.0 | 30 | 30 |
| 30~88 | 100 | 3 |
| 88~216 | 150 | 3 |
| 216~960 | 200 | 3 |
| Above 960 | 500 | 3 |

Note:

- (1) The tighter limit applies at the band edges.
- (2) Emission level (dBuV/m)=20log Emission level (uV/m).

LIMITS OF RADIATED EMISSION MEASUREMENT (FCC 15.231)

| Fundamental Frequency (MHz) | Field Strength of fundamental (microvolts/meter) | Field Strength of Unwanted Emissions (microvolts/meter) |
|-----------------------------|--|---|
| 40.66 - 40.70 | 2250.00 | 225.00 |
| 70 - 130 | 1250.00 | 125.00 |
| 130 - 174 | 1,250 to 3,750 ** | 125 to 375 ** |
| 174 - 260 | 3750.00 | 375.00 |
| 260 - 470 | 3,750 to 12,500 ** | 375 to 1,250 ** |
| Above 470 | 12500.00 | 1250.00 |

Notes:

- (1) ** linear interpolations

[Where F is the frequency in MHz, the formulas for calculating the maximum permitted fundamental field strengths are as follows: for the band 130-174 MHz, uV/m at 3 meters = 56.81818(F) - 6136.3636; for the band 260-470 MHz, uV/m at 3 meters = 41.6667(F) - 7083.3333. The maximum permitted unwanted emission level is 20 dB below the maximum permitted fundamental level.]

The limits on the field strength of the spurious emissions in the above table are based on the fundamental frequency of the intentional radiator. Spurious emissions shall be attenuated to the average (or, alternatively, CISPR quasi-peak) limits shown in this table or to the general limits shown in 93 Section 15.209, whichever limit permits a higher field strength.

| Spectrum Parameter | Setting |
|---------------------------------------|-----------------------|
| Attenuation | Auto |
| Start Frequency | 1000 MHz |
| Stop Frequency | 10th carrier harmonic |
| RB / VB (emission in restricted band) | 1MHz / 1MHz for Peak |

| Receiver Parameter | Setting |
|------------------------|----------------------------------|
| Attenuation | Auto |
| Start ~ Stop Frequency | 9kHz~150kHz / RB 200Hz for QP |
| Start ~ Stop Frequency | 150kHz~30MHz / RB 9kHz for QP |
| Start ~ Stop Frequency | 30MHz~1000MHz / RB 120kHz for QP |

3.4.2 TEST PROCEDURE

- a. The measuring distance of at 3 m shall be used for measurements at frequency up to 1GHz. For frequencies above 1GHz, any suitable measuring distance may be used.
- b. The EUT was placed on the top of a rotating table 0.8 meters above the ground at a 3m meter open area test site. The table was rotated 360 degrees to determine the position of the highest radiation.
- c. The height of the equipment or of the substitution antenna shall be 0.8 m; the height of the test antenna shall vary between 1 m to 4 m.
- d. The initial step in collecting conducted emission data is a spectrum analyzer peak detector mode pre-scanning the measurement frequency range. Significant peaks are then marked and then Quasi Peak detector mode re-measured.
- e. If the Peak Mode measured value compliance with and lower than Quasi Peak Mode Limit, the EUT shall be deemed to meet QP Limits and then no additional QP Mode measurement performed.
- f. For the actual test configuration, please refer to the related Item –EUT Test Photos.

Note:

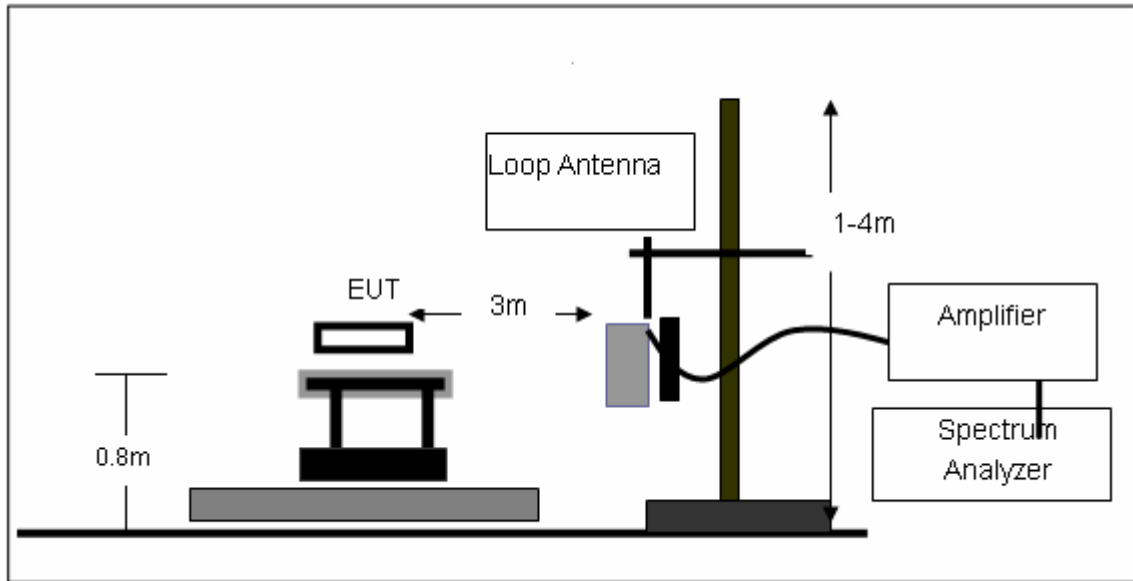
Both horizontal and vertical antenna polarities were tested and performed pretest to three orthogonal axis. The worst case emissions were reported

3.4.3 DEVIATION FROM TEST STANDARD

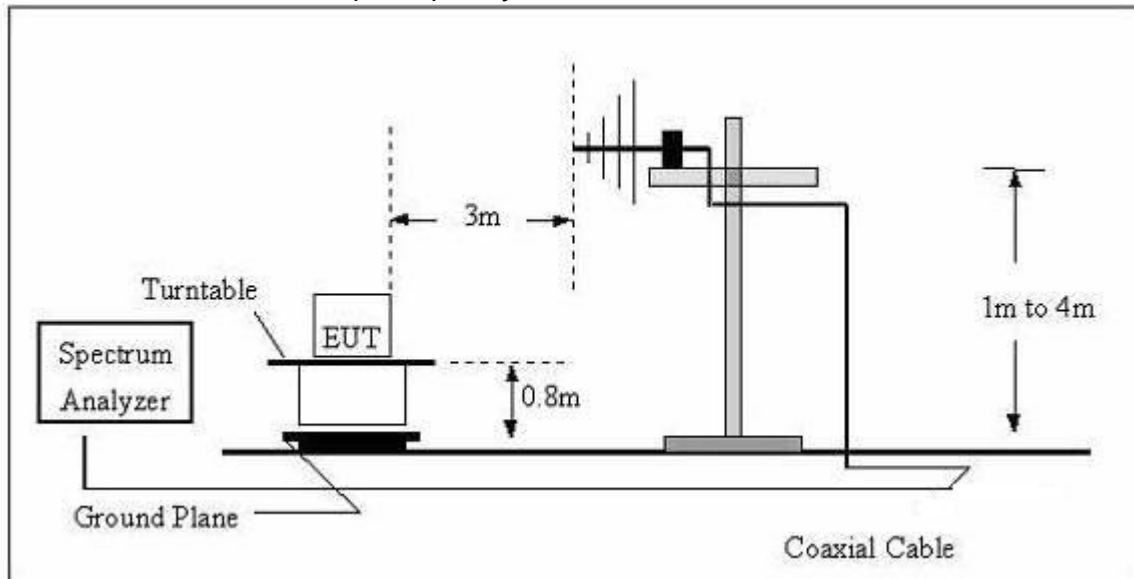
No deviation

3.4.4 TEST SETUP

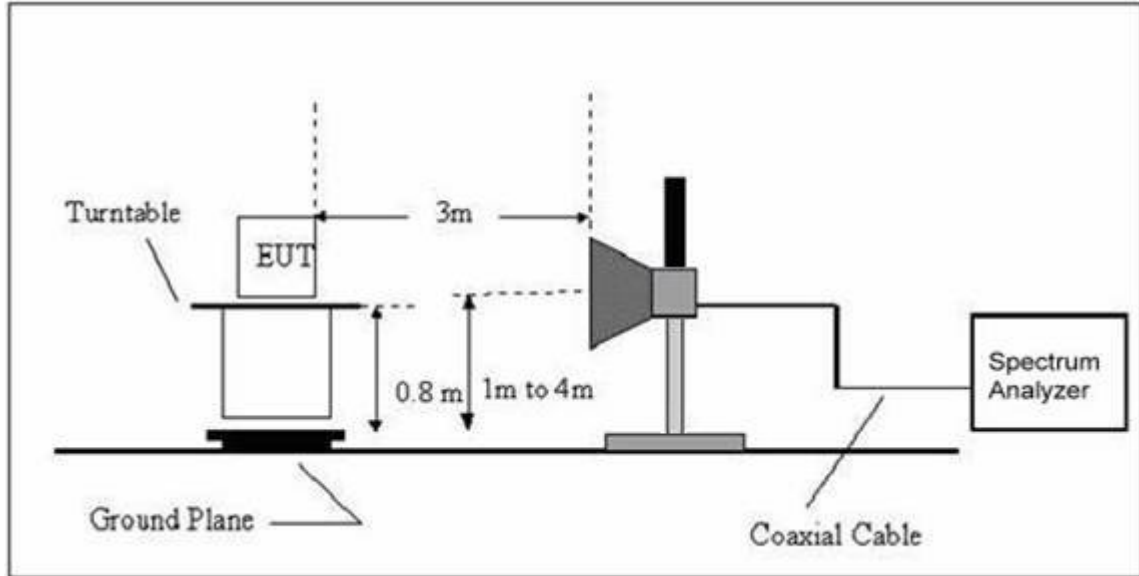
(A) Radiated Emission Test-Up Frequency Below 30MHz



(B) Radiated Emission Test-Up Frequency 30MHz~1GHz



(C) Radiated Emission Test-Setup Frequency Above 1GHz



3.4.5 TEST RESULTS (BELOW 30MHz)

| | | | |
|---------------|----------------|---------------------|------------|
| EUT : | Driveway Alert | Model Name. : | RL-3RF3986 |
| Temperature : | 20 °C | Relative Humidity : | 48% |
| Pressure : | 1010 hPa | Test Voltage : | DC 9V |
| Test Mode : | TX | Polarization : | -- |

| Freq. | Reading | Limit | Margin | State |
|-------|----------|----------|--------|-------|
| (MHz) | (dBuV/m) | (dBuV/m) | (dB) | P/F |
| -- | -- | -- | -- | PASS |
| -- | -- | -- | -- | PASS |

NOTE:

The amplitude of spurious emissions which are attenuated by more than 20dB below the permissible value has no need to be reported.

Distance extrapolation factor = $40 \log(\text{specific distance}/\text{test distance})$ (dB);

Limit line = specific limits(dBuv) + distance extrapolation factor.

3.4.6 TEST RESULTS (BETWEEN 30 – 1000 MHZ)

| | | | |
|---------------|----------------|---------------------|------------|
| EUT : | Driveway Alert | Model Name : | RL-3RF3986 |
| Temperature : | 20 °C | Relative Humidity : | 48% |
| Pressure : | 1010 hPa | Test Voltage : | DC 9V |
| Test Mode : | TX | Polarization : | Horizontal |

| Frequency | Average Factor | Field Strength | Field Strength | Limit(PK) | Limit(AV) | State |
|-----------|----------------|----------------|----------------|-----------|-----------|-------|
| MHz | dB | dBuV/m (PK) | dBuV/m (AV) | dBuV/m | dBuV/m | |
| 434.02 | -7.54 | 80.10 | 72.56 | 100.83 | 80.83 | pass |
| 868.05 | -7.54 | 66.01 | 58.47 | 80.83 | 60.83 | pass |
| 1302.06 | -7.54 | 59.87 | 52.33 | 74.00 | 54.00 | pass |
| 1736.07 | -7.54 | 52.95 | 45.41 | 74.00 | 54.00 | pass |
| 2171.12 | -7.54 | 50.29 | 42.75 | 74.00 | 54.00 | pass |

| | | | |
|---------------|----------------|---------------------|------------|
| EUT : | Driveway Alert | Model Name : | RL-3RF3986 |
| Temperature : | 20 °C | Relative Humidity : | 48% |
| Pressure : | 1010 hPa | Test Voltage : | DC 9V |
| Test Mode : | TX | Polarization : | Vertical |

| Frequency | Average Factor | Field Strength | Field Strength | Limit(PK) | Limit(AV) | State |
|-----------|----------------|----------------|----------------|-----------|-----------|-------|
| MHz | dB | dBuV/m (PK) | dBuV/m (AV) | dBuV/m | dBuV/m | |
| 434.02 | -7.54 | 80.35 | 72.81 | 100.83 | 80.83 | pass |
| 868.04 | -7.54 | 62.34 | 54.80 | 80.83 | 60.83 | pass |
| 1302.05 | -7.54 | 58.68 | 51.14 | 74.00 | 54.00 | pass |
| 1736.07 | -7.54 | 54.46 | 46.92 | 74.00 | 54.00 | pass |
| 2171.09 | -7.54 | 49.54 | 42.00 | 74.00 | 54.00 | pass |
| -- | -- | -- | -- | -- | -- | -- |

NOTE: 1. *Calculate Average value based on Duty Cycle correction factor:

Duty Cycle=Ton/(Ton+Toff)= 25.15ms/59.75ms = 0.42=42%

Duty Cycle factor=20lg(Duty Cycle)=20lg(0.42)= -7.54dB

Average=Peak+ Duty Cycle factor

2. FCC Limit for Average Measurement = 41.6667(434.02)-7083.3333 = 11000.8478uV/m
=80.83dBuV/m

3. Pulse Desensitization Correction Factor

Pulse Width(PW)=25.15ms 2/PW=2/25.15ms=0.0795kHz

RBW(100kHz) > 2/PW (0.0795kHz) Therefore PDCF is not needed

3.4.7 DUTY CYCLE

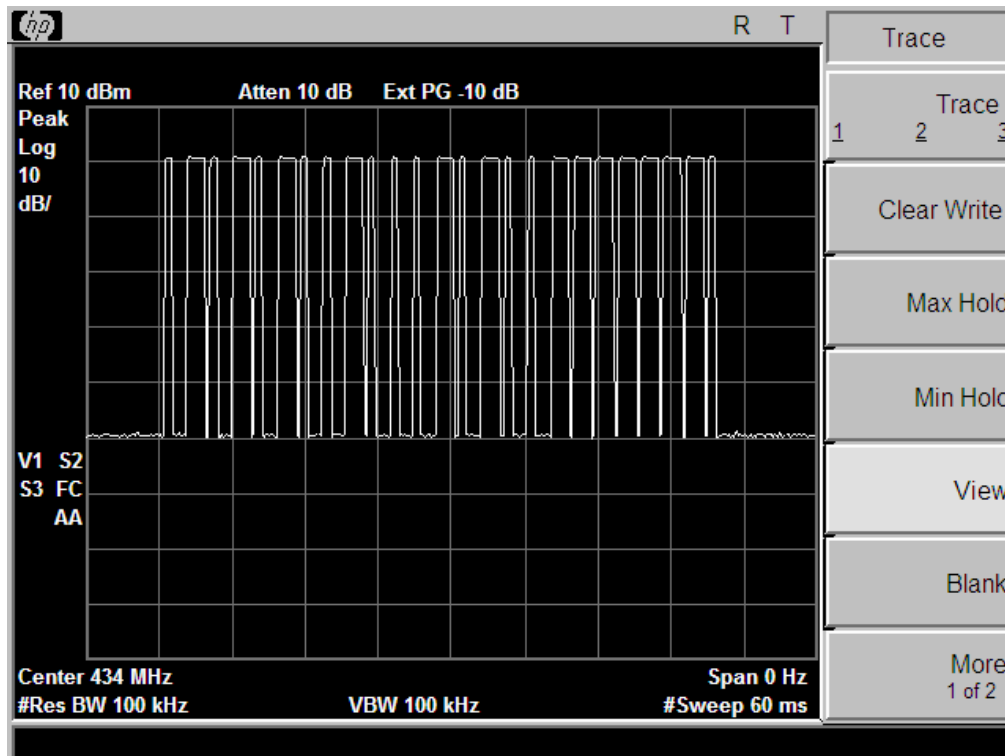
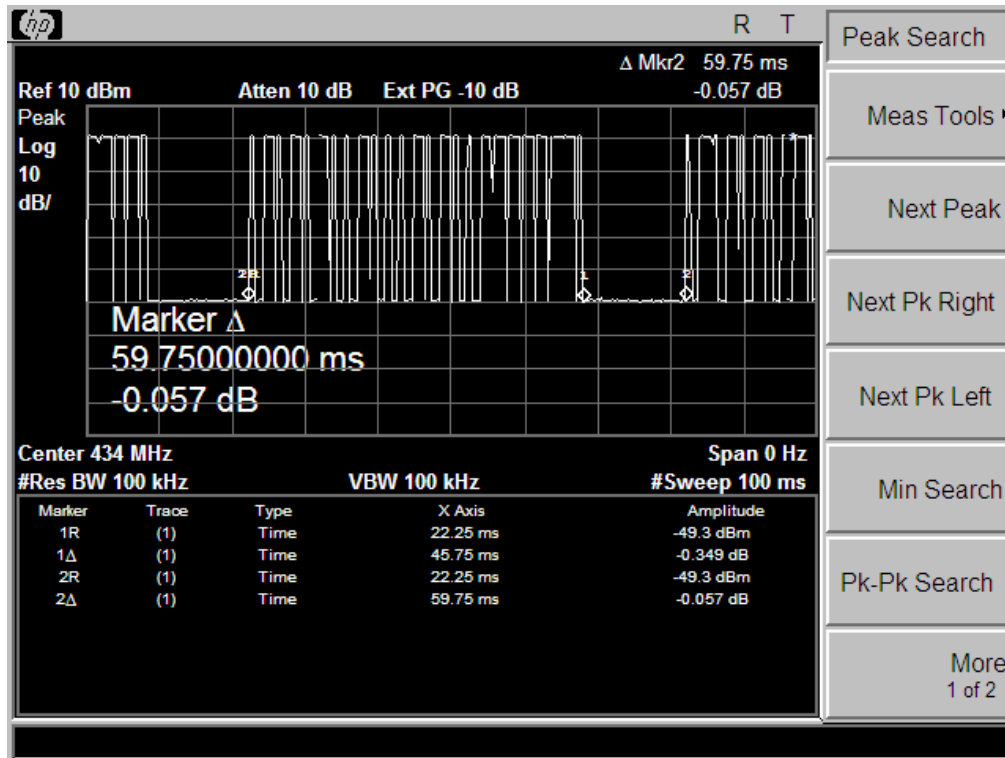
The duty cycle is simply the on time divided by the period:

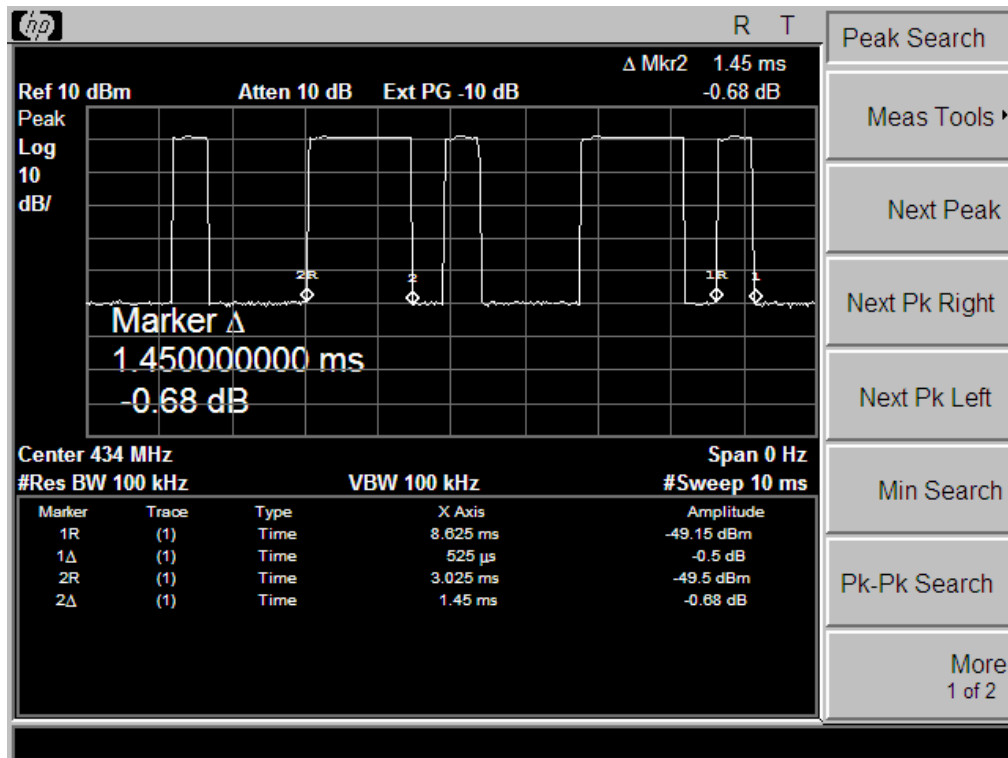
The duration of one cycle = 59.75ms

Effective period of the cycle = $0.525\text{ms} \times 12 + 1.45\text{ms} \times 13 = 25.15\text{ms}$

Duty Cycle = $25.15\text{ms} / 59.75\text{ms} = 0.42$

The duration of one cycle





4. BANDWIDTH TEST

4.1 TEST PROCEDURE

The bandwidth of the emission shall be no wider than 0.25% of the center frequency for devices operating above 70 MHz and below 900 MHz. For devices operating above 900 MHz, the emission shall be no wider than 0.5% of the center frequency. Bandwidth is determined at the points 20 dB down from the modulated carrier.

Limit: $434.02\text{MHz} \times 0.25\% = 1085.05\text{KHz}$

4.2 DEVIATION FROM STANDARD

No deviation.

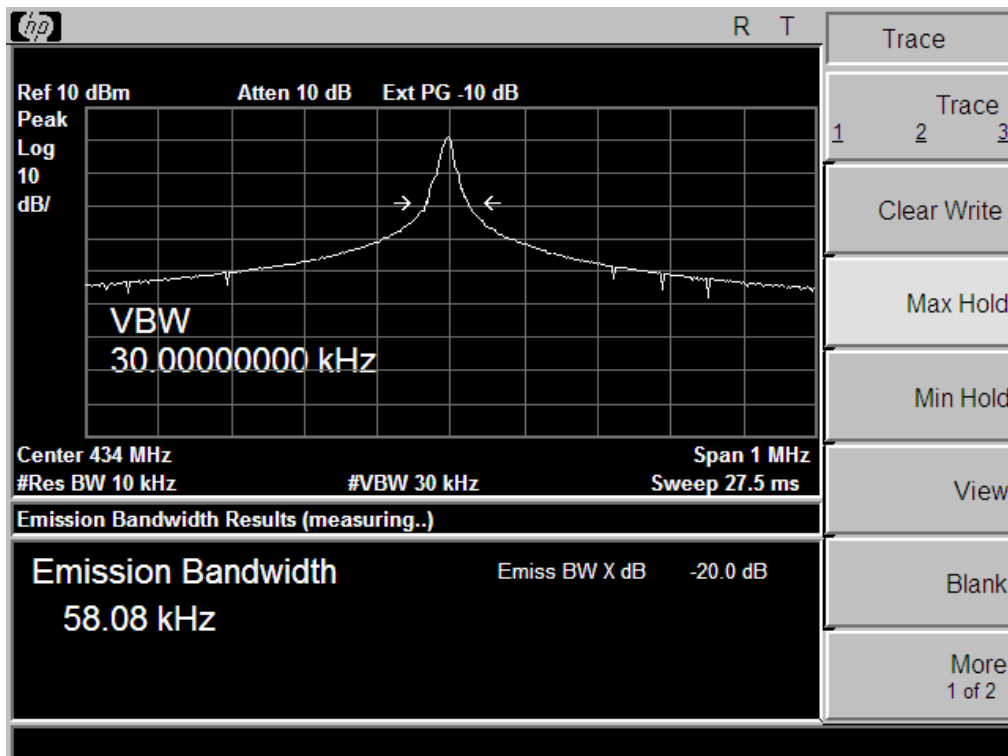
4.3 TEST SETUP



4.4 TEST RESULTS

| | | | |
|---------------|----------------|---------------------|------------|
| EUT : | Driveway Alert | Model Name : | RL-3RF3986 |
| Temperature : | 26 °C | Relative Humidity : | 53% |
| Pressure : | 1020 hPa | Test Power : | DC 9V |
| Test Mode : | TX CH 1 | | |

| Test Channel | Frequency (MHz) | 20 dBc Bandwidth (kHz) | Limit (kHz) |
|--------------|-----------------|------------------------|-------------|
| CH01 | 434.02 | 58.08 | 1085.05 |



5. TRANSMITTER TIMEOUT

5.1 REQUIREMENTS

1 A manually operated transmitter shall employ a switch that will automatically deactivate the transmitter within not more than 5 seconds of being released.

Result: The EUT has a manually activated transmitter, please refer to below detail data

2 A transmitter activated automatically shall cease transmission within 5 seconds after activation.

Result: The EUT does not have a automatically activated transmitter

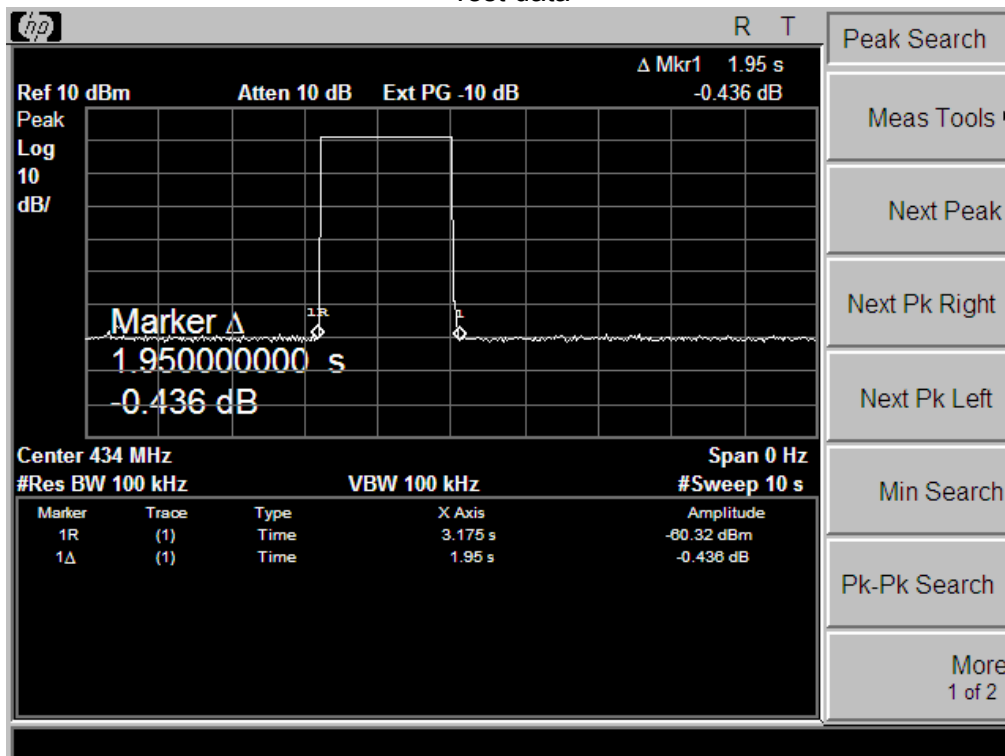
3 Periodic transmissions at regular predetermined intervals are not permitted. However, polling or supervision transmissions, including data, to determine system integrity of transmitters used in security or safety applications are allowed if the total duration of transmissions does not exceed more than two seconds per hour for each transmitter. There is no limit on the number of individual transmissions, provided the total transmission time does not exceed two seconds per hour

Result: The EUT does not employ periodic transmission.

4 Intentional radiators which are employed for radio control purposes during emergencies involving fire, security, and safety of life, when activated to signal an alarm, may operate during the pendency of the alarm condition.

Result: The section is not applicable to EUT.

Test data



| THE DURATION OF EACH TRANSMISSION | LIMIT | RESULT |
|-----------------------------------|-------|--------|
| 1.95s | <5s | PASS |

6. EUT TEST PHOTO

Radiated Measurement Photos

