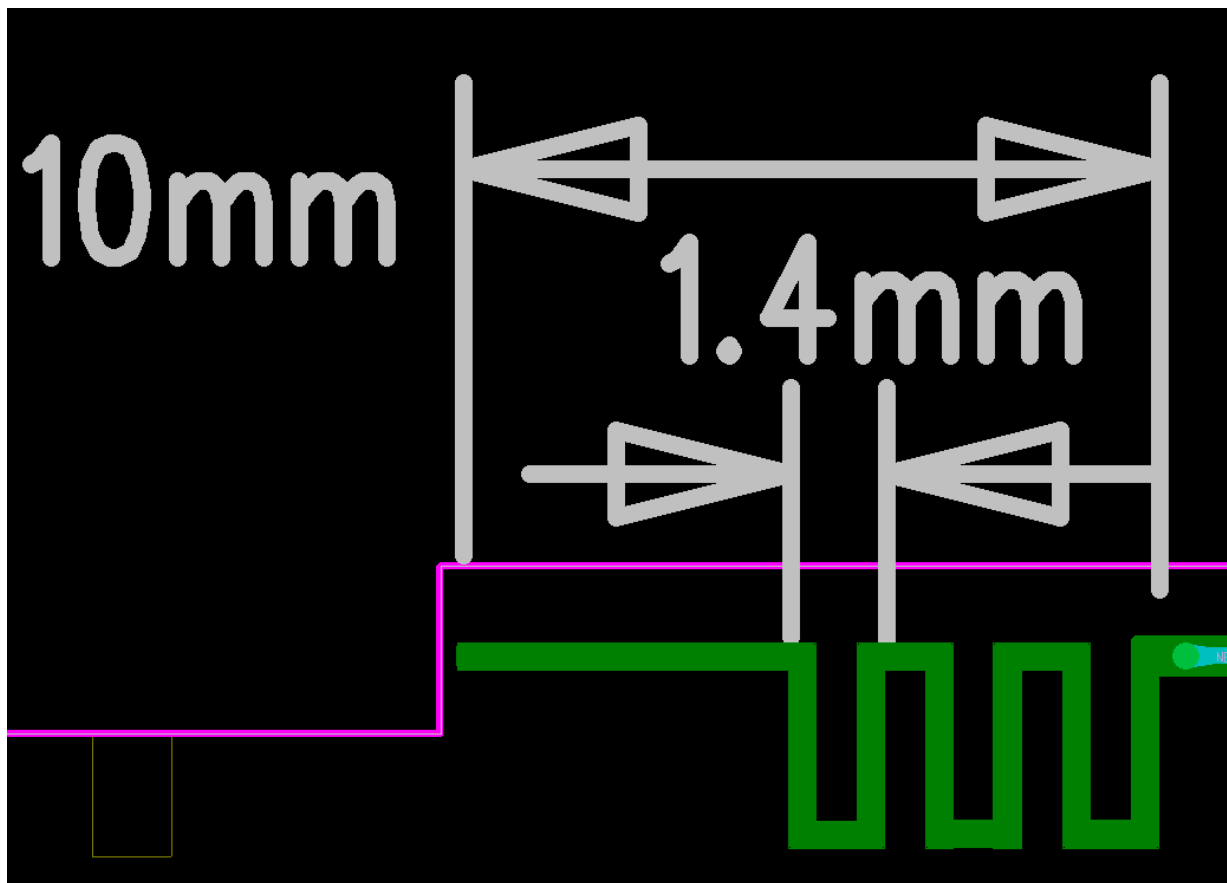


Specifications:

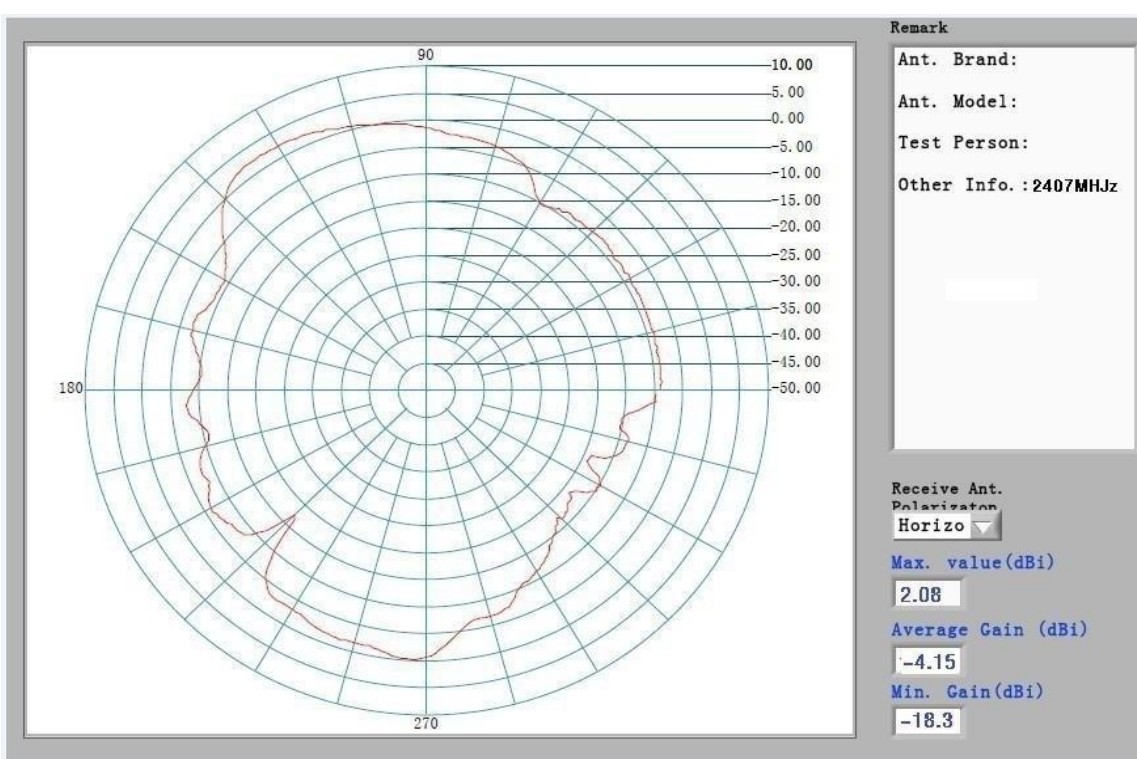
ITEM	SPEC	
Model Name Center Frequency	2408MHz	2.08dBi
	2446MHz	1.83dBi
	2478MHz	1.15dBi
MAX.GAIN	2.08dBi	
Polarization	Horizontal	
Azimuth Beam Pattern	0mmi-directional	
Impedance	50 Ω	
Antenna Length	10mm	
Manufacture	ATANS Technology Inc.	

Antenna Photo & Length

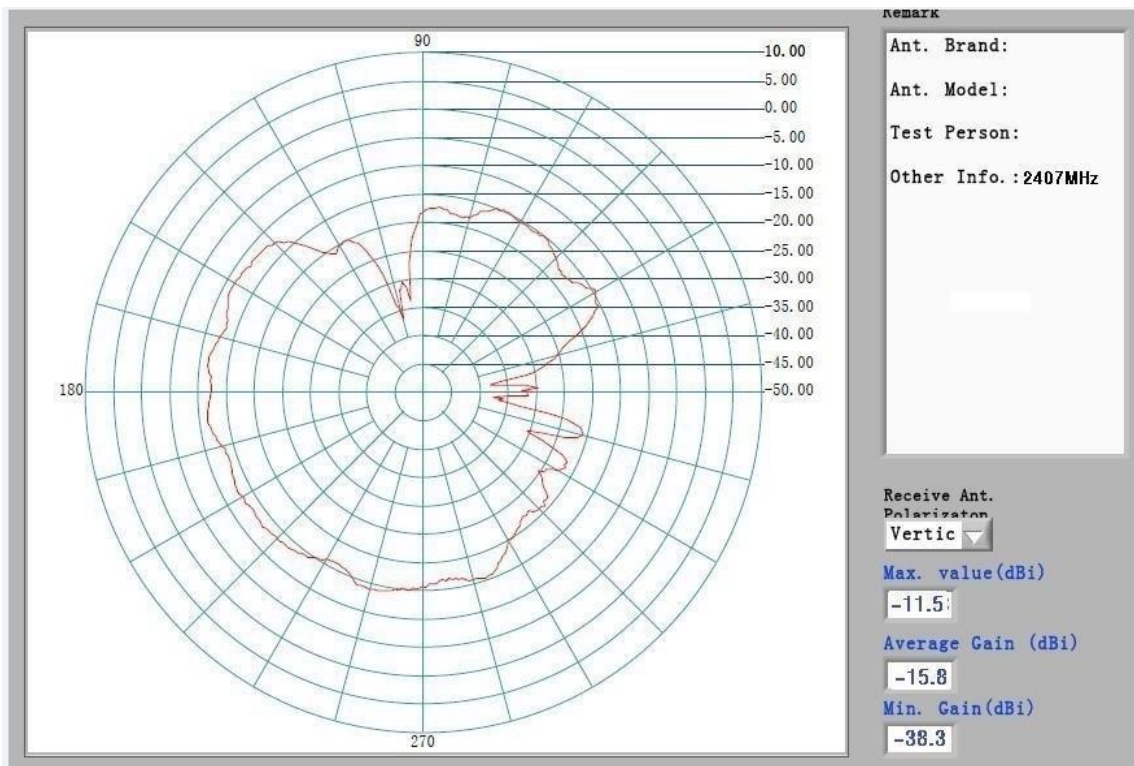


1. Main antenna: 2408MHz

1.1 Horizontal



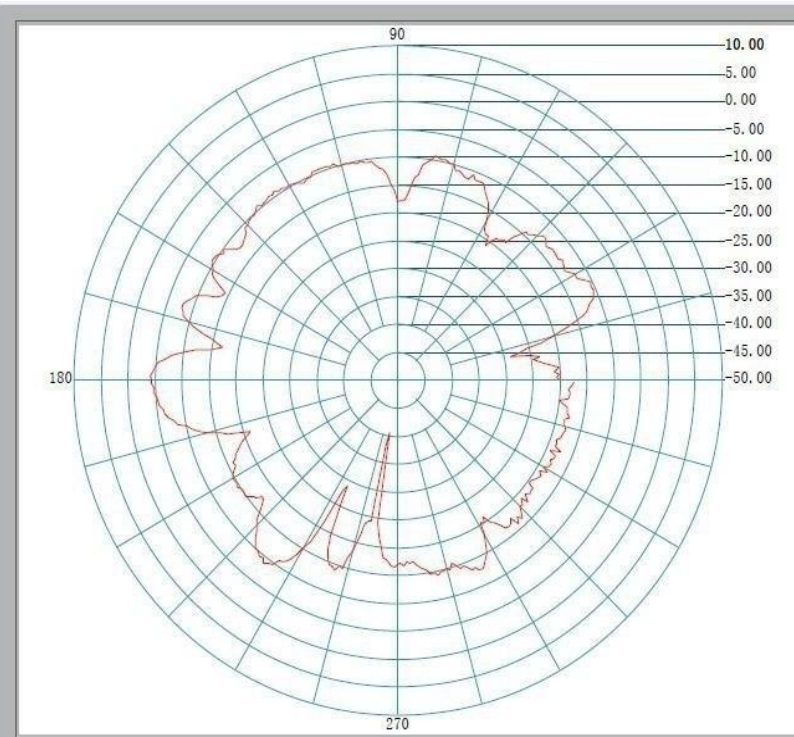
1.2 Vertical



2. Main antenna:

2446MHz

2.1 Horizontal



Remark

Ant. Brand:

Ant. Model:

Test Person:

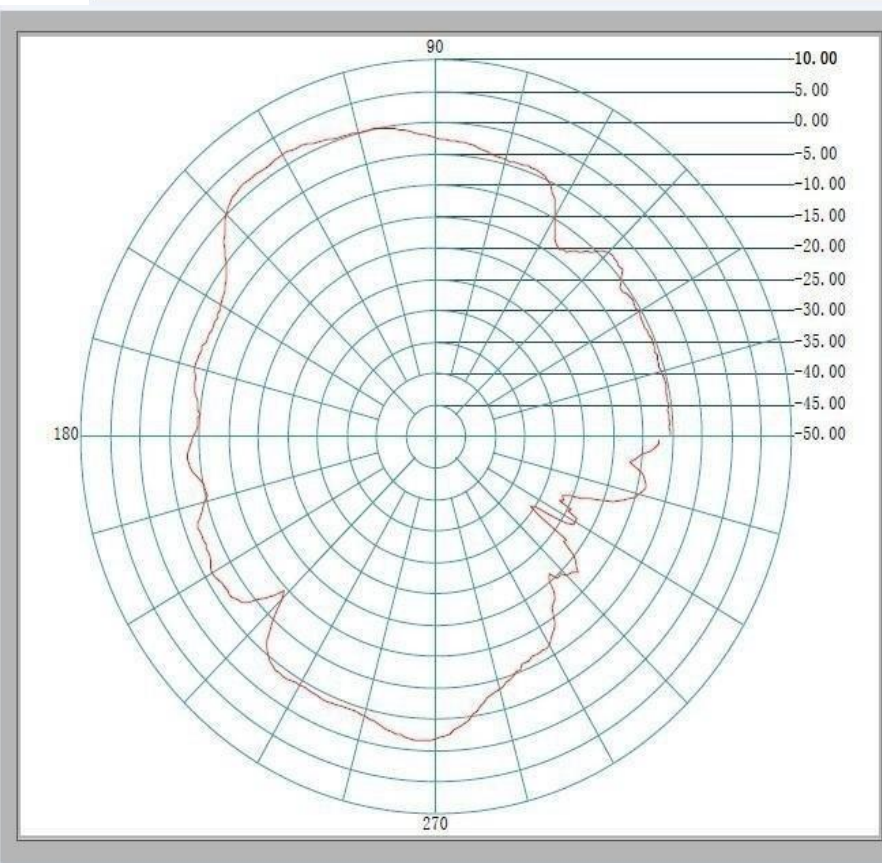
Other Info. :2443MHz

Receive Ant. Polarization
 Vertic

Max. value(dBi)
 -4.23

Average Gain (dBi)
 -12.3

Min. Gain(dBi)
 -40.2



Remark

Ant. Brand:

Ant. Model:

Test Person:

Other Info. :2443MHz

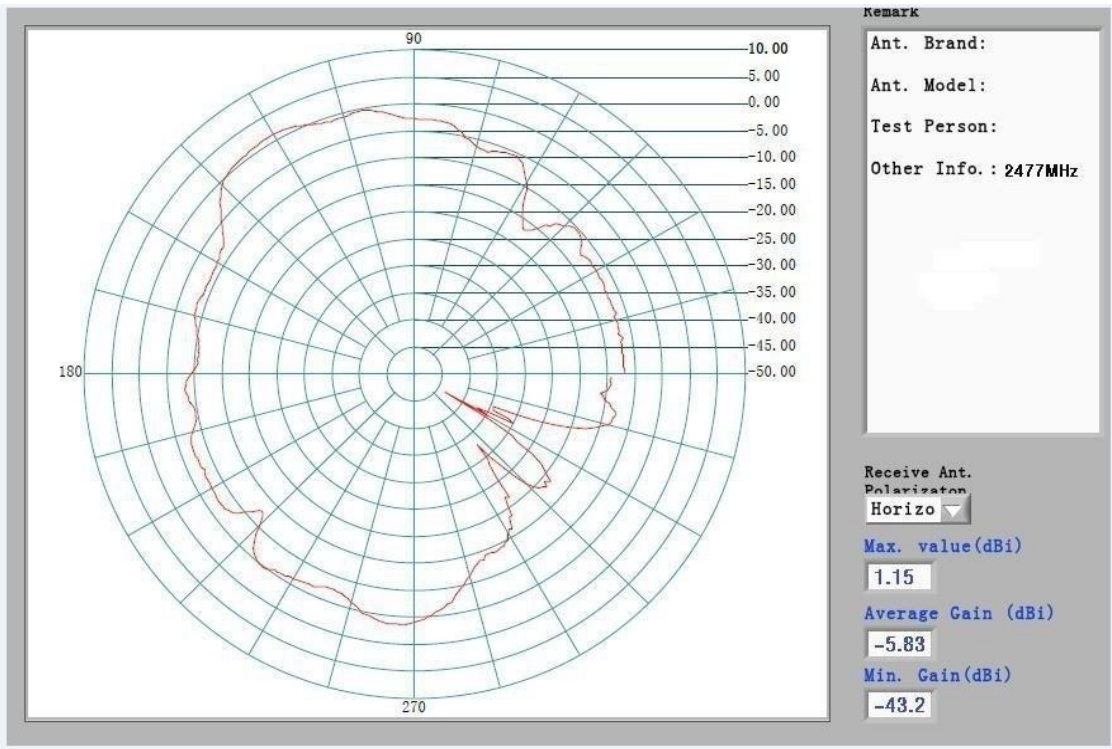
Receive Ant. Polarization
 Horizo

Max. value(dBi)
 1.83

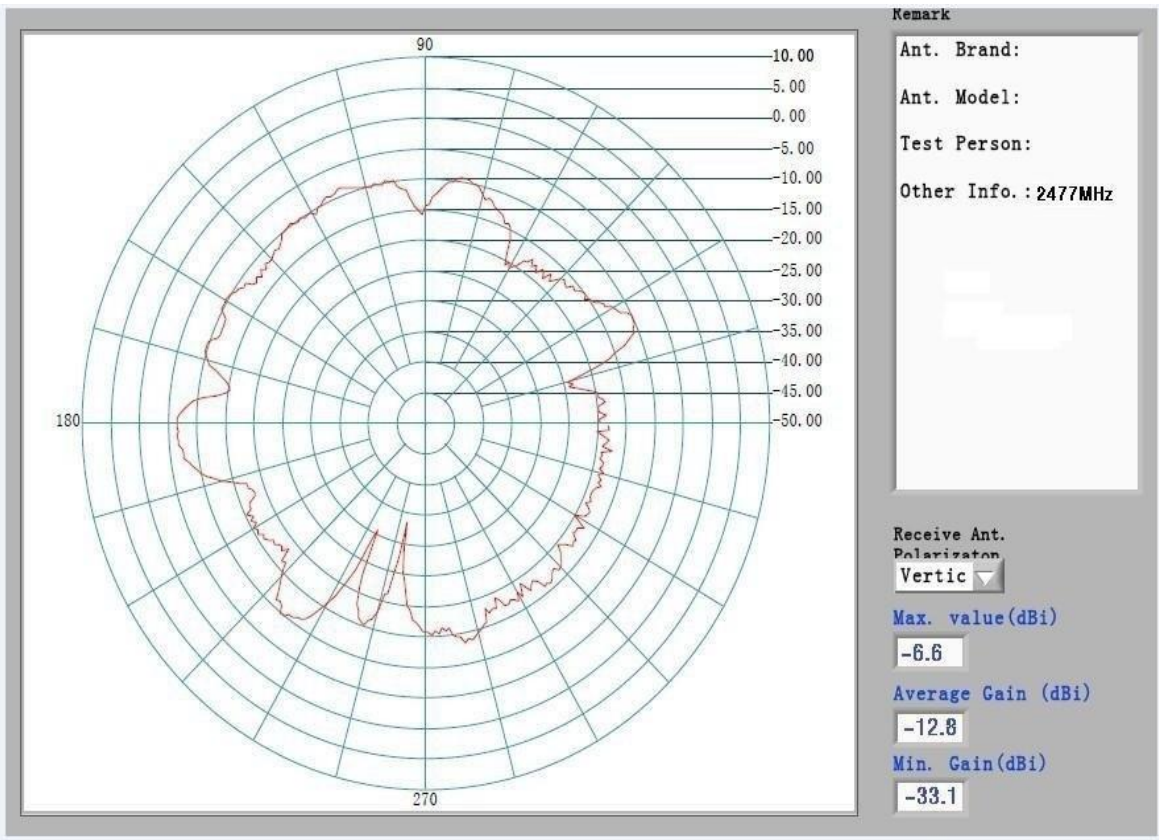
Average Gain (dBi)
 -4.85

Min. Gain(dBi)
 -30.13

- 3. Main antenna: 2478MHz
- 3.1 Horizontal



3.2 Vertical



4.Result

Center Frequency	Maximum Ant Gain
------------------	------------------

2408MHz	H	2.08dBi
	V	-11.5dBi
2446MHz	H	1.83dBi
	V	-4.23dBi
2478MHz	H	1.15dBi
	V	-6.6dBi