



# QMiro-201W / QMiroPlus-201W Quick Installation Guide

快速安裝手冊 빠른 설치 설명서 Guía de Instalación Rápida

クイックインストールガイド Hızlı Kurulum Kılavuzu

คู่มือการติดตั้งแบบเร็ว Gyors telepítési útmutató

Instrukcja szybkiej instalacji Průvodce rychlou in

Kurzinstallationsanleitung 快速安裝指南

Guida di installazione rapida Pika

Краткое руководство DE

Snabbinstallationsg

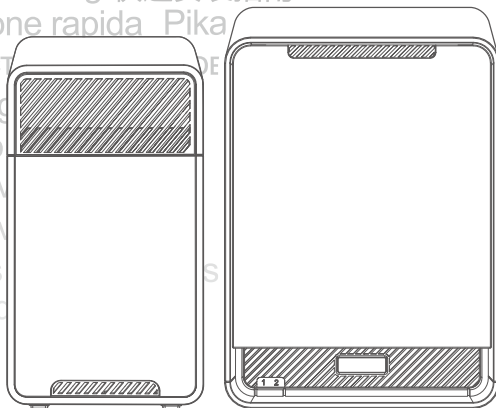
Guia de Instalação

Hurtiginstallasjonsv

Hurtig installationsv

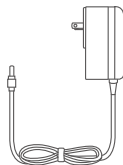
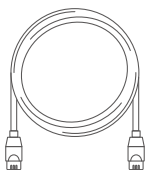
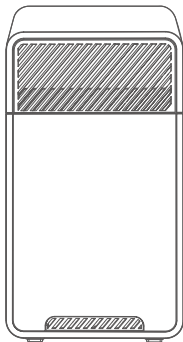
Pika-asennusopas

Snelle Installatiegic

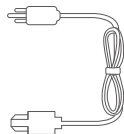
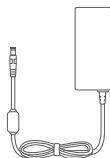
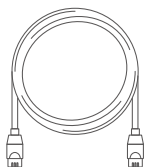
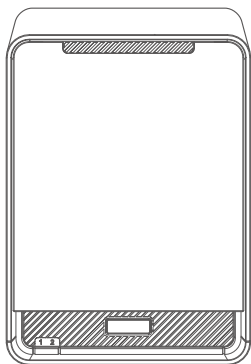




## QMiro-201W

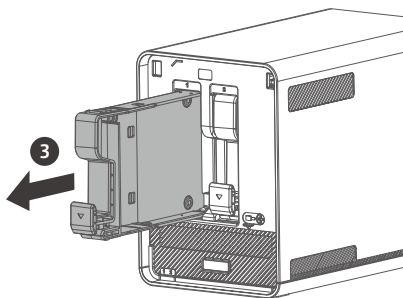
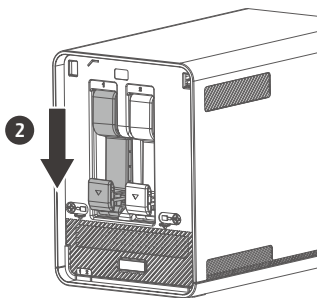
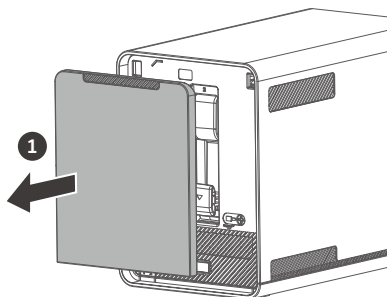
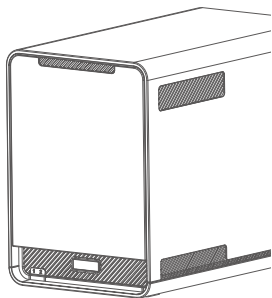


# QMiroPlus-201W



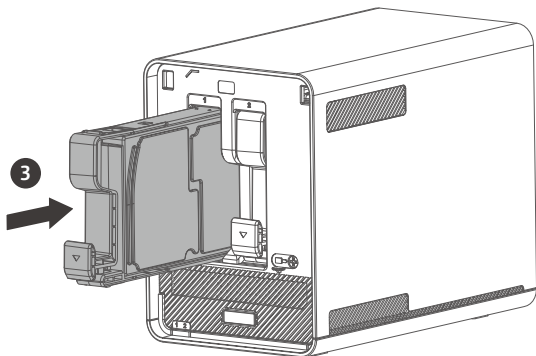
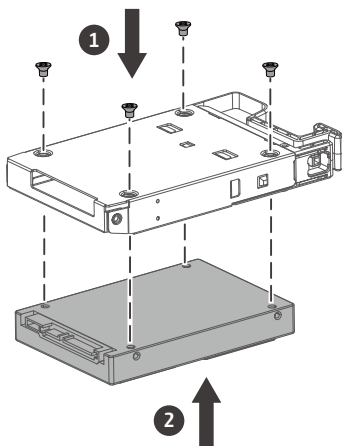
01

## Setup your QMiroPlus-201W



2.5" HDD / SSD

02

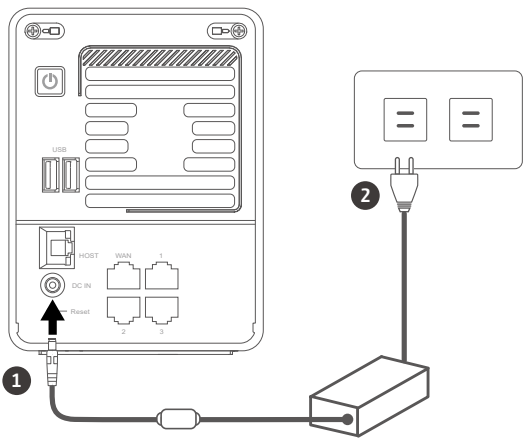




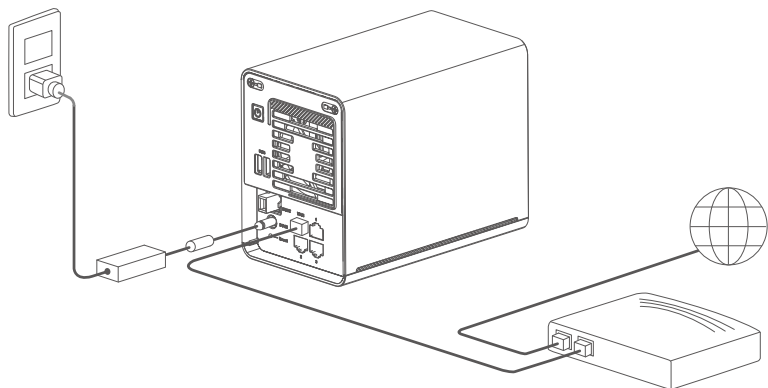
## SSD/HDD

Please visit <https://www.qnap.com/compatibility>  
to check the compatibility list of SSD.

All the drive data will be cleared upon SSD / HDD initialization	en
Alle Laufwerksdaten werden bei SSD/HDD-Initialisierung gelöscht	de
Toutes les données présentes sur les disques seront effacées lors de l'initialisation des SSD/HDD	fr
Tutti i dati presenti verranno cancellati durante l'inizializzazione degli SSD / HDD	it
Todos los datos del disco serán borrados con la inicialización del SSD / HDD	es
Alle gegevens worden gewist tijdens de initialisatie van de SSD / HDD's	nl
All data kommer att raderas när SSD / HDD initieras	sv
SSD / HDD alustaminen poistaa kaikki tiedostot	fi
Alle data på drevet vil blive ryddet efter initialisering af SSD / HDD	da
All data vil bli slettet når SSD / HDD er initialisert	no
Todos os dados do SSD / HDD serão apagados com a inicialização do SSD / HDD	pt
После инициализации SSD/HDD все данные на нем будут удалены	ru
硬碟初始化時，所有資料皆會被清除	zh
所有 SSD / HDD 上的数据都将会被清除	cn
SSD/HDD を初期化すると、すべてのデータが消去されます	ja
SSD / HDD 를 초기화 시키면 드라이브의 모든 데이터가 손실됩니다	ko
ข้อมูลในไดรฟ์จะถูกลบออก เมื่อมีการตั้งค่าเริ่มต้น	th
Kurulum başladığında SSD / HDD disk üzerinde ki tüm veri silinecektir	tr
Minden korábbi adat törlődik az SSD / HDD-ről az első rendszereződés során	hu
Všetchna data na SSD / HDD budou smazána v důsledku inicializace	cs
Podczas instalacji wszystkie dane na dyskach SSD / HDD zostaną usunięte	pl
يتم مسح كل بيانات محرك الأقراص عند تهيئة SSD/ (قرص الحالة الصلبة) HDD (محرك الأقراص الصلبة)	ar

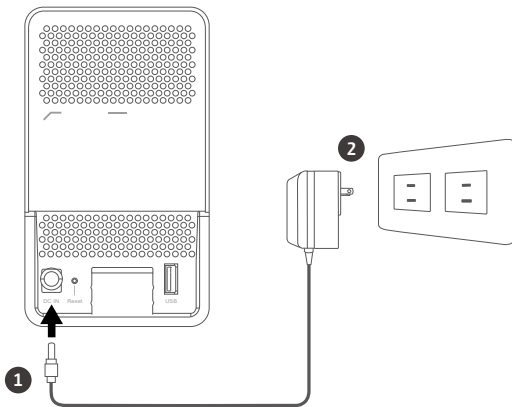


Use RJ45 Cable connecting to ISP modem.





## Setup your QMiro



## Getting Started

Install QNAP QuRouter App, by scanning QR code printed on packaging label, or search for QNAP QuRouter in the Google Play Store or Apple App Store



## Getting Started

Blinking Blue:	Your QMiro/QMiroPlus is ready to setup
Solid Blue	Connection is good
Solid Red	(QMiro only) QMiro is unable to connect to other QMiroPlus, please place your QMiro closer to QMiroPlus
Solid White	System is starting up

## はじめに

パッケージラベルに印刷された QR コードをスキャンするか、Google Play Store または Apple App Store で QNAP QuRouter を検索して、QNAP QuRouter App をインストールします



## はじめに

青（点滅）：	QMiro/QMiroPlus のセットアップ準備が整っています
青：	接続が良好です
赤：	（QMiro のみ）QMiro はその他の QMiroPlus に接続できません。QMiro を QMiroPlus の近くに置いてください
白：	システムが起動中です



Download Center  
[www.qnap.com/download](http://www.qnap.com/download)

- Visit Download Center for our full guides and utilities. ----- en
- Unsere vollständigen Handbücher und Dienstprogramme finden Sie im Download Center. ----- de
- Visitez le Centre de téléchargement pour accéder à nos guides et utilitaires complets. ----- fr
- Per le guide e le utilità complete, visitare il Centro download. ----- it
- Visite el Centro de descargas para ver todas nuestras guías y utilidades. ----- es
- Bezoek het downloadcentrum voor onze uitgebreide gidsen en hulpprogramma's. ----- nl
- Besök Nedladdningscenter för våra fullständiga guider och verktyg. ----- sv
- Katso täydelliset oppaat ja apuohjelmat latauskeskuksestamme. ----- fi
- Besøg Downloadcenter for at se alle vores vejledninger og hjælpværktøjer. ----- da
- Gå til Nedlastingscenter for fullstendige veiledninger og verktøy. ----- no
- Visite a Central de Download para acessar nossos guias e utilitários completos. ----- pt
- Чтобы ознакомиться с полным набором руководств и служебных программ, посетите Центр загрузки. ----- ru
- 請前往下載中心取得完整指南和應用工具。 ----- tw
- 有关完整指南和实用工具，请访问“下载中心”。 ----- cn
- 完全なガイドとユーティリティについては、ダウンロードセンターをご覧ください。 ----- ja
- 다운로드 센터에서 전체 지침 및 유틸리티를 확인하십시오. ----- ko
- กรุณาเข้าสู่ศูนย์การดาวน์โหลดเพื่อดาวน์โหลดคู่มือฉบับสมบูรณ์และโปรแกรมอรรถประโยชน์ต่างๆ ----- th
- Tam klavuzumuz ve yardımcı hizmetlerimiz için İndirme Merkezi'ni ziyaret edin. ----- tr
- A teljes útmutatók és segédprogramok megtekintéséhez keresse fel a Letöltési központot. ----- hu
- Kompletního průvodce a nástroje najdete na webu Centrum stahování. ----- cs
- Odwiedź Centrum pobierania, aby uzyskać kompletne przewodniki i narzędzia. ----- pl
- المساعدة الكاملة للحصول على الأدلة والأدوات تفضل بزيارة مركز التنزيل ----- ar



## FCC Compliance Statement

This device complies with Part 15 of the FCC Rules. Operation is subject to the following two conditions: (1) This device may not cause harmful interference, and (2) This device must accept any interference received, including interference that may cause undesired operation. This equipment has been tested and complies with the Class B digital device limits, pursuant to Part 15 of the FCC Rules. These limits are designed to provide reasonable protection against harmful interference in a residential installation. This equipment generates, uses and can radiate radio frequency energy and, if not installed and used according to the instructions, may cause harmful interference to radio communications. However, there is no guarantee that interference cannot occur in a particular installation. If this equipment does cause harmful interference to radio or television reception, which can be determined by turning the equipment off and on, the user is encouraged to try to correct the interference by taking one of the following actions:

1. Reorient or relocate the receiving antenna.
2. Increase the separation between the equipment and the receiver.
3. Connect the equipment into an outlet on a circuit different from that to which the receiver is connected.
4. Consult the dealer or an experienced radio/TV technician for help.

## FCC Caution

Any changes or modifications not expressly approved by the party responsible for compliance could void the user's authority to operate this equipment. RF Modules installed in this product must not be co-located or operating in conjunction with any other antenna or transmitters, except when installed in accordance with FCC multi-transmitter product guidelines.

## FCC Radiation Exposure Statement

This equipment complies with FCC radiation exposure limits set forth for uncontrolled environments. This equipment must be installed and operated with a minimum distance of 21cm between the radiator/antennas and the general public



This device complies with CE compliance Class B.

## CE Marking

The equipment described in this document faithfully complies with: European Union Radio Equipment Directive (RED) 2014/53/EU. The Declaration of Conformity is provided to customers with other technical documents upon request and is accessible from <https://www.qnap.com/en/contact-us/> to authorized users. Radiation exposure statement This equipment complies with radiation exposure limits set forth for an uncontrolled environment. This equipment should be installed and operated with minimum distance 21 cm between the radiator and your body. For operation within 5.15 ~ 5.35GHz frequency range, it is restricted to indoor environment.

The equipment is stationary, and fixed to be using in conjunction with the termination of end user terminal

Hereby, QNAP Systems, Inc. declares that the radio equipment type QMiro-201W/QMiroPlus-201W is in compliance with Directive 2014/53/EU. The full text of the EU declaration of conformity is available at the following internet address: <https://www.qnap.com>



声明 此为 B 级产品。在生活环境下，它可能带来无线电干扰。如果此类情况发生，用户必须采取必要措施。此产品只用于室内。

## ISED Compliance Statement

Note: Industry Canada has been renamed Innovation, Science, and Economic Development Canada (ISED) following the issue of RSP-100 Issue 11 and DC-01 Issue 06. Equipment certifications previously issued by Industry Canada remain valid and do not require updating. Meaning you may see the names used interchangeably in documentation. The following statement is applicable to ASiR-pRRH which has Innovation, Science and Economic Development (ISED) approval: This device complies with ICES-003 of Industry Canada's license-exempt RSSs. Operation is subject to the following two conditions

1. This device may not cause interference.
2. This device must accept any interference, including interference that may cause undesired operation of the device.

Le présent appareil est conforme à la norme ICES-003 du CNR d'Industrie Canada applicables aux appareils radio exempts de licence. L'exploitation est autorisée aux deux conditions suivantes:

1. L'appareil ne doit pas produire de brouillage.
2. L'utilisateur de l'appareil doit accepter tout brouillage radioélectrique subi, même si le brouillage est susceptible d'en compromettre le fonctionnement.

## Radiation Exposure Statement

This product complies with IC radiation exposure limits set forth for an uncontrolled environment. To comply with RSS 102 RF exposure compliance requirements, a separation distance of at least 21 cm must be maintained between the antenna of this device and all persons.

The device for the band 5150-5350 MHz is only for indoor usage to reduce potential for harmful interference to co-channel mobile satellite systems.

## Déclaration d'exposition aux radiations

Produits sont conformes aux limites IC d'exposition aux rayonnements définies pour un environnement non contrôlé. Produits doivent être installés et utilisés avec distance minimum de 21cm entre le radiateur et votre corps.

Les dispositifs fonctionnant dans la bande 5150-5250 MHz sont réservés uniquement pour une utilisation à l'intérieur afin de réduire les risques de brouillage préjudiciable aux systèmes de satellites mobiles utilisant les mêmes canaux.



※ 付属の電源コードは当該製品専用です。他の機器に使用しないでください。



According to the requirement of the WEEE legislation the following user information is provided to customers for all branded QNAP Electronics products subject to the WEEE directive.

This symbol on the product or on its packaging indicates that this product must not be disposed of with your other household waste. Instead, it is your responsibility to dispose of your waste equipment by handing it over to a designated collection point for the recycling of waste electrical and electronic equipment. The separate collection and recycling of your waste equipment at the time of disposal will help to conserve natural resources and ensure that it is recycled in a manner that protects human health and the environment. For more information about where you can drop off your waste equipment for recycling, please contact your local city office, your household waste disposal service or the shop where you purchased the product.

## RED 2014/53/EU Article 10 Compliance

RED 2014/53/EU requires that for products which could potentially have an issue with a non-harmonized frequency in a specific EU country, the product documentation must list the restrictions, and the packaging must carry a label reflecting that country's code.



AT	BE	BG	HR	CY	CZ	DK
EE	FI	FR	DE	EL	HU	IE
IT	LV	LT	LU	MT	NL	PL
PT	RO	SK	SI	ES	SE	UK

## EU RoHS statement

This equipment complies with the European Union RoHS Directive 2011/65/EU on the restriction of the use of certain hazardous substances in electrical and electronic equipment. The directive applies to the use of lead, mercury, cadmium, hexavalent chromium, polybrominated biphenyls (PBB), and polybrominated diphenyl ethers (PBDE) in electrical and electronic equipment.



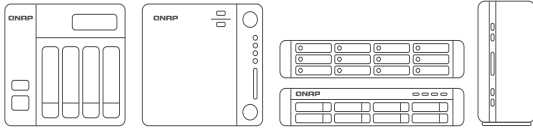
更多關於安全、法規、與環境法令遵循相關的資訊，請參閱以下網址 [www.qnap.com/regulatory/](http://www.qnap.com/regulatory/)。

### 注意！

取得審驗證明之低功率射頻器材，非經核准，公司、商號或使用者均不得擅自變更頻率、加大功率或變更原設計之特性及功能。低功率射頻器材之使用不得影響飛航安全及干擾合法通信；經發現有干擾現象時，應立即停用，並改善至無干擾時方得繼續使用。前述合法通信，指依電信管理法規動作之無線電通信。低功率射頻器材須忍受合法通信或工業、科學及醫療用電波輻射性電機設備之干擾。

使用此產品時應避免影響附近雷達系統之操作。

高增益指向性天線只得應用於固定式點對點系統。



---

---

---

---

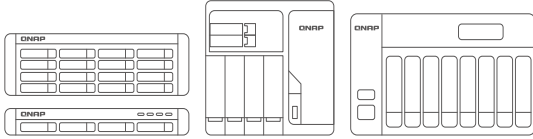
---

---

---

---





---

---

---

---

---

---

---

---



[www.qnap.com](http://www.qnap.com)



[service.qnap.com](http://service.qnap.com)



[download.qnap.com](http://download.qnap.com)

**QNAP**

P/N: 51000-024823-RS