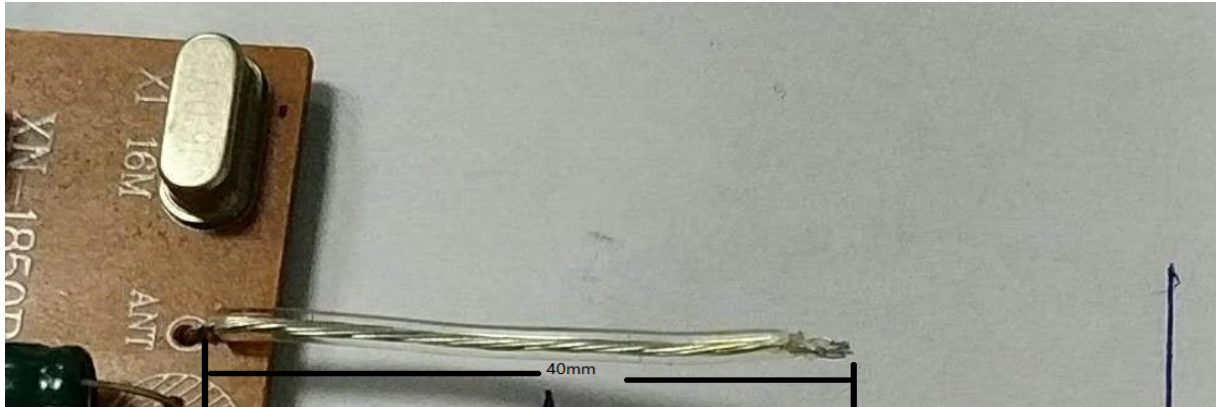


model : 2.4G transparent antenna

client: \_\_\_\_\_

## 7 diagrammatic presentation



Remarks: The specification of the 2.4G transparent antenna is 9-core tinned copper wire with an outer diameter of 1.3MM, transparent color, with a length of 40MM, and the end of the wire is stripped 3MM and tinned. Meet the environmental protection standards: EU EN71(19E), ROHS, PAHS, 6P~16P, Europe and America CPSIA, HR4040.

## Product Specification

### A. Electrical Characteristics

**Frequency 2400MHz ~2500MHz**

**VSWR <3.0**

**Efficiency >30%**

**Impedance 50 Ohm**

**Polarization Line**

**Gain 0DBi**

### B. Material & Mechanical Characteristics

**Material of Radiator Cu**

**Cable Type 1.0 19P transparent**

**Connector Type : NO**

**Dimension**

### C. Environmental

**Operation Temperature - 30 °C ~ + 80 °C**

**Storage Temperature - 30 °C ~ + 85 °C**

## Test Equipment & Conditions

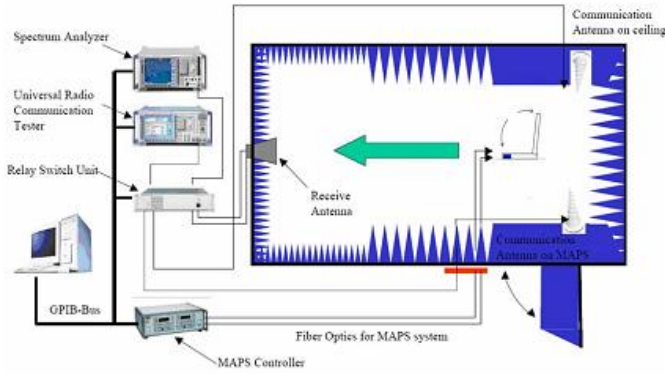
### 1. Network Analyzers :

Agilent 8753D 5071B

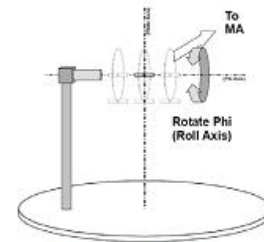
### 2. Communications Test Set:

Agilent E5515C

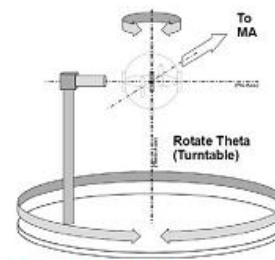
### 3. 3D Chamber Test System Efficiency & Gain



(Testing by 3D anechoic chamber)



Phi axis test

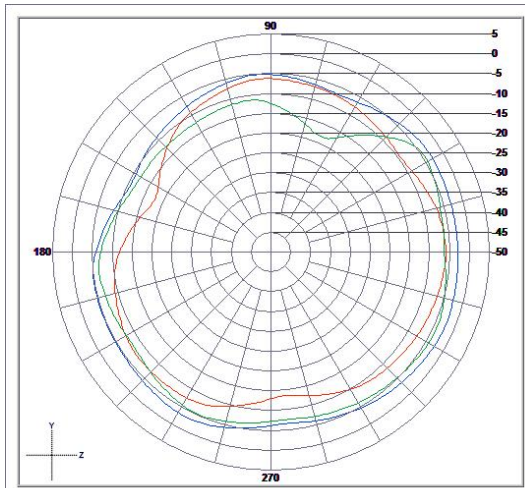


Theta axis test

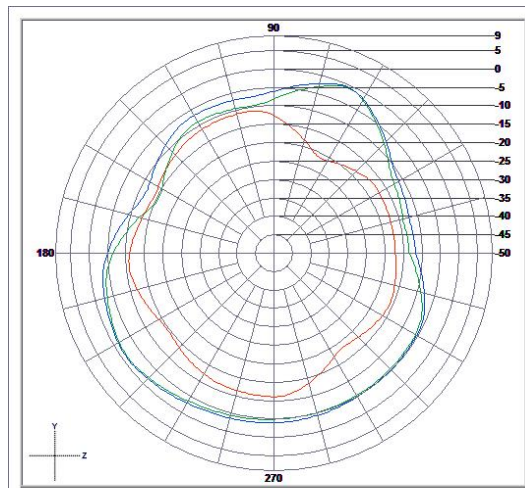
### Efficiency & Gain

- 2.40      -0.00
- 2.440    -0.11
- 2.48      -0.13

### Radiation Pattern:



	Vertical	Horizontal	Total
Avg. Gain	-8.4	-6.99	-4.63
Peak Gain	-5.48	-3.77	-2.17



	Vertical	Horizontal	Total
Avg. Gain	-13.34	-5.06	-4.46
Peak Gain	-10.3	0.09	0.12

