

STEP 1

PREPARE DOOR PER TEMPLATE PROVIDED. INSTALL MORTISE AS SHOWN. GENTLY GUIDE WIRE HARNESS INTO MORTISE POCKET AND OUT THE OVAL HOLE IN THE BACK- DO NOT PULL ON HARNESS.

LEFT HAND LOCK SHOWN

STEP 2

INSTALL TRIM (NOTE- DO NOT USE POWER TOOLS TO INSTALL THE LOCK)

1. Install inside and outside spindles- screw together- do not overtighten
2. Install outside lever assy- put in the 2 mounting posts through holes in the mounting plate
3. Install inside lever assy- fasten with the 2 mounting screws
4. Operate levers to ensure lock functions properly
5. Put on roses- press in place

Optional: Install cylinder, collar and spring and secure with set screw under face plate.

STEP 3

TRIM INSTALLED AND MORTISE CABLE ROUTED.

STEP 4

PLACE READER IN POSITION- GUIDE THE READER CABLE THROUGH THE OVAL HOLE- DO NOT PULL ON THE CABLE. PLACE READER FLUSH TO THE DOOR FACE. INSTALL THE CYLINDER.

STEP 5

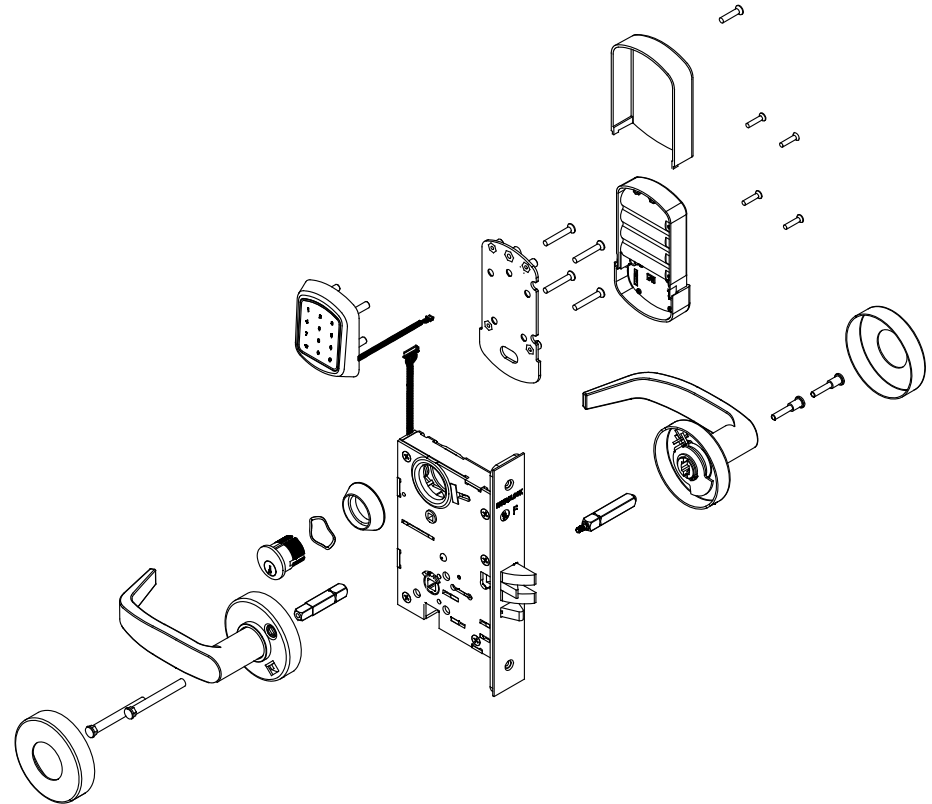
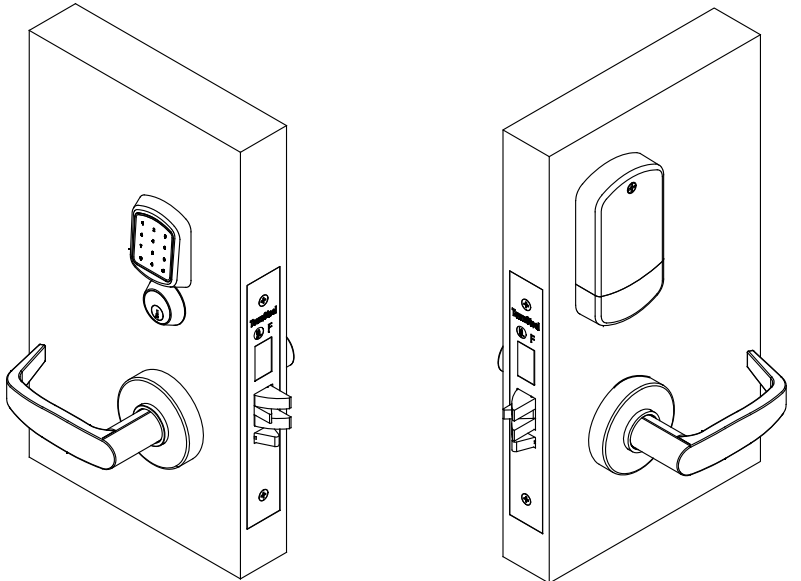
PUT ON BACK PLATE, GUIDE WIRES UNDER THE GUARD & THROUGH THE OVAL SLOT ON THE BACK PLATE. SECURE WITH 4 SCREWS.

PUT ON FACE PLATE AND SECURE WITH 2 SCREWS

STEP 6

PLUG IN MORTISE CABLE AND READER CABLE. PUSH EXCESS WIRE HARNESS INTO THE DOOR CUTOUT. PLACE BATTERY TRAY FLUSH TO DOOR FACE. SECURE WITH 4 MOUNTING SCREWS. PLACE BATTERY COVER OVER BATTERY TRAY AND SECURE WITH 1 SCREW.

CAUTION: MAKE SURE LOCK FUNCTIONS PROPERLY BEFORE LOCKING THE DOOR. SEE PROGRAMMING MANUAL FOR ELECTRONIC OPERATION OF THE LOCK.



<p>TownSteel</p> <p>17901 RAILROAD STREET CITY OF INDUSTRY, CA 91748</p>	DRAFT UNLESS OTHERWISE SPECIFIED: 1° MAX	TOLERANCES UNLESS OTHERWISE SPECIFIED: X.X (METRIC) = ±0.4 X.XX (METRIC) = ±0.15 FRACTIONS = ±.8 ANGLES = ±1/2° © .12 MACHINED SURFACES 125/	MATERIAL: NOTED
	DRAWN BY: SC	B	HEAT TREAT:
	DATE: 8-4-20	THIRD ANGLE	TITLE: e-CRONUS INSTALLATION ASSY INSTRUCTIONS
			PART#: e-CRONUS INST GUIDE

THIS DRAWING AND THE INFORMATION CONTAINED THEREON OR DERIVED THEREFROM ARE THE CONFIDENTIAL PROPERTY OF TOWNSTEEL, INC. IT IS NOT TO BE REPRODUCED, OR DISCLOSED TO OTHERS, AND MAY BE USED ONLY FOR THE PURPOSE OF ENABLING THE PARTY TO WHOM IT HAS BEEN LOANED TO QUOTE ON OR FILL AN ORDER FOR TOWNSTEEL, INC., OR AS MAY BE OTHERWISE AUTHORIZED BY TOWNSTEEL, INC. IN WRITING.