

51000-600 / 51000-601

Wireless Combination Smoke, Heat and Carbon Monoxide Detector Installation Guide

ATTENTION: This manual should be read prior to use and retained for further information.

1. GENERAL INFORMATION

The Wireless Combination Smoke, Heat and Carbon Monoxide Detector is a 2xCR123A battery powered wireless detector intended for use with a compatible wireless alarm system. The detector consists of a photoelectric smoke sensor, thermistor heat sensor and electrochemical carbon monoxide sensor coupled to a

wireless transmitter, which communicates with the control panel. When fire or carbon monoxide is detected, the detector sounds a loud local alarm and the built-in transmitter sends a signal to the control panel. The Wireless Combination Smoke, Heat and Carbon Monoxide Detector contains an integrated fixed 41°F (5°C) temperature freeze sensor that will send a warning signal based on temperature detected. This detector is designed to provide protection with 70-foot spacing capability. The detector can send alarm, tamper and battery condition messages to the system's receiver. Refer to the wireless system's instruction for the maximum number of transmitters that can be supported. The detector has an operational life of 10 years. After 10 years of operation the detector will provide audio visual trouble indication and must be replaced.

WARNING: This product is intended for use in ordinary indoor residential areas. It is not designed to measure compliance with Occupational Safety & Health Administration (OSHA) commercial and industrial standards.

2. DETECTOR OVERVIEW

2.1 DETECTOR FRONT

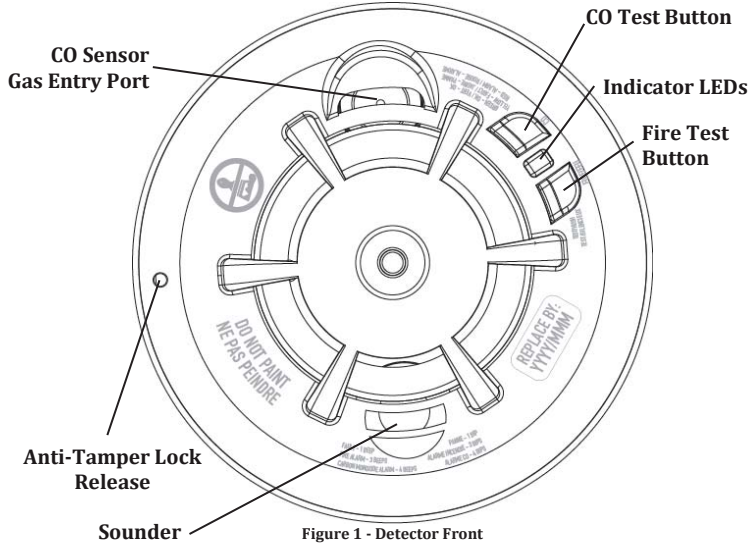


Figure 1 - Detector Front

2.2 DETECTOR BACK

Anti-Tamper Lock Mechanism

Tamper Switch Mechanism

Battery Compartment

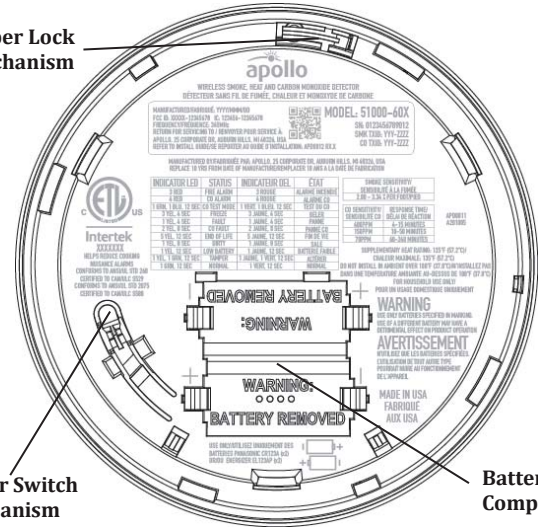


Figure 2 - Detector Back

2.3 DETECTOR MOUNTING BASE

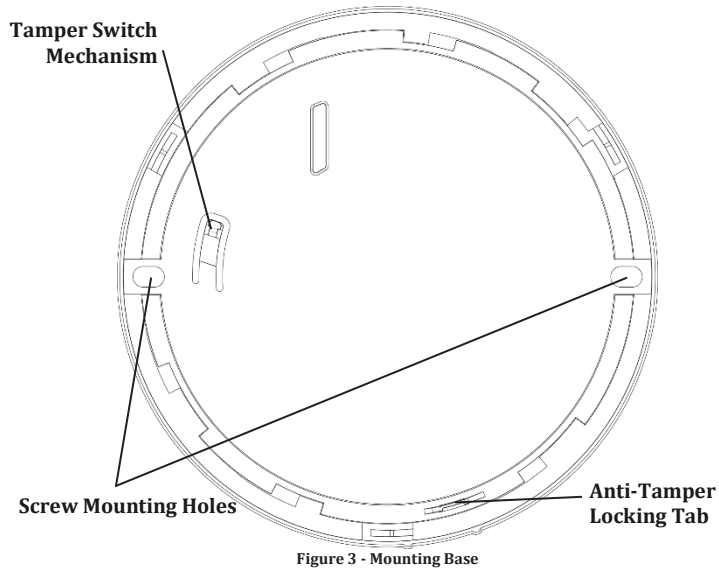


Figure 3 - Mounting Base

3. CONTENTS OF BOX

- Wireless Combination Smoke, Heat and Carbon Monoxide Alarm with mounting base
- Installation guide (APD0812)
- Pack of screws and anchors
- Labels or decals as appropriate
- 2 CR123A Panasonic batteries or 2 EL123AP Energizer batteries

4. OPERATION

The Wireless Combination Smoke, Heat and Carbon Monoxide Detector contains a sounder which generates ANSI S3.41 Temporal-3 pattern when fire is detected or ANSI S3.42 Temporal-4 pattern when Carbon Monoxide is detected. In alarm, a message is also sent to the control panel and the detector's ID is displayed. During an alarm condition, pressing either of the FIRE or CO test/hush buttons will silence the sounder for a short period (see LED and sounder operating modes table).

A multi-color LED indicator provides visual indication for the detector operating modes and states. In general, RED is used to indicate ALARM conditions, YELLOW is used to indicate FAULT conditions and GREEN is used for normal operation (see Detector Status LED & Sounder operating modes table).

4.1 DETECTOR STATUS LED & SOUNDER OPERATING MODES

Status	Description	LEDs	Sounder
Smoke Alarm	Smoke has been detected	3 RED flashes in time with sounder	Temporal-3 BEEP-BEEP-BEEP-pause (press either button to hush for 7 minutes)
Heat Alarm	Heat has been detected	3 RED flashes in time with sounder	Temporal-3 BEEP-BEEP-BEEP-pause
CO Alarm	Carbon Monoxide has been detected	4 RED flashes in time with sounder	Temporal-4 PIP-PIP-PIP-PIP-long pause (press either button to hush for 5 minutes)
CO GO/NO-GO Test	Test mode for checking Carbon Monoxide functionality with test gas	1 GREEN flash followed by 1 BLUE flash every 12 seconds	None
Freeze Warning	Temperature is below 41°F (5°C)	3 YELLOW flashes every 4 seconds	None

General Fault	A sensor has failed or some other fault has occurred	1 YELLOW flash every 4 seconds	Chirp every 48 seconds
CO Fault	The CO cell has reached the end of its useable life or a fault has occurred with the CO detection portion of the detector	2 YELLOW flashes every 8 seconds	Chirp every 48 seconds
End Of Life	The detector has been operational for 10 years and must be replaced	5 YELLOW flashes every 12 seconds	Chirp every 48 seconds
Sensitivity Drift/Dirty Fault	The detector may no longer alarm within the smoke sensitivity limits on the back of the device and must be cleaned	1 YELLOW flash every 8 seconds	Chirp every 48 seconds
Low Battery	The batteries are low and must be replaced	1 YELLOW flash every 12 seconds	Chirp every 48 seconds (press either button to silence for 12 hours)
Fire Test	Fire test button pressed and held to initiate test	3 RED flashes in time with sounder	Temporal-3 BEEP-BEEP-BEEP-pause
CO Test	CO test button pressed and held to initiate test	4 RED flashes in time with sounder	Temporal-4 PIP-PIP-PIP-PIP-long pause

Tamper	The detector has been removed from the base	1 YELLOW flash followed by 1 GREEN flash every 12 seconds	None
Power Up	The detector has had batteries installed and is powered up	1 RED flash followed by 1 YELLOW flash followed by 1 GREEN flash	A single chirp
Normal Operation	The detector is operating normally with no fault or alarm conditions	1 GREEN flash every 12 seconds	None

Table 1 - Detector Status LED & Sounder Operating Modes

4.2 DETECTOR DIRTY FEATURE

When the detector has been contaminated and may no longer be within the marked sensitivity limits the detector will chirp every 48 seconds and flash the YELLOW LED once every 8 seconds. Refer to Section 10.1 for cleaning your detector.

4.3 DETECTOR END OF LIFE

When the detector has reached the end of its 10 year operating life it will chirp every 48 seconds and flash the YELLOW LED 5 times every 12 seconds. The detector must be replaced.

4.4 LOW BATTERY DETECTION

The detector regularly checks the battery condition. If a low battery is detected the detector will chirp every 48 seconds and flash the YELLOW LED once every 8 seconds. The chirp may be silenced for 12 hours by pressing either button (See Section 2.1 Figure 1). The batteries must be replaced using 2 Panasonic CR123A batteries or 2 Energizer EL123AP batteries.

5. BATTERY INSTALLATION AND REPLACEMENT

5.1 FIRST DETECTOR USE

The detector ships with batteries installed and a pull tab to prevent electrical contact while in transit. Remove the pull tab before installing the detector.

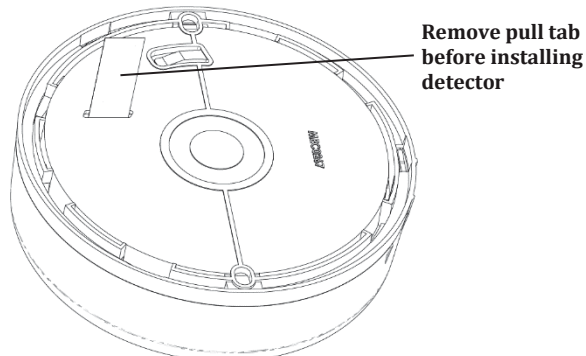


Figure 4 - Pull Tab

5.2 BATTERY REPLACEMENT

To replace the batteries, remove the detector from the mounting base. Remove the batteries from the detector, a flat bladed screwdriver may be used to help remove the batteries, but care must be taken to ensure the batteries are not damaged. Wait a minimum 20 seconds for the detector to power down completely. Install 2 new Panasonic CR123A or Energizer EL123AP batteries, taking care to follow the battery polarity indication on the detector next to the battery compartment. The detector should flash RED, YELLOW, GREEN and chirp 8 seconds after the batteries are installed. Return the detector to the mounting base, the detector should flash GREEN every 12 seconds to indicate normal operation. Test the detector as described in Section 9 FIELD SERVICE TESTS of this installation guide.

WARNING: CONSTANT EXPOSURES TO HIGH OR LOW TEMPERATURES OR HIGH HUMIDITY MAY REDUCE BATTERY LIFE

6. PROGRAMMING TO CONTROL PANEL

Refer to the appropriate compatible control panel programming guide for the proper procedure required to enroll the Wireless Combination Smoke, Heat and Carbon Monoxide Detector into the system.

7. MOUNTING THE DETECTOR

7.1 RECOMMENDED LOCATIONS FOR SMOKE HEAT DETECTORS

According to National Fire Protection Association (NFPA) the major threat from fire in a dwelling unit occurs at night when everyone is asleep. The principal threat to persons in sleeping areas comes from fires in the remainder of the unit; therefore, a smoke detector(s) is best located between the bedroom areas and the rest of the unit. In units with only one bedroom area on one floor, the smoke detector(s) should be located as shown in Figure 5. In dwelling units with more than one bedroom area or with bedrooms on more than one floor, more than one smoke detector is required, as shown in Figure 6.

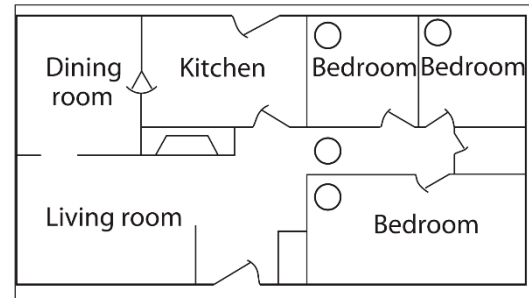


Figure 5 - Location of the detectors in units with only one bedroom area on one floor

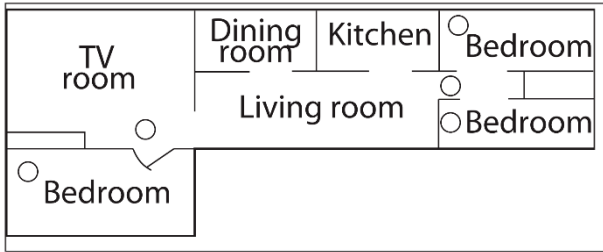


Figure 6 - Location of the detectors in dwelling units with more than one bedroom area or with bedrooms on more than one floor

In addition to smoke detectors outside of the sleeping areas, the device should be installed on each additional story of the dwelling unit, including the basement. These installations are shown in Figure 7. The living area smoke detector should be installed in the living room or near the stairway to the upper level, or in both locations. The basement smoke detector should be installed in close proximity to the stairway leading to the floor above. Where installed on an open-joisted ceiling, the detector should be placed on the bottom of the joists. The detector should be positioned relative to the stairway so as to intercept smoke coming from a fire in the basement before the smoke enters the stairway. Smoke detectors are optional where a door is not provided between living room and recreation room (Figure 8). The smoke from a fire generally rises to the ceiling, spreads out across the ceiling surface, and begins to bank down from the ceiling. The corner where the ceiling and wall meet is an air space into which the smoke could have difficulty penetrating. In most fires, this dead air space measures about 0.1m (4in.) along the ceiling from the corner and about 0.1m (4in.) down the wall. Detectors should not be placed in this dead air space, see Figure 9, Figure 10 and Figure 11.

Where NOT to install the alarm:

- Directly above a sink, cooker, stove or oven
- Do not locate detector within 5 feet (1.5 m) of any cooking appliance

- Next to a door or window that would be affected by drafts i.e. extractor fan or air vent
- Outside
- Do not install in any environment that does not comply with the detector's environmental specifications
- In or below a cupboard
- Where air flow would be obstructed by curtains or furniture
- Where dirt or dust could collect and block the sensor
- Where it could be knocked, damaged, or inadvertently removed

This detector shall not be installed in location where the normal ambient temperature is below 40°F (4.4°C) or where it exceeds 100°F (37.8°C). THIS EQUIPMENT SHOULD BE INSTALLED IN ACCORDANCE WITH NFPA 72: NATIONAL FIRE ALARM AND SIGNALING CODE.

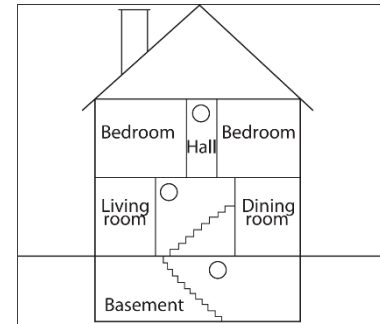


Figure 7 - Detector located on each story

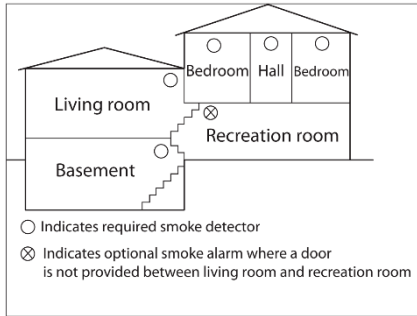


Figure 8 - Split level arrangement

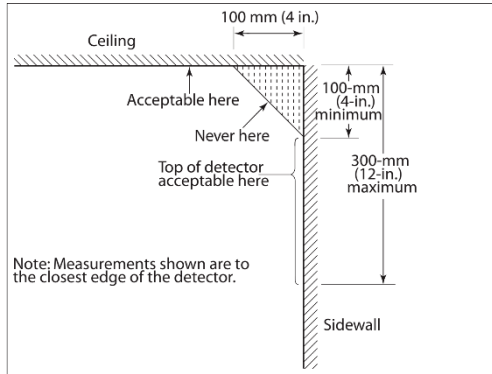


Figure 9 - Example of proper mounting for detectors

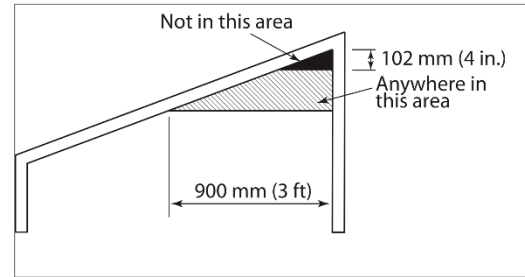


Figure 10 - Example of proper mounting for detectors with sloped ceilings

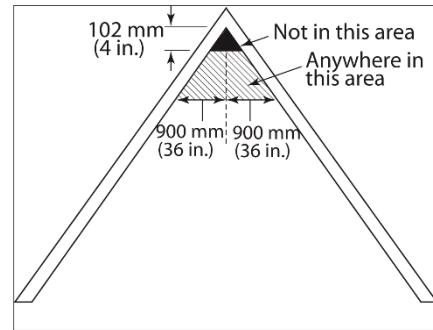


Figure 11 - Example of proper mounting for detectors with peaked ceilings

7.2 RECOMMENDED LOCATIONS FOR CARBON MONOXIDE DETECTORS

Ceiling Mounted - position at least 12" from any wall.

Wall Mounted - position at least 6" from ceiling, but not lower than a light switch.

Where to install, ideally:

- Within 10 feet (3m) of a sleeping area
- Inside the bedroom if it contains a fuel burning appliance
- On every floor of the building
- Ideally, install in any room that contains a fuel burning appliance
- If the appliance or the room is not normally used, such as the boiler room, the detector should be placed just outside the room so the alarm can be heard more easily

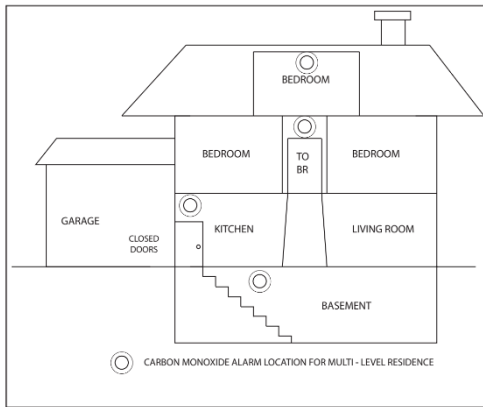


Figure 12 - CO Detector location diagram

Where NOT to install, ideally:

- Directly above a sink, cooker, stove or oven
- Do not locate detector within 5 feet (1.5m) of any cooking appliance

- Next to a door or window that would be affected by drafts i.e. extractor fan or air vent
- Outside
- Do not install in any environment that does not comply with the detector's environmental specifications
- In or below a cupboard
- Where air flow would be obstructed by curtains or furniture
- Where dirt or dust could collect and block the sensor
- Where it could be knocked, damaged, or inadvertently removed

7.3 MOUNTING PROCEDURE

NOTE: The Wireless Combination Smoke, Heat and Carbon Monoxide Detector should only be installed by a competent technician or installer.

NOTE: The Wireless Combination Smoke, Heat and Carbon Monoxide Detector must not be used with a guard.

NOTE: DO NOT attach the detector to removable ceiling panels.

NOTE: Two warning labels are provided with the detector. One should be mounted near the CO detector and the other near a source of fresh air where members of the household will gather if the alarm signal sounds.

CAUTION: Airborne dust particles can enter the detector, remove the detector before beginning construction work or other dust producing activity. Immediately replace detector when dust producing activity has ceased.

WARNING: DO NOT PAINT Detector

Once a suitable location has been identified install the mounting base on the ceiling or wall (if local ordinances permit) using the two screws and anchors provided (Figure 13). Remove the battery pull tab (Section 5.1) and ensure the detector powers up (Section 5.2). Fit the detector on the mounting base (Figure 14) and turn clockwise until the detector clicks into place and the alignment notches are aligned (Figure 15). Test the detector as described in Section 9 FIELD SERVICE TESTS of this installation guide.

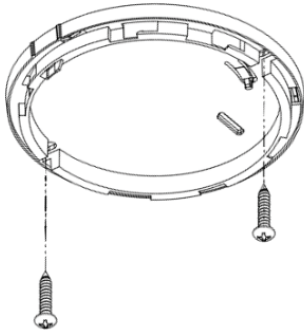


Figure 13 - Installing the base

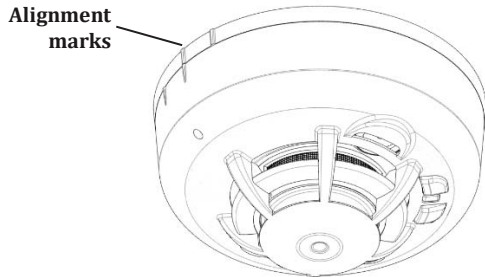


Figure 14 - Detector aligned to base prior to completing installation

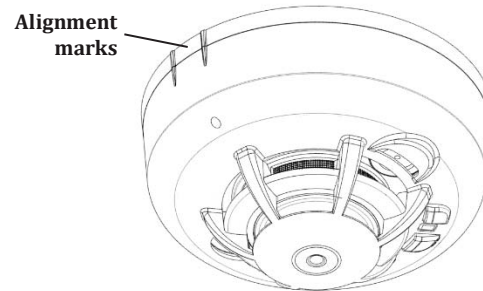


Figure 15 - Detector fully aligned and installed on mounting base

8. TAMPER PROTECTION

The Wireless Combination Smoke, Heat and Carbon Monoxide Detector has a built-in tamper switch which will cause a tamper signal to be transmitted to the control panel if the detector is removed from the mounting base. The detector also includes an anti-tamper feature which prevents the detector being removed from the mounting base. To enable the anti-tamper feature cut the anti-tamper tab on the mounting base (Figure 16 and Figure 17) and install the detector on the mounting base. When the anti-tamper feature has been enabled, to remove the detector from the mounting base, a small screwdriver must be inserted in the anti-tamper release hole (Figure 18) to press on the release lever whilst turning the detector counterclockwise.

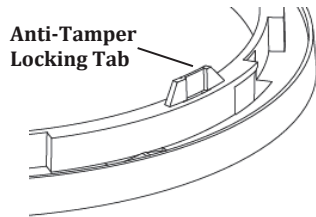


Figure 16 - Anti-Tamper locking tab

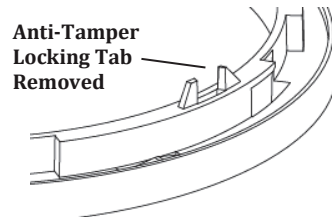


Figure 17 - Anti-Tamper locking tab removed

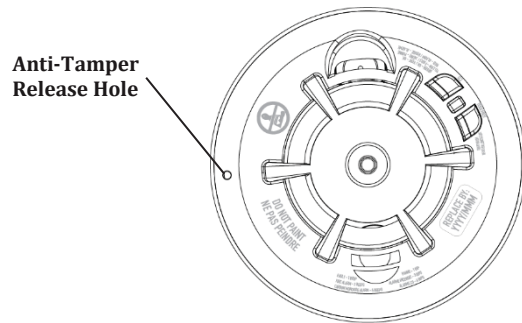


Figure 18 - Anti-Tamper release hole location

9. FIELD SERVICE TESTS

NOTE: Before testing, notify the central station that the detector system is undergoing maintenance in order to prevent unwanted alarms. Testing the detector will activate an alarm and send a signal to the panel. The test functions cannot be used if the detector has a trouble or end-of-life condition. Detectors must be tested after installation and following periodic maintenance.

The detector has two test buttons, one for smoke testing and one for CO testing (See Section 2.1 Figure 1).

9.1 SENSITIVITY CHECK

Examine the detector and observe the LED, if the LED is blinking GREEN once every 12 seconds the detector is operating normally and sensitivity is within the marked sensitivity range on the back of the detector. If the LED is blinking YELLOW every 8 seconds and beeping every 48 seconds it may no longer be within the marked sensitivity range and should be cleaned. Refer to Section 10.1 for cleaning your detector.

9.2 SMOKE ALARM TEST

Press and hold the fire test button (See Section 2.1 Figure 1) for 2 seconds, the detector will sound Temporal-3 and the LED will blink RED along with the sounder. Continue to press and hold the fire test button for up to 12 seconds to ensure the smoke alarm signal is sent to the control panel. Verify the signal was received at the control panel.

9.3 SMOKE ALARM FUNCTIONAL TEST

Using SDi SOLO A10, SDi Smoke Centurion or SDi Smoke Sabre canned smoke products, according to the labeled instructions, spray canned smoke at the detector. The detector will sound Temporal-3, the LED will blink RED along with the sounder and the smoke alarm signal will be sent to the control panel. Verify the signal was received at the control panel.

9.4 HEAT ALARM FUNCTIONAL TEST

Using a hair dryer of 1000-1500 Watts at a distance of approximately 12 inches from the detector, direct hot air at the detector. The detector will sound Temporal-3, the LED will blink RED along with the sounder and the heat alarm signal will be sent to the control panel.

9.5 CO ALARM TEST

Press and hold the CO test button (See Section 2.1 Figure 1) for 2 seconds, the detector will sound Temporal-4 and the LED will blink RED along with the sounder. Continue to press and hold the CO test button for up to 12 seconds to ensure the CO alarm signal will be sent to the control panel. Verify the signal was received at the control panel.

9.6 CO ALARM FUNCTIONAL TEST

After pressing and holding the CO test button for 12 seconds as in the previous step, the detector will enter a CO GO/NO-GO test mode and the LED will blink GREEN and BLUE for 2 minutes. While the detector is in the CO GO/NO-GO test mode, using SDi SOLO C6 CO test gas, spray a small amount of CO test gas directly into the gas entry port (See Section 2.1 Figure 1). The detector will sound Temporal-4, the LED will blink RED along with the sounder and the CO alarm signal will be sent to the control panel. Verify the signal was received at the control panel. The CO test will automatically clear after testing, or after 2 minutes if no CO test gas was used.

9.7 POST TESTING

If the detector fails to activate in any of the tests it should be cleaned, as outlined in Section 10.1 of this manual, and the test should be repeated. If the detector still fails to activate, return for servicing.

Once testing is complete, ensure the detector returns to normal operation mode with the LED blinking GREEN every 12 seconds. If the detector is not in normal operation, refer to Section 4.1 Table 1 - Detector Status LED & Sounder Operating Modes to determine the detector state.

10. MAINTENANCE

TEST ONCE A WEEK

WARNING: USE ONLY BATTERIES SPECIFIED. USE OF DIFFERENT BATTERIES MAY HAVE A DETRIMENTAL EFFECT ON THE DETECTOR.

YOUR DETECTOR SHOULD BE CLEANED AT LEAST ONCE A YEAR.

10.1 CLEANING

Remove the detector from the mounting base. Use a vacuum cleaner to vacuum through the openings around the perimeter of the detector, or alternatively, use compressed air to blow through the openings around the perimeter of the detector. Wipe the detector clean with a damp cloth. Return the detector to the mounting base.

11. FIRE DETECTION

WARNING: PLEASE READ CAREFULLY AND THOROUGHLY

- NFPA 72 states: Fire-warning equipment for residential occupancies are capable of protecting about half of the occupants in potentially fatal fires. Victims are often intimate with the fire, too old or too young, or physically or mentally impaired such that they cannot escape even when warned early enough that escape should be possible. For these people, other strategies such as protection-in-place or assisted escape or rescue would be necessary.
- A battery powered alarm must have a battery of the specified type, in good condition and installed properly.
- Smoke alarms must be tested regularly to make sure the batteries and the alarm circuits are in good operating condition.
- Smoke alarms cannot provide an alarm if smoke does not reach the detector. Therefore, smoke alarms may not sense fires starting in chimneys, walls, on roofs, on the other side of a closed door or on a different floor.
- If the alarm is located outside the sleeping room or on a different floor, it may not wake up a sound sleeper.
- Studies have shown that smoke and heat alarms may not awaken all sleeping individuals, and that it is the responsibility of individuals in the household that are capable of assisting others to provide assistance to those who may not be awakened by the alarm sound or those who may be incapable of safely evacuating the area unassisted.
- The use of alcohol or drugs may also impair one's ability to hear the smoke alarm. For maximum protection, a smoke alarm should be installed in each sleeping area on every level of a home.
- Although smoke alarms can help save lives by providing an early warning of a fire, they are not a substitute for an insurance policy. Homeowners and renters should have adequate insurance to protect their properties.

FAMILY ESCAPE PLAN

According to National Fire Protection Association (NFPA) there often is very little time between the detection of a fire and the time it becomes deadly. This interval can be as little as 1 or 2 minutes. Planning and practicing for fire conditions with a focus on rapid exit from the residence are important. Drills should be held so that all family members know the action to be taken.

SAFETY TIPS

- Make a home escape plan. Draw a map of your home showing all doors and windows. Discuss the plan with everyone in your home.
- Know at least two ways out of every room, if possible. Make sure all doors and windows leading outside open easily.
- Have an outside meeting place (like a tree, light pole or mailbox) a safe distance from the home where everyone should meet.
- Practice your home fire drill at night and during the day with everyone in your home, twice a year.
- Practice using different ways out.
- Teach children how to escape on their own in case you can't help them.
- Close doors behind you as you leave.

IF THE ALARM SOUNDS

- If the smoke alarm sounds, get out and stay out. Never go back inside for people or pets.
- If you have to escape through smoke, get low and go under the smoke to your way out.
- Call the fire department from outside your home. FOR MORE SAFETY INFORMATION SEE THE WEBSITE: www.nfpa.org/education.

12. CARBON MONOXIDE GAS AND ITS DETECTION

CAUTION: This carbon monoxide detector is designed for indoor use only. Do not expose to rain or moisture. Do not knock or drop the detector. Do not open or tamper with the detector as this could cause malfunction. The detector will not protect against the risk of carbon monoxide poisoning if not properly installed.

CAUTION: This device will only indicate the presence of carbon monoxide gas at the sensor. Carbon monoxide gas may be present in other areas. This carbon monoxide alarming device is designed to detect carbon monoxide gas from ANY source of combustion. It is NOT designed to detect smoke, fire or other gases unless the product has been investigated and determined to comply with applicable requirements.

This device should not be installed as a substitute for proper installation, use, and maintenance of fuel burning appliances, including appropriate ventilation and exhaust systems. Carbon monoxide gas is a highly poisonous gas which is released when fuels are burned. It is invisible, has no smell and is therefore impossible to

detect with the human senses. Under normal conditions in a room where fuel burning appliances are well maintained and correctly ventilated, the amount of carbon monoxide released into the room by appliances should not be dangerous.



Conditions that can result in transient CO situations:

1. Excessive spillage or reverse venting of fuel-burning appliances caused by
 - outdoor ambient conditions, such as wind direction and/or velocity, including high gusts of wind, and insufficient draft in the vent pipes,
 - negative pressure differential resulting from the use of exhaust fans,
 - simultaneous operation of several fuel-burning appliances competing for limited internal air,
 - loose vent pipe connections from fuel-fired appliances,
 - obstructions, or unconventional vent pipe designs that can amplify the above situations,
 - poorly designed or maintained chimneys and/or vents,
2. Extended operation of unvented fuel-burning devices (range, oven, fireplace, etc.),
3. Temperature inversions that can trap exhaust gases near the ground,
4. Car idling in an open or closed attached garage, or near a home.

The following symptoms are related to CARBON MONOXIDE POISONING and are to be discussed with All members of the household:

1. **Mild Exposure:** Slight headache, nausea, vomiting, fatigue (often described as "Flulike" symptoms).
2. **Medium Exposure:** Severe throbbing headache, drowsiness, confusion, fast heart rate.
3. **Extreme Exposure:** Unconsciousness, convulsions, cardiorespiratory failure, death.
4. Many cases of reported CARBON MONOXIDE POISONING indicate that while victims are aware they are not well, they become so disoriented they are unable to save themselves by either exiting the building or calling for assistance. Young children and household pets are typically the first affected.

WARNING: IMPORTANT INFORMATION FOR THE USER

Individuals with medical problems may consider using warning devices which provide audible and visual signals for carbon monoxide concentrations under 30 ppm.



WARNING

Actuation of your CO alarm indicates the presence of carbon monoxide (CO) which can KILL YOU.

If alarm signal sounds:

- 1. Operate reset/silence button.**
- 2. Call your emergency services (fire department or 911).**
- 3. Immediately move to fresh air - outdoors or by an open door/window. Do a head count to check that all persons are accounted for. Do not reenter the premises nor move away from the open door/window until the emergency services responders have arrived, the premises have been aired out, and your alarm remains in its normal condition.**
- 4. After following steps 1 - 3, if your alarm reactivates within a 24 hour period, repeat steps 1 - 3 and call a qualified appliance technician (Telephone Number) to investigate for sources of CO from fuel burning equipment and appliances, and inspect for proper operation of this equipment. If problems are identified during this inspection have the equipment serviced immediately. Note any combustion equipment not inspected by the technician and consult the manufacturers' instructions, or contact the manufacturers directly, for more information about CO safety and this equipment. Make sure that motor vehicles are not, and have not been, operating in an attached garage or adjacent to the residence.**

The premises should be well ventilated when household cleaning supplies or similar contaminants are used.

DETECTOR REPLACEMENT

This detector is manufactured with a long-life carbon monoxide sensor. Over time the sensor may lose sensitivity and may need to be replaced with a new carbon monoxide detector. The detector's lifespan is 10 years from the date of

manufacture.

NOTE: When the detector is removed from its base, a tamper message is sent to the central station.

The detector will also cause a trouble condition once it has reached the end of its useful life. If this occurs, it is time to replace the detector.

NOTE: Before replacing the detector, notify the proper authorities that maintenance is being performed and the system will be temporarily out of service. Disable the zone or system undergoing maintenance to prevent any unwanted alarms. Dispose of the detector in accordance with any local regulations.

NOTE: The replacement date that appears on the device is the date beyond which the device may no longer detect carbon monoxide accurately and should be immediately replaced.

CAUTION

It should be noted the installation, operation, testing and maintenance of a carbon monoxide detector is different to smoke detectors. Per NFPA 720 section 5.3.7.2 a CO detector shall not be connected to a zone that signals a fire condition (i.e. smoke detectors zones). Therefore, the carbon monoxide alarm signal must be programmed as a non-fire zone. See the control's installation instructions for the appropriate carbon monoxide zone type to be programmed.

13. SPECIFICATIONS

- Transmitter Frequency: 345.000 MHz (crystal controlled)
- Dimensions: Ø 5" x 2.75" high (Ø 125mm x 70mm high)
- Weight (including battery): 10.5 oz (300 g)
- Color: White
- Audible Signal (ANSI Temporal 3/Temporal 4): 85dBA min. in alarm (at 10ft / 3m)
- Sensitivity: 2.00 – 3.34%/foot obscuration
- Operating Temperature: 40°F to 100°F (4.4°C to 37.8°C)
- Operating Humidity: 15%-90% RH Non-Condensing
- Supplementary heat rating: 135°F
- Supplementary heat spacing rating: 70ft

- Battery (included): Two (2) Panasonic CR123A or Two (2) Energizer EL123AP Lithium Batteries
- Regulatory Listing: Intertek ETL listed to UL 268 with supplementary heat detection, UL 2075, ULC S529 with supplementary heat detection and ULCS588 standards
- Warranty: Two (2) years
- Included Accessories: Mounting Hardware Package

14. COMPATIBLE RF EQUIPMENT

14.1 MODEL 51000-600

Control Unit: Vivint CP04 (VS-SH2000-000) Doc 77-600022-001 – Rev A.2
Max Separation Range: 100 ft

14.2 MODEL 51000-601

Control Unit: Honeywell Lyric LCP500-L Doc 800-18078H 11/15 Rev. H
Max Separation Range: 100 ft

In typical single level and multilevel dwelling units and apartment buildings having similar smoke alarm systems there is a possibility that signals sent by wireless sensors may be blocked or reflected by metal before they reach the alarm Control Panel, even if the signal path has been recently checked during a weekly test. Blockage can occur if a metal object has been moved into the sensor's signal path.

15. REGULATORY INFORMATION NOTICE

Unauthorized changes or modifications could void the user's authority to operate the equipment.

This device complies with Part 15 of the FCC Rules and Industry Canada license-exempt RSS standard(s). Operation is subject to the following two conditions: (1) This device may not cause harmful interference, and (2) this device must accept any interference received, including interference that may cause undesired operation of the device. This equipment has been tested and found to comply with the limits for a Class B digital device, pursuant to Part 15 of FCC Rules. These limits are designed to provide reasonable protection against harmful interference in a residential installation. This equipment generates, uses and can radiate radio frequency energy and if not installed and used in accordance with the instructions,

may cause harmful interference to radio communications. However, there is no guarantee that interference will not occur in a particular installation. If this equipment does cause harmful interference to radio or television reception, which can be determined by turning the equipment off and on, the user is encouraged to try to correct the interference by one or more of the following measures:

- Reorient or relocate the receiving antenna.
- Increase the separation between the equipment and the receiver
- Connect the equipment into an outlet on a circuit different from that to which the receiver is connected.

• Consult the dealer or an experienced radio/television technician for help
"For your information, The National Fire Alarm Code, NFPA 72, reads as follows: "11.5.1 Required Detection."

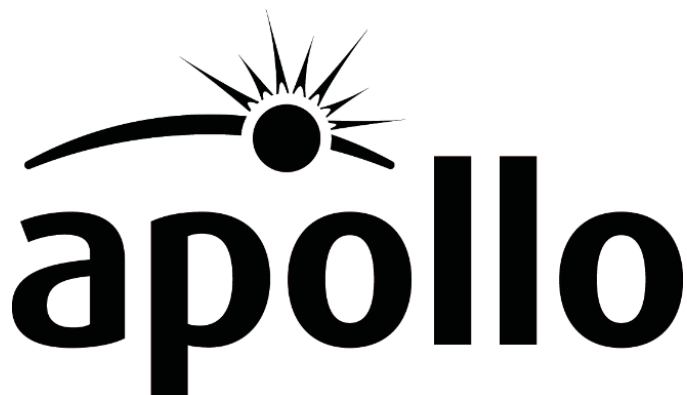
"Where required by applicable laws, codes, or standards for a specific type of occupancy, approved single- and multiple-station smoke alarms shall be installed as follows:

1. In a sleeping rooms and guest rooms
2. Outside of each separate dwelling unit sleeping area, within 6.4 m (21 ft) of any door to a sleeping room, the distance measured along a path of travel
3. On every level of a dwelling unit, including basements
4. On every level of a residential board and care occupancy (small facility), including basements and excluding crawl spaces and unfinished attics
5. In the living area(s) of a guest suite
6. In the living area(s) of a residential board and care occupancy.

(Reprinted with permission from NFPA 72®, National Fire Alarm Code Copyright © 2007 National Fire Protection Association, Quincy, MA 02269.

This reprinted material is not the complete and official position of the National Fire Protection Association, on the referenced subject which is represented only by the standard in its entirety.)

(National Fire Alarm Code® and NFPA 72® are registered trademarks of the National Fire Protection Association, Inc., Quincy, MA 02269.)



51000-600 / 51000-601

Détecteur combiné sans fil de fumée, chaleur et oxyde de carbone Guide d'installation

ATTENTION : Le présent manuel doit être lu avant utilisation et conservé pour référence ultérieure.

1. INFORMATIONS GÉNÉRALES

Le détecteur combiné sans fil de fumée, chaleur et oxyde de carbone fonctionne avec 2 piles CR123A et est conçu pour être utilisé avec un système d'alarme sans fil compatible.

Le détecteur se compose d'un capteur de fumée photoélectrique, d'un thermistor capteur de chaleur et d'un capteur électrochimique d'oxyde de carbone couplés à un émetteur sans fil, qui communique avec la centrale. En cas de détection de feu ou d'oxyde de carbone, le détecteur émet une alarme locale bruyante et l'émetteur intégré envoie un signal à la centrale. Le détecteur combiné sans fil de fumée, chaleur et oxyde de carbone comporte un capteur intégré de gel à température fixe de 5 °C (41 °F) qui envoie un signal d'avertissement basé sur la température détectée. Le présent détecteur est conçu pour fournir une protection sur une distance de 70 pieds. Le détecteur peut envoyer au récepteur du système des messages d'alarme, d'altération et d'état des piles. Reportez-vous aux instructions du système sans fil pour connaître le nombre maximal d'émetteurs pouvant être pris en charge. Le détecteur a une durée de vie de 10 ans. Après 10 ans de service, le détecteur fournit une indication visuelle de dysfonction et doit être remplacé.

AVERTISSEMENT : Le présent produit est destiné à être utilisé dans les zones résidentielles d'intérieur ordinaires. Il n'est pas conçu pour mesurer la conformité aux normes commerciales et industrielles de l'Occupational Safety & Health Administration (OSHA).

2.3 SOCLE DE MONTAGE DU DÉTECTEUR

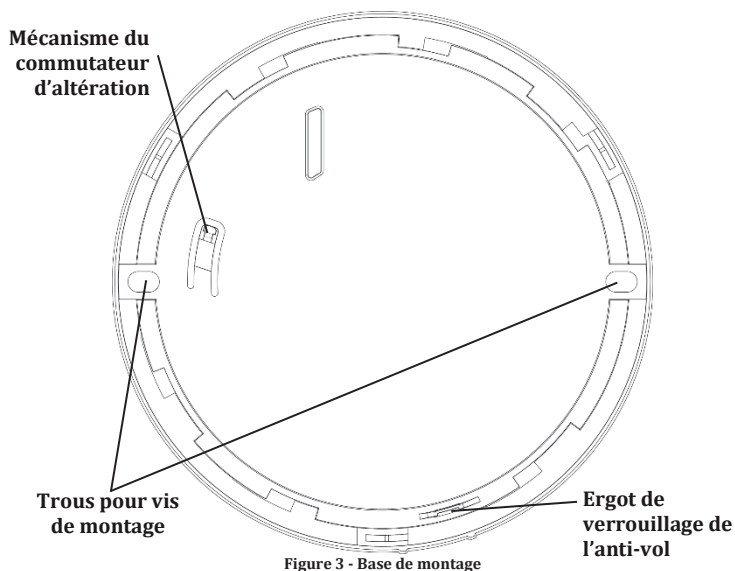


Figure 3 - Base de montage

3 CONTENU DE L'EMBALLAGE

- Alarme combinée sans fil pour fumée, chaleur et oxyde de carbone avec socle de montage
- Guide d'installation (APD0812)
- Lot de vis et d'ancrages
- Étiquettes ou autocollants selon le cas
- 2 piles Panasonic CR123A ou 2 piles Energizer EL123AP

4 FONCTIONNEMENT

Le détecteur combiné sans fil de fumée, chaleur et oxyde de carbone comporte une sirène qui génère le modèle ANSI S3.41 Temporal-3 lorsqu'un feu est détecté ou le modèle ANSI S3.42 Temporal-4 lorsque de l'oxyde de carbone est détecté. En cas d'alarme, un message est également envoyé à la centrale et l'ID du détecteur s'affiche. Au cours d'une alarme, appuyer sur l'un des boutons de test/sourdine FEU ou CO pour neutraliser la sirène pendant une courte période (voir le tableau des modes de fonctionnement de la DEL et de la sirène). Un voyant DEL multicolore fournit une indication visuelle des modes et états de fonctionnement du détecteur. En général, ROUGE est utilisé pour indiquer une ALARME, JAUNE est utilisé pour indiquer un DÉFAUT et VERT est utilisé pour un fonctionnement normal (voir le tableau des modes de fonctionnement de la DEL d'état du détecteur et de la sirène).

4.1 MODE DE FONCTIONNEMENT DE LA DEL D'ÉTAT DU DÉTECTEUR ET DE LA SIRÈNE

État	Description	DEL	Sirène
Détecteur de fumée	De la fumée a été détectée	3 flash ROUGE en même temps que la sirène	3-fois BIP-BIP-BIP-pause (appuyer sur l'un des boutons pour mettre en sourdine pendant 7 minutes)
Alarme de chaleur	De la chaleur a été détectée	3 flash ROUGE en même temps que la sirène	3-fois BIP-BIP-BIP-pause
Alarme de CO	De l'oxyde de carbone a été détecté	4 flash ROUGE en même temps que la sirène	4-fois PIP-PIP-PIP-PIP-pause longue (appuyer sur l'un des boutons pour mettre en sourdine pendant 5 minutes)
Test GO/NO-GO de CO	Mode de test pour vérifier la fonctionnalité de l'oxyde de carbone avec un gaz de test	1 flash VERT suivi d'un flash BLEU toutes les 12 secondes	Aucune

Avertissement de gel	La température est inférieure à 5 °C (41 °F)	3 flash JAUNE toutes les 4 secondes	Aucune
Défaut général	Un capteur est défectueux ou un autre défaut s'est produit	1 flash JAUNE toutes les 4 secondes	Se répète toutes les 48 secondes
Défaut du CO	La cellule CO a atteint la fin de sa vie ou un défaut s'est produit dans la partie de détection de CO du détecteur	2 flash JAUNE toutes les 8 secondes	Se répète toutes les 48 secondes
Fin de vie	Le détecteur a fonctionné pendant 10 ans et doit être remplacé	5 flash JAUNE toutes les 12 secondes	Se répète toutes les 48 secondes
Défaut de dérive de sensibilité et de saleté	Il se peut que le détecteur ne déclenche plus d'alarme dans les limites de sensibilité à la fumée au dos de l'appareil et qu'il doive être nettoyé	1 flash JAUNE toutes les 8 secondes	Se répète toutes les 48 secondes
Piles faibles	Les piles sont faibles et doivent être remplacées	1 flash JAUNE toutes les 12 secondes	Pépie toutes les 48 secondes (appuyer sur l'un des boutons pour mettre en sourdine pendant 12 heures)
Test de feu	Appuyer sans relâcher sur le bouton de test de feu pour lancer le test	3 flash ROUGE en même temps que la sirène	3-fois BIP-BIP-pause

Test de CO	Appuyer sur le bouton de test de CO pour lancer le test	4 flash ROUGE en même temps que la sirène	4-fois PIP-PIP-PIP-pause longue
Altération	Le détecteur a été retiré du socle	1 flash VERT suivi d'un flash BLEU toutes les 12 secondes	Aucune
Mise sous tension	Les piles ont été installées et le détecteur est sous tension	1 flash ROUGE suivi d'un flash JAUNE puis d'un flash VERT	Un seul bip
Fonctionnement normal.	Le détecteur fonctionne normalement sans défaut ni alarme	1 flash VERT toutes les 12 secondes	Aucune

Tableau 1 - Mode de fonctionnement de la DEL d'état et de la sirène du détecteur

4.2 FONCTION DE DÉTECTEUR SALE

Lorsque le détecteur a été contaminé et peut ne plus se trouver dans les limites de sensibilité indiquées, il émet un bip toutes les 48 secondes et flash la DEL JAUNE une fois toutes les 8 secondes. Se reporter à la section 10.1 pour le nettoyage du détecteur.

4.3 FIN DE VIE DU DÉTECTEUR

Lorsque le détecteur a atteint la fin de sa durée de vie de 10 ans, il émet un bip toutes les 48 secondes et flash la DEL JAUNE 5 fois toutes les 12 secondes. Le détecteur doit être remplacé.

4.4 DÉTECTION DE PILE FAIBLE

Le détecteur vérifie régulièrement l'état des piles. Si une pile faible est détectée, le détecteur émet un bip toutes les 48 secondes et flash la DEL JAUNE toutes les 8 secondes. Le bruit peut être mis en sourdine pendant 12 heures en appuyant sur l'un des boutons (voir Section 2.1 Figure 1). Les piles doivent être remplacées à l'aide de 2 piles Panasonic CR123A ou de 2 piles Energizer EL123AP.

5. INSTALLATION ET REMPLACEMENT DES PILES

5.1 PREMIÈRE UTILISATION DU DÉTECTEUR

Le détecteur est livré avec les piles installées et une languette permettant d'éviter tout contact électrique pendant le transport. Retirer la languette avant d'installer le détecteur.

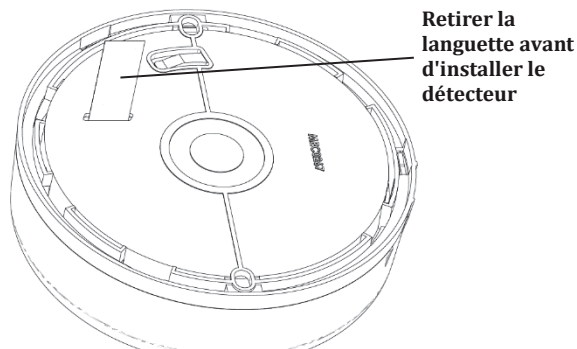


Figure 4 - Languette

5.2 REMPLACEMENT DES PILES

Pour remplacer les piles, retirer le détecteur du socle de montage. Retirer les piles du détecteur. Un tournevis à lame plate peut être utilisé pour aider à retirer les piles, mais veiller à ne pas les endommager. Attendez au moins 20 secondes pour que le détecteur se mette complètement hors tension. Installer 2 nouvelles piles Panasonic CR123A ou Energizer EL123AP, en prenant soin de respecter l'indication de polarité des piles qui se trouve sur le détecteur à côté du compartiment des piles. Le détecteur flash ROUGE, JAUNE, VERT et émet un bip pendant 8 secondes après l'installation des piles. Replacer le détecteur sur le socle de montage. Le détecteur flash VERT toutes les 12 secondes pour indiquer un fonctionnement normal. Tester le détecteur comme décrit dans la Section 9 TESTS D'ENTRETIEN SUR LE TERRAIN du présent guide d'installation.

AVERTISSEMENT : UNE EXPOSITION CONSTANTE À DES TEMPÉRATURES ÉLEVÉES OU BASSES OU À UNE HUMIDITÉ ÉLEVÉE PEUT RÉDUIRE LA DURÉE DE VIE DES PILES

6. PROGRAMMATION DE LA CENTRALE

Se reporter au guide de programmation de la centrale compatible appropriée afin de connaître la procédure à suivre requise pour inclure le détecteur combiné sans fil de fumée, chaleur et oxyde de carbone dans le système.

7. MONTAGE DU DÉTECTEUR

7.1 EMBLEMES RECOMMANDÉS POUR LES DÉTECTEURS DE CHALEUR ET DE FUMÉE

Selon la National Fire protection Association (NFPA), la principale menace d'incendie dans une habitation se produit la nuit lorsque tout le monde est endormi. La principale menace pour les personnes dans les chambres à coucher provient du feu dans le reste de l'habitation; par conséquent, un ou plusieurs détecteurs de fumée sont situés au mieux entre les chambres à coucher et le reste de l'habitation. Dans les habitations ne comportant qu'un ensemble de chambres à coucher un étage, le ou les détecteurs de fumée doivent être situés comme illustré sur la Figure 5. Dans les habitations comportant plusieurs chambres à coucher ou avec des chambres à coucher sur plusieurs étages, plusieurs détecteurs de fumée sont requis, comme illustré sur la Figure 6.

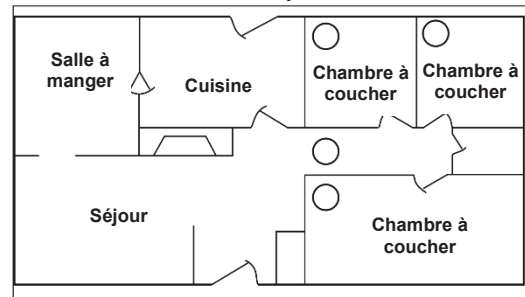


Figure 5 - Emplacement des détecteurs dans les habitations comportant une seule chambre à coucher sur un étage

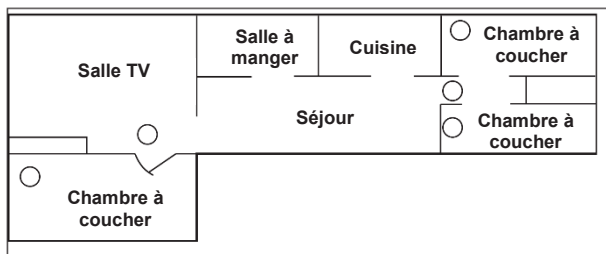


Figure 6 - Emplacement des détecteurs dans les habitations comportant plusieurs ensembles de chambres à coucher ou plusieurs chambres à coucher sur plusieurs étages

En plus des détecteurs de fumée à l'extérieur des chambres à coucher, l'appareil doit être installé sur chaque autre étage de l'habitation, y compris le sous-sol. Ces installations sont illustrées sur la Figure 7. Le détecteur de fumée de la salle de séjour doit être installé dans la salle de séjour ou près de l'escalier menant au niveau supérieur, ou dans ces deux endroits. Le détecteur de fumée du sous-sol doit être installé à proximité de l'escalier menant à l'étage supérieur. Lorsqu'il est installé sur un plafond à solives ouvertes, le détecteur doit être placé en bas des solives. Le détecteur doit être positionné par rapport à l'escalier de manière à intercepter la fumée provenant d'un feu dans le sous-sol avant que la fumée ne pénètre dans l'escalier.

Les détecteurs de fumée sont facultatifs lorsqu'une porte n'est pas fournie entre la salle de séjour et la salle de loisirs (Figure 8). La fumée d'un feu s'élève généralement au plafond, s'étend sur la surface du plafond et commence à s'abaisser du plafond. Le coin entre le plafond et le mur est un espace d'air dans lequel la fumée pourrait avoir de la difficulté à pénétrer. Dans la plupart des incendies, cet espace d'air mort mesure environ 0,1 m (4 po) le long du plafond à partir du coin et environ 0,1m (4 po) le long du mur. Les détecteurs ne doivent pas être placés dans cet espace d'air mort, voir Figure 9, Figure 10 et Figure 11.

Où NE PAS installer l'alarme :

- Directement au-dessus d'un évier, d'un réchaud, d'une cuisinière ou d'un four

- Ne pas placer le détecteur à moins de 1,5 m (5 pieds) de n'importe quel appareil de cuisson
- Près d'une porte ou d'une fenêtre qui serait affectée par des courants d'air, par exemple un ventilateur d'extraction ou un évent d'aération
- À l'extérieur
- Ne pas installer dans un environnement non conforme aux caractéristiques environnementales du détecteur
- Dans ou en dessous d'un placard
- Là où la circulation d'air serait obstruée par des rideaux ou des meubles
- Là où de la saleté ou de la poussière pourrait s'accumuler et bloquer le capteur
- Là où il pourrait être heurté, endommagé ou retiré par inadvertance

Le détecteur ne doit pas être installé dans un endroit où la température ambiante normale est inférieure à 4,4 °C (40 °F) ou supérieure à 37,8 °C (100 °F).
LE PRÉSENT ÉQUIPEMENT DOIT ÊTRE INSTALLÉ CONFORMÉMENT À LA NORME NFPA 72 : CODE NATIONAL D'ALARME ET DE SIGNALISATION D'INCENDIE.

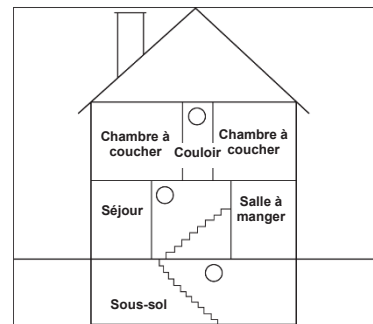


Figure 7 - Détecteur situé sur chaque étage

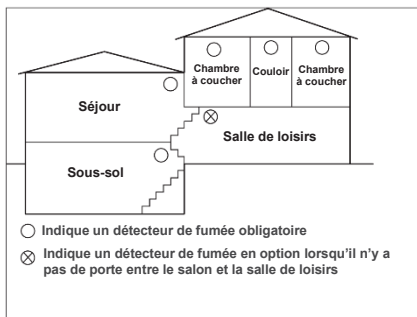


Figure 8 - Arrangement en duplex

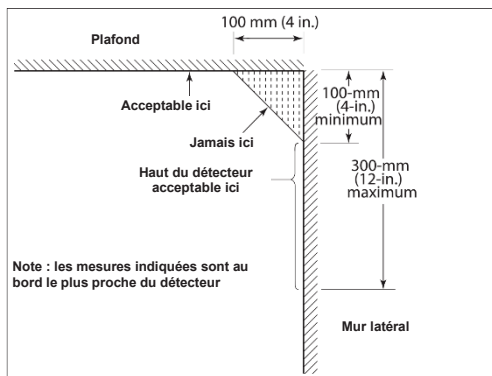


Figure 9 - Exemple de montage correct des détecteurs

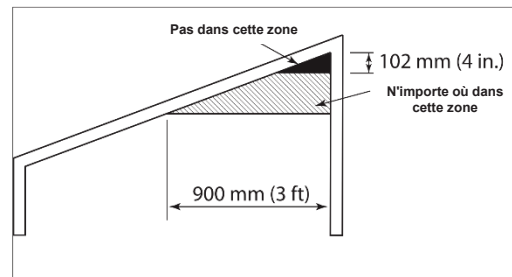


Figure 10 - Exemple de montage correct pour les détecteurs avec plafonds mansardés

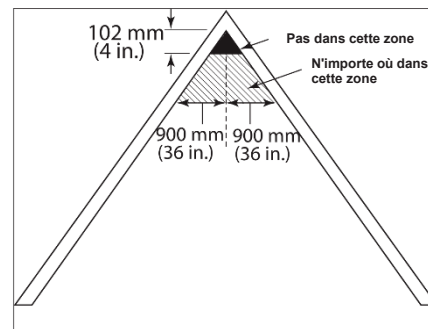


Figure 11 - Exemple de montage correct pour les détecteurs avec plafonds en pointe

7.2 EMBLEMENTS RECOMMANDÉS POUR LES DÉTECTEURS D'OXYDE DE CARBONE

Montage au plafond - le placer à au moins 12" de tout mur.

Montage mural : le placer à au moins 6" du plafond, mais pas plus bas qu'un interrupteur d'éclairage.

Où installer, idéalement:

- À moins de 3 m (10 pieds) d'une chambre à coucher
- À l'intérieur de la chambre à coucher si elle contient un appareil à combustible
- À chaque étage du bâtiment
- Idéalement, l'installer dans n'importe quelle pièce qui contient un appareil à combustibles
- Si l'appareil ou la pièce ne sont pas normalement utilisés, comme la chaufferie, le détecteur doit être placé juste à l'extérieur de la pièce pour que l'alarme puisse être entendue plus facilement

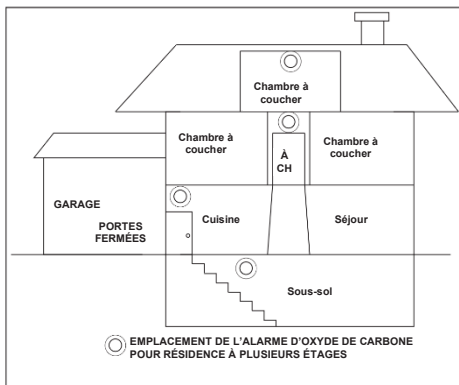


Figure 12 - Diagramme d'emplacement du détecteur de CO

Où NE PAS installer, idéalement :

- Directement au-dessus d'un évier, d'un réchaud, d'une cuisinière ou d'un four
- Ne pas placer le détecteur à moins de 1,5 m (5 pieds) de n'importe quel appareil de cuisson

- Près d'une porte ou d'une fenêtre qui serait affectée par des courants d'air, par exemple un ventilateur d'extraction ou un évent d'aération
- Extérieur
- Ne pas installer dans un environnement non conforme aux caractéristiques environnementales du détecteur
- Dans ou en dessous d'un placard
- Là où la circulation d'air serait obstruée par des rideaux ou des meubles
- Là où de la saleté ou de la poussière pourrait s'accumuler et bloquer le capteur
- Là où il pourrait être heurté, endommagé ou retiré par inadvertance

7.3 PROCÉDURE DE MONTAGE

NOTE : Le détecteur combiné sans fil de fumée, chaleur et oxyde de carbone ne doit être installé que par un technicien ou un installateur compétent.

NOTE : Le détecteur combiné sans fil de fumée, chaleur et oxyde de carbone ne doit pas être utilisé avec une protection.

NOTE : NE PAS attacher le détecteur à des panneaux de plafond amovibles.

NOTE : Deux étiquettes d'avertissement sont fournies avec le détecteur. L'une doit être montée à proximité du détecteur de CO et l'autre à proximité d'une source d'air frais où les membres du ménage se rassembleront si le signal d'alarme retentit.

MISE EN GARDE : Les particules de poussière en suspension dans l'air peuvent pénétrer dans le détecteur. Retirez le détecteur avant de commencer des travaux de construction ou toute autre activité produisant de la poussière. Remplacer immédiatement le détecteur lorsque l'activité productrice de poussière a cessé.

AVERTISSEMENT : NE PAS PEINDRE le détecteur

Une fois qu'un emplacement approprié a été identifié, installer le socle de montage au plafond ou au mur (si les ordonnances locales le permettent) à l'aide des deux vis et des ancrages fournis (Figure 13). Retirer la languette de la batterie (Section 5.1) et s'assurer que le détecteur se met sous tension (Section 5.2). Placer le détecteur sur le socle de montage (Figure 14) et le tourner dans le sens horaire jusqu'à ce qu'il s'enclenche et que les encoches d'alignement soient alignées (Figure 15). Tester le détecteur comme décrit dans la Section 9 TESTS D'ENTRETIEN SUR LE TERRAIN du présent guide d'installation.

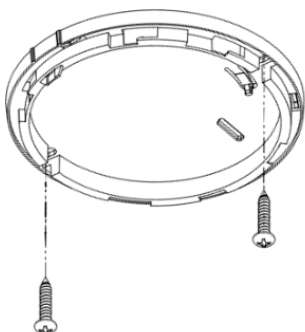


Figure13 - Installation du socle

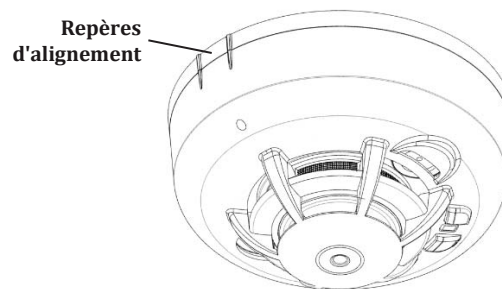


Figure 15 - Détecteur entièrement aligné et installé sur le socle de montage

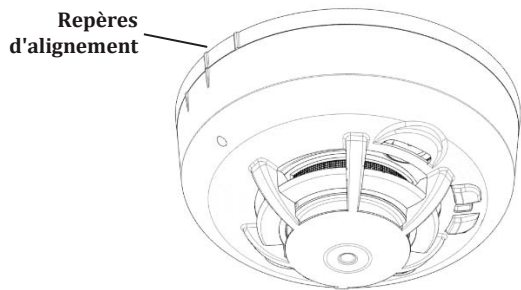


Figure 14 - Détecteur aligné sur le socle avant de terminer l'installation

8 PROTECTION ANTI-ALTÉRATION

Le détecteur combiné de fumée, chaleur et oxyde de carbone sans fil est doté d'un commutateur d'anti- vol intégré qui transmet un signal d'altération à la centrale si le détecteur est retiré du socle de montage. Le détecteur comprend également une fonction anti-vol qui empêche de retirer le détecteur du socle de montage. Pour activer la fonction d'anti- vol, couper l'ergot d'anti- vol sur le socle de montage (Figure 16 et Figure 17) et installer le détecteur sur le socle de montage. Pour retirer le détecteur du socle de montage lorsque la fonction d'anti- vol est activée, insérer un petit tournevis dans le trou de déverrouillage de l'anti- vol (Figure 18) pour appuyer sur le levier de déverrouillage tout en tournant le détecteur dans le sens antihoraire.

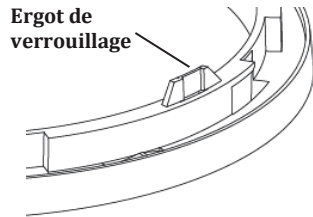


Figure 16 - Ergot de verrouillage de l'anti-vol

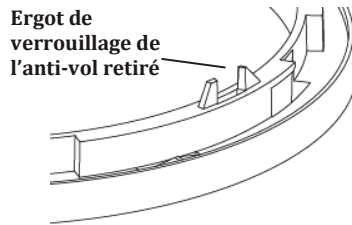


Figure 17 - Ergot de verrouillage de l'anti-vol retiré

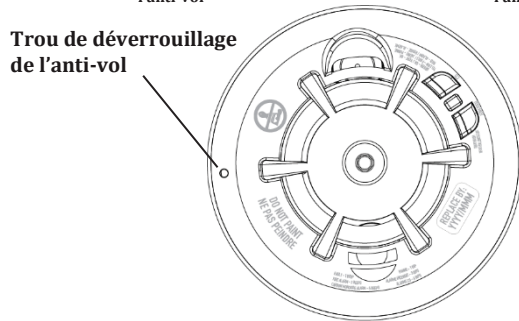


Figure 18 - Emplacement du trou de déverrouillage de l'anti-vol

9 TESTS D'ENTRETIEN SUR LE TERRAIN

NOTE : Avant de procéder au test, avertir le poste central que le système de détection est en cours d'entretien afin d'éviter les alarmes indésirables. Le test du détecteur déclenche une alarme et envoie un signal à la centrale. Les fonctions de test ne peuvent pas être utilisées en cas de dysfonction ou de l'état de fin de vie du détecteur. Les détecteurs doivent être testés après l'installation et suite à un entretien périodique. Le détecteur possède deux boutons de test, un pour le test de fumée et l'autre pour le test de CO (voir Section 2.1 Figure 1).

9.1 CONTRÔLE DE LA SENSIBILITÉ

Examiner le détecteur et observer la DEL. Si la DEL clignote en VERT une fois toutes les 12 secondes, le détecteur fonctionne normalement et la sensibilité se situe dans la plage de sensibilité indiquée au dos du détecteur. Si la DEL clignote en JAUNE toutes les 8 secondes et émet un bip toutes les 48 secondes, il se peut qu'il ne se situe plus dans la plage de sensibilité indiquée et qu'il soit nécessaire de le nettoyer. Se reporter à la section 10.1 pour le nettoyage du détecteur.

9.2 TEST D'ALARME DE FUMÉE

Appuyer sans le relâcher sur le bouton de test de feu (Section 2.1 Figure 1) pendant 2 secondes. Le détecteur émet un signal sonore 3-bips et la DEL clignote en ROUGE avec la sirène.

Continuer à appuyer sans relâcher sur le bouton de test de feu pendant 12 secondes maximum pour vous assurer que le signal d'alarme de fumée est envoyé à la centrale. Vérifier que le signal a été reçu à la centrale.

9.3 TEST DE FONCTIONNEMENT DE L'ALARME DE FUMÉE

En utilisant les produits de fumée en boîte SDI SOLO A10, SDI Smoke Centurion ou SDI Smoke Sabre conformément aux instructions indiquées sur l'étiquette, vaporiser de la fumée en boîte sur le détecteur. Le détecteur émet un signal sonore 3-bips, la DEL clignote en ROUGE avec l'alarme sonore et le signal d'alarme de fumée est envoyé à la centrale. Vérifier que le signal a été reçu à la centrale.

9.4 TEST FONCTIONNEL DE L'ALARME DE CHALEUR

À l'aide d'un sèche-cheveux de 1000-1500 watts à une distance d'environ 12 pouces du détecteur, diriger l'air chaud vers le détecteur. Le détecteur émet un signal 3-bips, le voyant clignote en ROUGE avec l'alarme sonore et le signal d'alarme de chauffage est envoyé à la centrale.

9.5 TEST D'ALARME DE CO

Appuyer sans relâcher sur le bouton de test de CO (voir Section 2.1 Figure 1) pendant 2 secondes. Le détecteur émet un signal sonore 4-bips et la DEL clignote en ROUGE avec l'alarme sonore.

Continuer à appuyer sur le bouton de test de CO pendant 12 secondes maximum pour vous assurer que le signal d'alarme de CO est envoyé à la centrale. Vérifier que le signal a été reçu à la centrale.

9.6 TEST FONCTIONNEL DE L'ALARME CO

Après avoir appuyé sur le bouton de test CO pendant 12 secondes comme à l'étape précédente, le détecteur passe en mode de test GO/NO-GO de CO et le voyant clignote en VERT et BLEU pendant 2 minutes. Lorsque le détecteur est en mode de test GO/NO-GO de CO, à l'aide du gaz de test CO SDI SOLO C6, vaporiser une petite quantité de gaz de test CO directement dans le port d'entrée de gaz (voir Section 2.1 Figure 1). Le détecteur émet un signal 4-bips, la DEL clignote en ROUGE avec l'alarme sonore et le signal d'alarme de CO est envoyé à la centrale. Vérifier que le signal a été reçu à la centrale. Le test de CO s'efface automatiquement après le test, ou après 2 minutes si aucun gaz de test de CO n'a été utilisé.

9.7 POST-TEST

Si le détecteur ne s'active pas lors de l'un des tests, il doit être nettoyé, comme indiqué dans la section 10.1 du présent manuel, et le test doit être répété. Si le détecteur ne s'active toujours pas, le renvoyer pour réparation. Une fois le test terminé, s'assurer que le détecteur revient en mode de fonctionnement normal et que la DEL clignote en vert toutes les 12 secondes. Si le détecteur n'est pas en fonctionnement normal, se reporter à la section 4.1 Tableau 1 - mode de fonctionnement de la DEL d'état du détecteur et de la sirène pour déterminer son état.

10 ENTRETIEN

TESTER UNE FOIS PAR SEMAINE

AVERTISSEMENT : UTILISER UNIQUEMENT LES PILES SPÉCIFIÉES.

L'UTILISATION DE PILES DIFFÉRENTES PEUT AVOIR UN EFFET NÉFASTE SUR LE DÉTECTEUR. VOTRE DÉTECTEUR DOIT ÊTRE NETTOYÉ AU MOINS UNE FOIS PAR AN.

10.1 NETTOYAGE

Retirer le détecteur du socle de montage. Utiliser un aspirateur pour nettoyer les ouvertures autour du périmètre du détecteur, ou utiliser de l'air comprimé à travers les ouvertures autour du périmètre du détecteur. Nettoyer le détecteur avec un chiffon humide. Remonter le détecteur sur le socle de montage.

11 DÉTECTION DE FEU

AVERTISSEMENT : LIRE ATTENTIVEMENT ET EN ENTIER

- NFPA 72 déclare : Les équipements d'avertissement de feu destinés aux occupants résidentiels sont capables de protéger environ la moitié des occupants en cas d'incendie potentiellement mortel. Les victimes sont souvent, affectées par le feu étant trop vieilles ou trop jeunes, ou physiquement ou mentalement déficientes, de sorte qu'elles ne peuvent pas s'échapper, même lorsqu'elles sont prévenues assez tôt pour que l'évasion soit possible. Pour ces personnes, d'autres stratégies seraient nécessaires, comme la protection sur place ou l'aide à l'évasion ou au sauvetage.
- Une alarme alimentée par pile doit être équipée d'une pile du type spécifié, en bon état et installée correctement.
- Les alarmes de fumée doivent être testées régulièrement pour s'assurer que les piles et les circuits d'alarme sont en bon état de fonctionnement.
- Les alarmes de fumée ne peuvent pas déclencher d'alarme si la fumée n'atteint pas le détecteur. Par conséquent, les détecteurs de fumée peuvent ne pas détecter les feux en commençant dans les cheminées, les murs, sur les toits, de l'autre côté d'une porte fermée ou sur un autre étage.
- Si l'alarme se trouve à l'extérieur de la chambre à coucher ou sur un autre étage, il se peut qu'elle ne réveille pas les personnes dont le sommeil est profond.
- Des études ont montré que les alarmes de fumée et de chaleur peuvent ne pas réveiller toutes les personnes qui dorment, et qu'il est de la responsabilité des personnes dans le ménage qui sont capables d'aider les autres à fournir de l'aide à ceux qui ne peuvent pas être réveillés par l'alarme ou à ceux qui peuvent être incapables d'évacuer la zone sans aide en toute sécurité.
- La consommation d'alcool ou de drogues peut également nuire à la capacité d'entendre l'alarme de fumée. Pour une protection maximale, un détecteur de fumée devrait être installé dans chaque chambre à coucher sur chaque étage de la maison.
- Bien que les détecteurs de fumée puissent aider à sauver des vies en fournissant un avertissement précoce d'un incendie, ils ne remplacent pas une police d'assurance. Les propriétaires et locataires devraient avoir une assurance adéquate pour protéger leurs biens.

PLAN D'ÉVASION FAMILIALE

Selon la National Fire protection Association (NFPA) il y a souvent très peu de temps entre la détection d'un incendie et le moment où il devient mortel. Cet intervalle peut être de 1 ou 2 minutes. Il est important de planifier et de pratiquer les conditions d'incendie en mettant l'accent sur la sortie rapide de la résidence. Des exercices devraient être tenus pour que tous les membres de la famille soient au courant de la conduite à tenir.

CONSEILS DE SÉCURITÉ

- Faire un plan d'évacuation de la maison. Dessiner une carte de votre maison montrant toutes les portes et fenêtres. Discuter du plan avec tout le monde dans votre maison.
- Connaître au moins deux manières de sortir de chaque pièce, si possible. S'assurer que toutes les portes et fenêtres qui mènent vers l'extérieur s'ouvrent facilement.
- Désigner un lieu de réunion extérieur (comme un arbre, un poteau lumineux ou une boîte aux lettres) à une distance sécuritaire de la maison où tout le monde devrait se rencontrer.
- Pratiquez votre exercice de feu à la maison la nuit et pendant la journée avec tout le monde dans votre maison, deux fois par an.
- S'entraîner à utiliser différentes voies de sortie.
- Enseigner aux enfants comment s'échapper par eux-mêmes au cas où vous ne pourriez pas les aider.
- Fermer les portes derrière vous lorsque vous partez.

SI L'ALARME RETENTIT

- Si le détecteur de fumée retentit, sortez et restez à l'extérieur. Ne revenez jamais à l'intérieur pour des personnes ou des animaux.
- Si vous devez vous échapper à travers la fumée, baissez-vous et passez en dessous de la fumée vers votre sortie.
- Appeler les pompiers depuis l'extérieur de votre domicile. POUR PLUS D'INFORMATIONS SUR LA SÉCURITÉ, CONSULTER LE SITE INTERNET: www.nfpa.org/education.

12 OXYDE DE CARBONE ET SA DÉTECTION

MISE EN GARDE : Le présent détecteur d'oxyde de carbone est conçu pour une utilisation en intérieur uniquement. Ne pas exposer à la pluie ou à l'humidité. Ne pas heurter ou laisser tomber le détecteur. Ne pas ouvrir ou altérer le détecteur car cela pourrait entraîner son dysfonctionnement. Le détecteur ne protégera pas contre le risque d'empoisonnement à l'oxyde de carbone s'il n'est pas installé correctement.

MISE EN GARDE : Le présent appareil indique uniquement la présence d'oxyde de carbone au niveau du capteur. De l'oxyde de carbone peut être présent dans d'autres zones. Le présent dispositif d'alarme d'oxyde de carbone est conçu pour détecter l'oxyde de carbone provenant DE TOUTE source de combustion. Il n'est PAS conçu pour détecter la fumée, le feu ou d'autres gaz, sauf si le produit a fait l'objet d'une enquête et s'il est jugé conforme aux exigences applicables. Le présent dispositif ne doit pas être installé pour remplacer une bonne installation, utilisation et entretien appropriés des appareils à combustible, y compris les systèmes de ventilation et d'évacuation appropriés. L'oxyde de carbone est un gaz hautement toxique qui est libéré lorsque des combustibles sont brûlés. Il est invisible, n'a pas d'odeur et est donc impossible à détecter avec les sens humains. Dans des conditions normales, dans une pièce où les appareils à combustibles

sont bien entretenus et correctement ventilés, la quantité d'oxyde de carbone libérée dans la pièce par les appareils ne devrait pas être dangereuse.



Conditions pouvant entraîner des états transitoires de CO :

1. Déversement excessif ou évacuation inverse d'appareils à combustibles causés par
 - les conditions ambiantes extérieures, telles que la direction et/ou la vitesse du vent, y compris les rafales de vent élevées, et un tirage insuffisant dans les tuyaux d'aération,
 - différentiel de pression négatif résultant de l'utilisation de ventilateurs d'évacuation,
 - fonctionnement simultané de plusieurs appareils à combustibles en concurrence pour un air interne limité,
 - raccords de tuyau d'aération desserrés des appareils alimentés en combustibles,
 - obstructions ou conceptions non conventionnelles de tuyaux d'aération qui peuvent amplifier les situations ci-dessus,
 - cheminées et/ou événements mal conçus ou mal entretenus,
2. Utilisation prolongée d'appareils à combustibles non ventilés (cuisinière, four, cheminée, etc.),
3. Les inversions de température qui peuvent piéger les gaz d'échappement près du sol,
4. Voiture tournant au ralenti dans un garage mitoyen fermé ou ouvert, ou à proximité d'une maison.

Les symptômes suivants sont liés À L'EMPOISONNEMENT À L'OXYDE DE CARBONE et doivent être discutés avec tous les membres de la famille :

1. **Exposition légère :** Maux de tête légers, nausées, vomissements, fatigue (souvent décrits comme symptômes « pseudo-grippaux »).
2. **Exposition moyenne :** Maux de tête sévères lancinants, somnolence, confusion, rythme cardiaque rapide.
3. **Exposition extrême :** Perte de conscience, convulsions, insuffisance cardiorespiratoire, mort.

De nombreux cas d'EMPOISONNEMENT À L'OXYDE DE CARBONE indiquent que, bien que les victimes soient conscientes qu'elles ne sont pas bien, elles deviennent si désorientées qu'elles ne peuvent pas se sauver en quittant le bâtiment ou en demandant de l'aide. Les jeunes enfants et les animaux domestiques sont généralement les premiers touchés.

AVERTISSEMENT : INFORMATIONS IMPORTANTES POUR L'UTILISATEUR

Les personnes ayant des problèmes de santé peuvent envisager d'utiliser des dispositifs d'avertissement qui fournissent des signaux sonores et visuels pour des concentrations d'oxyde de carbone inférieures à 30 ppm.



AVERTISSEMENT

L'activation de l'alarme de CO indique la présence d'oxyde de carbone (CO) qui peut VOUS TUER.

Si le signal d'alarme retentit :

1. Appuyer sur le bouton de réinitialisation/mise en sourdine.
2. Appeler les services d'urgence (pompiers ou 911).
3. Passer immédiatement à l'air frais - à l'extérieur ou près d'une porte ou d'une fenêtre ouverte. Faites un décompte pour vérifier que toutes les personnes sont prises en compte. Ne pas retourner dans les locaux et ne pas s'éloigner de la porte ou de la fenêtre ouverte tant que les services d'urgence ne sont pas arrivés, que les locaux n'ont pas été aérés et que votre alarme n'est pas dans son état normal.
4. Après avoir suivi les étapes 1 à 3, si votre alarme se réactive dans un délai de 24 heures, répéter les étapes 1 à 3 et appeler un technicien qualifié (numéro de téléphone) pour rechercher les sources de CO provenant d'appareils et d'équipements à combustibles, et vérifier le bon fonctionnement de cet équipement. Si des problèmes sont identifiés au cours de cette inspection, faire réparer l'équipement immédiatement. Noter tout appareil à combustibles non inspecté par le technicien et consulter les instructions du fabricant, ou contacter directement le fabricant, pour plus d'informations sur la sécurité du CO et sur cet appareil. Assurez-vous que les véhicules à moteur ne sont pas, et n'ont pas été, utilisés dans un garage attenant ou adjacent à la résidence.

Les locaux doivent être bien ventilés lorsque des produits de nettoyage ménagers ou des contaminants similaires sont utilisés.

REPLACEMENT DU DÉTECTEUR

Le présent détecteur est équipé d'un capteur d'oxyde de carbone à longue durée de vie. Au fil du temps, le capteur peut perdre sa sensibilité et doit être remplacé par un nouveau détecteur d'oxyde de carbone. La durée de vie du détecteur est de 10 ans à compter de la date de fabrication.

NOTE : Lorsque le détecteur est retiré de son socle, un message d'enlèvement est envoyé à la centrale.

Le détecteur provoque également un état de dysfonctionnement une fois qu'il a atteint la fin de sa durée de vie utile. Dans ce cas, il est temps de remplacer le détecteur.

NOTE : Avant de remplacer le détecteur, informer les autorités compétentes que l'entretien est en cours et que le système sera temporairement hors service. Désactiver la zone où le système est en cours d'entretien pour éviter toute alarme indésirable. Mettre le détecteur au rebut conformément aux réglementations locales.

NOTE : La date de remplacement qui apparaît sur l'appareil est la date au-delà de laquelle l'appareil peut ne plus détecter l'oxyde de carbone avec précision et doit être remplacé immédiatement.

ATTENTION

il convient de noter que l'installation, le fonctionnement, les essais et l'entretien d'un détecteur d'oxyde de carbone sont différents des détecteurs de fumée. Conformément à la section 5.3.7.2 de la NFPA 720, un détecteur de CO ne doit pas être connecté à une zone qui signale un feu (c'est-à-dire des zones de détecteurs de fumée). Par conséquent, le signal d'alarme d'oxyde de carbone doit être programmé comme une zone sans feu. Voir les instructions d'installation de la centrale pour le type approprié de zone d'oxyde de carbone à programmer.

13 CARACTÉRISTIQUES

- Fréquence de l'émetteur : 345 000 MHz (contrôlé par quartz)
- Encombrement : Ø 125 mm x 70 mm de hauteur (Ø 5" x 2,75" de hauteur)
- Poids (pile comprise) : 300 g (10,5 oz)
- Couleur : Blanc
- Signal sonore (ANSI 3-bips/4-bips) : 85 dBA min. en alarme (à 3 m/10 pieds)
- Sensibilité 2,00 à 3,34 % /pied d'obscurité
- Température de fonctionnement : 4,4 °C à 37,8 °C (40 °F à 100 °F)
- Humidité de fonctionnement : 15 % à 90 % d'humidité relative sans condensation
- Puissance thermique supplémentaire : 135 °F
- Espacement thermique supplémentaire : 70 pi
- Piles (incluses) : Deux (2) piles lithium Panasonic CR123A ou deux (2) piles lithium Energizer EL123AP

- Liste réglementaire : Intertek ETL homologué UL 268 avec détection de chaleur supplémentaire, UL 2075, ULCS588
- Garantie : Deux (2) ans
- Accessoires inclus Quincaillerie de montage

14 ÉQUIPEMENT RF COMPATIBLE

14.1 MODÈLE 51000- 600

Unité de commande : Vivint CP04 (VS-SH2000-000) Doc 77-600022-001 – Rév. A.2
Plage de séparation max. (Air libre) : 100 pieds

14.2 MODÈLE 51000- 601

Unité de commande : Honeywell Lyric LCP500-L Doc 800-18078H 11/15 Rév. H
Plage de séparation max. (Air libre) : 100 pieds

Dans les unités d'habitation et les immeubles d'appartements à un ou plusieurs étages dotés de systèmes d'alarme de fumée similaires, il est possible que les signaux envoyés par les capteurs sans fil soient bloqués ou réfléchis par du métal avant qu'ils n'atteignent la centrale d'alarme, même si le chemin du signal a été récemment vérifié au cours d'un test hebdomadaire. Un blocage peut se produire si un objet métallique a été déplacé dans le chemin du signal du capteur.

15 REGULATORY INFORMATION NOTICE

Toute modification ou changement non autorisé peut annuler le droit de l'utilisateur d'utiliser l'appareil.

L'appareil doit être conforme aux règlements de la FCC, Part 15 et aux normes RSS exemptes de licence d'Industrie Canada. Son utilisation est soumise aux deux conditions suivantes : (1) Le présent appareil ne doit pas causer d'interférences nuisibles, et (2) le présent appareil doit accepter toute interférence reçue, y compris l'interférence qui peut causer un fonctionnement indésirable de l'appareil. Le présent équipement a été testé et déclaré conforme aux limites pour appareils numériques de Classe B en vertu des FCC Rules, Part 15. Ces limites ont été établies dans le but d'assurer une protection suffisante contre les interférences gênantes dans les lieux d'habitation. Le présent appareil produit, utilise et peut rayonner de l'énergie de radiofréquence; s'il n'est pas installé et utilisé conformément aux instructions, il peut provoquer des interférences gênantes avec les communications radio. Il n'y a néanmoins aucune garantie que des interférences ne se produiront pas dans une installation donnée. Si cet équipement provoque des

interférences qui gênent la bonne réception de la radio et de la télévision, ce qui peut être déterminé en éteignant et en rallumant l'appareil, vous pouvez essayer de réduire ces interférences en appliquant une ou plusieurs des mesures suivantes : Modifier l'orientation ou la position de l'antenne de réception.

- Éloigner d'avantage l'appareil du récepteur
 - Brancher l'équipement sur un circuit électrique différent de celui sur lequel est branché le récepteur.
 - Consulter le concessionnaire ou un technicien de radio/télévision expérimenté pour obtenir de l'aide
 - Pour votre information, le National Fire Alarm Code, NFPA 72, stipule :
 - « 11.5.1 Détection requise. »
 - « Lorsque les lois, codes ou normes applicables l'exigent pour un type spécifique d'occupation, un ou plusieurs détecteurs de fumée approuvés doivent être installés comme suit :
 1. Dans les chambres à coucher et les chambres d'amis
 2. À l'extérieur de chaque chambre à coucher d'unité d'habitation séparée, à moins de 6,4 m (21 pi) de toute porte de chambre à coucher, la distance étant mesurée le long d'un trajet
 3. À tous les niveaux d'une unité d'habitation, y compris les sous-sols
 4. À tous les niveaux d'occupation des centres de soins résidentiels (petit établissement), y compris les sous-sols et à l'exclusion des espaces de vide sanitaire et des greniers non finis
 5. Dans le ou les séjours d'une suite pour amis
 6. Dans la ou les salles de séjour d'un centre de soins résidentiel.
- (Réimprimé avec la permission de NFPA 72®, National Fire Alarm Code Copyright © 2007 National Fire protection Association, Quincy, MA 02269.)

Le présent document réimprimé n'est pas la position complète et officielle de la National Fire Protection Association sur le sujet référencé, qui n'est représenté que par la norme dans son intégralité.)

(National Fire Alarm Code® et NFPA 72® sont des marques déposées de la National Fire protection Association, Inc., Quincy, MA 02269.)