

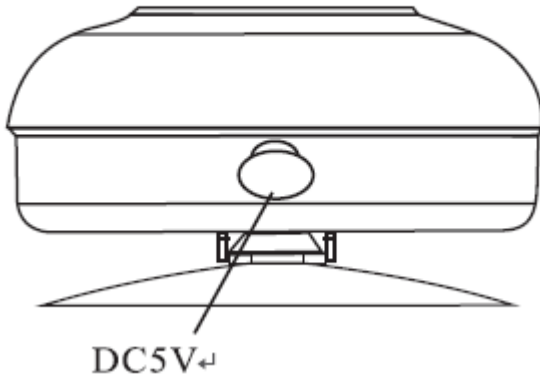
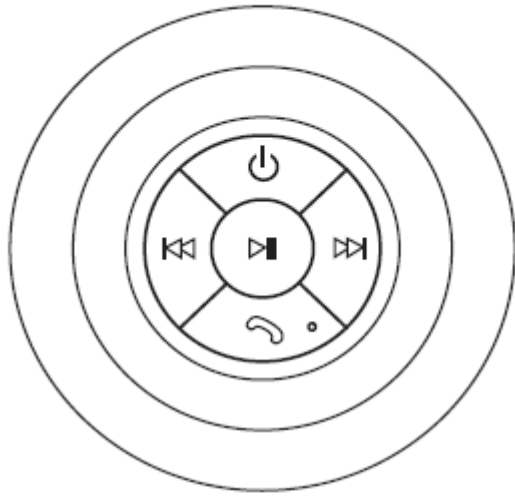
Thank you for choosing our product. We hope you will enjoy it very much.

**Safety instructions**

Read this manual carefully before putting the appliance into operation and keep this manual for future reference.

- Keep the device away from heat, direct sunlight and sharp edges.
  
- Keep the device away from naked flames.
  
- Do not insert any metal object into the device.  
Risk of short circuit!
  
- To avoid a static charge, do not use the device in an extremely dry climate.
  
- Do not repair the unit yourself but contact an authorised specialist.

## Product Overview



DC5V+

### **Accessories included**

1 pc USB charging cable

### **Charge Integrated Battery**

This Bluetooth speaker is powered by integrated rechargeable lithium battery. Charge the battery as follows:

1 Insert the charging cable into the DC 5V socket on the unit. Connect the USB plug into a PC or AC /DC adaptor. The LED indicator turns red and the battery is being charged.

2: When the battery is fully charged, the red LED indicator goes out.

### **Pairing BTS-06 to mobile phone or other device**

Activate the Bluetooth speaker's pairing mode by when in power off mode, press and hold the on/off button for about 6 seconds until the red LED and blue LED are flashing alternatively.

Now the speaker is ready for pairing.

### **Tips:**

Please make sure the speaker is in power off mode When trying to activate the pairing mode.

1 Turn on your mobile phone and activate the Bluetooth function.


2 Search for Bluetooth devices. BTS-06 will show up.


3 Pair your device with BTS-06. If password is needed, type in "0000". After BTS-06 is paired with your device, connect it to your device.

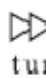
**Tips:**


Once this speaker is paired and connected to your mobile phone, next time when you switch on this speaker, it will connect to your mobile phone automatically as long as the Bluetooth in your mobile phone is on

**Button description**

 On/Off: To switch on or off the unit

 Short press for the previous song, long press for turning down the volume.

 Short press for the next song, long press for turning up the volume.

 Phone: To pick up or hang up a phone call

 Play/Pause the music

Notes & tips:

1. You can press Phone button twice quickly to redial the last phon'e cal

### Troubleshooting

Symptoms	Causes	Solutions
Can not switch the speaker on	Battery empty	Charge the battery
Unable to pair the speaker	Speaker is already switched on, and it is not in pairing mode.	Refer to the section of "Pairing BTS-06 to mobile phone or other device"

### Technical Specifications

Bluetooth support:	3.0+EDR
Range:	10 meters
Transmitting frequency:	2.4G Hz
Power supply:	DC5V/100-120mA
Battery:	3.7V 400mAh lithium
Charging time:	approx. 3 hours
Operating time:	approx. 6 hour
IP grade:	IPx4
Unit weight:	approx. 0.1kg

### Federal Communications Commission (FCC) Statement

This device complies with part 15 of the FCC Rules. Operation is subject to the following two conditions: (1) This device may not cause harmful interference, and (2) this device must accept any interference received, including interference that may cause undesired operation.

**Note:** This equipment has been tested and found to comply with the limits for a Class B digital device, pursuant to part 15 of the FCC Rules. These limits are designed to provide reasonable protection against harmful interference in a residential installation. This equipment generates, uses and can radiate radio frequency energy and, if not installed and used in accordance with the instructions, may cause harmful interference to radio communications. However, there is no guarantee that interference will not occur in a particular installation. If this equipment does cause harmful interference to radio or television reception, which can be determined by turning the equipment off and on, the user is encouraged to try to correct the interference by one or more of the following measures:

- Reorient or relocate the receiving antenna.
- Increase the separation between the equipment and receiver.
- Connect the equipment into an outlet on a circuit different from that to which the receiver is connected.

- Consult the dealer or an experienced radio/TV technician for help.

Warning: Changes or modifications made to this device not expressly approved by TELEPHONE EST (HK) CO., LTD may void the FCC authorization to operate this device.

Note: The manufacturer is not responsible for any radio or TV interference caused by unauthorized modifications to this equipment. Such modifications could void the user's authority to operate the equipment.