



# TEST REPORT

## FCC PART 15.247

Report Reference No. ....: **CTL1708103031-WF**

|  |                                     |                   |
|--|-------------------------------------|-------------------|
| Compiled by:<br>( position+printed name+signature) | Allen Wang<br>(File administrators) | <u>Allen Wang</u> |
| Tested by:<br>( position+printed name+signature)   | Nice Nong<br>(Test Engineer)        | <u>Nice Nong</u>  |
| Approved by:<br>( position+printed name+signature) | Ivan Xie<br>(Manager)               | <u>Ivan Xie</u>   |

**Product Name**.....: Smart Light Bulb

**Model/Type reference** .....: SLB01

**Trade Mark**.....: N/A

**FCC ID**.....: **2ACE5-SLB01**

**Applicant's name** .....: **TELEPHONE EST (HK) CO., LTD**

**Address of applicant** .....: Room709, 7F, FuLi tianhe commercial building, Linhe East Road and tianhe district, Guangzhou, China

**Test Firm**.....: **Shenzhen CTL Testing Technology Co., Ltd.**

**Address of Test Firm**.....: Floor 1-A, Baisha Technology Park, No.3011, Shahexi Road, Nanshan District, Shenzhen, China 518055

**Test specification**.....:

Standard.....: **FCC Part 15.247:** Operation within the bands 902-928 MHz, 2400-2483.5 MHz and 5725-5850 MHz.

TRF Originator.....: Shenzhen CTL Testing Technology Co., Ltd.

Master TRF.....: Dated 2011-01

**Date of Receipt**.....: July 08, 2017

**Date of Test Date**.....: July 08, 2017–July 11, 2017

**Data of Issue**.....: Aug. 18, 2017

**Result**.....: Pass

**Shenzhen CTL Testing Technology Co., Ltd. All rights reserved.**

This publication may be reproduced in whole or in part for non-commercial purposes as long as the Shenzhen CTL Testing Technology Co., Ltd. is acknowledged as copyright owner and source of the material. Shenzhen CTL Testing Technology Co., Ltd. takes no responsibility for and will not assume liability for damages resulting from the reader's interpretation of the reproduced material due to its placement and context.

# TEST REPORT

|                          |                         |   |
|--------------------------|-------------------------|---|
| <b>Test Report No. :</b> | <b>CTL1708103031-WF</b> | Aug. 18, 2017<br>-----<br>Date of issue |
|--------------------------|-------------------------|---|

Equipment under Test : Smart Light Bulb

Model /Type : SLB01

**Applicant** : **TELEPHONE EST (HK) CO., LTD**

Address : Room709, 7F, FuLi tianhe commercial building, Linhe East Road and tianhe district, Guangzhou, China

**Manufacturer** : **TELEPHONE EST (HK) CO., LTD**

Address : Room709, 7F, FuLi tianhe commercial building, Linhe East Road and tianhe district, Guangzhou, China

|                    |               |
|--------------------|---------------|
| <b>Test result</b> | <b>Pass *</b> |
|--------------------|---------------|

\* In the configuration tested, the EUT complied with the standards specified page 5.

The test report merely corresponds to the test sample.

It is not permitted to copy extracts of these test result without the written permission of the test laboratory.

**\*\* Modified History \*\***

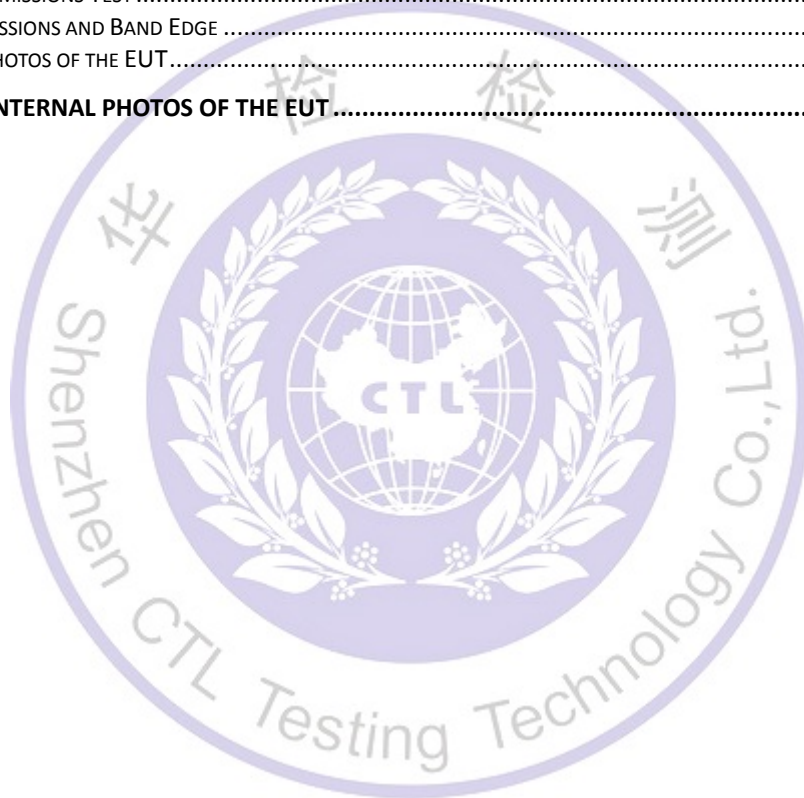
| Revisions   | Description                 | Issued Data | Report No.       | Remark   |
|-------------|-----------------------------|-------------|------------------|----------|
| Version 1.0 | Initial Test Report Release | 2017-08-18  | CTL1708103031-WF | Tracy Qi |
|             |                             |             |                  |          |
|             |                             |             |                  |          |
|             |                             |             |                  |          |
|             |                             |             |                  |          |
|             |                             |             |                  |          |
|             |                             |             |                  |          |
|             |                             |             |                  |          |
|             |                             |             |                  |          |
|             |                             |             |                  |          |
|             |                             |             |                  |          |
|             |                             |             |                  |          |
|             |                             |             |                  |          |
|             |                             |             |                  |          |
|             |                             |             |                  |          |



## Table of Contents

Page

|  |           |
|--|-----------|
| <b>1. SUMMARY.....</b>                                 | <b>5</b>  |
| 1.1. TEST STANDARDS.....                               | 5         |
| 1.2. TEST DESCRIPTION.....                             | 5         |
| 1.3. TEST FACILITY.....                                | 6         |
| 1.4. STATEMENT OF THE MEASUREMENT UNCERTAINTY.....     | 6         |
| <b>2. GENERAL INFORMATION.....</b>                     | <b>7</b>  |
| 2.1. ENVIRONMENTAL CONDITIONS.....                     | 7         |
| 2.2. GENERAL DESCRIPTION OF EUT.....                   | 7         |
| 2.3. DESCRIPTION OF TEST MODES AND TEST FREQUENCY..... | 7         |
| 2.4. EQUIPMENTS USED DURING THE TEST.....              | 8         |
| 2.5. RELATED SUBMITTAL(S) / GRANT (S).....             | 8         |
| 2.6. MODIFICATIONS.....                                | 8         |
| <b>3. TEST CONDITIONS AND RESULTS.....</b>             | <b>9</b>  |
| 3.1. CONDUCTED EMISSIONS TEST.....                     | 9         |
| 3.2. RADIATED EMISSIONS AND BAND EDGE.....             | 12        |
| 3.3. TEST SETUP PHOTOS OF THE EUT.....                 | 19        |
| <b>4. EXTERNAL AND INTERNAL PHOTOS OF THE EUT.....</b> | <b>21</b> |



# 1. SUMMARY

## 1.1. TEST STANDARDS

The tests were performed according to following standards:

[FCC Rules Part 15.247](#): Frequency Hopping, Direct Spread Spectrum and Hybrid Systems that are in operation within the bands of 902-928 MHz, 2400-2483.5 MHz, and 5725-5850 MHz

[ANSI C63.10: 2013](#): American National Standard for Testing Unlicensed Wireless Devices

[KDB558074 D01 V03r05](#): Guidance for Performing Compliance Measurements on Digital Transmission Systems (DTS) Operating Under §15.247

## 1.2. Test Description

| FCC PART 15.247                 |                                |      |
|---------------------------------|--------------------------------|------|
| FCC Part 15.207                 | AC Power Conducted Emission    | PASS |
| FCC Part 15.247(a)(2)           | 6dB Bandwidth                  | PASS |
| FCC Part 15.247(d)              | Spurious RF Conducted Emission | PASS |
| FCC Part 15.247(b)              | Maximum Conducted Output Power | PASS |
| FCC Part 15.247(e)              | Power Spectral Density         | PASS |
| FCC Part 15.109/ 15.205/ 15.209 | Radiated Emissions             | PASS |
| FCC Part 15.247(d)              | Band Edge                      | PASS |
| FCC Part 15.203/15.247 (b)      | Antenna Requirement            | PASS |



## 1.3. Test Facility

### 1.3.1 Address of the test laboratory

Shenzhen CTL Testing Technology Co., Ltd.

Floor 1-A, Baisha Technology Park, No. 3011, Shahexi Road, Nanshan, Shenzhen 518055 China

There is one 3m semi-anechoic chamber and two line conducted labs for final test. The Test Sites meet the requirements in documents ANSI C63.4 and CISPR 22/EN 55022 requirements.

### 1.3.2 Laboratory accreditation

The test facility is recognized, certified, or accredited by the following organizations:

#### IC Registration No.: 9618B

The 3m alternate test site of Shenzhen CTL Testing Technology Co., Ltd. EMC Laboratory has been registered by Certification and Engineer Bureau of Industry Canada for the performance of with Registration No.: 9618B on November 13, 2013.

#### FCC-Registration No.: 970318

Shenzhen CTL Testing Technology Co., Ltd. EMC Laboratory has been registered and fully described in a report filed with the (FCC) Federal Communications Commission. The acceptance letter from the FCC is maintained in our files. Registration 970318, December 19, 2013.

## 1.4. Statement of the measurement uncertainty

The data and results referenced in this document are true and accurate. The reader is cautioned that there may be errors within the calibration limits of the equipment and facilities. The measurement uncertainty was calculated for all measurements listed in this test report acc. to CISPR 16 - 4 "Specification for radio disturbance and immunity measuring apparatus and methods – Part 4: Uncertainty in EMC Measurements" and is documented in the Shenzhen CTL Testing Technology Co., Ltd. quality system acc. to DIN EN ISO/IEC 17025. Furthermore, component and process variability of devices similar to that tested may result in additional deviation. The manufacturer has the sole responsibility of continued compliance of the device.

Hereafter the best measurement capability for CTL laboratory is reported:

| Test                                    | Measurement Uncertainty | Notes |
|---|-------------------------|-------|
| Transmitter power conducted             | ±0.57 dB                | (1)   |
| Transmitter power Radiated              | ±2.20 dB                | (1)   |
| Conducted spurious emission 9KHz-40 GHz | ±2.20 dB                | (1)   |
| Occupied Bandwidth                      | ±0.01ppm                | (1)   |
| Radiated Emission 30~1000MHz            | ±4.10dB                 | (1)   |
| Radiated Emission Above 1GHz            | ±4.32dB                 | (1)   |
| Conducted Disturbance0.15~30MHz         | ±3.20dB                 | (1)   |

- (1) This uncertainty represents an expanded uncertainty expressed at approximately the 95% confidence level using a coverage factor of k=2.

## 2. GENERAL INFORMATION

### 2.1. Environmental conditions

During the measurement the environmental conditions were within the listed ranges:

|                     |         |
|---------------------|---------|
| Normal Temperature: | 25°C    |
| Relative Humidity:  | 55 %    |
| Air Pressure:       | 101 kPa |

### 2.2. General Description of EUT

|                       |                            |
|-----------------------|----------------------------|
| Product Name:         | Smart Light Bulb           |
| Model/Type reference: | SLB01                      |
| Power supply:         | AC 230V/50Hz               |
| <b>Bluetooth BLE</b>  |                            |
| Supported type:       | Version 4.0 for low Energy |
| Modulation:           | GFSK                       |
| Operation frequency:  | 2402MHz to 2480MHz         |
| Channel number:       | 40                         |
| Channel separation:   | 2 MHz                      |
| Antenna type:         | PCB Antenna                |
| Antenna gain:         | 0dBi                       |

Note: For more details, please refer to the user's manual of the EUT.

### 2.3. Description of Test Modes and Test Frequency

The Applicant provides communication tools software to control the EUT for staying in continuous transmitting (Duty Cycle more than 98%) and receiving mode for testing.

There are 39 channels provided to the EUT and Channel 00/19/39 were selected for BT4.0 test.

#### Operation Frequency List BT4.0 :

| Channel   | Frequency (MHz) |
|-----------|-----------------|
| <b>00</b> | <b>2402</b>     |
| 02        | 2404            |
| 03        | 2406            |
| ⋮         | ⋮               |
| <b>19</b> | <b>2440</b>     |
| ⋮         | ⋮               |
| 37        | 2476            |
| 38        | 2478            |
| <b>39</b> | <b>2480</b>     |

Note: The line display in grey were the channel selected for testing

## 2.4. Equipments Used during the Test

| Test Equipment             | Manufacturer         | Model No.                 | Serial No.       | Calibration Date | Calibration Due Date |
|----------------------------|----------------------|---------------------------|------------------|------------------|----------------------|
| LISN                       | R&S                  | ENV216                    | 3560.6550.1<br>2 | 2017/06/02       | 2018/06/01           |
| LISN                       | R&S                  | ESH2-Z5                   | 860014/010       | 2017/06/02       | 2018/06/01           |
| Bilog Antenna              | Sunol Sciences Corp. | JB1                       | A061713          | 2017/06/02       | 2018/06/01           |
| EMI Test Receiver          | R&S                  | ESCI                      | 103710           | 2017/06/02       | 2018/06/01           |
| Spectrum Analyzer          | Agilent              | E4407B                    | MY41440676       | 2017/05/21       | 2018/05/20           |
| Spectrum Analyzer          | Agilent              | N9020                     | US46220290       | 2017/01/16       | 2018/01/17           |
| Controller                 | EM Electronics       | Controller EM 1000        | N/A              | 2017/05/21       | 2018/05/20           |
| Horn Antenna               | Sunol Sciences Corp. | DRH-118                   | A062013          | 2017/05/19       | 2018/05/18           |
| Active Loop Antenna        | SCHWARZBECK          | FMZB1519                  | 1519-037         | 2017/05/19       | 2018/05/18           |
| Amplifier                  | Agilent              | 8349B                     | 3008A02306       | 2017/05/19       | 2018/05/18           |
| Amplifier                  | Agilent              | 8447D                     | 2944A10176       | 2017/05/19       | 2018/05/18           |
| Temperature/Humidity Meter | Gangxing             | CTH-608                   | 02               | 2017/05/20       | 2018/05/19           |
| High-Pass Filter           | K&L                  | 9SH10-2700/X1<br>2750-O/O | N/A              | 2017/05/20       | 2018/05/19           |
| High-Pass Filter           | K&L                  | 41H10-1375/U1<br>2750-O/O | N/A              | 2017/05/20       | 2018/05/19           |
| Coaxial Cables             | HUBER+SUHNER         | SUCOFLEX<br>104PEA-10M    | 10m              | 2017/06/02       | 2018/06/01           |
| Coaxial Cables             | HUBER+SUHNER         | SUCOFLEX<br>104PEA-3M     | 3m               | 2017/06/02       | 2018/06/01           |
| Coaxial Cables             | HUBER+SUHNER         | SUCOFLEX<br>104PEA-3M     | 3m               | 2017/06/02       | 2018/06/01           |
| RF Cable                   | Megalon              | RF-A303                   | N/A              | 2017/06/02       | 2018/06/01           |

The calibration interval was one year

## 2.5. Related Submittal(s) / Grant (s)

This submittal(s) (test report) is intended to comply with Section 15.247 of the FCC Part 15, Subpart C Rules.

## 2.6. Modifications

No modifications were implemented to meet testing criteria.



### 3. TEST CONDITIONS AND RESULTS

#### 3.1. Conducted Emissions Test

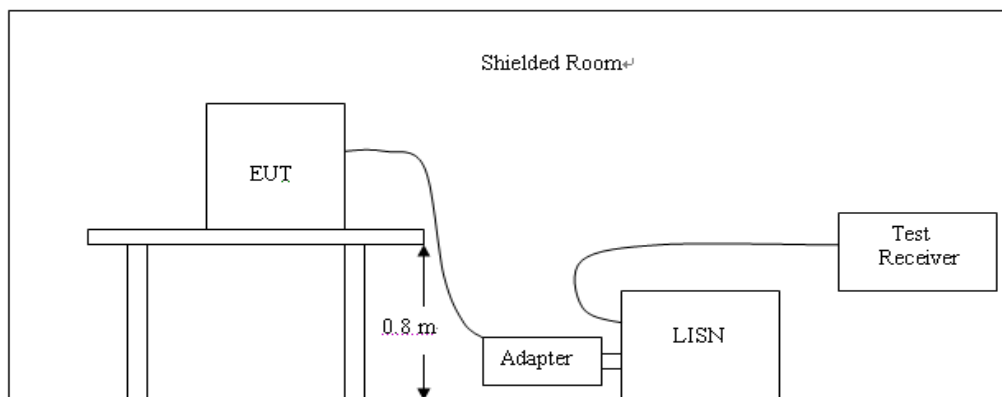
##### LIMIT

FCC CFR Title 47 Part 15 Subpart C Section 15.207

| Frequency range (MHz) | Limit (dBuV) |           |
|-----------------------|--------------|-----------|
|                       | Quasi-peak   | Average   |
| 0.15-0.5              | 66 to 56*    | 56 to 46* |
| 0.5-5                 | 56           | 46        |
| 5-30                  | 60           | 50        |

\* Decreases with the logarithm of the frequency.

##### TEST CONFIGURATION



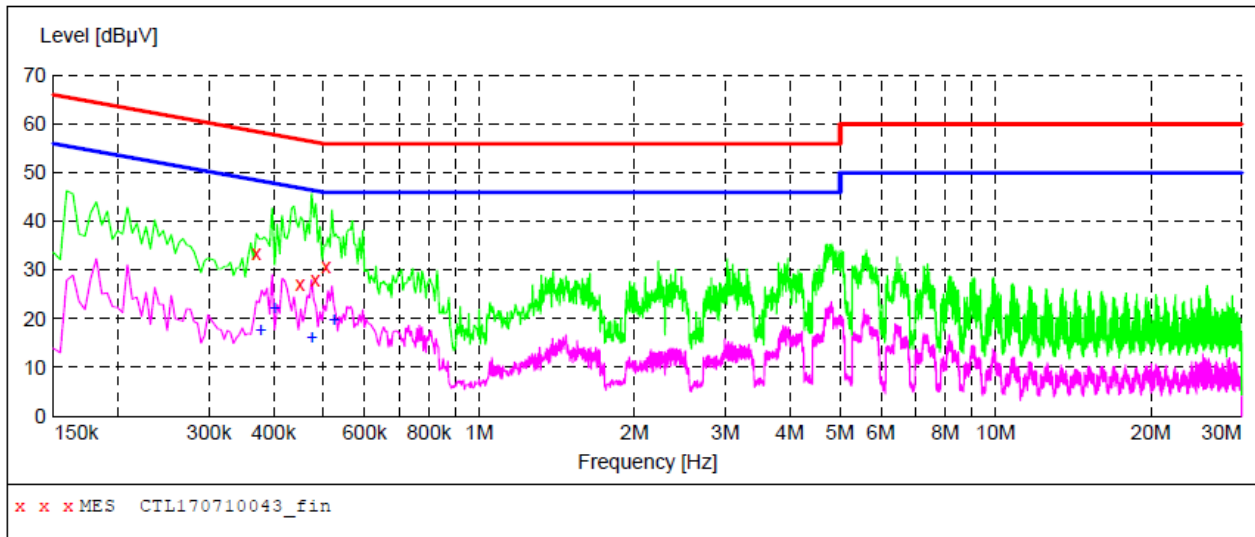
##### TEST PROCEDURE

1. The equipment was set up as per the test configuration to simulate typical actual usage per the user's manual. The EUT is a tabletop system; a wooden table with a height of 0.8 meters is used and is placed on the ground plane as per ANSI C63.10:2013.
2. Support equipment, if needed, was placed as per ANSI C63.10:2013.
3. All I/O cables were positioned to simulate typical actual usage as per ANSI C63.10:2013.
4. The adapter received AC120V/60Hz power through a Line Impedance Stabilization Network (LISN) which supplied power source and was grounded to the ground plane.
5. All support equipments received AC power from a second LISN, if any.
6. The EUT test program was started. Emissions were measured on each current carrying line of the EUT using a spectrum Analyzer / Receiver connected to the LISN powering the EUT. The LISN has two monitoring points: Line 1 (Hot Side) and Line 2 (Neutral Side). Two scans were taken: one with Line 1 connected to Analyzer / Receiver and Line 2 connected to a 50 ohm load; the second scan had Line 1 connected to a 50 ohm load and Line 2 connected to the Analyzer / Receiver.
7. Analyzer / Receiver scanned from 150 KHz to 30MHz for emissions in each of the test modes.
8. During the above scans, the emissions were maximized by cable manipulation.

##### TEST RESULTS

**SCAN TABLE: "Voltage (9K-30M) FIN"**

Short Description: 150K-30M Voltage



**MEASUREMENT RESULT: "CTL170710043\_fin"**

10/7/2017 14:21

| Frequency<br>MHz | Level<br>dBµV | Transd<br>dB | Limit<br>dBµV | Margin<br>dB | Detector | Line | PE  |
|------------------|---------------|--------------|---------------|--------------|----------|------|-----|
| 0.370000         | 33.40         | 10.2         | 59            | 25.1         | QP       | L1   | GND |
| 0.450000         | 27.10         | 10.2         | 57            | 29.8         | QP       | L1   | GND |
| 0.482000         | 27.90         | 10.2         | 56            | 28.4         | QP       | L1   | GND |
| 0.506000         | 30.70         | 10.2         | 56            | 25.3         | QP       | L1   | GND |

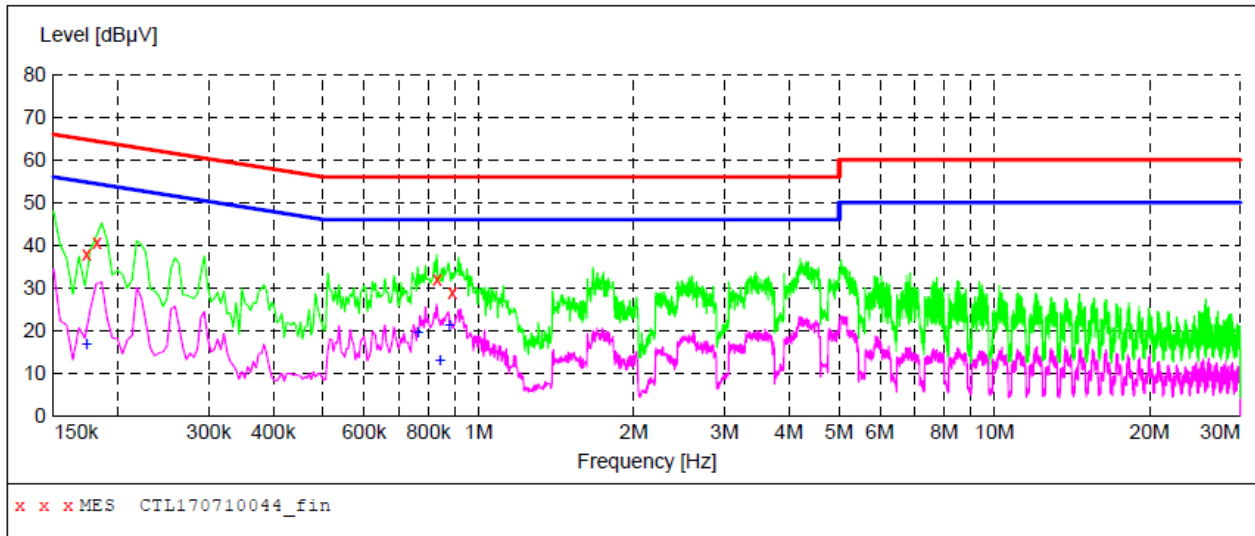
**MEASUREMENT RESULT: "CTL170710043\_fin2"**

10/7/2017 14:21

| Frequency<br>MHz | Level<br>dBµV | Transd<br>dB | Limit<br>dBµV | Margin<br>dB | Detector | Line | PE  |
|------------------|---------------|--------------|---------------|--------------|----------|------|-----|
| 0.378000         | 17.70         | 10.2         | 48            | 30.6         | AV       | L1   | GND |
| 0.402000         | 22.20         | 10.2         | 48            | 25.6         | AV       | L1   | GND |
| 0.474000         | 16.20         | 10.2         | 46            | 30.2         | AV       | L1   | GND |
| 0.524000         | 19.80         | 10.2         | 46            | 26.2         | AV       | L1   | GND |

**SCAN TABLE: "Voltage (9K-30M)FIN"**

Short Description: 150K-30M Voltage



**MEASUREMENT RESULT: "CTL170710044\_fin"**

10/7/2017 14:25

| Frequency<br>MHz | Level<br>dBµV | Transd<br>dB | Limit<br>dBµV | Margin<br>dB | Detector | Line | PE  |
|------------------|---------------|--------------|---------------|--------------|----------|------|-----|
| 0.174000         | 37.80         | 10.2         | 65            | 27.0         | QP       | N    | GND |
| 0.182000         | 40.60         | 10.2         | 64            | 23.8         | QP       | N    | GND |
| 0.830000         | 32.00         | 10.2         | 56            | 24.0         | QP       | N    | GND |
| 0.890000         | 28.90         | 10.2         | 56            | 27.1         | QP       | N    | GND |

**MEASUREMENT RESULT: "CTL170710044\_fin2"**

10/7/2017 14:25

| Frequency<br>MHz | Level<br>dBµV | Transd<br>dB | Limit<br>dBµV | Margin<br>dB | Detector | Line | PE  |
|------------------|---------------|--------------|---------------|--------------|----------|------|-----|
| 0.174000         | 16.80         | 10.2         | 55            | 38.0         | AV       | N    | GND |
| 0.764000         | 19.70         | 10.2         | 46            | 26.3         | AV       | N    | GND |
| 0.842000         | 13.10         | 10.2         | 46            | 32.9         | AV       | N    | GND |
| 0.878000         | 21.20         | 10.2         | 46            | 24.8         | AV       | N    | GND |

### 3.2. Radiated Emissions and Band Edge

#### Limit

For intentional device, according to § 15.209(a), the general requirement of field strength of radiated emission out of authorized band shall not exceed the following table at a 3 meters measurement distance.

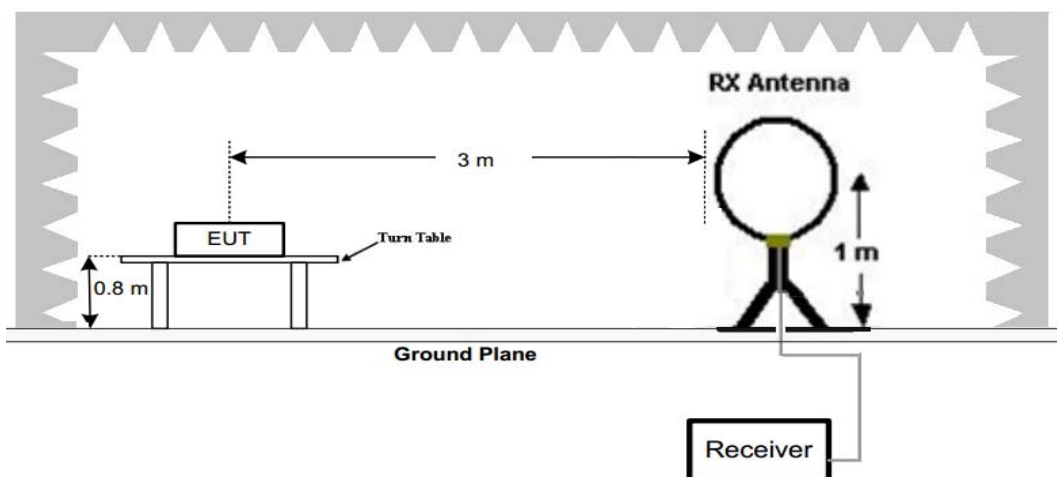
In addition, radiated emissions which fall in the restricted bands, as defined in §15.205(a), must also comply with the radiated emission limits specified in §15.209(a)

Radiated emission limits

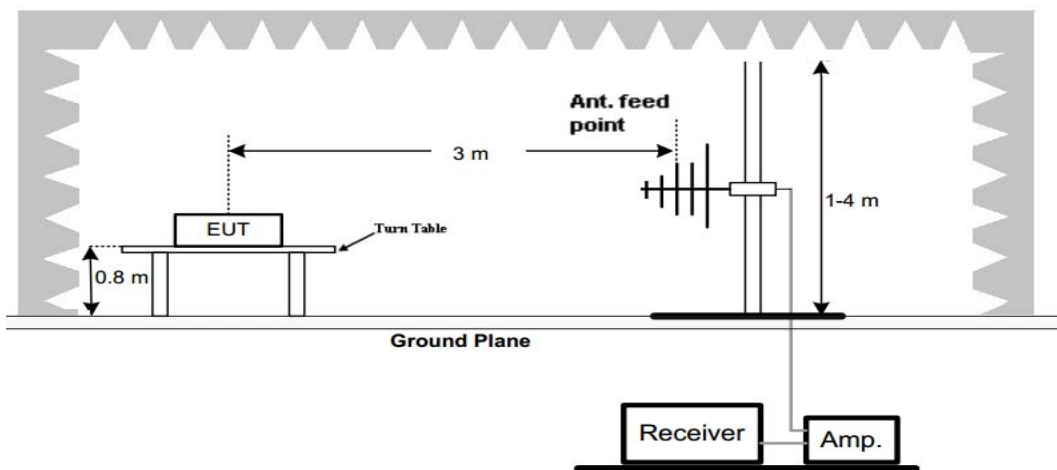
| Frequency (MHz) | Distance (Meters) | Radiated (dB $\mu$ V/m)                    | Radiated ( $\mu$ V/m) |
|-----------------|-------------------|--|-----------------------|
| 0.009-0.49      | 3                 | $20\log(2400/F(\text{KHz}))+40\log(300/3)$ | $2400/F(\text{KHz})$  |
| 0.49-1.705      | 3                 | $20\log(24000/F(\text{KHz}))+40\log(30/3)$ | $24000/F(\text{KHz})$ |
| 1.705-30        | 3                 | $20\log(30)+40\log(30/3)$                  | 30                    |
| 30-88           | 3                 | 40.0                                       | 100                   |
| 88-216          | 3                 | 43.5                                       | 150                   |
| 216-960         | 3                 | 46.0                                       | 200                   |
| Above 960       | 3                 | 54.0                                       | 500                   |

#### TEST CONFIGURATION

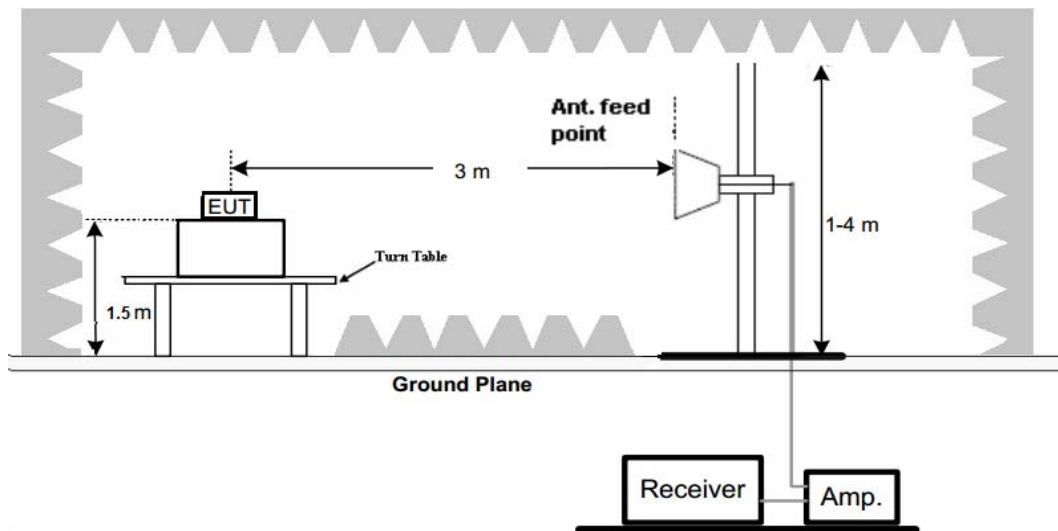
(A) Radiated Emission Test Set-Up, Frequency Below 30MHz



(B) Radiated Emission Test Set-Up, Frequency below 1000MHz



(C) Radiated Emission Test Set-Up, Frequency above 1000MHz



### Test Procedure

1. Below 1GHz measurement the EUT is placed on a turntable which is 0.8m above ground plane, and above 1GHz measurement EUT was placed on a low permittivity and low loss tangent turn table which is 1.5m above ground plane.
2. Maximum procedure was performed by raising the receiving antenna from 1m to 4m and rotating the turn table from 0° to 360° to acquire the highest emissions from EUT
3. And also, each emission was to be maximized by changing the polarization of receiving antenna both horizontal and vertical.
4. Repeat above procedures until all frequency measurements have been completed.

### TEST RESULTS

Remark:

1. For below 1GHz testing recorded worst at BLE low channel.
2. Radiated emission test from 9 KHz to 10th harmonic of fundamental was verified, and no emission found except system noise floor in 9 KHz to 30MHz and not recorded in this report.

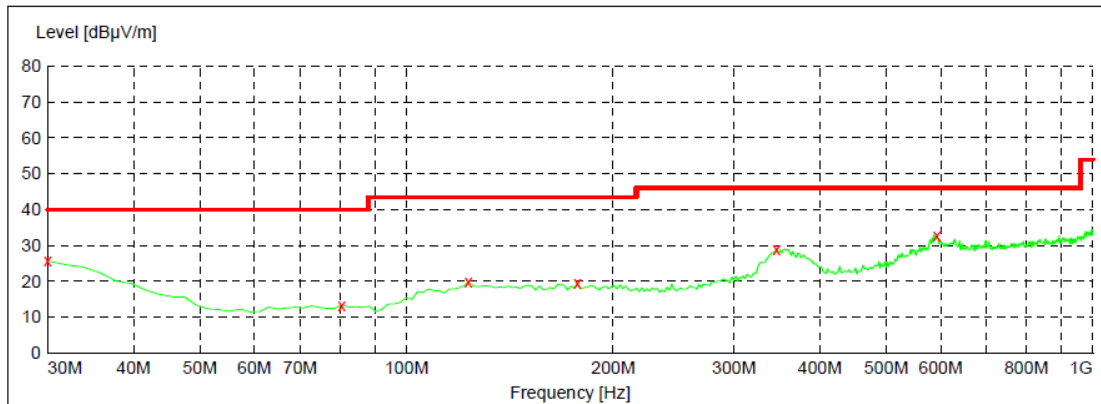


For 30MHz-1GHz

Horizontal

**SWEEP TABLE: "test (30M-1G)"**

|                    |         |                |            |           |            |
|--------------------|---------|----------------|------------|-----------|------------|
| Short Description: |         | Field Strength |            |           |            |
| Start              | Stop    | Detector       | Meas. Time | IF Bandw. | Transducer |
| 30.0 MHz           | 1.0 GHz | MaxPeak        | 300.0 ms   | 120 kHz   | JB1        |



x x x MES CTL170710805\_red

**MEASUREMENT RESULT: "CTL170710805\_red"**

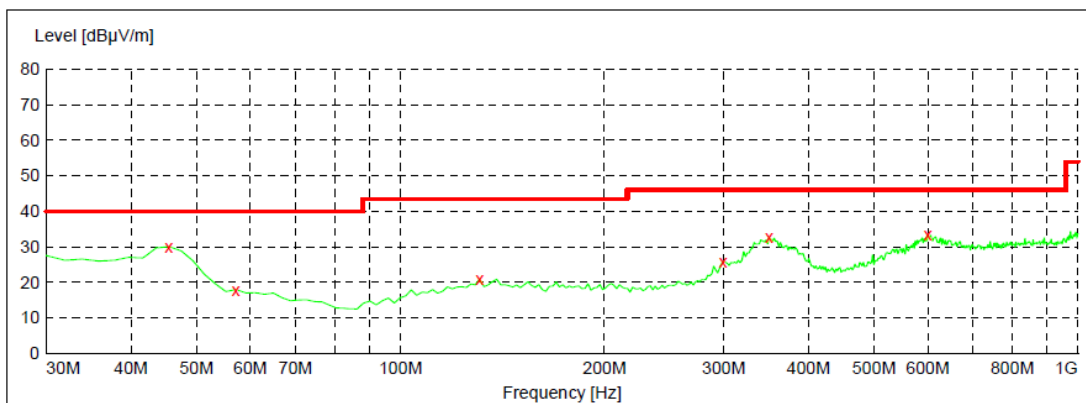
7/10/2017 9:49AM

| Frequency MHz | Level dBuV/m | Transd dB | Limit dBuV/m | Margin dB | Det. | Height cm | Azimuth deg | Polarization |
|---------------|--------------|-----------|--------------|-----------|------|-----------|-------------|--------------|
| 30.000000     | 25.60        | 22.1      | 40.0         | 14.4      | ---  | 0.0       | 0.00        | HORIZONTAL   |
| 80.440000     | 13.40        | 9.0       | 40.0         | 26.6      | ---  | 0.0       | 0.00        | HORIZONTAL   |
| 123.120000    | 19.70        | 15.2      | 43.5         | 23.8      | ---  | 0.0       | 0.00        | HORIZONTAL   |
| 177.440000    | 19.30        | 14.6      | 43.5         | 24.2      | ---  | 0.0       | 0.00        | HORIZONTAL   |
| 346.220000    | 29.00        | 17.2      | 46.0         | 17.0      | ---  | 0.0       | 0.00        | HORIZONTAL   |
| 592.600000    | 32.90        | 22.9      | 46.0         | 13.1      | ---  | 0.0       | 0.00        | HORIZONTAL   |

Vertical

**SWEEP TABLE: "test (30M-1G)"**

|                    |         |                |            |           |            |
|--------------------|---------|----------------|------------|-----------|------------|
| Short Description: |         | Field Strength |            |           |            |
| Start              | Stop    | Detector       | Meas. Time | IF Bandw. | Transducer |
| 30.0 MHz           | 1.0 GHz | MaxPeak        | 300.0 ms   | 120 kHz   | JB1        |



x x x MES CTL170710806\_red

**MEASUREMENT RESULT: "CTL170710806\_red"**

7/10/2017 9:50AM

| Frequency MHz | Level dBuV/m | Transd dB | Limit dBuV/m | Margin dB | Det. | Height cm | Azimuth deg | Polarization |
|---------------|--------------|-----------|--------------|-----------|------|-----------|-------------|--------------|
| 45.520000     | 30.00        | 11.2      | 40.0         | 10.0      | ---  | 0.0       | 0.00        | VERTICAL     |
| 57.160000     | 17.90        | 7.9       | 40.0         | 22.1      | ---  | 0.0       | 0.00        | VERTICAL     |
| 130.880000    | 20.80        | 15.3      | 43.5         | 22.7      | ---  | 0.0       | 0.00        | VERTICAL     |
| 299.660000    | 25.80        | 16.1      | 46.0         | 20.2      | ---  | 0.0       | 0.00        | VERTICAL     |
| 350.100000    | 32.60        | 17.3      | 46.0         | 13.4      | ---  | 0.0       | 0.00        | VERTICAL     |
| 600.360000    | 33.50        | 23.0      | 46.0         | 12.5      | ---  | 0.0       | 0.00        | VERTICAL     |

## For 1GHz to 25GHz

**BT4.0 Mode (above 1GHz)**

| Frequency(MHz): |                         |    | 2402           |             | Polarity:        |                       |                   | HORIZONTAL         |                          |
|-----------------|-------------------------|----|----------------|-------------|------------------|-----------------------|-------------------|--------------------|--------------------------|
| Frequency (MHz) | Emission Level (dBuV/m) |    | Limit (dBuV/m) | Margin (dB) | Raw Value (dBuV) | Antenna Factor (dB/m) | Cable Factor (dB) | Pre-amplifier (dB) | Correction Factor (dB/m) |
| 4804.00         | 50.82                   | PK | 74.00          | 23.18       | 46.31            | 33.49                 | 6.91              | 35.89              | 4.51                     |
| 4804.00         | --                      | AV | 54.00          | --          | --               | --                    | --                | --                 | --                       |
| 5286.50         | 43.17                   | PK | 74.00          | 30.83       | 35.96            | 34.38                 | 7.10              | 34.27              | 7.21                     |
| 5286.50         | --                      | AV | 54.00          | --          | --               | --                    | --                | --                 | --                       |
| 7206.00         | 48.86                   | PK | 74.00          | 25.14       | 37.76            | 36.95                 | 9.18              | 35.03              | 11.10                    |
| 7206.00         | --                      | AV | 54.00          | --          | --               | --                    | --                | --                 | --                       |

| Frequency(MHz): |                         |    | 2402           |             | Polarity:        |                       |                   | VERTICAL           |                          |
|-----------------|-------------------------|----|----------------|-------------|------------------|-----------------------|-------------------|--------------------|--------------------------|
| Frequency (MHz) | Emission Level (dBuV/m) |    | Limit (dBuV/m) | Margin (dB) | Raw Value (dBuV) | Antenna Factor (dB/m) | Cable Factor (dB) | Pre-amplifier (dB) | Correction Factor (dB/m) |
| 4804.00         | 50.13                   | PK | 74.00          | 23.87       | 45.62            | 33.49                 | 6.91              | 35.89              | 4.51                     |
| 4804.00         | --                      | AV | 54.00          | --          | --               | --                    | --                | --                 | --                       |
| 5286.50         | 42.77                   | PK | 74.00          | 31.23       | 35.21            | 34.69                 | 7.23              | 34.36              | 7.56                     |
| 5286.50         | --                      | AV | 54.00          | --          | --               | --                    | --                | --                 | --                       |
| 7206.00         | 48.42                   | PK | 74.00          | 25.58       | 37.32            | 36.95                 | 9.18              | 35.03              | 11.10                    |
| 7206.00         | --                      | AV | 54.00          | --          | --               | --                    | --                | --                 | --                       |

| Frequency(MHz): |                         |    | 2440           |             | Polarity:        |                       |                   | HORIZONTAL         |                          |
|-----------------|-------------------------|----|----------------|-------------|------------------|-----------------------|-------------------|--------------------|--------------------------|
| Frequency (MHz) | Emission Level (dBuV/m) |    | Limit (dBuV/m) | Margin (dB) | Raw Value (dBuV) | Antenna Factor (dB/m) | Cable Factor (dB) | Pre-amplifier (dB) | Correction Factor (dB/m) |
| 4880.00         | 50.14                   | PK | 74.00          | 23.86       | 43.89            | 33.60                 | 6.95              | 34.30              | 6.25                     |
| 4880.00         | --                      | AV | 54.00          | --          | --               | --                    | --                | --                 | --                       |
| 5310.75         | 43.29                   | PK | 74.00          | 30.71       | 35.66            | 34.57                 | 7.16              | 34.10              | 7.63                     |
| 5310.75         | --                      | AV | 54.00          | --          | --               | --                    | --                | --                 | --                       |
| 7320.00         | 48.55                   | PK | 74.00          | 25.45       | 36.86            | 37.46                 | 9.23              | 35.00              | 11.69                    |
| 7320.00         | --                      | AV | 54.00          | --          | --               | --                    | --                | --                 | --                       |

| Frequency(MHz): |                         |    | 2440           |             | Polarity:        |                       |                   | VERTICAL           |                          |
|-----------------|-------------------------|----|----------------|-------------|------------------|-----------------------|-------------------|--------------------|--------------------------|
| Frequency (MHz) | Emission Level (dBuV/m) |    | Limit (dBuV/m) | Margin (dB) | Raw Value (dBuV) | Antenna Factor (dB/m) | Cable Factor (dB) | Pre-amplifier (dB) | Correction Factor (dB/m) |
| 4880.00         | 50.83                   | PK | 74.00          | 23.17       | 44.58            | 33.60                 | 6.95              | 34.30              | 6.25                     |
| 4880.00         | --                      | AV | 54.00          | --          | --               | --                    | --                | --                 | --                       |
| 5310.75         | 42.46                   | PK | 74.00          | 31.54       | 34.82            | 34.58                 | 7.16              | 34.10              | 7.64                     |
| 5310.75         | --                      | AV | 54.00          | --          | --               | --                    | --                | --                 | --                       |
| 7320.00         | 48.04                   | PK | 74.00          | 25.96       | 36.35            | 37.46                 | 9.23              | 35.00              | 11.69                    |
| 7320.00         | --                      | AV | 54.00          | --          | --               | --                    | --                | --                 | --                       |

| Frequency(MHz): |                         |    | 2480           |             | Polarity:        |                       |                   | HORIZONTAL         |                          |
|-----------------|-------------------------|----|----------------|-------------|------------------|-----------------------|-------------------|--------------------|--------------------------|
| Frequency (MHz) | Emission Level (dBuV/m) |    | Limit (dBuV/m) | Margin (dB) | Raw Value (dBuV) | Antenna Factor (dB/m) | Cable Factor (dB) | Pre-amplifier (dB) | Correction Factor (dB/m) |
| 4960.00         | 50.26                   | PK | 74.00          | 23.74       | 45.34            | 33.84                 | 7.00              | 35.92              | 4.92                     |
| 4960.00         | --                      | AV | 54.00          | --          | --               | --                    | --                | --                 | --                       |
| 5325.50         | 42.11                   | PK | 74.00          | 31.89       | 34.57            | 34.67                 | 7.22              | 34.35              | 7.54                     |
| 5325.50         | --                      | AV | 54.00          | --          | --               | --                    | --                | --                 | --                       |
| 7440.00         | 48.63                   | PK | 74.00          | 25.37       | 36.68            | 37.64                 | 9.28              | 34.97              | 11.95                    |
| 7440.00         | --                      | AV | 54.00          | --          | --               | --                    | --                | --                 | --                       |

| Frequency(MHz): |                         |    | 2480           |             | Polarity:        |                       |                   | VERTICAL           |                          |
|-----------------|-------------------------|----|----------------|-------------|------------------|-----------------------|-------------------|--------------------|--------------------------|
| Frequency (MHz) | Emission Level (dBuV/m) |    | Limit (dBuV/m) | Margin (dB) | Raw Value (dBuV) | Antenna Factor (dB/m) | Cable Factor (dB) | Pre-amplifier (dB) | Correction Factor (dB/m) |
| 4960.00         | 49.98                   | PK | 74.00          | 24.02       | 45.06            | 33.84                 | 7.00              | 35.92              | 4.92                     |
| 4960.00         | --                      | AV | 54.00          | --          | --               | --                    | --                | --                 | --                       |
| 5115.25         | 43.01                   | PK | 74.00          | 30.99       | 35.82            | 34.36                 | 7.10              | 34.27              | 7.19                     |
| 5115.25         | --                      | AV | 54.00          | --          | --               | --                    | --                | --                 | --                       |
| 7440.00         | 47.67                   | PK | 74.00          | 26.33       | 35.72            | 37.64                 | 9.28              | 34.97              | 11.95                    |
| 7440.00         | --                      | AV | 54.00          | --          | --               | --                    | --                | --                 | --                       |

## REMARKS:

1. Emission level (dBuV/m) =Raw Value (dBuV)+Correction Factor (dB/m)
2. Correction Factor (dB/m) = Antenna Factor (dB/m)+Cable Factor (dB)-Pre-amplifier Factor
3. Margin value = Limit value- Emission level.
4. -- Mean the PK detector measured value is below average limit.
5. The other emission levels were very low against the limit.
6. RBW1MHz VBW3MHz Peak detector is for PK value; RBW 1MHz VBW10Hz Peak detector is for AV value.

**Results of Band Edges Test (Radiated)**

| Frequency(MHz): |                         |    | 2402           |             | Polarity:        |                       |                   | HORIZONTAL         |                          |
|-----------------|-------------------------|----|----------------|-------------|------------------|-----------------------|-------------------|--------------------|--------------------------|
| Frequency (MHz) | Emission Level (dBuV/m) |    | Limit (dBuV/m) | Margin (dB) | Raw Value (dBuV) | Antenna Factor (dB/m) | Cable Factor (dB) | Pre-amplifier (dB) | Correction Factor (dB/m) |
| 2402.00         | 95.84                   | PK | --             | --          | 62.45            | 28.78                 | 4.61              | 0.00               | 33.39                    |
| 2402.00         | 88.02                   | AV | --             | --          | 54.63            | 28.78                 | 4.61              | 0.00               | 33.39                    |
| 2348.75         | 42.79                   | PK | 74.00          | 31.21       | 9.71             | 28.52                 | 4.56              | 0.00               | 33.08                    |
| 2348.75         | --                      | AV | 54.00          | --          | --               | --                    | --                | --                 | --                       |
| 2390.00         | 44.72                   | PK | 74.00          | 29.28       | 11.40            | 28.72                 | 4.60              | 0.00               | 33.32                    |
| 2390.00         | --                      | AV | 54.00          | --          | --               | --                    | --                | --                 | --                       |
| 2400.00         | 45.65                   | PK | 74.00          | 28.35       | 12.26            | 28.78                 | 4.61              | 0.00               | 33.39                    |
| 2400.00         | --                      | AV | 54.00          | --          | --               | --                    | --                | --                 | --                       |

| Frequency(MHz): |                         |    | 2402           |             | Polarity:        |                       |                   | VERTICAL           |                          |
|-----------------|-------------------------|----|----------------|-------------|------------------|-----------------------|-------------------|--------------------|--------------------------|
| Frequency (MHz) | Emission Level (dBuV/m) |    | Limit (dBuV/m) | Margin (dB) | Raw Value (dBuV) | Antenna Factor (dB/m) | Cable Factor (dB) | Pre-amplifier (dB) | Correction Factor (dB/m) |
| 2402.00         | 96.27                   | PK | --             | --          | 62.88            | 28.78                 | 4.61              | 0                  | 33.39                    |
| 2402.00         | 88.15                   | AV | --             | --          | 54.76            | 28.78                 | 4.61              | 0                  | 33.39                    |
| 2348.75         | 42.63                   | PK | 74             | 31.37       | 9.55             | 28.52                 | 4.56              | 0                  | 33.08                    |
| 2348.75         | --                      | AV | 54             | --          | --               | --                    | --                | --                 | --                       |
| 2390.00         | 45.71                   | PK | 74             | 28.29       | 12.39            | 28.72                 | 4.60              | 0                  | 33.32                    |
| 2390.00         | --                      | AV | 54             | --          | --               | --                    | --                | --                 | --                       |
| 2400.00         | 46.08                   | PK | 74             | 27.92       | 12.69            | 28.78                 | 4.61              | 0                  | 33.39                    |
| 2400.00         | --                      | AV | 54             | --          | --               | --                    | --                | --                 | --                       |

| Frequency(MHz): |                         |    | 2480           |             | Polarity:        |                       |                   | HORIZONTAL         |                          |
|-----------------|-------------------------|----|----------------|-------------|------------------|-----------------------|-------------------|--------------------|--------------------------|
| Frequency (MHz) | Emission Level (dBuV/m) |    | Limit (dBuV/m) | Margin (dB) | Raw Value (dBuV) | Antenna Factor (dB/m) | Cable Factor (dB) | Pre-amplifier (dB) | Correction Factor (dB/m) |
| 2480.00         | 96.17                   | PK | --             | --          | 62.55            | 28.92                 | 4.70              | 0.00               | 33.62                    |
| 2480.00         | 90.02                   | AV | --             | --          | 56.4             | 28.92                 | 4.70              | 0.00               | 33.62                    |
| 2483.50         | 43.44                   | PK | 74             | 30.56       | 9.81             | 28.93                 | 4.70              | 0.00               | 33.63                    |
| 2483.50         | --                      | AV | 54             | --          | --               | --                    | --                | --                 | --                       |
| 2489.15         | 42.06                   | PK | 74             | 31.94       | 8.4              | 28.95                 | 4.71              | 0.00               | 33.66                    |
| 2489.15         | --                      | AV | 54             | --          | --               | --                    | --                | --                 | --                       |
| 2500.00         | 46.21                   | PK | 74             | 27.79       | 12.53            | 28.96                 | 4.72              | 0.00               | 33.68                    |
| 2500.00         | --                      | AV | 54             | --          | --               | --                    | --                | --                 | --                       |

| Frequency(MHz): |                         |    | 2480           |             | Polarity:        |                       |                   | VERTICAL           |                          |
|-----------------|-------------------------|----|----------------|-------------|------------------|-----------------------|-------------------|--------------------|--------------------------|
| Frequency (MHz) | Emission Level (dBuV/m) |    | Limit (dBuV/m) | Margin (dB) | Raw Value (dBuV) | Antenna Factor (dB/m) | Cable Factor (dB) | Pre-amplifier (dB) | Correction Factor (dB/m) |
| 2480.00         | 95.08                   | PK | --             | --          | 61.46            | 28.92                 | 4.70              | 0.00               | 33.62                    |
| 2480.00         | 89.13                   | AV | --             | --          | 55.51            | 28.92                 | 4.70              | 0.00               | 33.62                    |
| 2483.50         | 42.40                   | PK | 74             | 31.60       | 8.77             | 28.93                 | 4.70              | 0.00               | 33.63                    |
| 2483.50         | --                      | AV | 54             | --          | --               | --                    | --                | --                 | --                       |
| 2489.15         | 42.09                   | PK | 74             | 31.91       | 8.43             | 28.95                 | 4.71              | 0.00               | 33.66                    |
| 2489.15         | --                      | AV | 54             | --          | --               | --                    | --                | --                 | --                       |
| 2500.00         | 46.04                   | PK | 74             | 27.96       | 12.36            | 28.96                 | 4.72              | 0.00               | 33.68                    |
| 2500.00         | --                      | AV | 54             | --          | --               | --                    | --                | --                 | --                       |

## REMARKS:

1. Emission level (dBuV/m) =Raw Value (dBuV)+Correction Factor (dB/m)
2. Correction Factor (dB/m) = Antenna Factor (dB/m)+Cable Factor (dB)-Pre-amplifier Factor
3. Margin value = Limit value- Emission level.
4. -- Mean the PK detector measured value is below average limit.
5. The other emission levels were very low against the limit.
6. RBW1MHz VBW3MHz Peak detector is for PK value; RBW 1MHz VBW10Hz Peak detector is for AV value.
7. For fundamental frequency, RBW 3MHz VBW 3MHz Peak detector is for PK Value; RMS detector is for AV value.





### 3.3. Test Setup Photos of the EUT

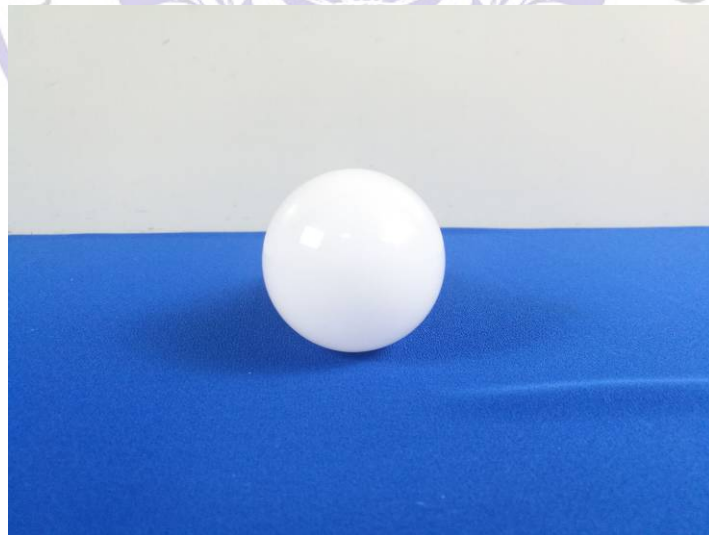




## 4. External and Internal Photos of the EUT

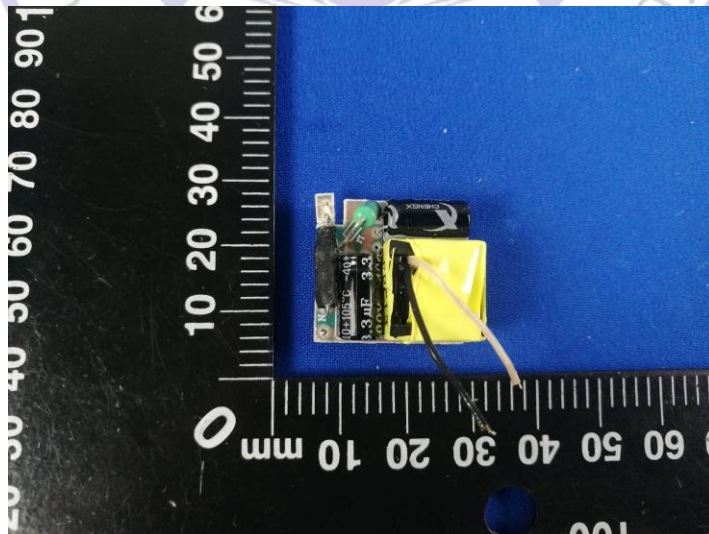
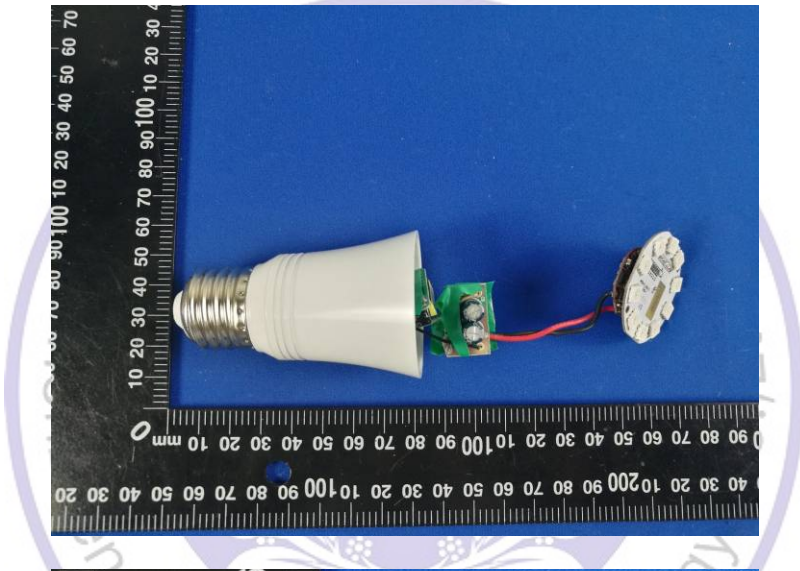
### External photos



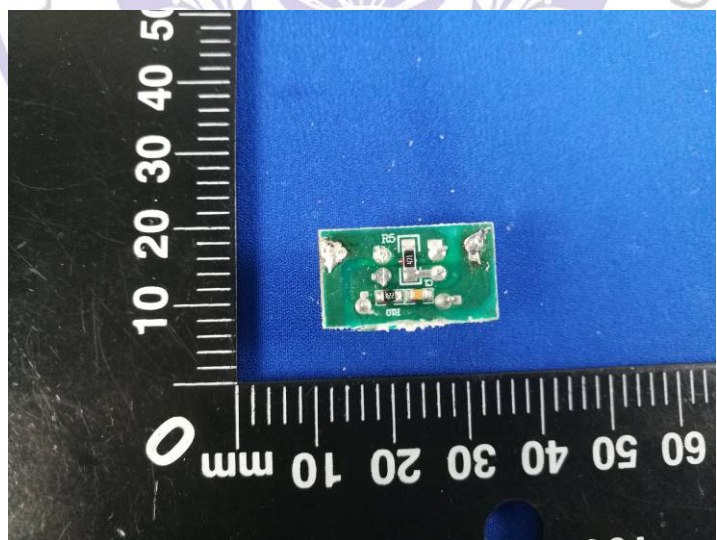
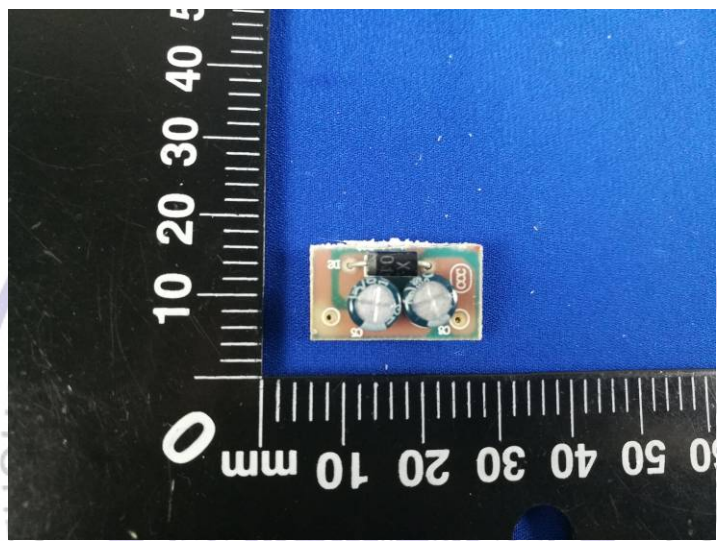
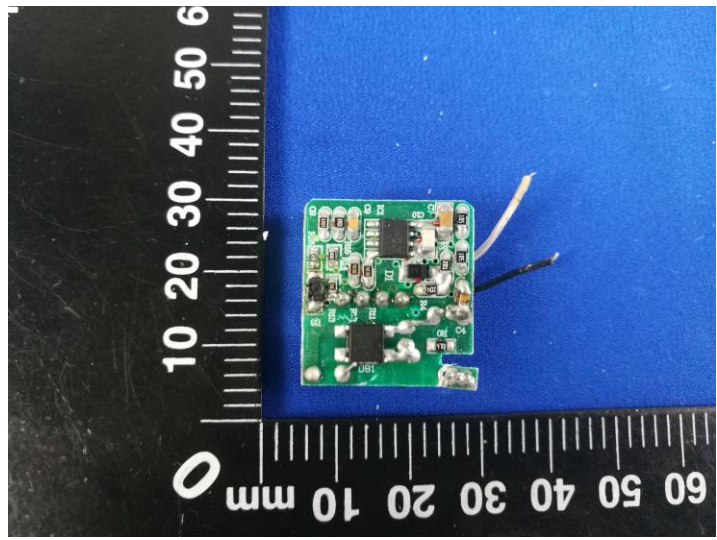


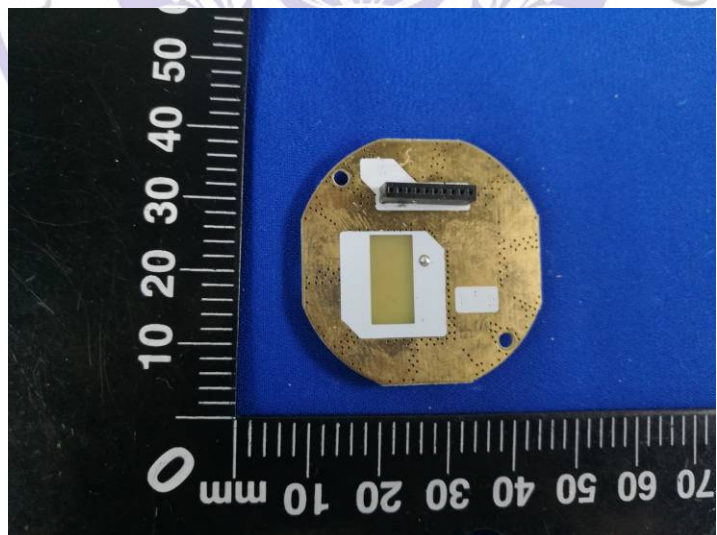
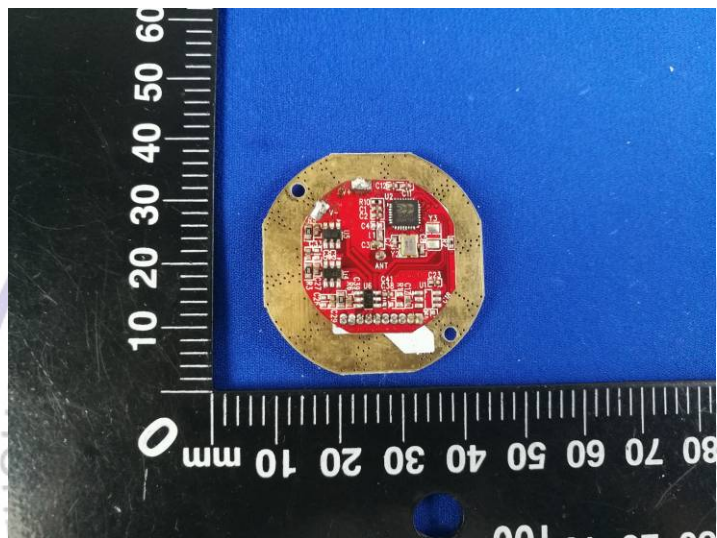
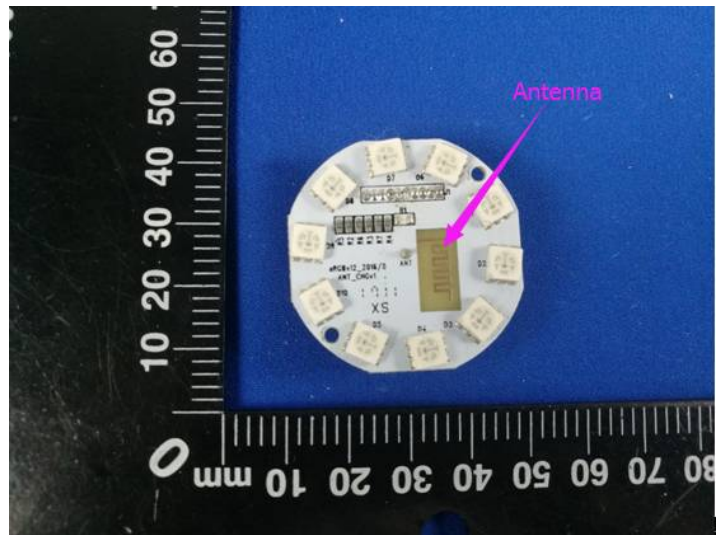


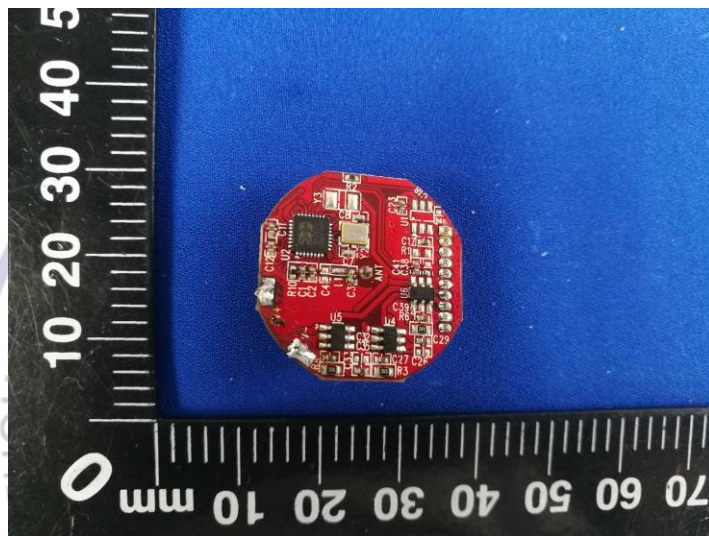
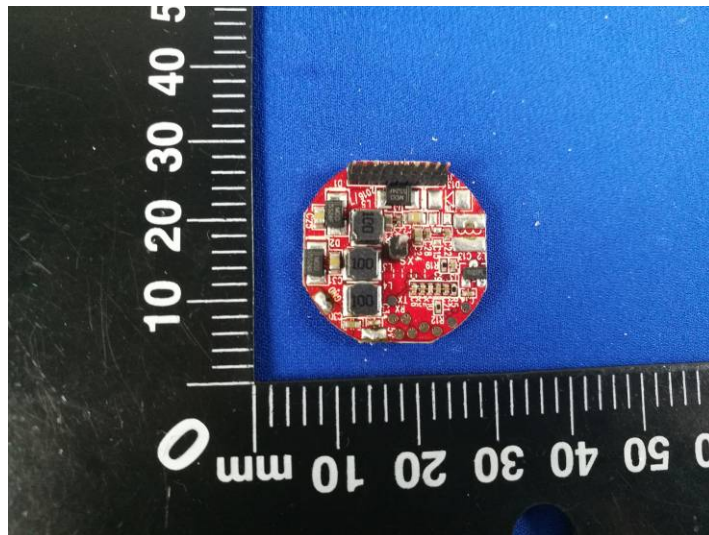
Internal photos











\*\*\*\*\* End of Report \*\*\*\*\*

