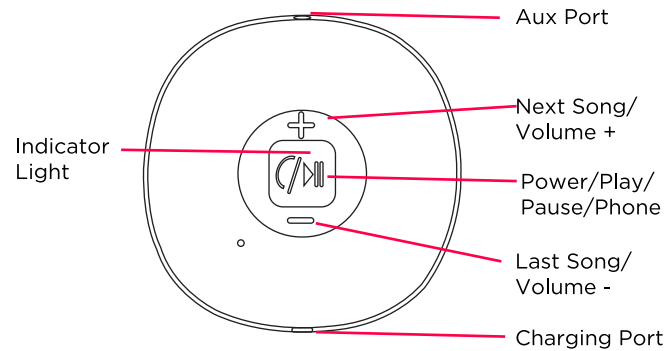


Thank you for purchasing the Vivitar Bluetooth Audio Receiver, item ES24-AR-TA. Use your receiver to make any aux device Bluetooth compatible . For best results, read this manual before using your receiver.

## Contents

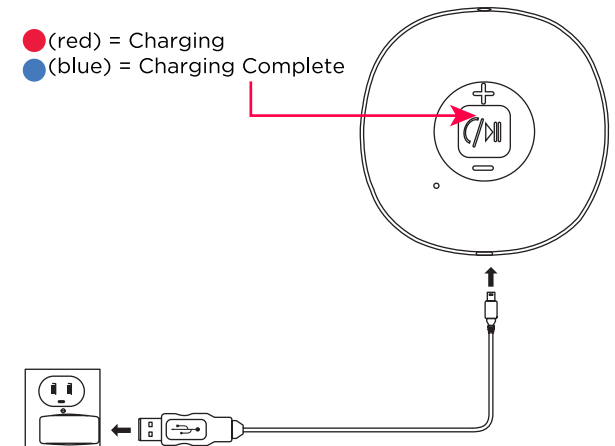
- Bluetooth Aux Receiver
- USB-C Charging Cable
- 3.5MM MALE-TO-MALE Connector
- User Manual

## A Quick Look



## Charging

Use the included USB-C charging cable to charge your receiver.

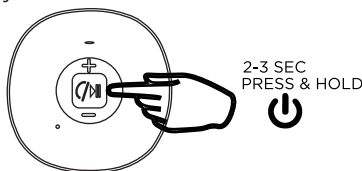


## Setup

1. Connect one end of the included 3.5MM MALE-TO-MALE Connector into the Aux Port on your receiver.
2. Connect the other end of the 3.5MM MALE-TO-MALE Connector to the auxilliary Out port or headphone jack of your speaker or audio device.

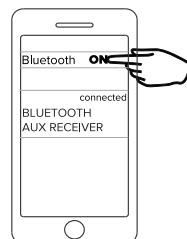
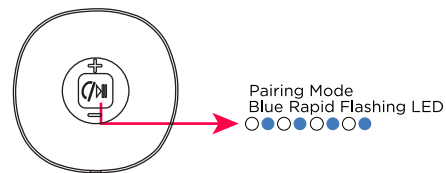
NOTE: If your speaker/audio device has an attached 3.5MM audio cable, insert it directly into the receiver's Aux port. The 3.5mm male to male connector is universal . Please adjust the insertion depth of the connector into the aux port to achieve the best sound quality.

3. Press and hold the receiver's Power button to power it on.



## Bluetooth Pairing

Once your receiver is powered on, it will go into Bluetooth pairing mode.



Make sure that your phone's Bluetooth is turned on and connect with the device labeled "Bluetooth Aux Receiver".

Once paired the LED Indicator Light will very slowly flash blue.

## Using Your Receiver

### Listening to Music

Last Track: Press the Last Song/Volume - Button  
Next Track: Press the Next Song/Volume + Button

Volume Down: Press & Hold the Last Song/Volume - Button  
Volume Up: Press & Hold the Next Song/Volume + Button

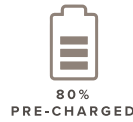
Play/Pause: Press the Power/Play/Pause/Phone Button  
Power On/Off: Press & Hold the Power/Play/Pause/Phone Button

### Handling Calls

Answer a Call: Press the Power/Play/Pause/Phone Button

Reject a Call: Press & Hold the Power/Play/Pause/Phone Button

End a Call: Press the Power/Play/Pause/Phone Button



## Specifications

**Input:** DC 5V=150mA  
**Battery:** Rechargeable Li-ion battery, 200mAh 3.7V  
**Bluetooth Range:** Approximately 10 meters (33 feet)

## Safety Precautions

When using your Bluetooth Aux Receiver, basic safety precautions should always be followed, including the following:

1. READ ALL INSTRUCTIONS BEFORE USING YOUR RECEIVER.
2. Never expose your receiver to high temperatures, extreme cold, high humidity or any moisture or water.
3. In order to avoid the risk of electric shock, never attempt to open your receiver or repair it without the assistance of certified professionals.
4. Your receiver is not to be used by children or the infirm without suitable adult supervision.
5. Always press all buttons carefully. Do not manhandle your receiver.
6. Do not use your receiver at temperatures under 32°F (0°C) or over 104°F (40°C).
7. Do not drop your receiver, throw it, or subject it to strong impacts or physical trauma.
8. If you detect any abnormalities when using your receiver, contact the manufacturer for support. In addition, do not continue to use your receiver if you detect any smoke or fire.
9. Unplug your receiver when not in use for extended periods of time.
10. When charging, do not place your receiver on flammable materials such as rugs, carpets or bedding.
11. Please recycle or dispose of your receiver properly based on the laws and rules of your municipality. Contact local recycling facilities and/or the manufacturer of for further information.
12. Clean your receiver using a soft cloth or paper towel. Do not use harsh chemicals when cleaning your receiver, and never submerge your clock in water.

## Battery Warning



-The device is equipped with an integrated rechargeable battery. The battery cannot be replaced. Do not attempt to remove the battery from the device.

- Do not dispose of in fire or expose to excessive heat.
- Do not crush, puncture, incinerate, or short circuit external contacts.
- Please recycle or dispose of the battery properly. Contact your local recycling facilities and/or the manufacturer for further information.

## Warranty

This warranty covers the original consumer purchaser only and is not transferable.

This warranty covers products that fail to function properly UNDER NORMAL USAGE, due to defects in material or workmanship. Your product will be repaired or replaced at no charge for parts or labor for a period of one year.

### What Is Not Covered by Warranty

Damages or malfunctions not resulting from defects in material or workmanship and damages or malfunctions from other than normal use, including but limited to, repair by unauthorized parties, tampering, modification or accident.

To Obtain Warranty Service and Troubleshooting Information:  
Call 1-800-592-9541 or visit our website at [www.vivitar.com](http://www.vivitar.com).

To receive Warranty service along with the name and address of an authorized product service center, the original consumer purchaser must contact us for problem determination and service procedures. Proof of purchase in the form of a bill of sale or receipted invoice, evidencing that the product is within the applicable Warranty period(s), MUST be presented in order to obtain the requested service. It is your responsibility to properly package and send any defective products along with a dated copy of proof of purchase, a written explanation of the problem, and a valid return address to the authorized service center at your expense. Do not include any other items or accessories with the defective product. Any products received by the authorized service center that are not covered by warranty will be returned unrepaid.

## FCC Statement

Changes or modifications not expressly approved by the party responsible for compliance could void the user's authority to operate the equipment.

This device complies with Part 15 of the FCC Rules. Operation is subject to the following two conditions: (1) this device may not cause harmful interference, and (2) this device must accept any interference received, including interference that may cause undesired operation.

This equipment has been tested and found to comply with the limits for a Class B digital device, pursuant to Part 15 of the FCC Rules. These limits are designed to provide reasonable protection against harmful interference in a residential installation. This equipment generates, uses and can radiate radio frequency energy and, if not installed and used in accordance with the instructions, may cause harmful interference to radio communications. However, there is no guarantee that interference will not occur in a particular installation.

If this equipment does cause harmful interference to radio or television reception, which can be determined by turning the equipment off and on, the user is encouraged to try to correct the interference by one or more of the following measures:

- Reorient or relocate the receiving antenna.
- Increase the separation between the equipment and receiver.
- Connect the equipment into an outlet on a circuit different from that to which the receiver is connected.
- Consult the dealer or an experienced radio/TV technician for help.
- FCC Radiation Exposure Statement:  
The device has been evaluated to meet general RF exposure requirement.  
The device can be used in the portable exposure condition without restriction.