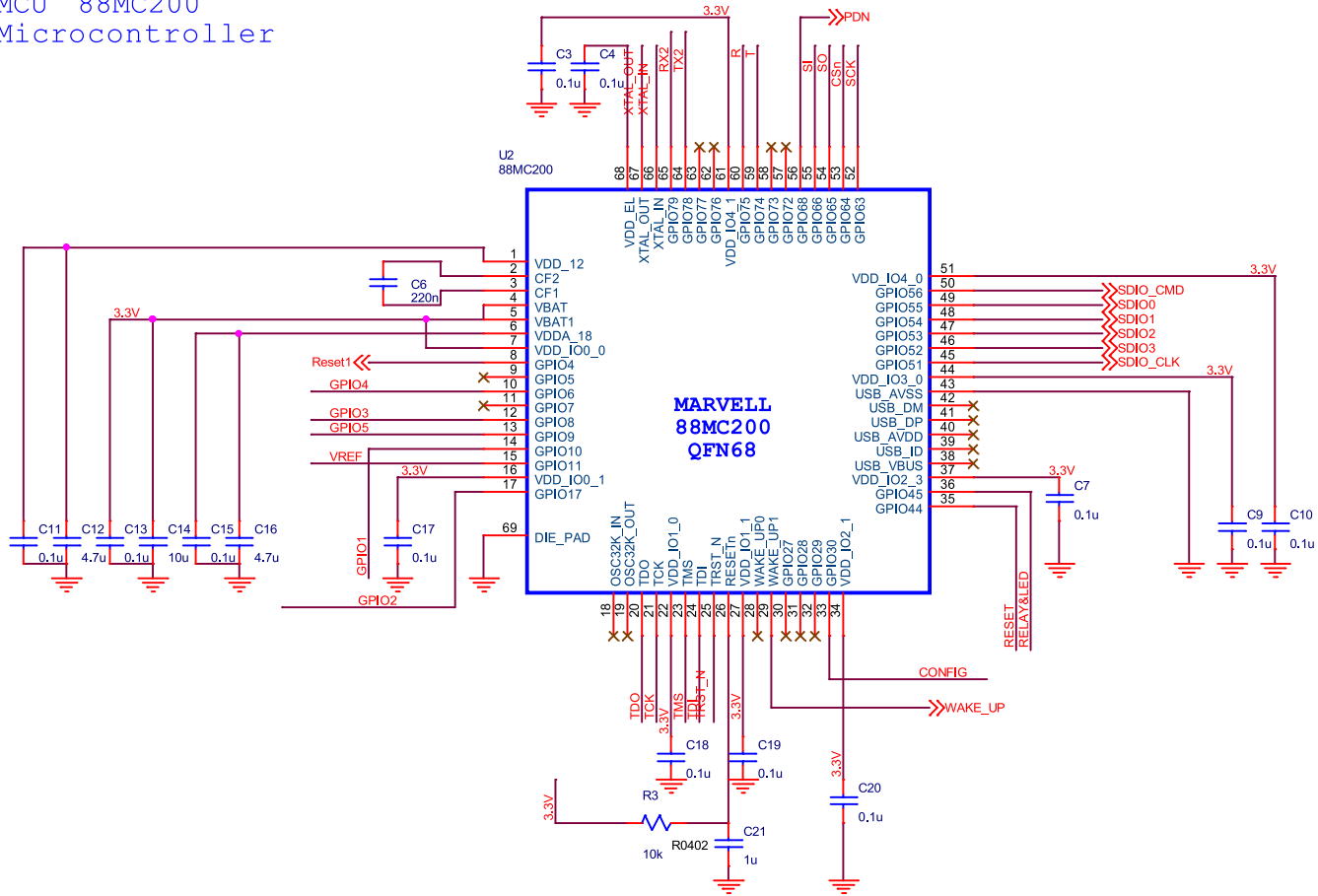
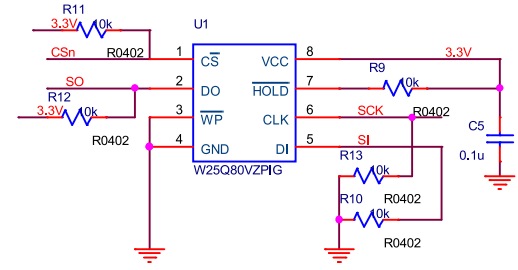


MCU 88MC200
Microcontroller

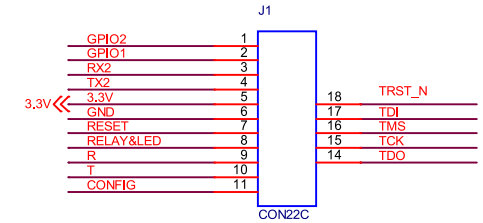
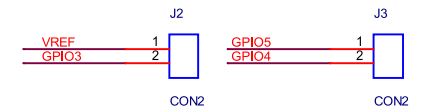


MARVELL
88MC200
QFN68

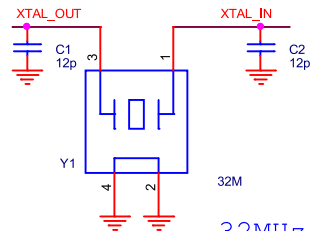
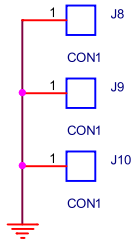
32MHz Crystal



1M Flash
Not soldering

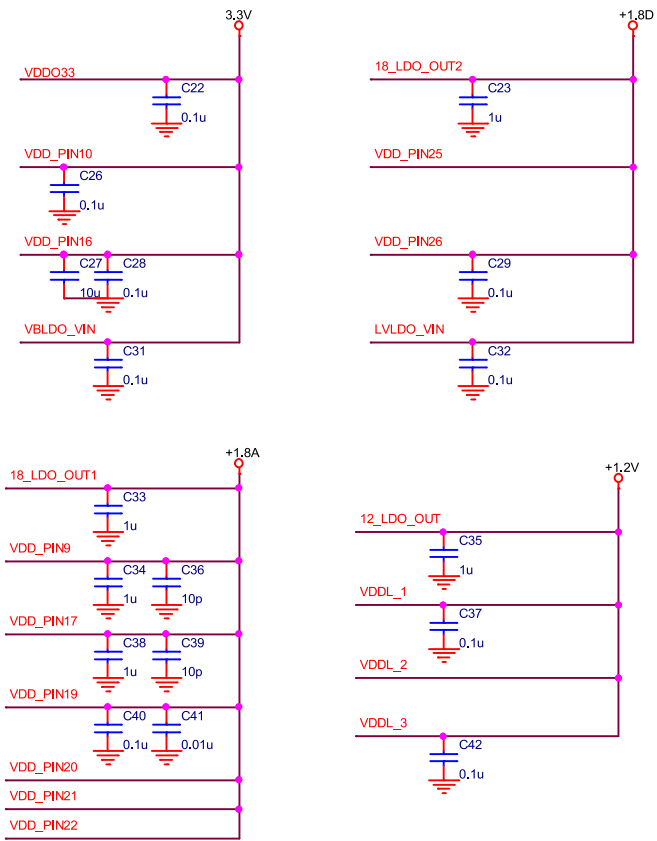


Interface

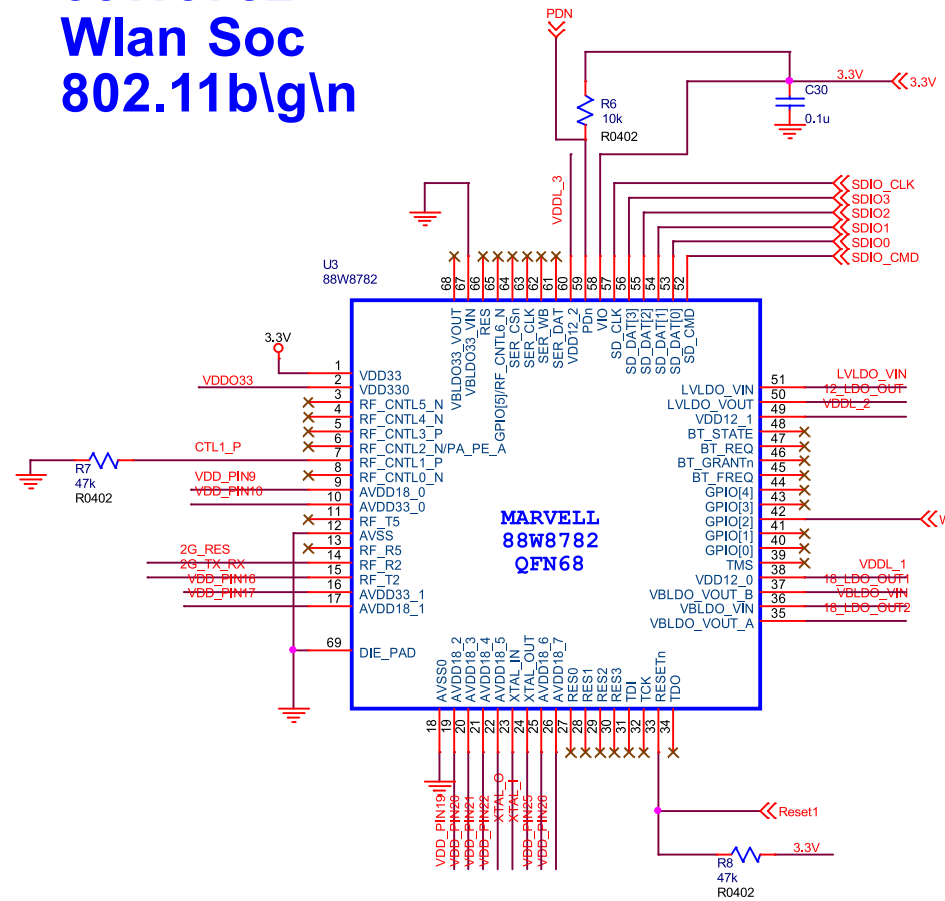


Title		<Title>	
Size	Document	Number	Rev
B	<Doc>		<RevCode>
Date:	Friday, March 21, 2014	Sheet	1 of 2

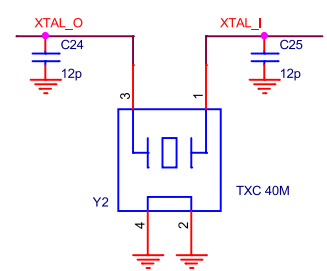
88W8782 Wlan Soc 802.11b/g/n



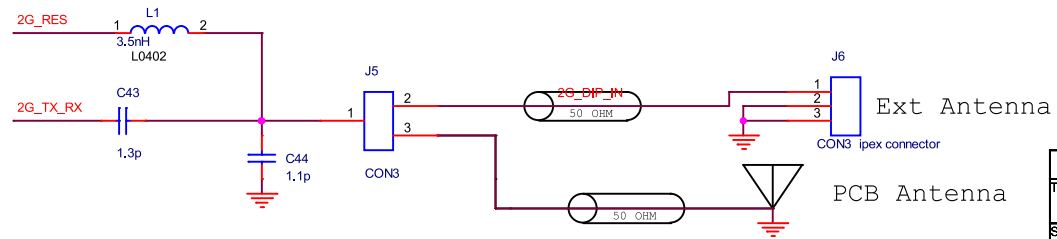
Power



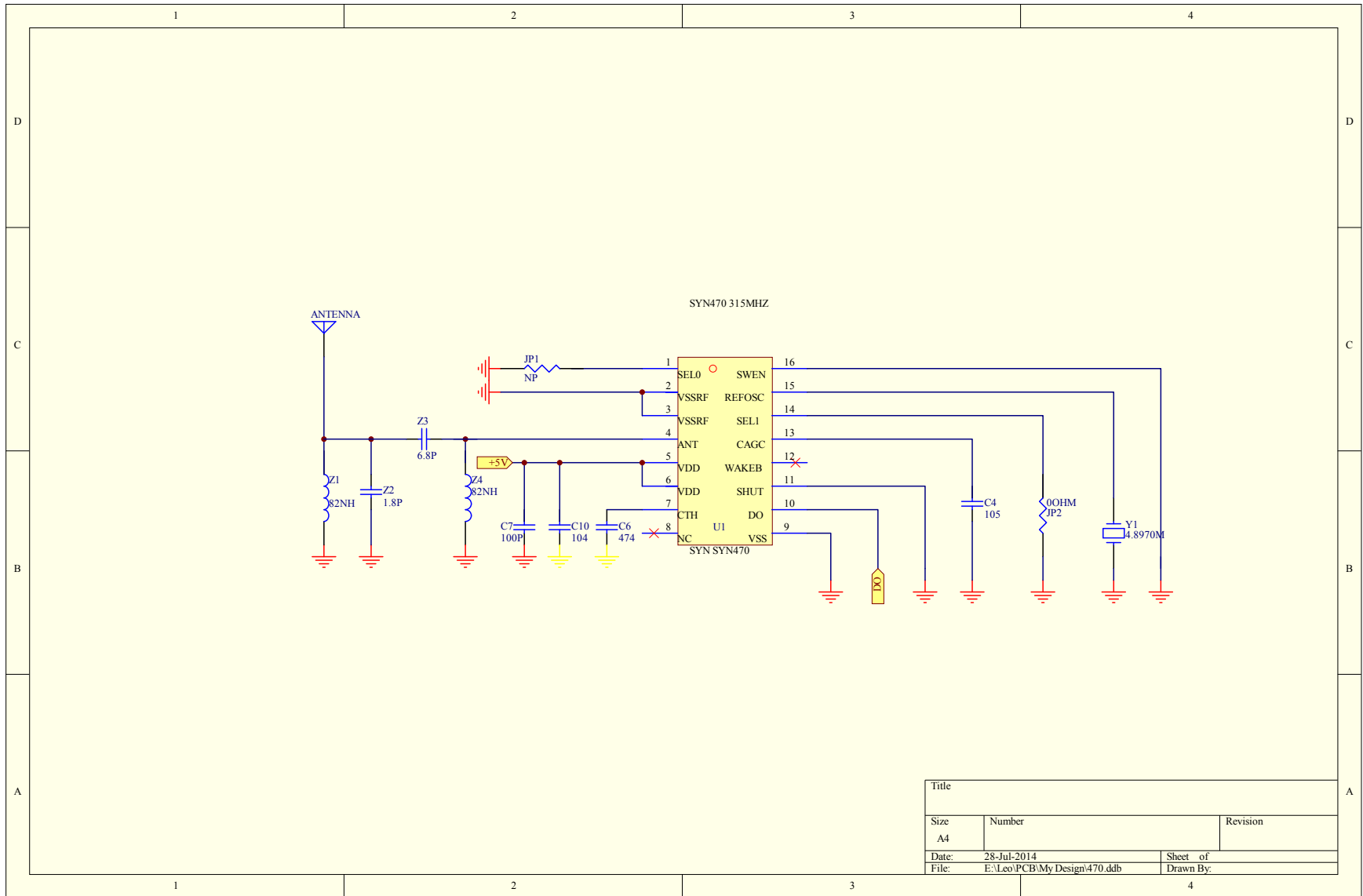
RF route

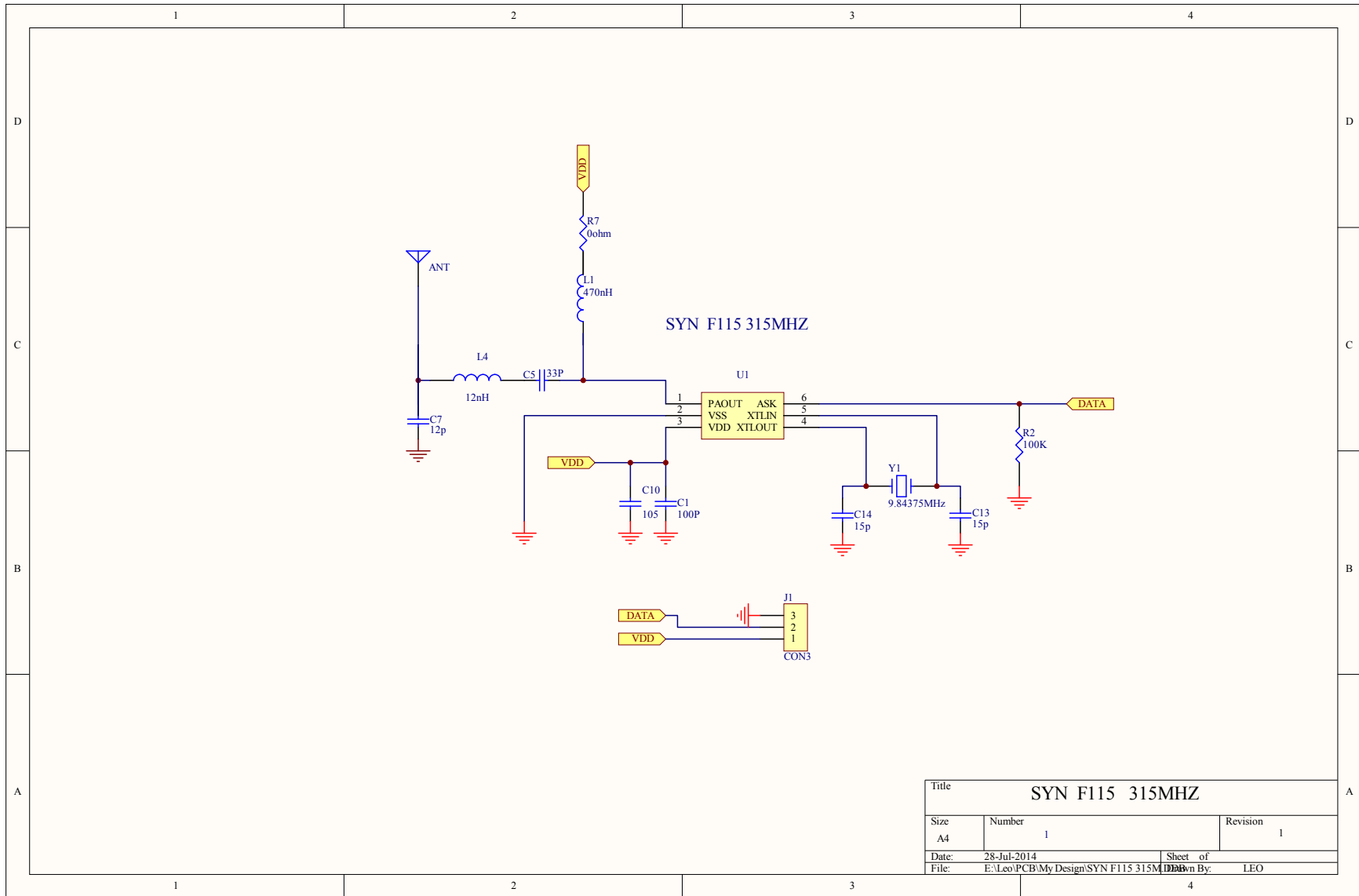


40 MHz Crystal

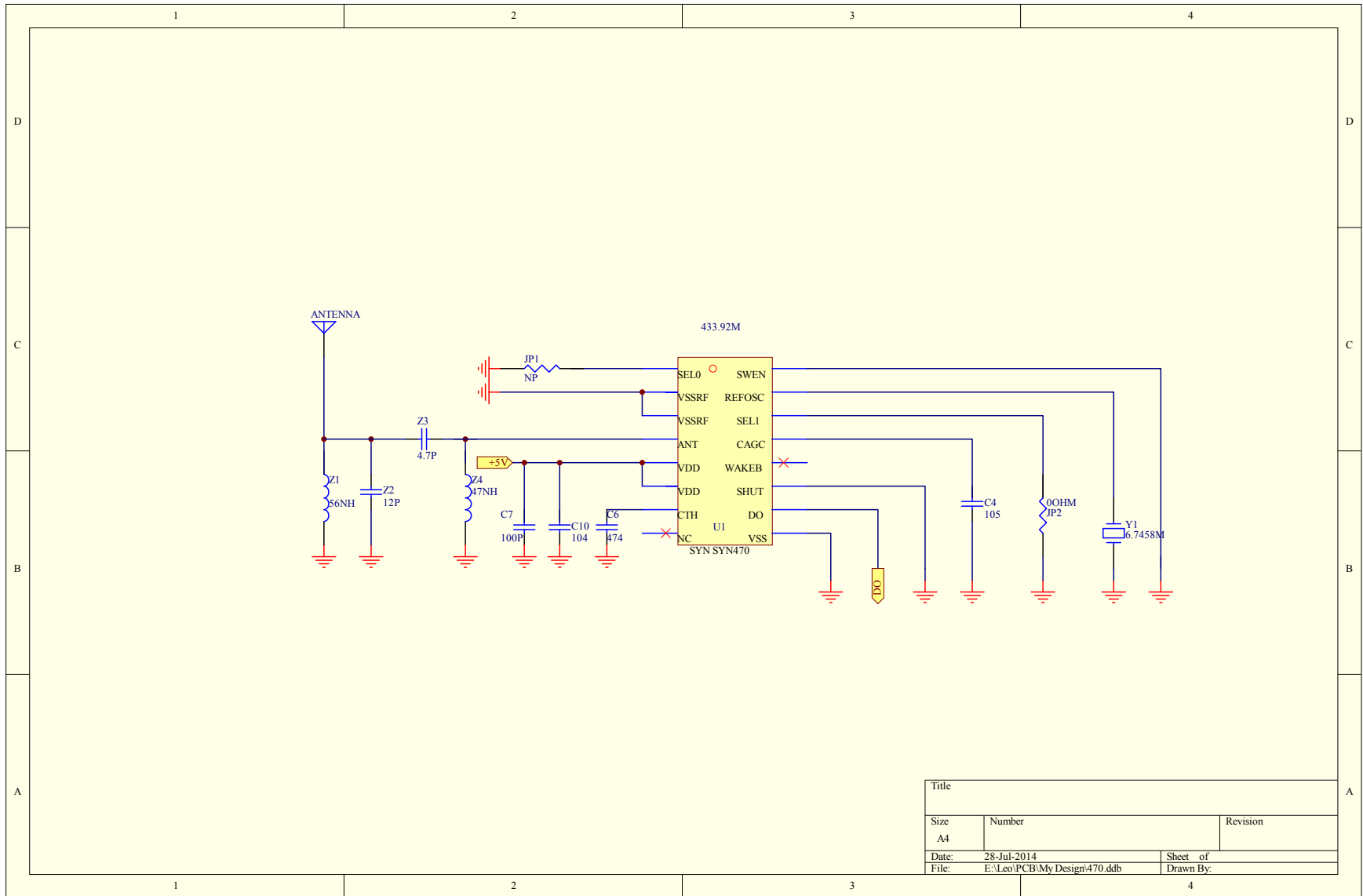


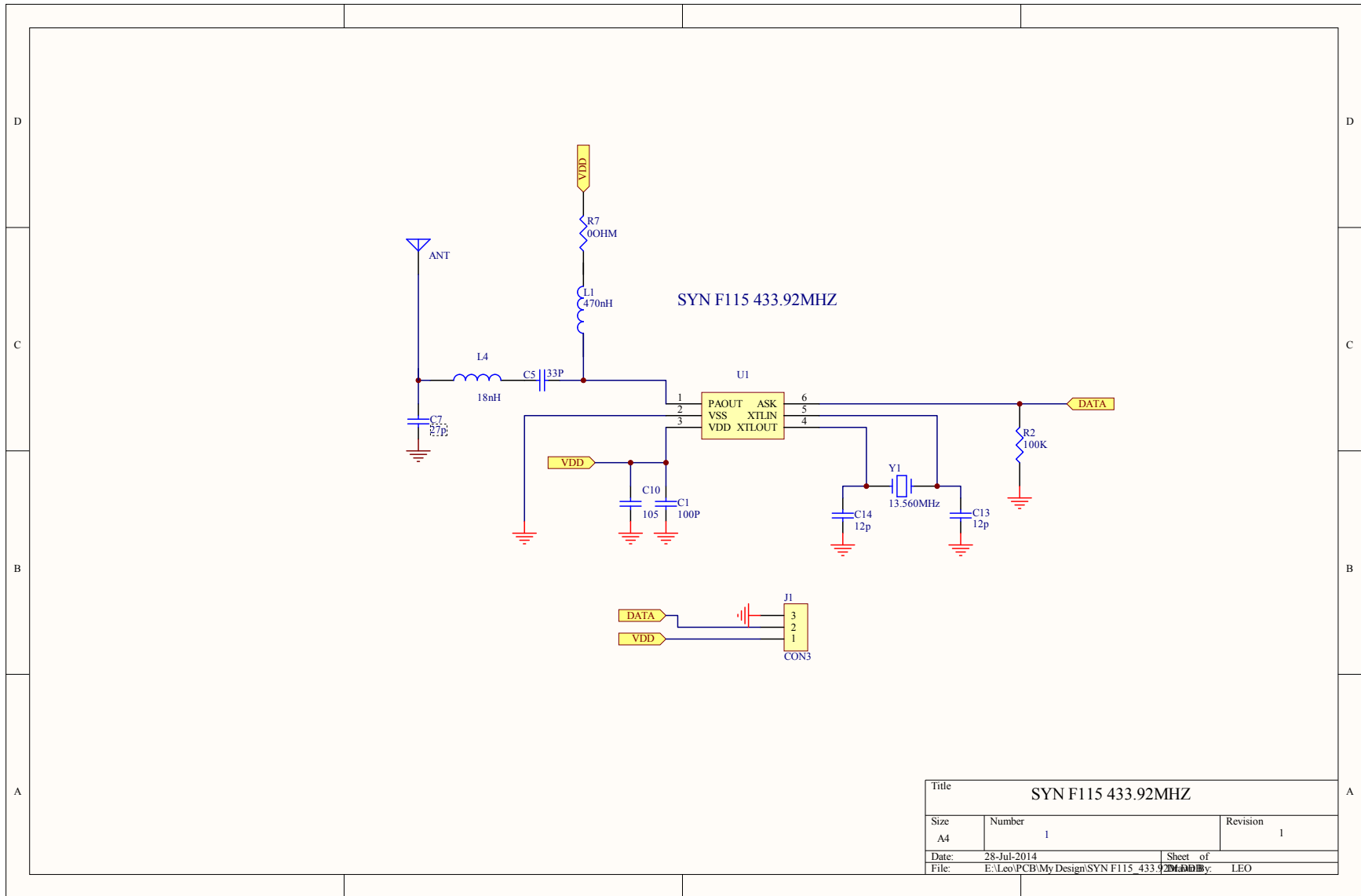
Title		<Title>	
Size	Document	Number	Rev
B	<Doc>		<RevCode>
Date:	Friday, March 21, 2014		Sheet 2 of 2



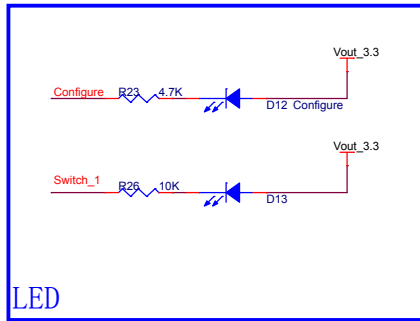


Title			SYN F115 315MHZ		
Size	Number			Revision	
A4	1			1	
Date:	28-Jul-2014	Sheet of			
File:	E:\Leo\PCB\My Design\SYN F115 315MHz	Drawn By:	LEO		

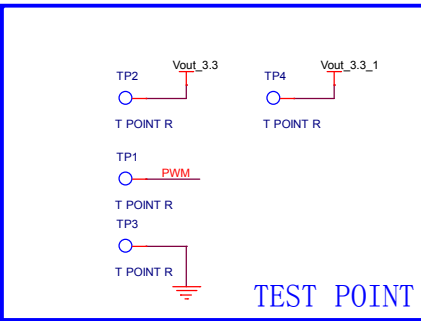
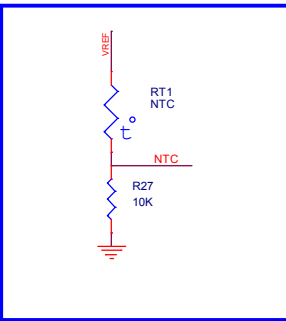




Title			SYN F115 433.92MHZ		
Size	Number			Revision	
A4	1			1	
Date:	28-Jul-2014	Sheet of			
File:	E:\Leo\PCB\My Design\SYN F115_433.92MHZ	Drawn by:	LEO		



LED



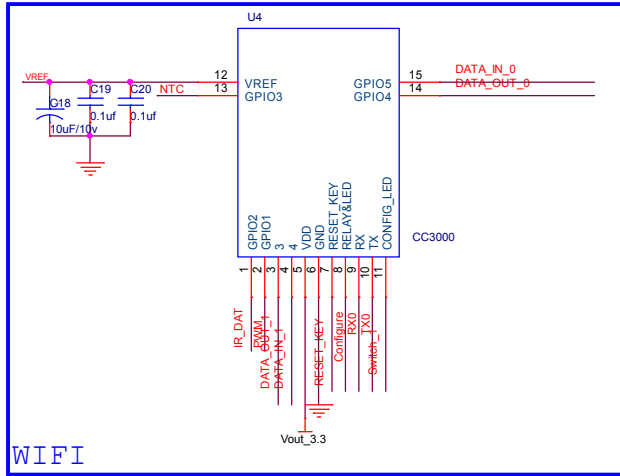
TEST POINT



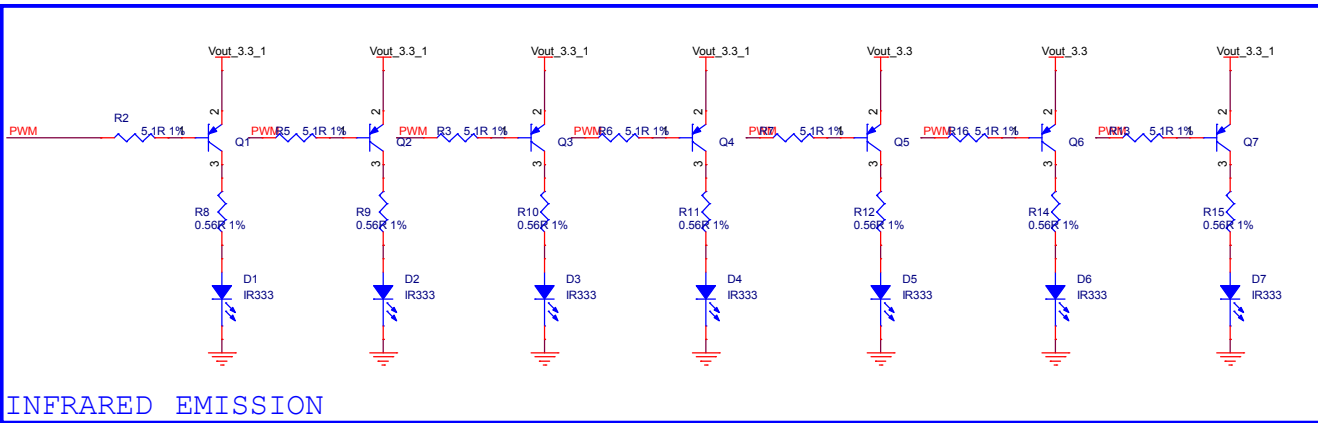
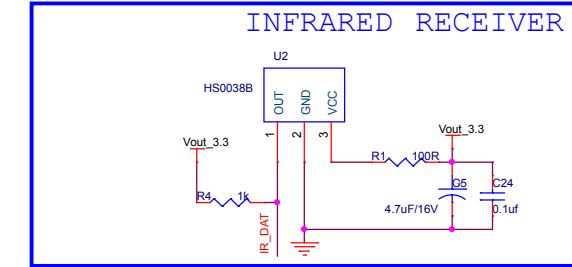
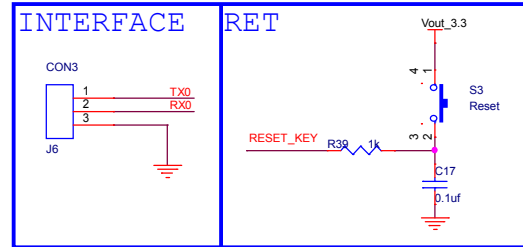
315M



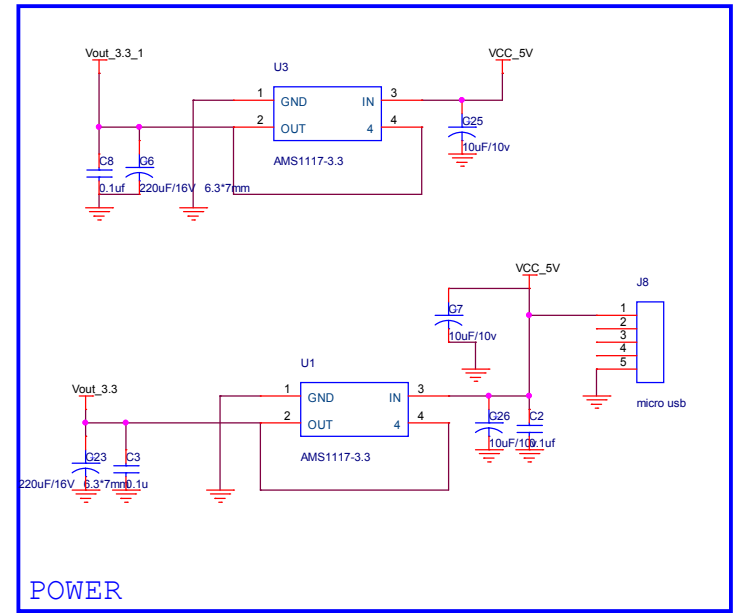
433M



WIFI



INFRARED EMISSION



POWER

Title	<Title>		Rev
Size	Document	Number	<Doc>
Date:	Tuesday, May 13, 2014	Sheet	1 of 1