

HAC_E_Dipole_835

DUT: HAC-Dipole 835 MHz

Communication System: CW; Frequency: 835 MHz; Duty Cycle: 1:1

Medium: Air Medium parameters used: $\sigma = 0$ S/m, $\epsilon_r = 1$; $\rho = 0$ kg/m³

Ambient Temperature : 23.7 °C

DASY5 Configuration

- Probe: EF3DV3 - SN4047; ConvF(1, 1, 1) @ 835 MHz; Calibrated: 2020/1/24

- Sensor-Surface: (Fix Surface)

- Electronics: DAE4 Sn854; Calibrated: 2020/5/26

- Phantom: HAC Test Arch with AMCC; Type: SD HAC P01 BA;

- Measurement SW: DASY52, Version 52.10 (4); SEMCAD X Version 14.6.14 (7483)

E Scan - measurement distance from the probe sensor center to CD835 = 10mm & 15mm/Hearing Aid Compatibility Test at 15mm distance (41x361x1): Interpolated grid:

dx=0.5000 mm, dy=0.5000 mm

Device Reference Point: 0, 0, -6.3 mm

Reference Value = 141.9 V/m; Power Drift = -0.05 dB

PMR not calibrated. PMF = 1.000 is applied.

E-field emissions = 119.1 V/m

Average value of Total=(118.1+119.1) / 2 = 118.6 V/m

PMF scaled E-field

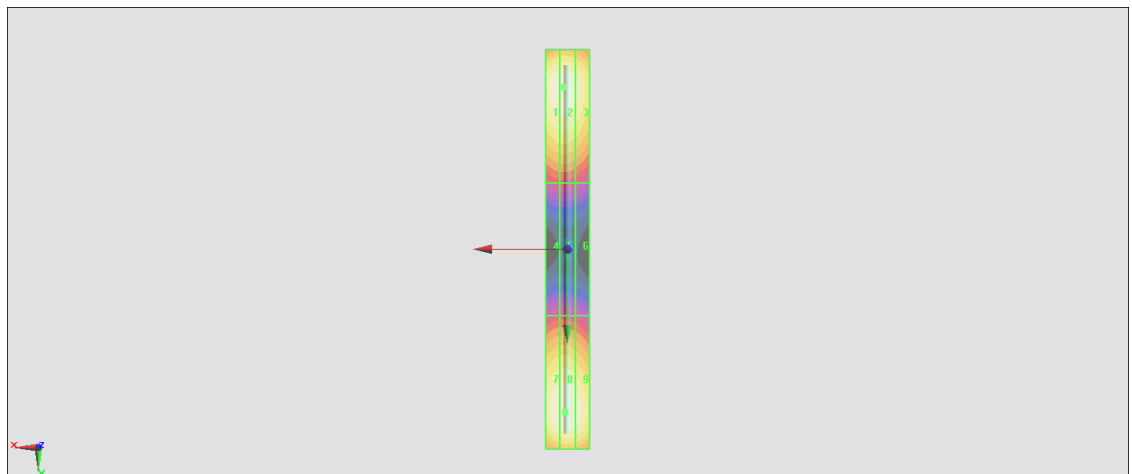
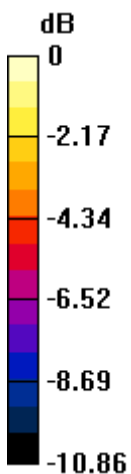
Grid 1 M4 117.8 V/m	Grid 2 M4 118.1 V/m	Grid 3 M4 112.1 V/m
Grid 4 M4 64.45 V/m	Grid 5 M4 64.63 V/m	Grid 6 M4 62.50 V/m
Grid 7 M4 117.8 V/m	Grid 8 M4 119.1 V/m	Grid 9 M4 115.0 V/m

Cursor:

Total = 119.1 V/m

E Category: M4

Location: 1, 73.5, 9.7 mm



0 dB = 119.1 V/m = 41.52 dBV/m

HAC_E_Dipole_1880

DUT: HAC Dipole 1880 MHz

Communication System: CW; Frequency: 1880 MHz; Duty Cycle: 1:1
 Medium: Air Medium parameters used: $\sigma = 0$ S/m, $\epsilon_r = 1$; $\rho = 0$ kg/m³
 Ambient Temperature : 23.7 °C

DASY5 Configuration

- Probe: EF3DV3 - SN4047; ConvF(1, 1, 1) @ 1880 MHz; Calibrated: 2019/1/30
- Sensor-Surface: (Fix Surface)
- Electronics: DAE4 Sn854; Calibrated: 2020/5/26
- Phantom: HAC Test Arch with AMCC; Type: SD HAC P01 BA;
- Measurement SW: DASY52, Version 52.10 (4); SEMCAD X Version 14.6.14 (7483)

E Scan - measurement distance from the probe sensor center to CD1880 = 10mm & 15mm/Hearing Aid Compatibility Test at 15mm distance (41x181x1): Interpolated grid:

dx=0.5000 mm, dy=0.5000 mm

Device Reference Point: 0, 0, -6.3 mm

Reference Value = 152.7 V/m; Power Drift = 0.01 dB

PMR not calibrated. PMF = 1.000 is applied.

E-field emissions = 86.41 V/m

Average value of Total=(86.41+85.68) / 2 = 86.04 V/m

PMF scaled E-field

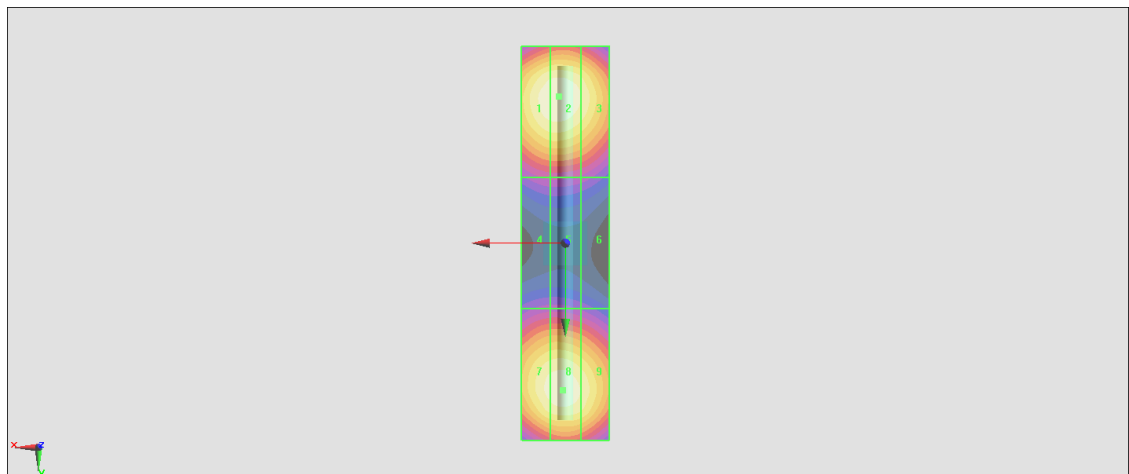
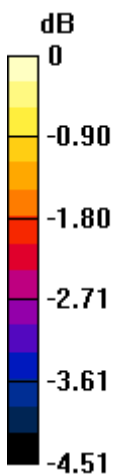
Grid 1 M3 86.05 V/m	Grid 2 M3 86.41 V/m	Grid 3 M3 83.63 V/m
Grid 4 M3 63.99 V/m	Grid 5 M3 64.06 V/m	Grid 6 M4 62.83 V/m
Grid 7 M3 84.74 V/m	Grid 8 M3 85.68 V/m	Grid 9 M3 83.40 V/m

Cursor:

Total = 86.41 V/m

E Category: M3

Location: 1.5, -33.5, 9.7 mm



0 dB = 86.41 V/m = 38.73 dBV/m

HAC_E_Dipole_2450

DUT: HAC Dipole 2450 MHz

Communication System: CW; Frequency: 2450 MHz; Duty Cycle: 1:1
 Medium: Air Medium parameters used: $\sigma = 0$ S/m, $\epsilon_r = 1$; $\rho = 0$ kg/m³
 Ambient Temperature : 23.7 °C

DASY5 Configuration

- Probe: EF3DV3 - SN4047; ConvF(1, 1, 1) @ 2450 MHz; Calibrated: 2020/1/24
- Sensor-Surface: (Fix Surface)
- Electronics: DAE4 Sn854; Calibrated: 2020/5/26
- Phantom: HAC Test Arch with AMCC; Type: SD HAC P01 BA;
- Measurement SW: DASY52, Version 52.10 (4); SEMCAD X Version 14.6.14 (7483)

E Scan - measurement distance from the probe sensor center to CD2450 = 10mm & 15mm/Hearing Aid Compatibility Test at 15mm distance (41x181x1): Interpolated grid:

dx=0.5000 mm, dy=0.5000 mm

Device Reference Point: 0, 0, -6.3 mm

Reference Value = 79.93 V/m; Power Drift = 0.01 dB

PMR not calibrated. PMF = 1.000 is applied.

E-field emissions = 85.49 V/m

Average value of Total=(84.91+85.49) / 2 = 85.2 V/m

PMF scaled E-field

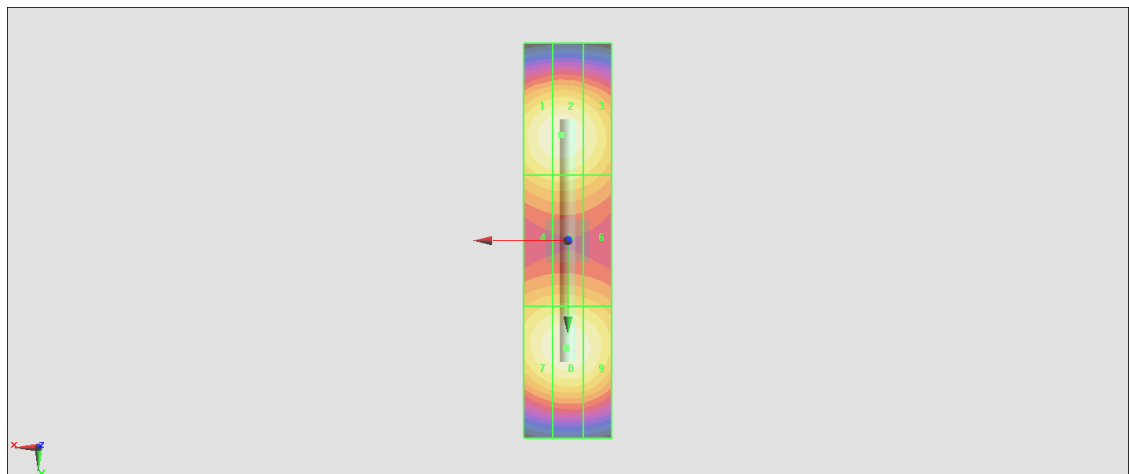
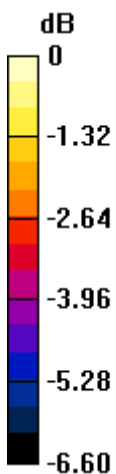
Grid 1 M3 84.56 V/m	Grid 2 M3 84.91 V/m	Grid 3 M3 81.90 V/m
Grid 4 M3 75.60 V/m	Grid 5 M3 75.86 V/m	Grid 6 M3 73.83 V/m
Grid 7 M3 84.16 V/m	Grid 8 M3 85.49 V/m	Grid 9 M3 83.29 V/m

Cursor:

Total = 85.49 V/m

E Category: M3

Location: 0.5, 24.5, 9.7 mm



0 dB = 85.49 V/m = 38.64 dBV/m

HAC_E_Dipole_3500

DUT: HAC Dipole 3500 MHz

Communication System: CW ; Frequency: 3500 MHz; Duty Cycle: 1:1

Medium: Air Medium parameters used: $\sigma = 0$ S/m, $\epsilon_r = 1$; $\rho = 0$ kg/m³

Ambient Temperature : 23.7 °C

DASY5 Configuration

- Probe: EF3DV3 - SN4047; ConvF(1, 1, 1) @ 3500 MHz; Calibrated: 2020/1/24
- Sensor-Surface: (Fix Surface)
- Electronics: DAE4 Sn854; Calibrated: 2020/5/26
- Phantom: HAC Test Arch with AMCC; Type: SD HAC P01 BA;
- Measurement SW: DASY52, Version 52.10 (4); SEMCAD X Version 14.6.14 (7483)

E Scan - measurement distance from the probe sensor center to CD3500 = 10mm & 15mm/Hearing Aid Compatibility Test at 15mm distance (41x121x1): Interpolated grid:

dx=0.5000 mm, dy=0.5000 mm

Device Reference Point: 0, 0, -6.3 mm

Reference Value = 39.57 V/m; Power Drift = 0.09 dB

PMR not calibrated. PMF = 1.000 is applied.

E-field emissions = 91.90 V/m

Average value of Total=(88.06+91.90) / 2 = 89.98 V/m

PMF scaled E-field

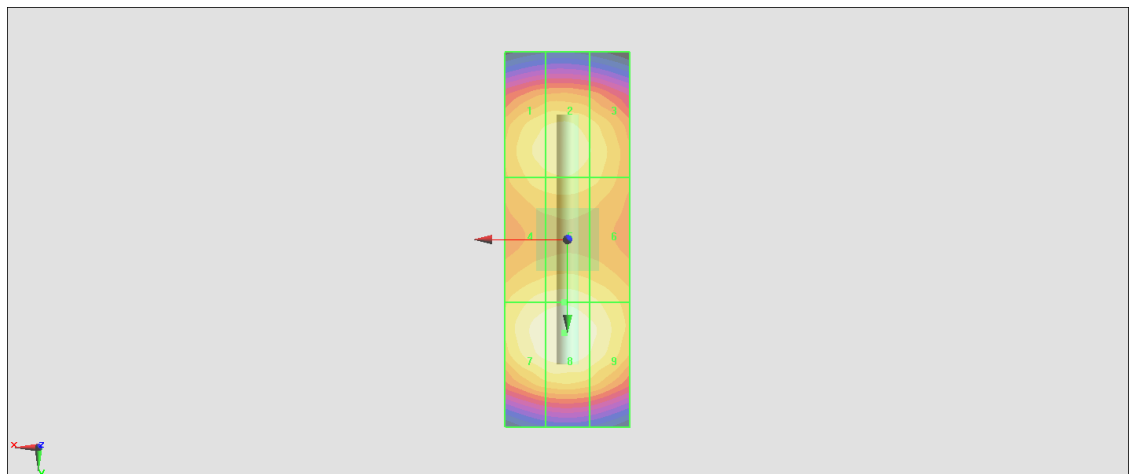
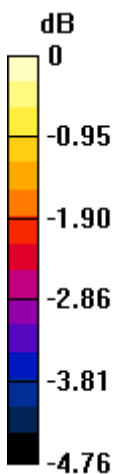
Grid 1 M3 87.04 V/m	Grid 2 M3 88.06 V/m	Grid 3 M3 85.63 V/m
Grid 4 M3 87.36 V/m	Grid 5 M3 88.12 V/m	Grid 6 M3 86.50 V/m
Grid 7 M3 90.95 V/m	Grid 8 M3 91.90 V/m	Grid 9 M3 89.62 V/m

Cursor:

Total = 91.90 V/m

E Category: M3

Location: 0.5, 15, 9.7 mm



0 dB = 91.90 V/m = 39.27 dBV/m

HAC_E_Dipole_5500

DUT: HAC Dipole 5500 MHz

Communication System: CW ; Frequency: 5500 MHz; Duty Cycle: 1:1

Medium: Air Medium parameters used: $\sigma = 0$ S/m, $\epsilon_r = 1$; $\rho = 0$ kg/m³

Ambient Temperature : 23.7 °C

DASY5 Configuration

- Probe: EF3DV3 - SN4047; ConvF(1, 1, 1) @ 5500 MHz; Calibrated: 2020/1/24

- Sensor-Surface: (Fix Surface)

- Electronics: DAE4 Sn854; Calibrated: 2020/5/26

- Phantom: HAC Test Arch with AMCC; Type: SD HAC P01 BA;

- Measurement SW: DASY52, Version 52.10 (4); SEMCAD X Version 14.6.14 (7483)

E Scan - measurement distance from the probe sensor center to CD5500 = 10mm & 15mm/Hearing Aid Compatibility Test at 15mm distance (41x181x1): Interpolated grid:

dx=0.5000 mm, dy=0.5000 mm

Device Reference Point: 0, 0, -6.3 mm

Reference Value = 29.72 V/m; Power Drift = -0.12 dB

PMR not calibrated. PMF = 1.000 is applied.

E-field emissions = 110.8 V/m

Average value of Total=(89.24+94.48) / 2 = 91.86 V/m

PMF scaled E-field

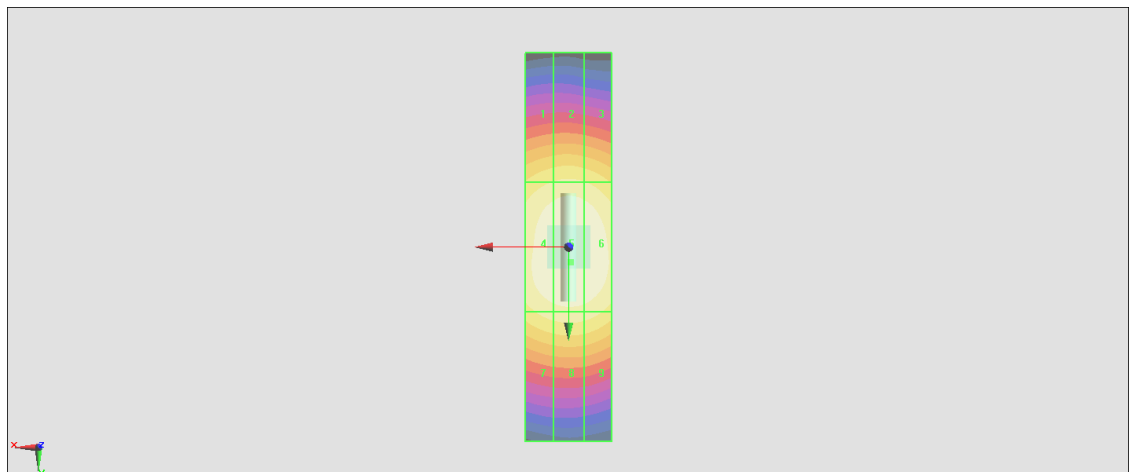
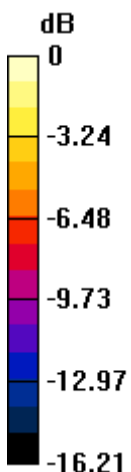
Grid 1 M3 87.18 V/m	Grid 2 M3 89.24 V/m	Grid 3 M3 87.18 V/m
Grid 4 M3 107.7 V/m	Grid 5 M3 110.8 V/m	Grid 6 M3 109.2 V/m
Grid 7 M3 92.65 V/m	Grid 8 M3 94.48 V/m	Grid 9 M3 93.12 V/m

Cursor:

Total = 110.8 V/m

E Category: M3

Location: -0.5, 3.5, 9.7 mm



0 dB = 110.8 V/m = 40.89 dBV/m