



# HAC RF TEST REPORT

No. I20Z61431-SEM02

For

**TCL Communication Ltd.**

**5G NR/ LTE/WCDMA/GSM Mobile Phone**

**Model Name: T790W,T790Z**

With

**Hardware Version: 05**

**Software Version: 6BSQQ100**

**FCC ID: 2ACCJN039**

**Results Summary: M Category = M3**

**Issued Date: 2020-9-18**

**Note:**

The test results in this test report relate only to the devices specified in this report. This report shall not be reproduced except in full without the written approval of CTTL.

The report must not be used by the client to claim product certification, approval, or endorsement by NVLAP, NIST, or any agency of the U.S.Government.

**Test Laboratory:**

**CTTL, Telecommunication Technology Labs, CAICT**

No. 51, Xueyuan Road, Haidian District, Beijing, P. R. China 100191.

Tel:+86(0)10-62304633-2512, Fax:+86(0)10-62304633-2504

Email: [ctl\\_terminals@caict.ac.cn](mailto:ctl_terminals@caict.ac.cn), website: [www.caict.ac.cn](http://www.caict.ac.cn)



No.I20Z61431-SEM02

## **REPORT HISTORY**

<b>Report Number</b>	<b>Revision</b>	<b>Issue Date</b>	<b>Description</b>
I20Z61431-SEM02	Rev.0	2020-9-18	Initial creation of test report

## TABLE OF CONTENT

<b>1 TEST LABORATORY .....</b>	<b>5</b>
1.1 TESTING LOCATION .....	5
1.2 TESTING ENVIRONMENT.....	5
1.3 PROJECT DATA .....	5
1.4 SIGNATURE.....	5
<b>2 CLIENT INFORMATION .....</b>	<b>6</b>
2.1 APPLICANT INFORMATION.....	6
2.2 MANUFACTURER INFORMATION .....	6
<b>3 EQUIPMENT UNDER TEST (EUT) AND ANCILLARY EQUIPMENT (AE) .....</b>	<b>7</b>
3.1 ABOUT EUT.....	7
3.2 INTERNAL IDENTIFICATION OF AE USED DURING THE TEST .....	7
3.3 AIR INTERFACES / BANDS INDICATING OPERATING MODES.....	8
<b>4 MAXIMUM OUTPUT POWER .....</b>	<b>9</b>
<b>5 REFERENCE DOCUMENTS.....</b>	<b>12</b>
5.1 REFERENCE DOCUMENTS FOR TESTING .....	12
<b>6 OPERATIONAL CONDITIONS DURING TEST .....</b>	<b>13</b>
6.1 HAC MEASUREMENT SET-UP.....	13
6.2 PROBE SPECIFICATION.....	14
6.3 TEST ARCH PHANTOM & PHONE POSITIONER.....	15
6.4 ROBOTIC SYSTEM SPECIFICATIONS .....	15
<b>7 EUT ARRANGEMENT .....</b>	<b>16</b>
7.1 WD RF EMISSION MEASUREMENTS REFERENCE AND PLANE .....	16
<b>8 SYSTEM VALIDATION .....</b>	<b>17</b>
8.1 VALIDATION PROCEDURE.....	17
8.2 VALIDATION RESULT .....	17
<b>9 EVALUATION OF MIF .....</b>	<b>18</b>
9.1 INTRODUCTION.....	18
9.2 MIF MEASUREMENT WITH THE AIA .....	19
9.3 TEST EQUIPMENT FOR THE MIF MEASUREMENT .....	19
9.4 TEST SIGNAL VALIDATION.....	19
9.5 DUT MIF RESULTS.....	20
<b>10 EVALUATION FOR LOW-POWER EXEMPTION .....</b>	<b>21</b>
10.1 PRODUCT TESTING THRESHOLD .....	21
10.2 CONDUCTED POWER.....	21
10.3 CONCLUSION.....	22
<b>11 RF TEST PROCEDURES.....</b>	<b>23</b>



**12 MEASUREMENT RESULTS (E-FIELD)..... 24**

**13 ANSIC 63.19-2011 LIMITS ..... 25**

**14 MEASUREMENT UNCERTAINTY ..... 26**

**15 MAIN TEST INSTRUMENTS..... 27**

**16 CONCLUSION ..... 27**

**ANNEX A TEST LAYOUT ..... 28**

**ANNEX B TEST PLOTS ..... 29**

**ANNEX C SYSTEM VALIDATION RESULT..... 45**

**ANNEX D PROBE CALIBRATION CERTIFICATE ..... 49**

**ANNEX E DIPOLE CALIBRATION CERTIFICATE..... 58**

## 1 Test Laboratory

### 1.1 Testing Location

CompanyName:	CTTL(Shouxiang)
Address:	No. 51 Shouxiang Science Building, Xueyuan Road, Haidian District, Beijing, P. R. China100191

### 1.2 Testing Environment

Temperature:	18°C~25°C,
Relative humidity:	30%~ 70%
Ground system resistance:	< 0.5 $\Omega$
Ambient noise is checked and found very low and in compliance with requirement of standards. Reflection of surrounding objects is minimized and in compliance with requirement of standards.	

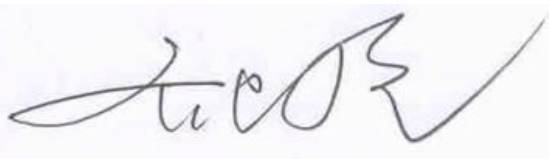
### 1.3 Project Data

Project Leader:	Qi Dianyuan
Test Engineer:	Lin Hao
Testing Start Date:	June 1, 2020
Testing End Date:	June 2, 2020

### 1.4 Signature



Lin Xiaojun  
(Prepared this test report)



Qi Dianyuan  
(Reviewed this test report)



Lu Bingsong  
Deputy Director of the laboratory  
(Approved this test report)



## 2 Client Information

### 2.1 Applicant Information

Company Name:	TCL Communication Ltd.
Address/Post:	5/F, Building 22E, 22 Science Park East Avenue, Hong Kong Science Park, Shatin, NT, Hong Kong
Contact Person:	Gong Zhizhou
Contact Email:	zhizhou.gong@tcl.com
Telephone:	0086-755-36611722
Fax	0086-755-36612000-81722

### 2.2 Manufacturer Information

Company Name:	TCL Communication Ltd.
Address/Post:	5/F, Building 22E, 22 Science Park East Avenue, Hong Kong Science Park, Shatin, NT, Hong Kong
Contact Person:	Gong Zhizhou
Contact Email:	zhizhou.gong@tcl.com
Telephone:	0086-755-36611722
Fax	0086-755-36612000-81722

### 3 Equipment Under Test (EUT) and Ancillary Equipment (AE)

This EUT is a variant product and the report of original sample is No.I20Z60764-SEM01. The variant product shares the result of original sample

#### 3.1 About EUT

Description:	5G NR/ LTE/WCDMA/GSM Mobile Phone
Model name:	T790W,T790Z
Operating mode(s):	GSM 850/900/1800/1900, UMTS FDD 1/2/4/5/8, CDMA BC0/1/10,BT, Wi-Fi, LTE Band 1/2/3/4/5/7/8/12/13/20/25/26/28/38/39/40/41/46/66/71, 5G NR n2/n25/n66/n71/n41

#### 3.2 Internal Identification of AE used during the test

AE ID*	Description	Model	SN	Manufacturer
AE1	Battery	TLp043E1	/	BYD

\*AE ID: is used to identify the test sample in the lab internally.

### 3.3 Air Interfaces / Bands Indicating Operating Modes

Air-interface	Band(MHz)	Type	C63.19/tested	Simultaneous Transmissions	Name of Voice Service
GSM	850	VO	Yes	BT, WLAN	CMRS Voice
	1900				
GPRS/EDGE	850	DT	Yes		Google duo
	1900				
WCDMA (UMTS)	850	VO	Yes	BT, WLAN	CMRS Voice
	1700				
	1900	DT	Yes		Google duo
HSPA					
CDMA	BC 0/1/10	VO	Yes	BT, WLAN	CMRS Voice
	EVDO	DT	Yes	BT, WLAN	Google duo
LTE TDD	Band41	V/D	Yes	BT, WLAN	VoLTE, Google duo
LTE FDD	Band7/12/13/25/26/66/71	V/D	Yes	BT, WLAN	VoLTE, Google duo
NR	n2/n25/n66/n71/n41	V/D	Yes	BT, WLAN	Google duo
BT	2450	DT	NA	GSM,WCDMA,CDMA,LTE, NR	NA
WLAN	2450	V/D	Yes	GSM,WCDMA,CDMA,LTE, NR	VoWiFi, Google duo
WLAN	5G	V/D	Yes	GSM,WCDMA,CDMA,LTE, NR	VoWiFi, Google duo

NA: Not Applicable VO: Voice Only V/D: CMRS and IP Voice Service over Digital Transport

DT: Digital Transport

\* HAC Rating was not based on concurrent voice and data modes, Non current mode was found to represent worst case rating for both M and T rating

Note1 = No Associated T-Coil measurement has been made in accordance with 285076 D02 T-Coil testing for CMRS IP



#### 4 Maximum Output Power

<b>GSM 850MHz</b>	<b>Conducted Power (dBm)</b>		
	<b>Channel 251(848.8MHz)</b>	<b>Channel 190(836.6MHz)</b>	<b>Channel 128(824.2MHz)</b>
Voice	33.5	33.5	33.5
EDGE	29	29	29
<b>GSM 1900MHz</b>	<b>Conducted Power(dBm)</b>		
	<b>Channel 810(1909.8MHz)</b>	<b>Channel 661(1880MHz)</b>	<b>Channel 512(1850.2MHz)</b>
Voice	31	31	31
EDGE	27	27	27
<b>WCDMA 850MHz</b>	<b>Conducted Power (dBm)</b>		
	<b>Channel 4233(846.6MHz)</b>	<b>Channel 4182(836.4MHz)</b>	<b>Channel 4132(826.4MHz)</b>
RMC	24.7	24.7	24.7
HSPA	24	24	24
<b>WCDMA 1700MHz</b>	<b>Conducted Power (dBm)</b>		
	<b>Channel 1513 (1752.6MHz)</b>	<b>Channel 1412 (1732.4MHz)</b>	<b>Channel 1312 (1712.4MHz)</b>
RMC	24.7	24.7	24.7
HSPA	24	24	24
<b>WCDMA 1900MHz</b>	<b>Conducted Power (dBm)</b>		
	<b>Channel 9538(1907.6MHz)</b>	<b>Channel 9400(1880MHz)</b>	<b>Channel 9262(1852.4MHz)</b>
RMC	24.2	24.2	24.2
HSPA	23.5	23.5	23.5
<b>CDMA BC0</b>	<b>Conducted Power (dBm)</b>		
	<b>Channel 777 (848.31MHz)</b>	<b>Channel 384 (836.52MHz)</b>	<b>Channel 1013 (824.7MHz)</b>
	25	25	25
<b>CDMA BC1</b>	<b>Conducted Power (dBm)</b>		
	<b>Channel 1175 (1908.75MHz)</b>	<b>Channel 600 (1880MHz)</b>	<b>Channel 25 (1851.25MHz)</b>
	25	25	25
<b>CDMA BC10</b>	<b>Conducted Power (dBm)</b>		
	<b>Channel 684 (832.1MHz)</b>	<b>Channel 580 (820.5MHz)</b>	<b>Channel 476(817.9MHz)</b>
	25	25	25
<b>LTE Band7</b>	<b>Conducted Power (dBm)</b>		
	<b>Channel 21350(2560MHz)</b>	<b>Channel 21100(2535MHz)</b>	<b>Channel20850(2510MHz)</b>
QPSK	23.5	23.5	23.5
16QAM	22.5	22.5	22.5
64QAM	21.5	21.5	21.5
<b>LTE Band12</b>	<b>Conducted Power (dBm)</b>		
	<b>Channel 23130(711MHz)</b>	<b>Channel 23095(707.5MHz)</b>	<b>Channel23060(704MHz)</b>

QPSK	24.7	24.7	24.7
16QAM	23.7	23.7	23.7
64QAM	22.7	22.7	22.7
<b>LTE Band13</b>	<b>Conducted Power (dBm)</b>		
	<b>Channel 23230(782MHz)</b>		
QPSK	24.7		
16QAM	23.7		
64QAM	22.7		
<b>LTE Band25</b>	<b>Conducted Power (dBm)</b>		
	<b>Channel 26590(1905MHz)</b>	<b>Channel 26365(1883MHz)</b>	<b>Channel 26140(1860MHz)</b>
QPSK	24.7	24.7	24.7
16QAM	23.7	23.7	23.7
64QAM	22.7	22.7	22.7
<b>LTE Band26</b>	<b>Conducted Power (dBm)</b>		
	<b>Channel 26965(841.5MHz)</b>	<b>Channel 26865(831.5MHz)</b>	<b>Channel 26775(822.5MHz)</b>
QPSK	24.7	24.7	24.7
16QAM	23.7	23.7	23.7
64QAM	22.7	22.7	22.7
<b>LTE Band41 Power Class 2</b>	<b>Conducted Power (dBm)</b>		
	<b>Channel 41490(2680MHz)</b>	<b>Channel 40620(2593MHz)</b>	<b>Channel 39750(2506MHz)</b>
QPSK	27.7	27.7	27.7
16QAM	26.7	26.7	26.7
64QAM	25.7	25.7	25.7
<b>LTE Band41 Power Class 3</b>	<b>Conducted Power (dBm)</b>		
	<b>Channel 41490(2680MHz)</b>	<b>Channel 40620(2593MHz)</b>	<b>Channel 39750(2506MHz)</b>
QPSK	25	25	25
16QAM	24	24	24
64QAM	23	23	23
<b>LTE Band66</b>	<b>Conducted Power (dBm)</b>		
	<b>Channel 132572(1770MHz)</b>	<b>Channel 132322(1745MHz)</b>	<b>Channel 133072(1720MHz)</b>
QPSK	25	25	25
16QAM	24	24	24
64QAM	23	23	23
<b>LTE Band71</b>	<b>Conducted Power (dBm)</b>		
	<b>Channel 133372(688MHz)</b>	<b>Channel 133322(683MHz)</b>	<b>Channel 133222(673MHz)</b>

QPSK	24.7	24.7	24.7
16QAM	23.7	23.7	23.7
64QAM	22.7	22.7	22.7
<b>2.4GHz 802.11b</b>	<b>Conducted Power (dBm)</b>		
	<b>Channel 11 (2462MHz)</b>	<b>Channel 6 (2437MHz)</b>	<b>Channel 1 (2412MHz)</b>
	23	23	23
<b>5GHz 802.11a</b>	<b>Tune up (dBm)</b>		
	<b>Channel 100 (5500MHz)</b>	<b>Channel 124 (5620MHz)</b>	<b>Channel 144 (5720MHz)</b>
	20.5	20.5	20.5
<b>5G NR N2</b>	<b>Conducted Power (dBm)</b>		
	<b>Channel 380000 (1900MHz)</b>	<b>Channel 376000 (1880MHz)</b>	<b>Channel 372000 (1860MHz)</b>
	24.5	24.5	24.5
<b>5G NR N25</b>	<b>Conducted Power (dBm)</b>		
	<b>Channel 381000 (1905MHz)</b>	<b>Channel 376500 (1882.5MHz)</b>	<b>Channel 372000 (1860MHz)</b>
	24.7	24.7	24.7
<b>5G NR N66</b>	<b>Conducted Power (dBm)</b>		
	<b>Channel 354000 (1770MHz)</b>	<b>Channel 349000 (1745MHz)</b>	<b>Channel 344000 (1720MHz)</b>
	24.5	24.5	24.5
<b>5G NR N71</b>	<b>Conducted Power (dBm)</b>		
	<b>Channel 137600 (688MHz)</b>	<b>Channel 136100 (680.5MHz)</b>	<b>Channel 134600 (673MHz)</b>
	24.5	24.5	24.5
<b>5G NR N41 (PC2)</b>	<b>Conducted Power (dBm)</b>		
	<b>Channel 528000 (2640MHz)</b>	<b>Channel 518598 (2592.99MHz)</b>	<b>Channel 509202 (2546.01MHz)</b>
	27.7	27.7	27.7
<b>5G NR N41 (PC3)</b>	<b>Conducted Power (dBm)</b>		
	<b>Channel 528000 (2640MHz)</b>	<b>Channel 518598 (2592.99MHz)</b>	<b>Channel 509202 (2546.01MHz)</b>
	24.7	24.7	24.7

Note: For LTE Band 41, UL-DL Configuration 1 was used to evaluate Power Class 2 and UL-DL Configuration 1 was used to evaluate Power Class 3.

## 5 Reference Documents

### 5.1 Reference Documents for testing

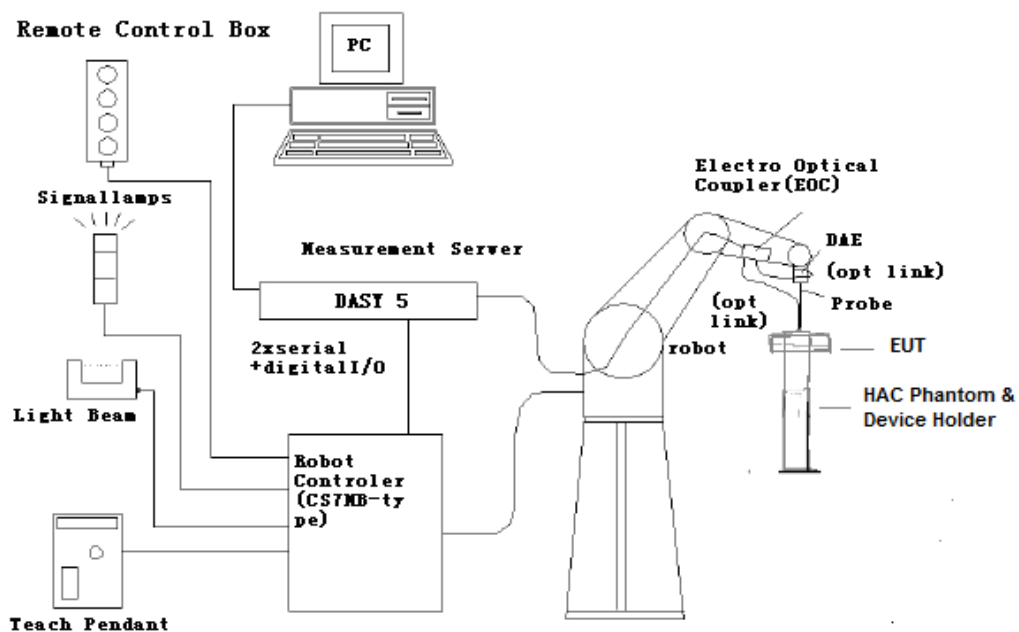
The following document listed in this section is referred for testing.

Reference	Title	Version
ANSI C63.19-2011	American National Standard for Methods of Measurement of Compatibility between Wireless Communication Devices and Hearing Aids	2011 Edition
FCC 47 CFR §20.19	Hearing Aid Compatible Mobile Headsets	2015 Edition
KDB 285076 D01	Equipment Authorization Guidance for Hearing Aid Compatibility	v05r01

## 6 OPERATIONAL CONDITIONS DURING TEST

### 6.1 HAC MEASUREMENT SET-UP

These measurements are performed using the DASY5 NEO automated dosimetric assessment system. It is made by Schmid & Partner Engineering AG (SPEAG) in Zurich, Switzerland. It consists of high precision robotics system (Stäubli), robot controller, Intel Core2 computer, near-field probe, probe alignment sensor. The robot is a six-axis industrial robot performing precise movements. A cell controller system contains the power supply, robot controller, teach pendant (Joystick), and remote control, is used to drive the robot motors. The PC consists of the HP Intel Core2 1.86 GHz computer with Windows XP system and HAC Measurement Software DASY5 NEO, A/D interface card, monitor, mouse, and keyboard. The Stäubli Robot is connected to the cell controller to allow software manipulation of the robot. A data acquisition electronic (DAE) circuit performs the signal amplification, signal multiplexing, AD-conversion, offset measurements, mechanical surface detection, collision detection, etc. is connected to the Electro-optical coupler (EOC). The EOC performs the conversion from the optical into digital electric signal of the DAE and transfers data to the PC plug-in card.



**Fig. 1 HAC Test Measurement Set-up**

The DAE4 consists of a highly sensitive electrometer-grade preamplifier with auto-zeroing, a channel and gain-switching multiplexer, a fast 16 bit AD-converter and a command decoder and control logic unit. Transmission to the PC-card is accomplished through an optical downlink for data and status information and an optical uplink for commands and clock lines. The mechanical probe mounting device includes two different sensor systems for frontal and sidewise probe contacts. They are also used for mechanical surface detection and probe collision detection. The robot uses its own controller with a built in VME-bus computer.

## 6.2 Probe Specification

### E-Field Probe Description

Construction	One dipole parallel, two dipoles normal to probe axis Built-in shielding against static charges PEEK enclosure material
Calibration	In air from 100 MHz to 3.0 GHz (absolute accuracy $\pm 6.0\%$ , $k=2$ )
Frequency	40 MHz to > 6 GHz (can be extended to < 20 MHz) Linearity: $\pm 0.2$ dB (100 MHz to 3 GHz)
Directivity	$\pm 0.2$ dB in air (rotation around probe axis) $\pm 0.4$ dB in air (rotation normal to probe axis)
Dynamic Range	2 V/m to > 1000 V/m; Linearity: $\pm 0.2$ dB
Dimensions	Overall length: 330 mm (Tip: 16 mm) Tip diameter: 8 mm (Body: 12 mm) Distance from probe tip to dipole centers: 2.5 mm
Application	General near-field measurements up to 6 GHz Field component measurements Fast automatic scanning in phantoms



**[ER3DV6]**

### 6.3 Test Arch Phantom & Phone Positioner

The Test Arch phantom should be positioned horizontally on a stable surface. Reference markings on the Phantom allow the complete setup of all predefined phantom positions and measurement grids by manually teaching three points in the robot. It enables easy and well defined positioning of the phone and validation dipoles as well as simple teaching of the robot (Dimensions: 370 x 370 x 370 mm).

The Phone Positioner supports accurate and reliable positioning of any phone with effect on near field  $< \pm 0.5$  dB.

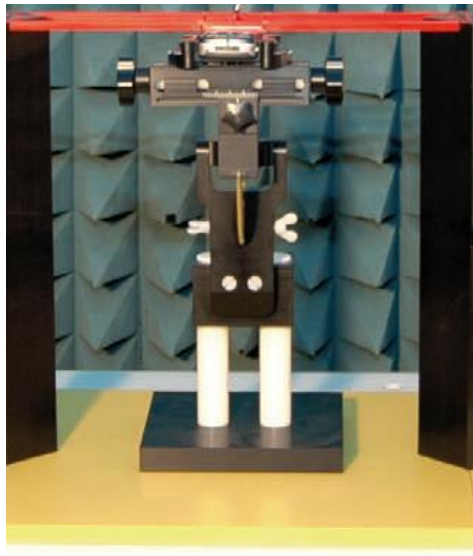


Fig. 2 HAC Phantom & Device Holder

### 6.4 Robotic System Specifications

#### Specifications

**Positioner:** Stäubli Unimation Corp. Robot Model: RX160L

**Repeatability:**  $\pm 0.02$  mm

**No. of Axis:** 6

#### Data Acquisition Electronic (DAE) System

##### Cell Controller

**Processor:** Intel Core2

**Clock Speed:** 1.86GHz

**Operating System:** Windows XP

##### Data Converter

**Features:** Signal Amplifier, multiplexer, A/D converter, and control logic

**Software:** DASY5 software

**Connecting Lines:** Optical downlink for data and status info.

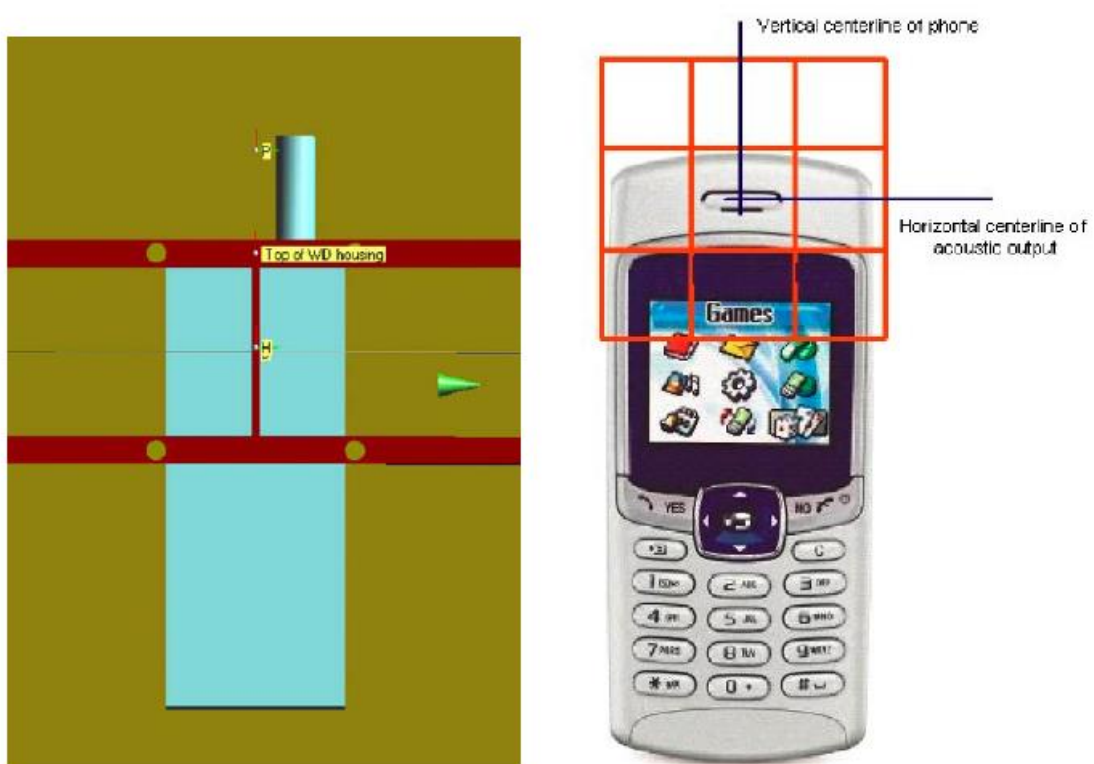
Optical uplink for commands and clock

## 7 EUT ARRANGEMENT

### 7.1 WD RF Emission Measurements Reference and Plane

Figure 4 illustrates the references and reference plane that shall be used in the WD emissions measurement.

- The grid is 5 cm by 5 cm area that is divided into 9 evenly sized blocks or sub-grids.
- The grid is centered on the audio frequency output transducer of the WD (speaker or T-coil).
- The grid is located by reference to a reference plane. This reference plane is the planar area that contains the highest point in the area of the WD that normally rests against the user's ear
- The measurement plane is located parallel to the reference plane and 15 mm from it, out from the phone. The grid is located in the measurement plane.



**Fig. 3 WD reference and plane for RF emission measurements**



## 8 SYSTEM VALIDATION

### 8.1 Validation Procedure

Place a dipole antenna meeting the requirements given in ANSI C63.19 in the position normally occupied by the WD. The dipole antenna serves as a known source for an electrical output. Position the E-field probes so that:

- The probes and their cables are parallel to the coaxial feed of the dipole antenna
- The probe cables and the coaxial feed of the dipole antenna approach the measurement area from opposite directions
- The center point of the probe element(s) are 15 mm from the closest surface of the dipole elements.

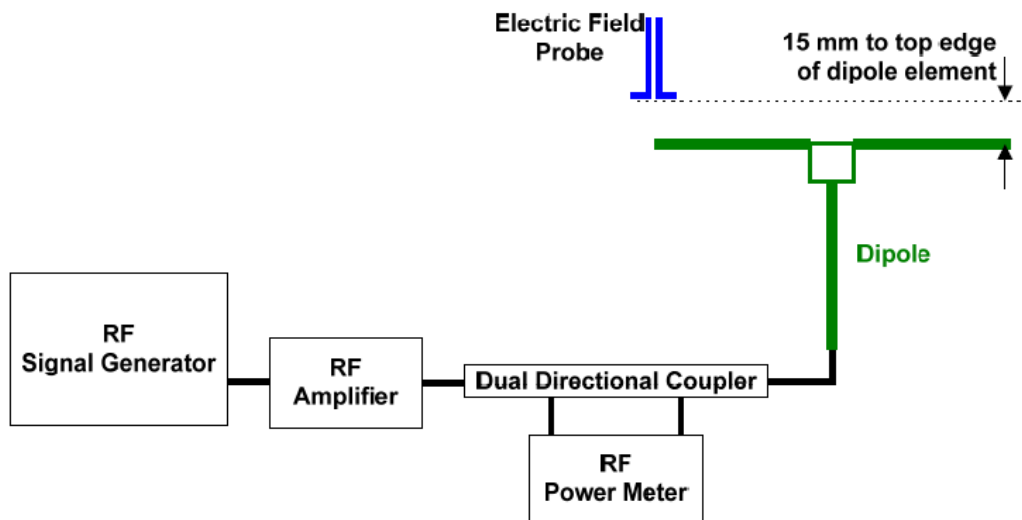


Fig. 4 Dipole Validation Setup

### 8.2 Validation Result

E-Field Scan						
Mode	Frequency (MHz)	Input Power (mW)	Measured <sup>1</sup> Value(dBV/m)	Target <sup>2</sup> Value(dBV/m)	Deviation <sup>3</sup> (%)	Limit <sup>4</sup> (%)
CW	835	100	40.61	40.56	0.58	± 25
CW	1880	100	38.96	38.89	0.81	± 25
CW	2450	100	38.71	38.64	0.81	± 25
CW	2600	100	38.63	38.57	0.69	± 25

Notes:

1. Please refer to the attachment for detailed measurement data and plot.
2. Target value is provided by SPEAD in the calibration certificate of specific dipoles.
3. Deviation (%) =  $100 * (\text{Measured value minus Target value}) / \text{Target value}$ .
4. ANSI C63.19 requires values within  $\pm 25\%$  are acceptable, of which 12% is deviation and 13% is measurement uncertainty. Values independently validated for the dipole actually used in the measurements should be used, when available.

## 9 Evaluation of MIF

### 9.1 Introduction

The MIF (Modulation Interference Factor) is used to classify E-field emission to determine Hearing Aid Compatibility (HAC). It scales the power-averaged signal to the RF audio interference level and is characteristic to a modulation scheme. The HAC standard preferred "indirect" measurement method is based on average field measurement with separate scaling by the MIF. With an Audio Interference Analyzer (AIA) designed by SPEAG specifically for the MIF measurement, these values have been verified by practical measurements on an RF signal modulated with each of the waveforms. The resulting deviations from the simulated values are within the requirements of the HAC standard.

The AIA (Audio Interference Analyzer) is an USB powered electronic sensor to evaluate signals in the frequency range 698MHz - 6 GHz. It contains RMS detector and audio frequency circuits for sampling of the RF envelope.

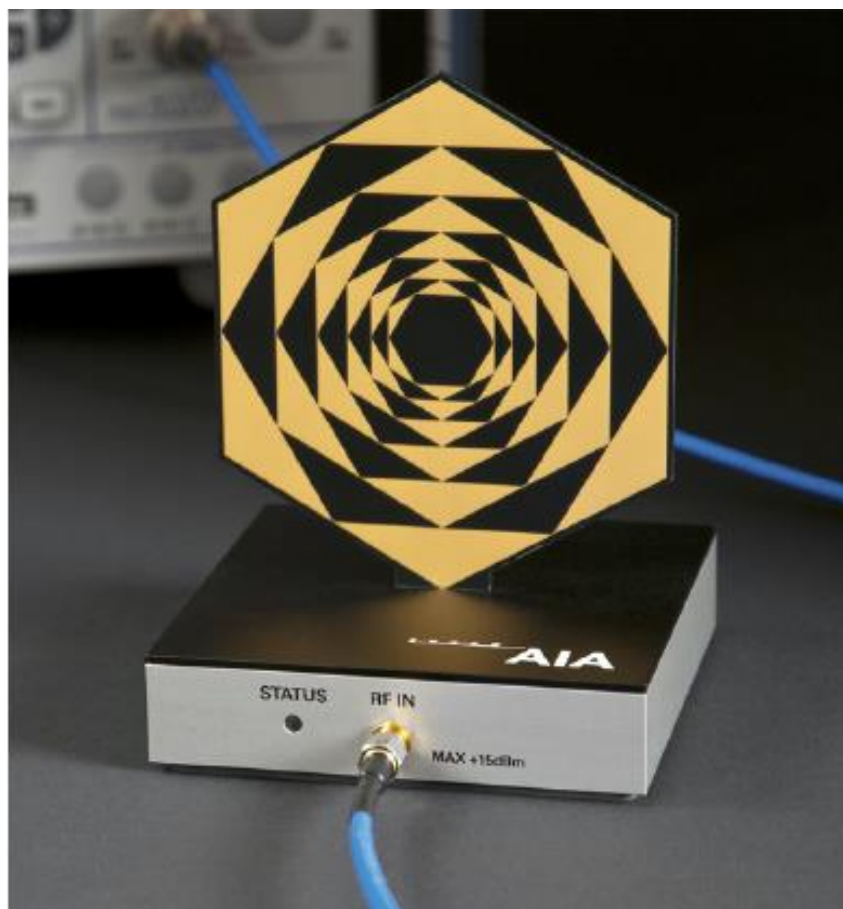


Fig. 5 AIA Front View

## 9.2 MIF measurement with the AIA

The MIF is measured with the AIA as follows:

1. Connect the AIA via USB to the DASY5 PC and verify the configuration settings.
2. Couple the RF signal to be evaluated to an AIA via cable or antenna.
3. Generate a MIF measurement job for the unknown signal and select the measurement port and timing settings.
4. Document the results via the post processor in a report.

## 9.3 Test equipment for the MIF measurement

No.	Name	Type	Serial Number	Manufacturer
01	Signal Generator	E4438C	MY49071430	Agilent
02	AIA	SE UMS 170 CB	1029	SPEAG
03	BTS	CMW500	166370	Agilent

## 9.4 Test signal validation

The signal generator (E4438C) is used to generate a 1GHz signal with different modulation in the below table based on the ANSI C63.19-2011. The measured MIF with AIA are compared with the target values given in ANSI C63.19-2011 table D.3, D.4 and D5.

Pulse modulation	Target MIF	Measured MIF	Deviation
0.5ms pulse, 1000Hz repetition rate	-0.9 dB	-0.9 dB	0 dB
1ms pulse, 100Hz repetition rate	+3.9 dB	+3.7 dB	0.2 dB
0.1ms pulse, 100Hz repetition rate	+10.1 dB	+10.0 dB	0.1 dB
10ms pulse, 10Hz repetition rate	+1.6 dB	+1.7 dB	0.1 dB
Sine-wave modulation	Target MIF	Measured MIF	Deviation
1 kHz, 80% AM	-1.2 dB	-1.3 dB	0.1 dB
1 kHz, 10% AM	-9.1 dB	-9.0 dB	0.1 dB
1 kHz, 1% AM	-19.1 dB	-18.9 dB	0.2 dB
100 Hz, 10% AM	-16.1 dB	-16.0 dB	0.1 dB
10 kHz, 10% AM	-21.5 dB	-21.6 dB	0.1 dB
Transmission protocol	Target MIF	Measured MIF	Deviation
GSM; full-rate version 2; speech codec/handset low	+3.5 dB	+3.47 dB	0.03 dB
WCDMA; speech; speech codec low; AMR 12.2 kb/s	-20.0 dB	-19.8 dB	0.2 dB
CDMA; speech; SO3; RC3; full frame rate; 8kEVRC	-19.0 dB	-19.1 dB	0.1 dB
CDMA; speech; SO3; RC1; 1/8 <sup>th</sup> frame rate; 8kEVRC	+3.3 dB	+3.44 dB	0.14 dB

## 9.5 DUT MIF results

Based on the KDB285076D01v05, the handset can also use the MIF values predetermined by the test equipment manufacturer. MIF values applied in this test report were provided by the HAC equipment provider of SPEAG, and the worst values for all air interface are listed below to be determine the Low-power Exemption.

Typical MIF levels in ANSI C63.19-2011	
Transmission protocol	Modulation interference factor
GSM-FDD (TDMA, GMSK)	+3.63 dB
EDGE-FDD (TDMA, 8PSK, TN 0-1-2-3)	-1.82dB
UMTS-FDD(WCDMA, AMR)	-25.43dB
LTE-FDD (SC-FDMA, 1RB, 20MHz, QPSK)	-15.63 dB
LTE-FDD (SC-FDMA, 1RB, 20MHz, 16QAM)	-9.76 dB
LTE-FDD (SC-FDMA, 1RB, 20MHz, 64QAM)	-9.93 dB
LTE-TDD (SC-FDMA, 1RB, 20MHz, QPSK)	-1.62 dB
LTE-TDD (SC-FDMA, 1RB, 20MHz, 16QAM)	-1.44 dB
LTE-TDD (SC-FDMA, 1RB, 20MHz, 64QAM)	-1.54 dB
CDMA2000 (1xRTT, RC1 SO3, 1/8th Rate 25 fr.)	3.26 dB
CDMA2000 (1xEV-DO, Rev. 0)	-17.67dB
IEEE 802.11b WiFi 2.4 GHz (DSSS, 1 Mbps)	-5.90 dB
IEEE 802.11b WiFi 2.4 GHz (DSSS, 2 Mbps)	-5.17 dB
IEEE 802.11b WiFi 2.4 GHz (DSSS, 5.5 Mbps)	-3.37 dB
IEEE 802.11b WiFi 2.4 GHz (DSSS, 11 Mbps)	-2.02 dB
IEEE 802.11g WiFi 2.4 GHz (DSSS-OFDM, 6 Mbps)	-0.36dB
IEEE 802.11n (HT Greenfield, 6.5 Mbps, BPSK)	-15.80 dB
IEEE 802.11a/h WiFi 5 GHz (OFDM, 6 Mbps)	-5.82 dB
5G NR (DFT-s-OFDM, 1 RB, 20 MHz, QPSK, 15 kHz)	-15.06dB
5G NR (CP-OFDM, 1 RB, 5 MHz, QPSK, 30 kHz)	-14.39dB
5G NR (CP-OFDM, 1 RB, 10 MHz, QPSK, 30 kHz)	-14.47dB
5G NR (CP-OFDM, 1 RB, 15 MHz, QPSK, 30 kHz)	-14.33dB
5G NR (CP-OFDM, 1 RB, 20 MHz, QPSK, 30 kHz)	-14.46dB
5G NR (CP-OFDM, 1 RB, 25 MHz, QPSK, 30 kHz)	-14.35dB
5G NR (CP-OFDM, 1 RB, 30 MHz, QPSK, 30 kHz)	-14.32dB
5G NR (CP-OFDM, 1 RB, 40 MHz, QPSK, 30 kHz)	-14.32dB
5G NR (CP-OFDM, 1 RB, 50 MHz, QPSK, 30 kHz)	-14.55dB
5G NR (CP-OFDM, 1 RB, 60 MHz, QPSK, 30 kHz)	-14.45dB
5G NR (CP-OFDM, 1 RB, 80 MHz, QPSK, 30 kHz)	-14.47dB
5G NR (CP-OFDM, 1 RB, 90 MHz, QPSK, 30 kHz)	-14.43dB
5G NR (CP-OFDM, 1 RB, 100 MHz, QPSK, 30 kHz)	-14.38dB
5G NR (DFT-s-OFDM, 1 RB, 5 MHz, QPSK, 15 kHz)	-15.06dB
5G NR (DFT-s-OFDM, 1 RB, 10 MHz, QPSK, 15 kHz)	-15.06dB
5G NR (DFT-s-OFDM, 1 RB, 15 MHz, QPSK, 15 kHz)	-15.06dB
5G NR (DFT-s-OFDM, 1 RB, 20 MHz, QPSK, 15 kHz)	-15.06dB

## 10 Evaluation for low-power exemption

### 10.1 Product testing threshold

There are two methods for exempting an RF air interface technology from testing. The first method requires evaluation of the MIF for the worst-case operating mode. An RF air interface technology of a device is exempt from testing when its average antenna input power plus its MIF is  $\leq 17$  dBm for any of its operating modes. The second method does not require determination of the MIF. The RF emissions testing exemption shall be applied to an RF air interface technology in a device whose peak antenna input power, averaged over intervals  $\leq 50 \mu s$ , is  $\leq 23$  dBm. An RF air interface technology that is exempted from testing by either method shall be rated as M4.

The first method is used to be exempt from testing for the RF air interface technology in this report.

### 10.2 Conducted power

Band	Average power (dBm)	MIF (dB)	Sum (dBm)	C63.19 Tested
GSM 850 - Voice	33.5	3.63	37.13	Yes
GSM 850 - EDGE	29	-1.82	27.18	Yes*
GSM 1900 - Voice	31	3.63	34.63	Yes
GSM 1900 - EDGE	27	-1.82	25.18	Yes*
WCDMA 850 - RMC	24.7	-25.43	-0.73	No
WCDMA 850 - HSPA	24	-20.75	3.25	No
WCDMA 1700 - RMC	24.7	-25.43	-0.73	No
WCDMA 1700 - HSPA	24	-20.75	3.25	No
WCDMA 1900 - RMC	24.2	-25.43	-1.23	No
WCDMA 1900 - HSPA	23.5	-20.75	2.75	No
CDMA BC0	25	3.26	28.26	Yes
CDMA BC1	25	3.26	28.26	Yes
CDMA BC10	25	3.26	28.26	Yes
LTE Band 7 QPSK	23.5	-15.63	7.87	No
LTE Band 12 QPSK	24.7	-15.63	9.07	No
LTE Band 13 QPSK	24.7	-15.63	9.07	No
LTE Band 25 QPSK	24.7	-15.63	9.07	No
LTE Band 26 QPSK	24.7	-15.63	9.07	No
LTE Band 66 QPSK	25	-15.63	9.37	No
LTE Band 71 QPSK	24.7	-15.63	9.07	No
LTE Band 41 Power Class 2 QPSK	27.7	-1.62	26.08	Yes
LTE Band 41 Power Class 3 QPSK	25	-1.62	23.38	Yes
LTE Band 7 16QAM	22.5	-9.76	12.74	No
LTE Band 12 16QAM	23.7	-9.76	13.94	No

LTE Band 13 16QAM	23.7	-9.76	13.94	No
LTE Band 25 16QAM	23.7	-9.76	13.94	No
LTE Band 26 16QAM	23.7	-9.76	13.94	No
LTE Band 66 16QAM	24	-9.76	14.24	No
LTE Band 71 16QAM	23.7	-9.76	13.94	No
LTE Band 41 Power Class 2 16QAM	26.7	-1.44	25.26	Yes
LTE Band 41 Power Class 3 16QAM	24	-1.44	22.56	Yes
LTE Band 7 64QAM	21.5	-9.93	11.57	No
LTE Band 12 64QAM	22.7	-9.93	12.77	No
LTE Band 13 64QAM	22.7	-9.93	12.77	No
LTE Band 25 64QAM	22.7	-9.93	12.77	No
LTE Band 26 64QAM	22.7	-9.93	12.77	No
LTE Band 66 64QAM	23	-9.93	13.07	No
LTE Band 71 64QAM	22.7	-9.93	12.77	No
LTE Band 41 Power Class 2 64QAM	25.7	-1.54	24.16	Yes
LTE Band 41 Power Class 3 64QAM	23	-1.54	21.46	Yes
NR n2	24.5	-15.06	9.44	No
NR n25	24.7	-15.06	9.64	No
NR n66	24.5	-15.06	9.44	No
NR n71	24.5	-15.06	9.44	No
NR n41 (PC2)	24.7	-14.32	10.38	No
NR n41 (PC3)	27.7	-14.32	13.38	No
WiFi-2.4G	23	-2.02	20.98	Yes
WiFi-5G	20.5	-5.82	14.68	No

\*Note: For GSM bands, EDGE modes were not evaluated as Voice modes were found to be the worst-case modes for the GSM air interface.

### 10.3 Conclusion

According to the above table, the sums of average power and MIF for WCDMA, LTE FDD WiFi 5G and NR are less than 17dBm. So it is measured for GSM WiFi2.4G and CDMA LTE TDD bands. The WCDMA, LTE FDD WiFi5G and NR are exempt from testing and rated as M4.

## 11 RF TEST PROCEDURES

**The evaluation was performed with the following procedure:**

- 1) Confirm proper operation of the field probe, probe measurement system and other instrumentation and the positioning system.
- 2) Position the WD in its intended test position. The gauge block can simplify this positioning.
- 3) Configure the WD normal operation for maximum rated RF output power, at the desired channel and other operating parameters (e.g., test mode), as intended for the test.
- 4) The center sub-grid shall be centered on the center of the T-Coil mode axial measurement point or the acoustic output, as appropriate. Locate the field probe at the initial test position in the 50 mm by 50 mm grid, which is contained in the measurement plane. If the field alignment method is used, align the probe for maximum field reception.
- 5) Record the reading.
- 6) Scan the entire 50 mm by 50 mm region in equally spaced increments and record the reading at each measurement point. The distance between measurement points shall be sufficient to assure the identification of the maximum reading.
- 7) Identify the five contiguous sub-grids around the center sub-grid whose maximum reading is the lowest of all available choices. This eliminates the three sub-grids with the maximum readings. Thus, the six areas to be used to determine the WD's highest emissions are identified.
- 8) Identify the maximum field reading within the non-excluded sub-grids identified in Step 7)
- 9) Evaluate the MIF and add to the maximum steady-state rms field-strength reading to obtain the RF audio interference level..
- 10) Compare this RF audio interference level with the categories and record the resulting WD category rating.

## 12 Measurement Results (E-Field)

Frequency		Measured Value(dBV/m)	Power Drift (dB)	Category
MHz	Channel			
<b>GSM 850</b>				
848.8	251	30.04	0	<b>M4</b>
836.6	190	26.90	0.08	<b>M4</b>
824.2	128	31.21	0.02	<b>M4</b> (see Fig B.1)
<b>GSM 1900</b>				
1909.8	810	31.11	0	<b>M3</b>
1880	661	32.34	-0.07	<b>M3</b>
1850.2	512	32.43	0	<b>M3</b> (see Fig B.2)
<b>CDMA BC0</b>				
848.31	777	22.20	0	<b>M4</b>
836.52	384	22.62	0.06	<b>M4</b>
824.7	1013	23.73	0.08	<b>M4</b> (see Fig B.3)
<b>CDMA BC1</b>				
1908.75	1175	25.65	0.04	<b>M4</b>
1880	600	26.45	0.01	<b>M4</b>
1851.25	25	27.29	0.10	<b>M4</b> (see Fig B.4)
<b>CDMA BC10</b>				
832.1	684	24.02	-0.03	<b>M4</b>
820.5	580	24.32	0.13	<b>M4</b> (see Fig B.5)
817.9	476	24.10	0.06	<b>M4</b>
<b>LTE Band 41 QPSK Power Class 2</b>				
2680	41490	22.83	-0.02	<b>M4</b>
2636.5	41055	22.57	-0.01	<b>M4</b>
2593	40620	22.78	-0.01	<b>M4</b>
2549.5	40185	22.57	0.02	<b>M4</b>
2506	39750	22.36	0.04	<b>M4</b>
<b>LTE Band 41 16QAM Power Class 2</b>				
2680	41490	28.11	-0.01	<b>M4</b> (see Fig B.6)
2636.5	41055	25.29	0.03	<b>M4</b>
2593	40620	25.34	0.02	<b>M4</b>
2549.5	40185	25.31	0.02	<b>M4</b>
2506	39750	25.32	-0.02	<b>M4</b>
<b>LTE Band 41 64QAM Power Class 2</b>				
2680	41490	23.99	-0.01	<b>M4</b>
2636.5	41055	23.35	0	<b>M4</b>
2593	40620	22.74	0.06	<b>M4</b>
2549.5	40185	21.95	0.04	<b>M4</b>
2506	39750	21.79	0.02	<b>M4</b>



<b>LTE Band 41 QPSK Power Class 3</b>				
2680	41490	25.42	0.01	<b>M4</b>
2636.5	41055	24.19	0	<b>M4</b>
2593	40620	23.60	-0.01	<b>M4</b>
2549.5	40185	22.50	0.05	<b>M4</b>
2506	39750	22.13	0.05	<b>M4</b>
<b>LTE Band 41 16QAM Power Class 3</b>				
2680	41490	25.72	0.03	<b>M4 (see Fig B.7)</b>
2636.5	41055	24.55	0.03	<b>M4</b>
2593	40620	23.86	0.03	<b>M4</b>
2549.5	40185	22.84	-0.01	<b>M4</b>
2506	39750	22.54	0.03	<b>M4</b>
<b>LTE Band 41 64QAM Power Class 3</b>				
2680	41490	25.69	0	<b>M4</b>
2636.5	41055	24.54	0.02	<b>M4</b>
2593	40620	23.87	0.02	<b>M4</b>
2549.5	40185	22.84	-0.01	<b>M4</b>
2506	39750	22.52	0.01	<b>M4</b>
<b>WiFi2.4G 11b-11M</b>				
2462	11	22.59	-0.09	<b>M4 (see Fig B.8)</b>
2437	6	19.88	-0.13	<b>M4</b>
2412	1	20.96	0	<b>M4</b>

Note: For LTE Band 41, UL-DL Configuration 1 was used to evaluate Power Class 2 and UL-DL Configuration 1 was used to evaluate Power Class 3.

## 13 ANSIC 63.19-2011 LIMITS

### WD RF audio interference level categories in logarithmic units

<b>Emission categories</b>	<b>&lt; 960 MHz</b>	<b>E-field emissions</b>
Category M1	50 to 55	dB (V/m)
Category M2	45 to 50	dB (V/m)
Category M3	40 to 45	dB (V/m)
Category M4	< 40	dB (V/m)
<b>Emission categories</b>	<b>&gt; 960 MHz</b>	<b>E-field emissions</b>
Category M1	40 to 45	dB (V/m)
Category M2	35 to 40	dB (V/m)
Category M3	30 to 35	dB (V/m)
Category M4	< 30	dB (V/m)

## 14 MEASUREMENT UNCERTAINTY

No.	Error source	Type	Uncertainty Value(%)	Prob. Dist.	k	c <sub>i</sub> E	Standard Uncertainty (%) $u_i$ ; (%)E	Degree of freedom $V_{eff}$ or $\nu_i$
<b>Measurement System</b>								
1	Probe Calibration	B	5.	N	1	1	5.1	$\infty$
2	Axial Isotropy	B	4.7	R	$\sqrt{3}$	1	2.7	$\infty$
3	Sensor Displacement	B	16.5	R	$\sqrt{3}$	1	9.5	$\infty$
4	Boundary Effects	B	2.4	R	$\sqrt{3}$	1	1.4	$\infty$
5	Linearity	B	4.7	R	$\sqrt{3}$	1	2.7	$\infty$
6	Scaling to Peak Envelope Power	B	2.0	R	$\sqrt{3}$	1	1.2	$\infty$
7	System Detection Limit	B	1.0	R	$\sqrt{3}$	1	0.6	$\infty$
8	Readout Electronics	B	0.3	N	1	1	0.3	$\infty$
9	Response Time	B	0.8	R	$\sqrt{3}$	1	0.5	$\infty$
10	Integration Time	B	2.6	R	$\sqrt{3}$	1	1.5	$\infty$
11	RF Ambient Conditions	B	3.0	R	$\sqrt{3}$	1	1.7	$\infty$
12	RF Reflections	B	12.0	R	$\sqrt{3}$	1	6.9	$\infty$
13	Probe Positioner	B	1.2	R	$\sqrt{3}$	1	0.7	$\infty$
14	Probe Positioning	A	4.7	R	$\sqrt{3}$	1	2.7	$\infty$
15	Extra. And Interpolation	B	1.0	R	$\sqrt{3}$	1	0.6	$\infty$
<b>Test Sample Related</b>								
16	Device Positioning Vertical	B	4.7	R	$\sqrt{3}$	1	2.7	$\infty$
17	Device Positioning Lateral	B	1.0	R	$\sqrt{3}$	1	0.6	$\infty$
18	Device Holder and Phantom	B	2.4	R	$\sqrt{3}$	1	1.4	$\infty$
19	Power Drift	B	5.0	R	$\sqrt{3}$	1	2.9	$\infty$

20	AIA measurement	B	12	R	$\sqrt{3}$	1	6.9	$\infty$
<b>Phantom and Setup related</b>								
21	Phantom Thickness	B	2.4	R	$\sqrt{3}$	1	1.4	$\infty$
Combined standard uncertainty(%)							16.2	
Expanded uncertainty (confidence interval of 95 %)		$u_e = 2u_c$		N	k=2		32.4	

## 15 MAIN TEST INSTRUMENTS

**Table 1: List of Main Instruments**

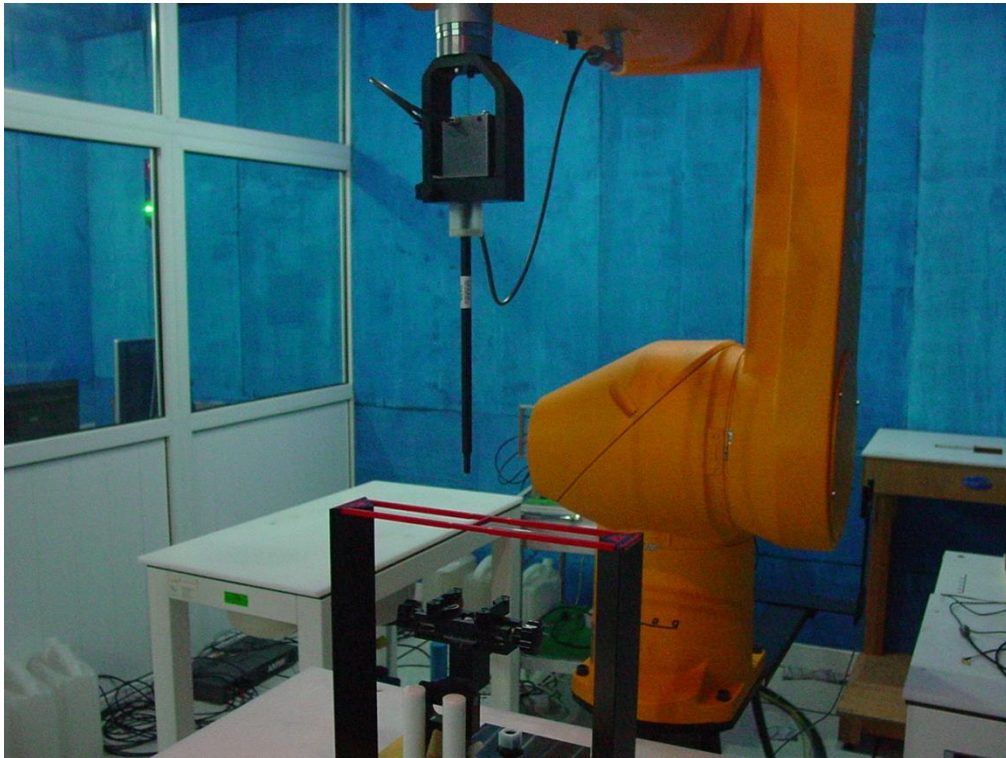
No.	Name	Type	Serial Number	Calibration Date	Valid Period
01	Signal Generator	E4438C	MY49071430	February 25, 2020	One Year
02	Power meter	NRP2	106277	September 4, 2019	One year
03	Power sensor	NRP8S	104291		
04	Amplifier	60S1G4	0331848	No Calibration Requested	
05	E-Field Probe	ER3DV6	2344	June 24, 2019	One year
06	DAE	SPEAG DAE4	777	January 8, 2020	One year
07	HAC Dipole	CD835V3	1023	August 26, 2019	One year
08	HAC Dipole	CD1880V3	1018	August 26, 2019	One year
09	HAC Dipole	CD2450V3	1021	August 26, 2019	One year
10	HAC Dipole	CD2600V3	1017	August 23, 2019	One year
11	BTS	CMW500	166370	June 27, 2019	One year
12	AIA	SE UMS 170 CB	1029	No Calibration Requested	

## 16 CONCLUSION

The HAC measurement indicates that the EUT complies with the HAC limits of the ANSIC63.19-2011. The total M-rating is **M3**.

\*\*\*END OF REPORT BODY\*\*\*

## ANNEX A TEST LAYOUT



Picture A1:HAC RF System Layout

## ANNEX B TEST PLOTS

### HAC RF E-Field GSM 850 Low

Date: 2020-6-1

Electronics: DAE4 Sn777

Medium: Air

Medium parameters used:  $\sigma = 0$  mho/m,  $\epsilon_r = 1$ ;  $\rho = 1000$  kg/m<sup>3</sup>

Ambient Temperature: 22.0°C

Communication System: GSM 850; Frequency: 824.2 MHz; Duty Cycle: 1:8.3

Probe: ER3DV6 - SN2344;ConvF(1, 1, 1)

GSM850/E Scan - ER3DV6 - 2011: 15 mm from Probe Center to the Device

3/Hearing Aid Compatibility Test (101x101x1): Interpolated grid:

dx=0.5000 mm, dy=0.5000 mm

Device Reference Point: 0, 0, -6.3 mm

Reference Value = 26.64 V/m; Power Drift = 0.02 dB

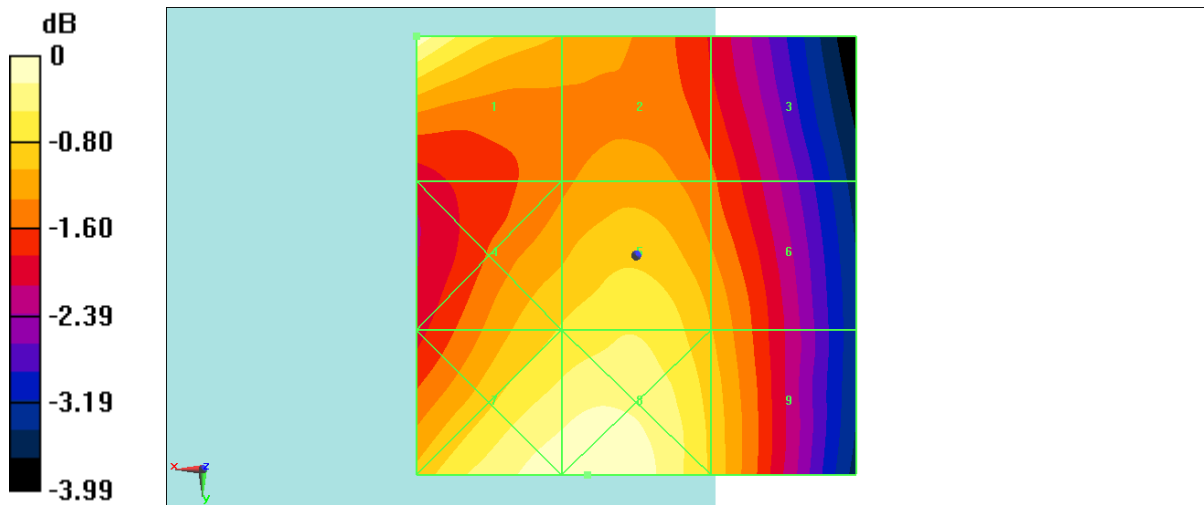
Applied MIF = 3.28 dB

RF audio interference level = 31.21 dBV/m

Emission category: M4

MIF scaled E-field

Grid 1 M4 31.21 dBV/m	Grid 2 M4 30.19 dBV/m	Grid 3 M4 29.72 dBV/m
Grid 4 M4 30.49 dBV/m	Grid 5 M4 30.71 dBV/m	Grid 6 M4 30.22 dBV/m
Grid 7 M4 31.21 dBV/m	Grid 8 M4 31.26 dBV/m	Grid 9 M4 30.42 dBV/m



$0 \text{ dB} = 36.57 \text{ V/m} = 31.26 \text{ dBV/m}$

**Fig B.1 HAC RF E-Field GSM 850 Low**

**HAC RF E-Field GSM 1900 Low****Date: 2020-6-1**

Electronics: DAE4 Sn777

Medium: Air

Medium parameters used:  $\sigma = 0$  mho/m,  $\epsilon_r = 1$ ;  $\rho = 1000$  kg/m<sup>3</sup>

Ambient Temperature: 22.0°C

Communication System: PCS 1900; Frequency: 1850.2 MHz; Duty Cycle: 1:8.3

Probe: ER3DV6 - SN2344;ConvF(1, 1, 1)

GSM1900/E Scan - ER3DV6 - 2011: 15 mm from Probe Center to the Device

3/Hearing Aid Compatibility Test (101x101x1): Interpolated grid:

dx=0.5000 mm, dy=0.5000 mm

Device Reference Point: 0, 0, -6.3 mm

Reference Value = 26.73 V/m; Power Drift = 0.00 dB

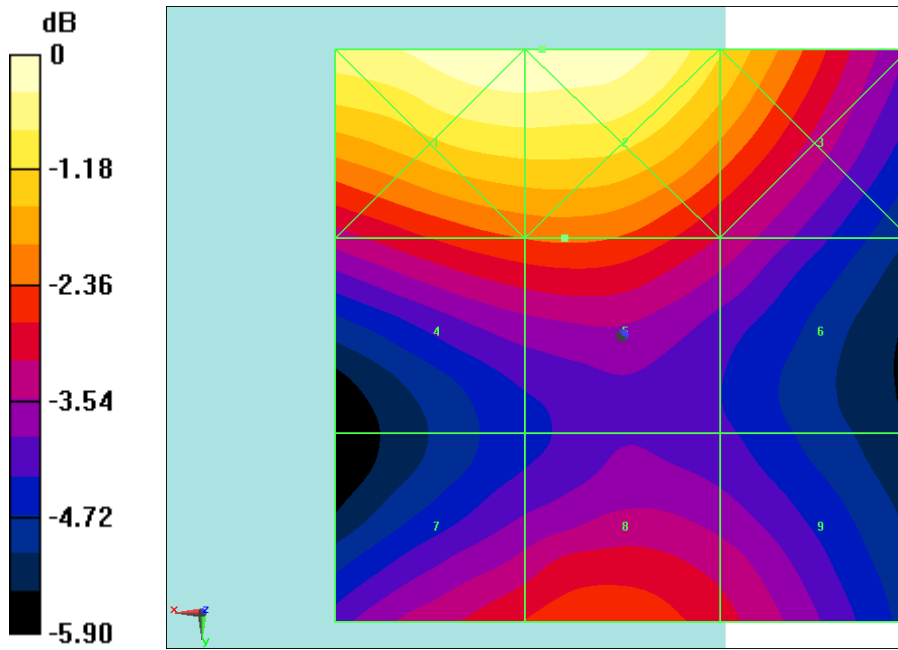
Applied MIF = 3.48 dB

RF audio interference level = 32.43 dBV/m

**Emission category: M3**

MIF scaled E-field

Grid 1 M3 34.7 dBV/m	Grid 2 M3 34.71 dBV/m	Grid 3 M3 33.58 dBV/m
Grid 4 M3 32.37 dBV/m	Grid 5 M3 32.43 dBV/m	Grid 6 M3 31.55 dBV/m
Grid 7 M3 32 dBV/m	Grid 8 M3 32.26 dBV/m	Grid 9 M3 31.75 dBV/m



0 dB = 54.39 V/m = 34.71 dBV/m

**Fig B.2 HAC RF E-Field GSM 1900 Low**



**HAC RF E-Field CDMA BC0 Low**

**Date: 2020-6-1**

Electronics: DAE4 Sn777

Medium: Air

Medium parameters used:  $\sigma = 0$  mho/m,  $\epsilon_r = 1$ ;  $\rho = 1000$  kg/m<sup>3</sup>

Ambient Temperature: 22.0°C

Communication System: CDMA 835; Frequency: 824.7 MHz; Duty Cycle: 1:1

Probe: ER3DV6 - SN2344;ConvF(1, 1, 1)

E Scan - ER3DV6 - 2011: 15 mm from Probe Center to the Device

3/Hearing Aid Compatibility Test (101x101x1): Interpolated grid:

dx=0.5000 mm, dy=0.5000 mm

Device Reference Point: 0, 0, -6.3 mm

Reference Value = 10.67 V/m; Power Drift = 0.08 dB

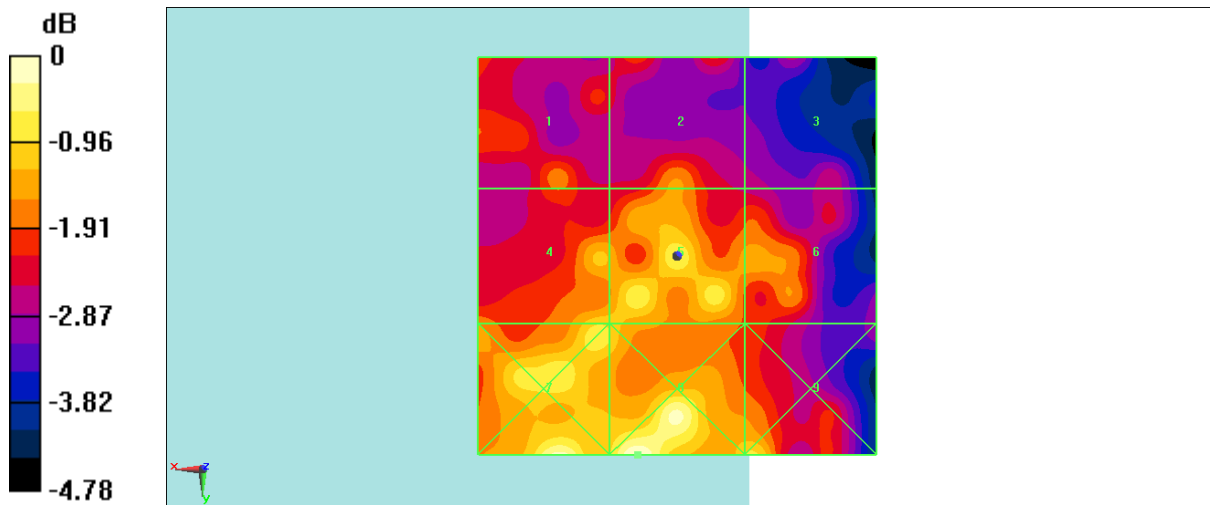
Applied MIF = 3.18 dB

RF audio interference level = 23.73 dBV/m

**Emission category: M4**

MIF scaled E-field

Grid 1 M4 22.7 dBV/m	Grid 2 M4 22.92 dBV/m	Grid 3 M4 21.88 dBV/m
Grid 4 M4 23.44 dBV/m	Grid 5 M4 23.73 dBV/m	Grid 6 M4 23.03 dBV/m
Grid 7 M4 24.26 dBV/m	Grid 8 M4 24.43 dBV/m	Grid 9 M4 23.59 dBV/m



0 dB = 16.65 V/m = 24.43 dBV/m

**Fig B.3 HAC RF E-Field CDMA BC0 low**

**HAC RF E-Field CDMA BC1 Low**

**Date: 2020-6-1**

Electronics: DAE4 Sn777

Medium: Air

Medium parameters used:  $\sigma = 0$  mho/m,  $\epsilon_r = 1$ ;  $\rho = 1000$  kg/m<sup>3</sup>

Ambient Temperature: 22.0°C

Communication System: CDMA 1900; Frequency: 1851.25 MHz; Duty Cycle: 1:1

Probe: ER3DV6 - SN2344;ConvF(1, 1, 1)

E Scan - ER3DV6 - 2011: 15 mm from Probe Center to the Device

3/Hearing Aid Compatibility Test (101x101x1): Interpolated grid:

dx=0.5000 mm, dy=0.5000 mm

Device Reference Point: 0, 0, -6.3 mm

Reference Value = 13.95 V/m; Power Drift = 0.10 dB

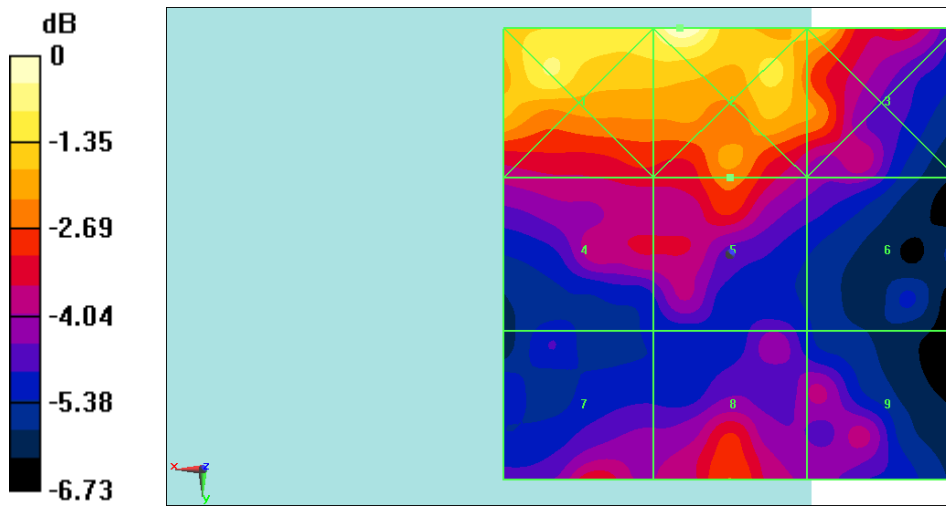
Applied MIF = 3.06 dB

RF audio interference level = 27.29 dBV/m

**Emission category: M4**

MIF scaled E-field

Grid 1 M4 28.91 dBV/m	Grid 2 M4 29.73 dBV/m	Grid 3 M4 28.41 dBV/m
Grid 4 M4 26.39 dBV/m	Grid 5 M4 27.29 dBV/m	Grid 6 M4 25.54 dBV/m
Grid 7 M4 26.6 dBV/m	Grid 8 M4 27.06 dBV/m	Grid 9 M4 25.89 dBV/m



0 dB = 30.65 V/m = 29.73 dBV/m

**Fig B.4 HAC RF E-Field CDMA BC1 Low**

**HAC RF E-Field CDMA BC10 Middle**

**Date: 2020-6-1**

Electronics: DAE4 Sn777

Medium: Air

Medium parameters used:  $\sigma = 0$  mho/m,  $\epsilon_r = 1$ ;  $\rho = 1000$  kg/m<sup>3</sup>

Ambient Temperature: 22.0°C

Communication System: CDMA 835; Frequency: 820.5 MHz; Duty Cycle: 1:1

Probe: ER3DV6 - SN2344;ConvF(1, 1, 1)

E Scan - ER3DV6 - 2011: 15 mm from Probe Center to the Device

2/Hearing Aid Compatibility Test (101x101x1): Interpolated grid:

dx=0.5000 mm, dy=0.5000 mm

Device Reference Point: 0, 0, -6.3 mm

Reference Value = 12.97 V/m; Power Drift = 0.13 dB

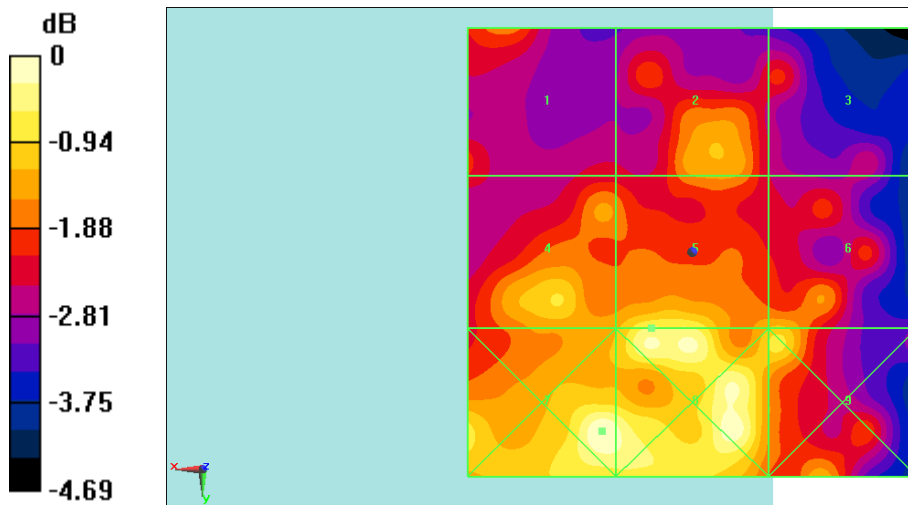
Applied MIF = 3.14 dB

RF audio interference level = 24.32 dBV/m

**Emission category: M4**

MIF scaled E-field

Grid 1 M4 23.2 dBV/m	Grid 2 M4 23.65 dBV/m	Grid 3 M4 22.8 dBV/m
Grid 4 M4 23.97 dBV/m	Grid 5 M4 24.32 dBV/m	Grid 6 M4 23.75 dBV/m
Grid 7 M4 24.86 dBV/m	Grid 8 M4 24.76 dBV/m	Grid 9 M4 24.06 dBV/m



0 dB = 17.51 V/m = 24.87 dBV/m

**Fig B.5 HAC RF E-Field CDMA BC10 Middle**

**HAC RF E-Field LTE Band41 Power Class 2 16QAM CH41490**

**Date: 2020-6-2**

Electronics: DAE4 Sn777

Medium: Air

Medium parameters used:  $\sigma = 0$  mho/m,  $\epsilon_r = 1$ ;  $\rho = 1000$  kg/m<sup>3</sup>

Ambient Temperature: 22.0°C

Communication System: LTE Band41; Frequency: 2680 MHz; Duty Cycle: 1:1.58

Probe: ER3DV6 - SN2344;ConvF(1, 1, 1)

E Scan - ER3DV6 - 2011: 15 mm from Probe Center to the

Device/Hearing Aid Compatibility Test (101x101x1): Interpolated

grid: dx=0.5000 mm, dy=0.5000 mm

Device Reference Point: 0, 0, -6.3 mm

Reference Value = 34.33 V/m; Power Drift = -23.81 dB

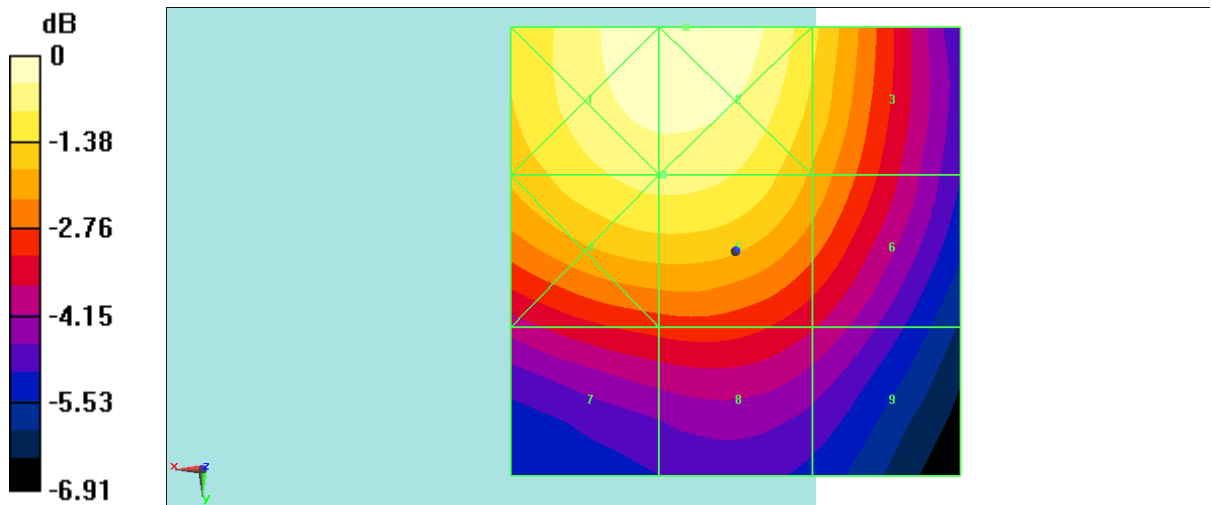
Applied MIF = -2.21 dB

RF audio interference level = 28.11 dBV/m

Emission category: **M4**

MIF scaled E-field

Grid 1 M4 28.79 dBV/m	Grid 2 M4 28.87 dBV/m	Grid 3 M4 27.63 dBV/m
Grid 4 M4 28.11 dBV/m	Grid 5 M4 28.11 dBV/m	Grid 6 M4 26.95 dBV/m
Grid 7 M4 25.83 dBV/m	Grid 8 M4 25.91 dBV/m	Grid 9 M4 25.24 dBV/m



$$0 \text{ dB} = 27.75 \text{ V/m} = 28.87 \text{ dBV/m}$$

**Fig B.6 HAC RF E-Field LTE Band41 Power Class 2 16QAM CH41490**



**HAC RF E-Field LTE Band41 Power Class 3 QPSK CH41490**

**Date: 2020-6-2**

Electronics: DAE4 Sn777

Medium: Air

Medium parameters used:  $\sigma = 0$  mho/m,  $\epsilon_r = 1$ ;  $\rho = 1000$  kg/m<sup>3</sup>

Ambient Temperature: 22.0°C

Communication System: LTE Band41; Frequency: 2680 MHz; Duty Cycle: 1:1.58

Probe: ER3DV6 - SN2344;ConvF(1, 1, 1)

E Scan - ER3DV6 - 2011: 15 mm from Probe Center to the

Device/Hearing Aid Compatibility Test (101x101x1): Interpolated

grid: dx=0.5000 mm, dy=0.5000 mm

Device Reference Point: 0, 0, -6.3 mm

Reference Value = 25.62 V/m; Power Drift = 0.03 dB

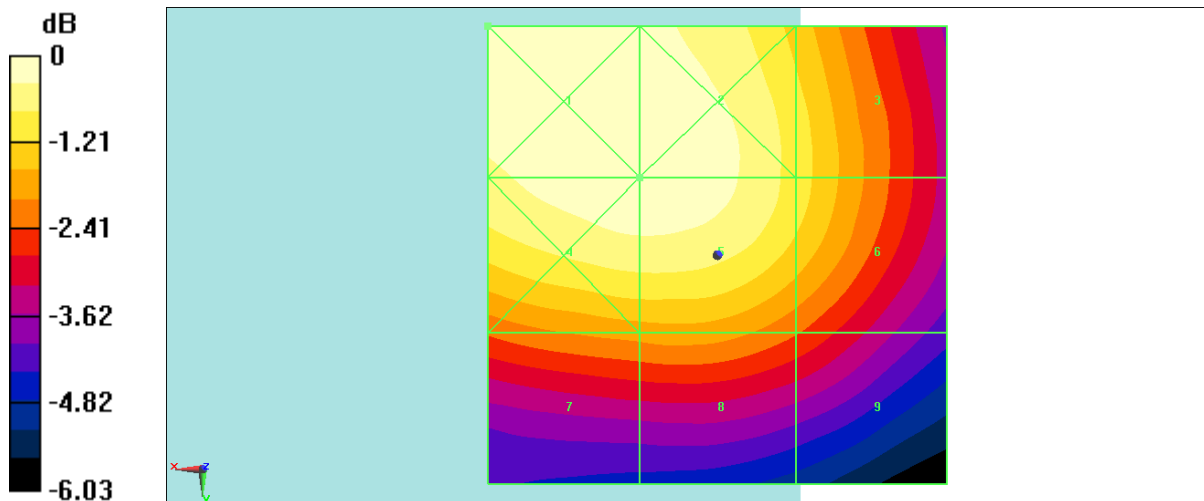
Applied MIF = -1.57 dB

RF audio interference level = 25.72 dBV/m

Emission category: **M4**

MIF scaled E-field

Grid 1 M4 25.85 dBV/m	Grid 2 M4 25.75 dBV/m	Grid 3 M4 24.88 dBV/m
Grid 4 M4 25.72 dBV/m	Grid 5 M4 25.72 dBV/m	Grid 6 M4 24.87 dBV/m
Grid 7 M4 24.02 dBV/m	Grid 8 M4 24.08 dBV/m	Grid 9 M4 23.48 dBV/m



$$0 \text{ dB} = 19.61 \text{ V/m} = 25.85 \text{ dBV/m}$$

**Fig B.7 HAC RF E-Field LTE Band41 Power Class 3 QPSK CH41490**

**HAC RF E-Field WiFi2.4G 11M**

**Date: 2020-6-2**

Electronics: DAE4 Sn777

Medium: Air

Medium parameters used:  $\sigma = 0$  mho/m,  $\epsilon_r = 1$ ;  $\rho = 1000$  kg/m<sup>3</sup>

Ambient Temperature: 22.0°C

Communication System: WiFi2.4G; Frequency: 2462 MHz; Duty Cycle: 1:1

Probe: ER3DV6 - SN2344;ConvF(1, 1, 1)

E Scan - ER3DV6 - 2011: 15 mm from Probe Center to the Device

2/Hearing Aid Compatibility Test (101x101x1): Interpolated grid:

dx=0.5000 mm, dy=0.5000 mm

Device Reference Point: 0, 0, -6.3 mm

Reference Value = 18.77 V/m; Power Drift = -0.09 dB

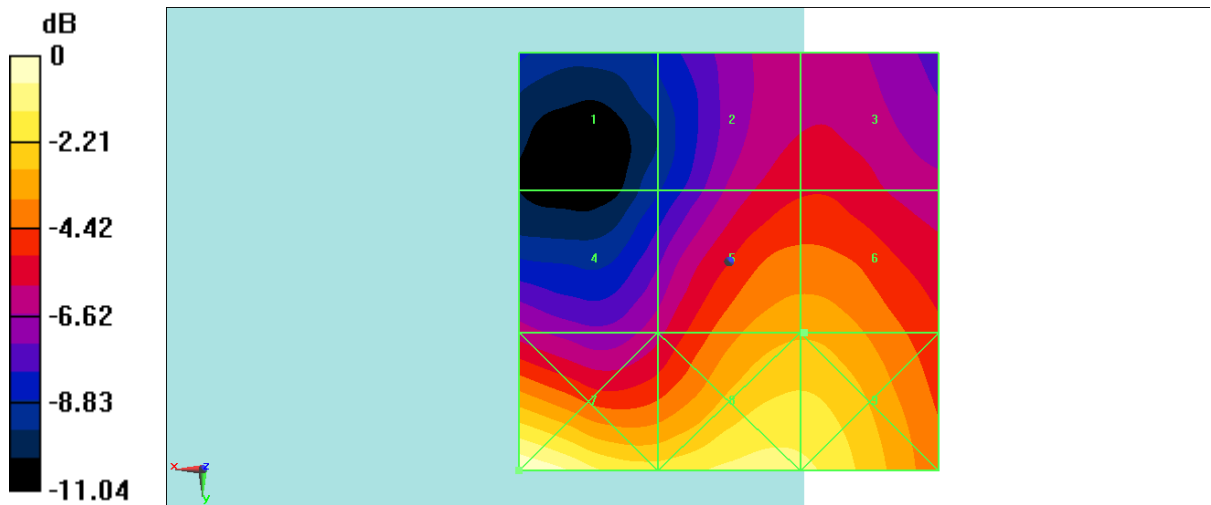
Applied MIF = -2.49 dB

RF audio interference level = 22.59 dBV/m

Emission category: **M4**

MIF scaled E-field

Grid 1 <b>M4</b> 17.13 dBV/m	Grid 2 <b>M4</b> 20.4 dBV/m	Grid 3 <b>M4</b> 20.46 dBV/m
Grid 4 <b>M4</b> 19.55 dBV/m	Grid 5 <b>M4</b> 22.59 dBV/m	Grid 6 <b>M4</b> 22.59 dBV/m
Grid 7 <b>M4</b> 25.64 dBV/m	Grid 8 <b>M4</b> 24.5 dBV/m	Grid 9 <b>M4</b> 24.38 dBV/m



0 dB = 19.14 V/m = 25.64 dBV/m

**Fig B.8 HAC RF E-Field WiFi2.4G 11M**

## ANNEX C SYSTEM VALIDATION RESULT

### E SCAN of Dipole 835 MHz

Date: 2020-6-1

Electronics: DAE4 Sn777

Medium: Air

Medium parameters used:  $\sigma = 0$  mho/m,  $\epsilon_r = 1$ ;  $\rho = 1000$  kg/m<sup>3</sup>

Communication System: CW; Frequency: 835 MHz; Duty Cycle: 1:1

Probe: ER3DV6 - SN2344; ConvF(1, 1, 1)

**E Scan - measurement distance from the probe sensor center to CD835 Dipole = 15mm/Hearing Aid Compatibility Test (41x361x1):** Interpolated grid: dx=0.5000 mm, dy=0.5000 mm

Device Reference Point: 0, 0, -6.3 mm

Reference Value = 131.1 V/m; Power Drift = 0.02 dB

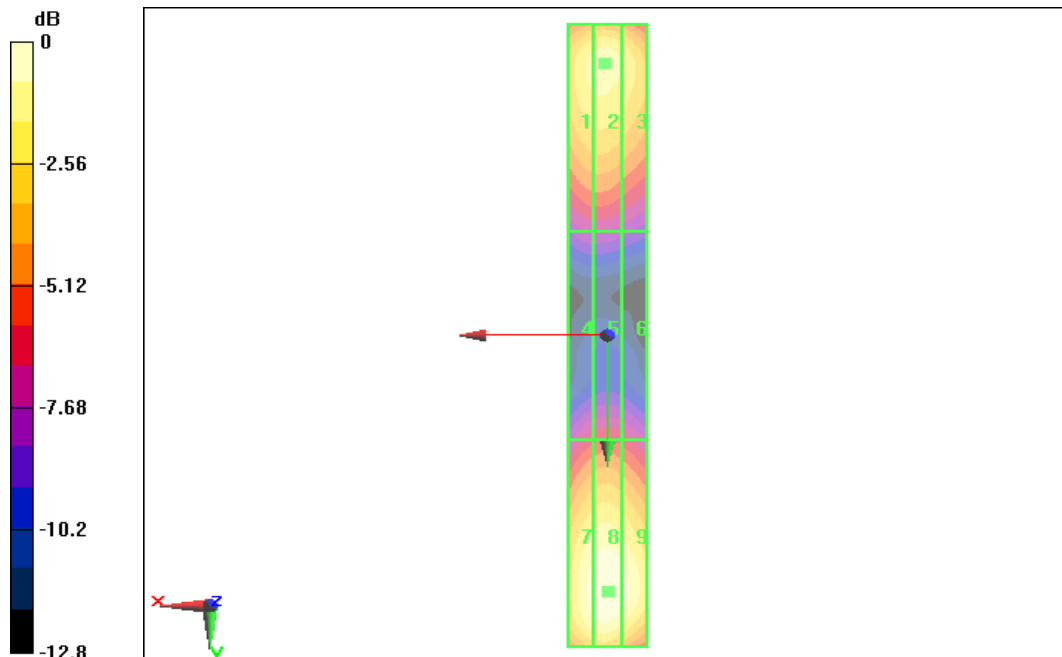
Applied MIF = 0.00 dB

RF audio interference level = 40.61 dBV/m

**Emission category: M3**

MIF scaled E-field

Grid 1 M3 40.14 dBV/m	Grid 2 M3 40.61 dBV/m	Grid 3 M3 40.72 dBV/m
Grid 4 M4 35.41 dBV/m	Grid 5 M4 35.16 dBV/m	Grid 6 M4 35.13 dBV/m
Grid 7 M3 40.36 dBV/m	Grid 8 M3 40.77 dBV/m	Grid 9 M3 40.63 dBV/m



0 dB = 40.61 dBV/m

**E SCAN of Dipole 1880 MHz**

**Date: 2020-6-1**

Electronics: DAE4 Sn777

Medium: Air

Medium parameters used:  $\sigma = 0$  mho/m,  $\epsilon_r = 1$ ;  $\rho = 1000$  kg/m<sup>3</sup>

Communication System: CW; Frequency: 1880 MHz; Duty Cycle: 1:1

Probe: ER3DV6 - SN2344;ConvF(1, 1, 1)

**E Scan - measurement distance from the probe sensor center to CD1880 Dipole = 15mm/Hearing Aid Compatibility Test (41x181x1):** Interpolated grid: dx=0.5000 mm, dy=0.5000 mm

Device Reference Point: 0, 0, -6.3 mm

Reference Value = 150.7 V/m; Power Drift = 0.08 dB

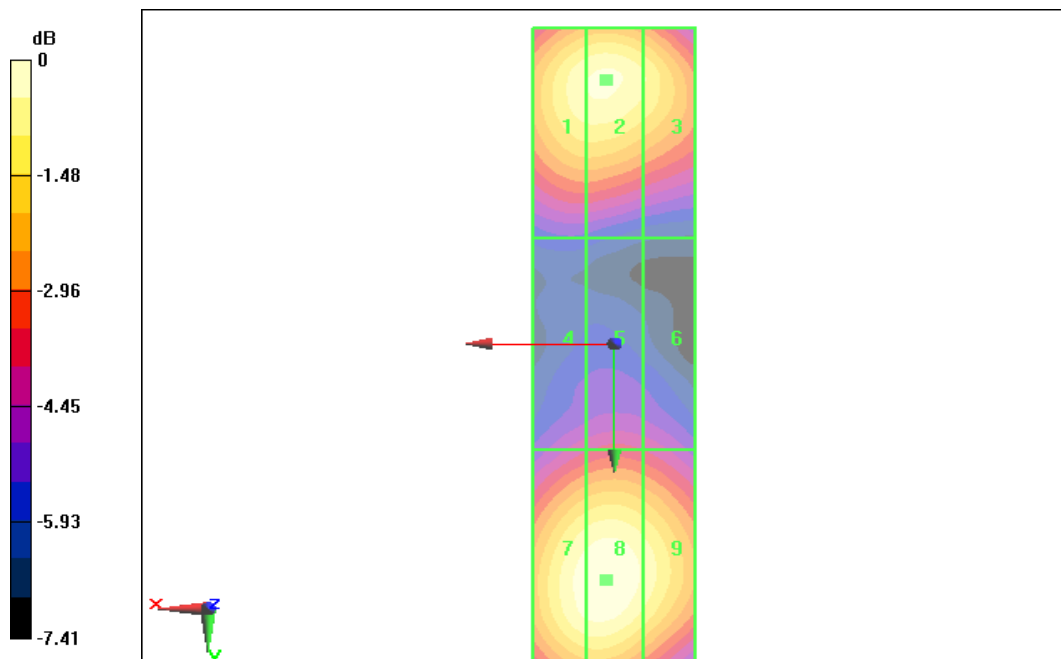
Applied MIF = 0.00 dB

RF audio interference level = 38.96 dBV/m

**Emission category: M2**

MIF scaled E-field

Grid 1 M2 38.65 dBV/m	Grid 2 M2 38.96 dBV/m	Grid 3 M2 38.81 dBV/m
Grid 4 M2 36.06 dBV/m	Grid 5 M2 36.03 dBV/m	Grid 6 M2 36.18 dBV/m
Grid 7 M2 38.68 dBV/m	Grid 8 M2 38.91 dBV/m	Grid 9 M2 38.79 dBV/m



0 dB = 38.96 dBV/m

**E SCAN of Dipole 2450 MHz**

**Date: 2020-6-2**

Electronics: DAE4 Sn777

Medium: Air

Medium parameters used:  $\sigma = 0$  mho/m,  $\epsilon_r = 1$ ;  $\rho = 1000$  kg/m<sup>3</sup>

Communication System: CW; Frequency: 2450 MHz; Duty Cycle: 1:1

Probe: ER3DV6 - SN2344;ConvF(1, 1, 1)

**E Scan - ER3DV6 - 2011: 15 mm from Probe Center to the Device 1041/Hearing Aid Compatibility Test (41x181x1):** Interpolated grid: dx=0.5000 mm, dy=0.5000 mm

Device Reference Point: 0, 0, -6.3 mm

Reference Value = 79.55 V/m; Power Drift = -0.02 dB

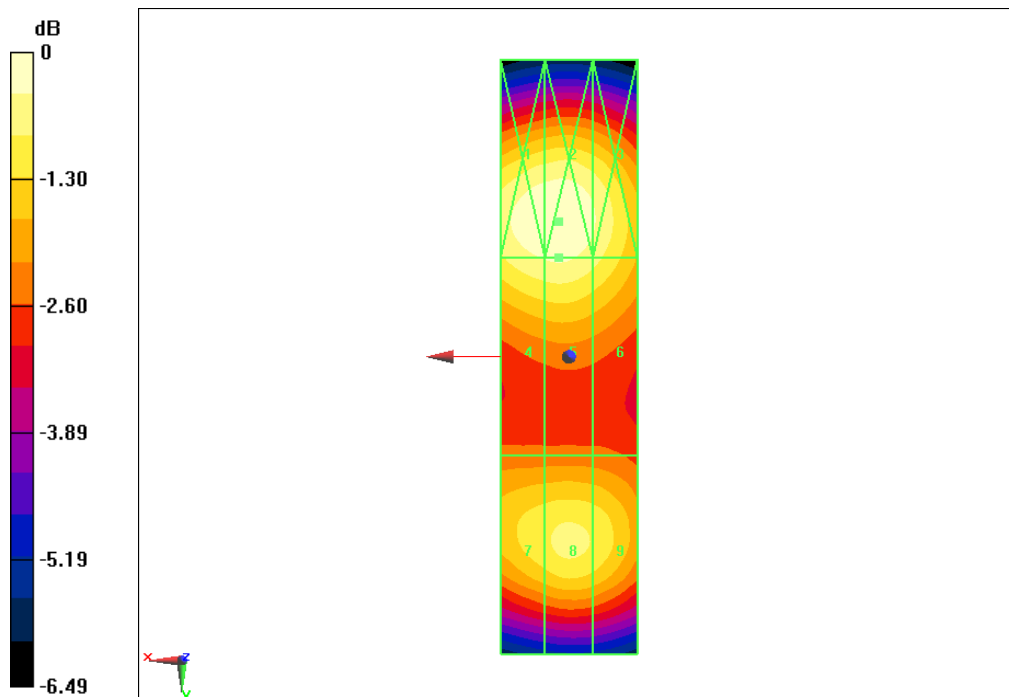
Applied MIF = 0.00 dB

RF audio interference level = 38.71 dBV/m

**Emission category: M2**

MIF scaled E-field

Grid 1 M2 39.01 dBV/m	Grid 2 M2 39.06 dBV/m	Grid 3 M2 38.69 dBV/m
Grid 4 M2 38.66 dBV/m	Grid 5 M2 38.71 dBV/m	Grid 6 M2 38.37 dBV/m
Grid 7 M2 38.13 dBV/m	Grid 8 M2 38.33 dBV/m	Grid 9 M2 38.16 dBV/m



0 dB = 89.74 V/m = 39.06 dBV/m

**E SCAN of Dipole 2600 MHz**

**Date: 2020-6-2**

Electronics: DAE4 Sn777

Medium: Air

Medium parameters used:  $\sigma = 0$  mho/m,  $\epsilon_r = 1$ ;  $\rho = 1000$  kg/m<sup>3</sup>

Communication System: CW; Frequency: 2600 MHz; Duty Cycle: 1:1

Probe: ER3DV6 - SN2344;ConvF(1, 1, 1)

**E Scan - measurement distance from the probe sensor center to CD2600 Dipole = 15mm/Hearing Aid Compatibility Test (41x181x1):** Interpolated grid: dx=0.5000 mm, dy=0.5000 mm

Device Reference Point: 0, 0, -6.3 mm

Reference Value = 59.65 V/m; Power Drift = 0.05 dB

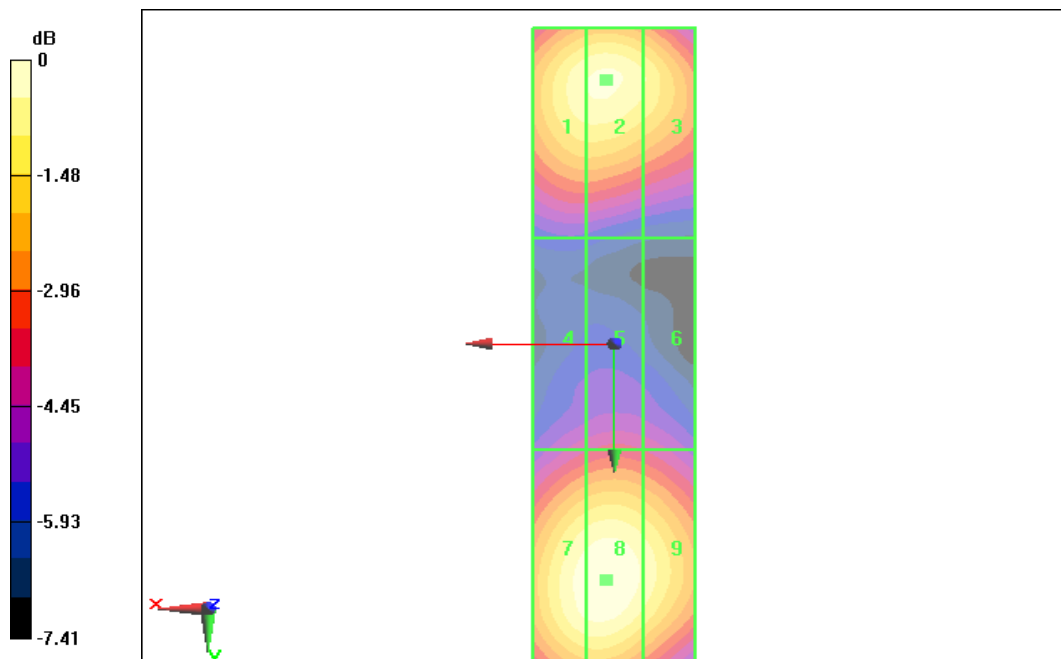
Applied MIF = 0.00 dB

RF audio interference level = 38.63 dBV/m

**Emission category: M2**

MIF scaled E-field

Grid 1M2 38.29 dBV/m	Grid 2M2 38.49 dBV/m	Grid 3M2 38.49 dBV/m
Grid 4M2 37.75 dBV/m	Grid 5M2 38.04 dBV/m	Grid 6M2 37.99 dBV/m
Grid 7M2 38.46 dBV/m	Grid 8M2 38.63 dBV/m	Grid 9M2 38.56 dBV/m



0 dB = 38.63 dBV/m



# ANNEX D PROBE CALIBRATION CERTIFICATE

**Calibration Laboratory of  
 Schmid & Partner  
 Engineering AG**  
 Zeughausstrasse 43, 8004 Zurich, Switzerland



**S** Schweizerischer Kalibrierdienst  
**C** Service suisse d'étalonnage  
**S** Servizio svizzero di taratura  
**S** Swiss Calibration Service

Accredited by the Swiss Accreditation Service (SAS)  
 The Swiss Accreditation Service is one of the signatories to the EA  
 Multilateral Agreement for the recognition of calibration certificates

Accreditation No.: **SCS 0108**

Client **Auden**

Certificate No: **ER3-2344\_Jun19**

## CALIBRATION CERTIFICATE

Object **ER3DV6- SN:2344**

Calibration procedure(s) **QA CAL-02.v9, QA CAL-25.v7**  
 Calibration procedure for E-field probes optimized for close near field  
 evaluations in air

Calibration date: **June 24, 2019**

This calibration certificate documents the traceability to national standards, which realize the physical units of measurements (SI).  
 The measurements and the uncertainties with confidence probability are given on the following pages and are part of the certificate.

All calibrations have been conducted in the closed laboratory facility: environment temperature  $(22 \pm 3)^\circ\text{C}$  and humidity  $< 70\%$ .

Calibration Equipment used (M&TE critical for calibration)

Primary Standards	ID	Cal Date (Certificate No.)	Scheduled Calibration
Power meter NRP	SN: 104778	03-Apr-19 (No. 217-02892/02893)	Apr-20
Power sensor NRP-Z91	SN: 103244	03-Apr-19 (No. 217-02892)	Apr-20
Power sensor NRP-Z91	SN: 103245	03-Apr-19 (No. 217-02893)	Apr-20
Reference 20 dB Attenuator	SN: S5277 (20x)	04-Apr-19 (No. 217-02894)	Apr-20
DAE4	SN: 789	14-Jan-19 (No. DAE4-789_Jan19)	Jan-20
Reference Probe ER3DV6	SN: 2328	09-Oct-18 (No. ER3-2328_Oct18)	Oct-19
Secondary Standards	ID	Check Date (in house)	Scheduled Check
Power meter E4419B	SN: GB41293874	06-Apr-16 (in house check Jun-18)	In house check: Jun-20
Power sensor E4412A	SN: MY41498087	06-Apr-16 (in house check Jun-18)	In house check: Jun-20
Power sensor E4412A	SN: 000110210	06-Apr-16 (in house check Jun-18)	In house check: Jun-20
RF generator HP 8648C	SN: US3642U01700	04-Aug-99 (in house check Jun-18)	In house check: Jun-20
Network Analyzer E8358A	SN: US41080477	31-Mar-14 (in house check Oct-18)	In house check: Oct-19

	Name	Function	Signature
Calibrated by:	Manu Seitz	Laboratory Technician	
Approved by:	Katja Pokovic	Technical Manager	

This calibration certificate shall not be reproduced except in full without written approval of the laboratory.

Issued: June 25, 2019

**Calibration Laboratory of  
 Schmid & Partner  
 Engineering AG**  
 Zeughausstrasse 43, 8004 Zurich, Switzerland



**S** Schweizerischer Kalibrierdienst  
**C** Service suisse d'étalonnage  
**S** Servizio svizzero di taratura  
**S** Swiss Calibration Service

Accredited by the Swiss Accreditation Service (SAS)  
 The Swiss Accreditation Service is one of the signatories to the EA  
 Multilateral Agreement for the recognition of calibration certificates

Accreditation No.: **SCS 0108**

**Glossary:**

NORM <sub>x,y,z</sub>	sensitivity in free space
DCP	diode compression point
CF	crest factor (1/duty_cycle) of the RF signal
A, B, C, D	modulation dependent linearization parameters
En	incident E-field orientation normal to probe axis
Ep	incident E-field orientation parallel to probe axis
Polarization $\phi$	$\phi$ rotation around probe axis
Polarization $\vartheta$	$\vartheta$ rotation around an axis that is in the plane normal to probe axis (at measurement center), i.e., $\vartheta = 0$ is normal to probe axis
Connector Angle	information used in DASY system to align probe sensor X to the robot coordinate system

**Calibration is Performed According to the Following Standards:**

- a) IEEE Std 1309-2005, " IEEE Standard for calibration of electromagnetic field sensors and probes, excluding antennas, from 9 kHz to 40 GHz", December 2005
- b) CTIA Test Plan for Hearing Aid Compatibility, Rev 3.1.1, May 2017

**Methods Applied and Interpretation of Parameters:**

- **NORM<sub>x,y,z</sub>**: Assessed for E-field polarization  $\vartheta = 0$  for XY sensors and  $\vartheta = 90$  for Z sensor ( $f \leq 900$  MHz in TEM-cell;  $f > 1800$  MHz: R22 waveguide).
- **NORM(f)<sub>x,y,z</sub>** = NORM<sub>x,y,z</sub> \* frequency\_response (see Frequency Response Chart).
- **DCP<sub>x,y,z</sub>**: DCP are numerical linearization parameters assessed based on the data of power sweep with CW signal (no uncertainty required). DCP does not depend on frequency nor media.
- **PAR**: PAR is the Peak to Average Ratio that is not calibrated but determined based on the signal characteristics
- **A<sub>x,y,z</sub>; B<sub>x,y,z</sub>; C<sub>x,y,z</sub>; D<sub>x,y,z</sub>; VR<sub>x,y,z</sub>**: A, B, C, D are numerical linearization parameters assessed based on the data of power sweep for specific modulation signal. The parameters do not depend on frequency nor media. VR is the maximum calibration range expressed in RMS voltage across the diode.
- **Spherical isotropy (3D deviation from isotropy)**: in a locally homogeneous field realized using an open waveguide setup.
- **Sensor Offset**: The sensor offset corresponds to the offset of virtual measurement center from the probe tip (on probe axis). No tolerance required.
- **Connector Angle**: The angle is assessed using the information gained by determining the NORM<sub>x</sub> (no uncertainty required).

ER3DV6 – SN:2344

June 24, 2019

## DASY/EASY - Parameters of Probe: ER3DV6 - SN:2344

### Basic Calibration Parameters

	Sensor X	Sensor Y	Sensor Z	Unc (k=2)
Norm ( $\mu\text{V}/(\text{V/m})^2$ )	1.63	1.76	1.68	$\pm 10.1\%$
DCP (mV) <sup>b</sup>	99.6	100.3	98.2	

### Calibration results for Frequency Response (30 MHz – 3 GHz)

Frequency MHz	Target E-Field V/m	Measured E-field (En) V/m	Deviation E-normal in %	Measured E-field (Ep) V/m	Deviation E-normal in %	Unc (k=2) %
30	77.3	76.6	-0.9%	77.4	0.2%	$\pm 5.1\%$
100	77.4	78.7	1.7%	77.9	0.7%	$\pm 5.1\%$
450	76.9	78.3	1.8%	77.8	1.1%	$\pm 5.1\%$
600	77.1	78.2	1.4%	77.5	0.5%	$\pm 5.1\%$
750	77.2	78.2	1.2%	77.5	0.4%	$\pm 5.1\%$
1800	143.1	141.6	-1.0%	141.0	-1.4%	$\pm 5.1\%$
2000	135.2	134.5	-0.5%	133.6	-1.2%	$\pm 5.1\%$
2200	127.7	126.2	-1.2%	127.7	0.0%	$\pm 5.1\%$
2500	125.5	126.0	0.4%	127.3	1.4%	$\pm 5.1\%$
3000	79.4	78.2	-1.4%	81.1	2.1%	$\pm 5.1\%$

The reported uncertainty of measurement is stated as the standard uncertainty of measurement multiplied by the coverage factor  $k=2$ , which for a normal distribution corresponds to a coverage probability of approximately 95%.

<sup>a</sup> Numerical linearization parameter; uncertainty not required.

<sup>b</sup> Uncertainty is determined using the max. deviation from linear response applying rectangular distribution and is expressed for the square of the field value.

ER3DV6 – SN:2344

June 24, 2019

**DASY/EASY - Parameters of Probe: ER3DV6 - SN:2344**
**Calibration Results for Modulation Response**

UID	Communication System Name		A dB	B dB/μV	C	D dB	VR mV	Max dev.	Max Unc <sup>E</sup> (k=2)
0	CW	X	0.00	0.00	1.00	0.00	216.3	± 2.5 %	± 4.7 %
		Y	0.00	0.00	1.00		214.3		
		Z	0.00	0.00	1.00		200.5		
10352-AAA	Pulse Waveform (200Hz, 10%)	X	10.38	83.10	20.80	10.00	60.0	± 2.0 %	± 9.6 %
		Y	10.36	82.67	21.43		60.0		
		Z	10.52	82.75	22.13		60.0		
10353-AAA	Pulse Waveform (200Hz, 20%)	X	10.36	83.87	19.67	6.99	80.0	± 2.7 %	± 9.6 %
		Y	10.21	83.68	20.34		80.0		
		Z	11.16	85.20	21.53		80.0		
10354-AAA	Pulse Waveform (200Hz, 40%)	X	15.00	89.57	19.84	3.98	95.0	± 3.9 %	± 9.6 %
		Y	15.00	90.39	20.82		95.0		
		Z	15.00	91.07	21.62		95.0		
10355-AAA	Pulse Waveform (200Hz, 60%)	X	15.00	86.11	16.33	2.22	120.0	± 3.8 %	± 9.6 %
		Y	15.00	89.66	18.67		120.0		
		Z	15.00	91.98	20.24		120.0		
10387-AAA	QPSK Waveform, 1 MHz	X	1.12	65.47	12.08	0.00	150.0	± 2.2 %	± 9.6 %
		Y	1.24	66.47	13.07		150.0		
		Z	0.94	64.22	11.03		150.0		
10388-AAA	QPSK Waveform, 10 MHz	X	2.55	69.49	16.18	0.00	150.0	± 1.3 %	± 9.6 %
		Y	2.63	69.83	16.35		150.0		
		Z	2.54	69.81	16.49		150.0		
10396-AAA	64-QAM Waveform, 100 kHz	X	4.36	76.16	21.88	3.01	150.0	± 0.6 %	± 9.6 %
		Y	4.54	76.35	21.88		150.0		
		Z	5.29	79.05	23.00		150.0		
10399-AAA	64-QAM Waveform, 40 MHz	X	3.63	67.41	15.88	0.00	150.0	± 1.7 %	± 9.6 %
		Y	3.66	67.50	15.92		150.0		
		Z	3.64	67.59	16.05		150.0		
10414-AAA	WLAN CCDF, 64-QAM, 40MHz	X	5.08	65.84	15.67	0.00	150.0	± 3.9 %	± 9.6 %
		Y	5.12	65.84	15.65		150.0		
		Z	4.85	65.27	15.42		150.0		

Note: For details on UID parameters see Appendix

The reported uncertainty of measurement is stated as the standard uncertainty of measurement multiplied by the coverage factor k=2, which for a normal distribution corresponds to a coverage probability of approximately 95%.

<sup>a</sup> Numerical linearization parameter: uncertainty not required.

<sup>c</sup> Uncertainty is determined using the max. deviation from linear response applying rectangular distribution and is expressed for the square of the field value.

ER3DV6 - SN:2344

June 24, 2019

**DASY/EASY - Parameters of Probe: ER3DV6 - SN:2344**
**Sensor Frequency Model Parameters**

	Sensor X	Sensor Y	Sensor Z
Frequency Corr. (LF)	-1.67	-1.70	0.36
Frequency Corr. (HF)	0.00	0.00	0.00

**Sensor Model Parameters**

	C1 fF	C2 fF	$\alpha$ V <sup>-1</sup>	T1 ms.V <sup>-2</sup>	T2 ms.V <sup>-1</sup>	T3 ms	T4 V <sup>-2</sup>	T5 V <sup>-1</sup>	T6
X	93.3	450.60	36.87	27.36	1.75	5.10	0.00	0.67	1.02
Y	103.5	496.01	36.42	28.88	2.49	5.10	0.00	0.72	1.02
Z	80.8	390.98	37.12	29.73	3.30	5.10	0.00	0.82	1.02

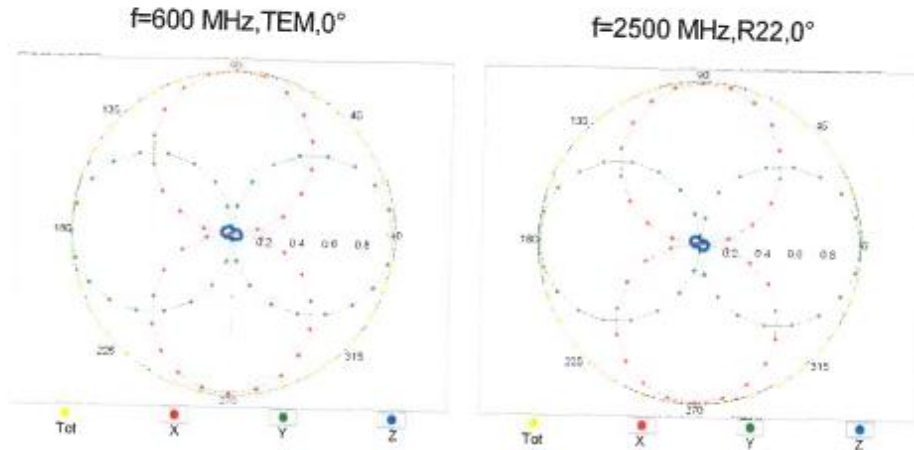
**Other Probe Parameters**

Sensor Arrangement	Rectangular
Connector Angle (°)	-22
Mechanical Surface Detection Mode	enabled
Optical Surface Detection Mode	disabled
Probe Overall Length	337 mm
Probe Body Diameter	10 mm
Tip Length	10 mm
Tip Diameter	8 mm
Probe Tip to Sensor X Calibration Point	2.5 mm
Probe Tip to Sensor Y Calibration Point	2.5 mm
Probe Tip to Sensor Z Calibration Point	2.5 mm

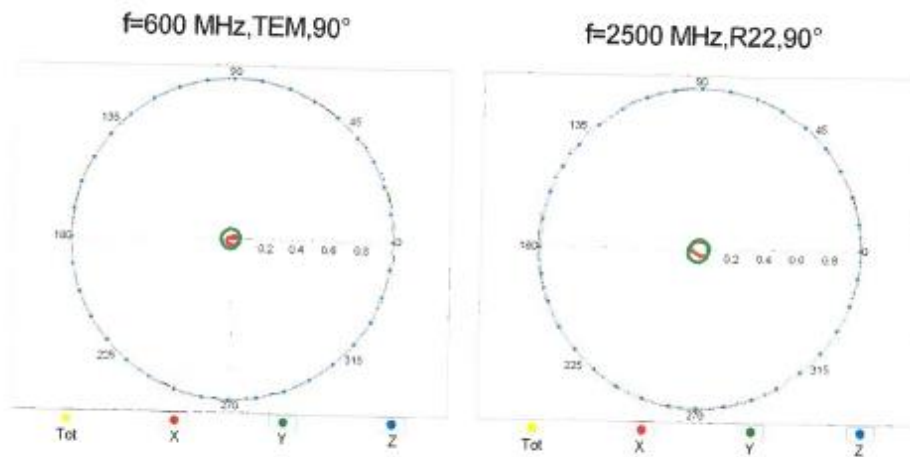
ER3DV6 - SN:2344

June 24, 2019

### Receiving Pattern ( $\phi$ ), $\vartheta = 0^\circ$



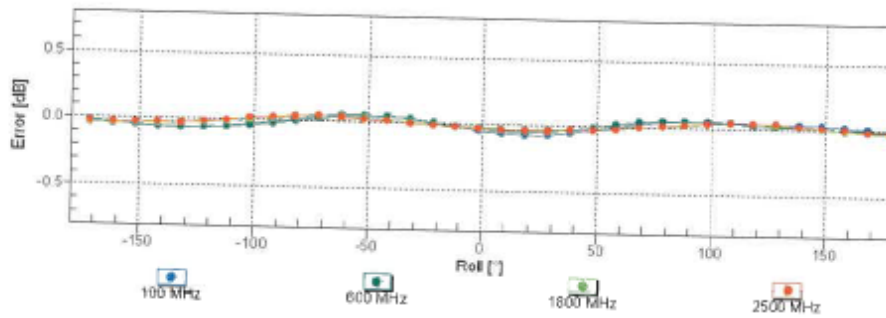
### Receiving Pattern ( $\phi$ ), $\vartheta = 90^\circ$



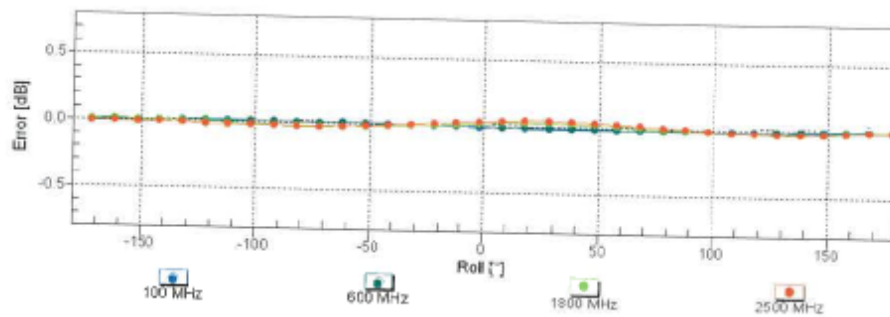
ER3DV6 – SN:2344

June 24, 2019

### Receiving Pattern ( $\phi$ ), $\vartheta = 0^\circ$

Uncertainty of Axial Isotropy Assessment:  $\pm 0.5\%$  ( $k=2$ )

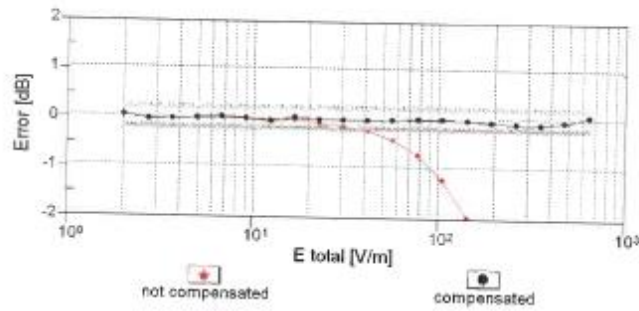
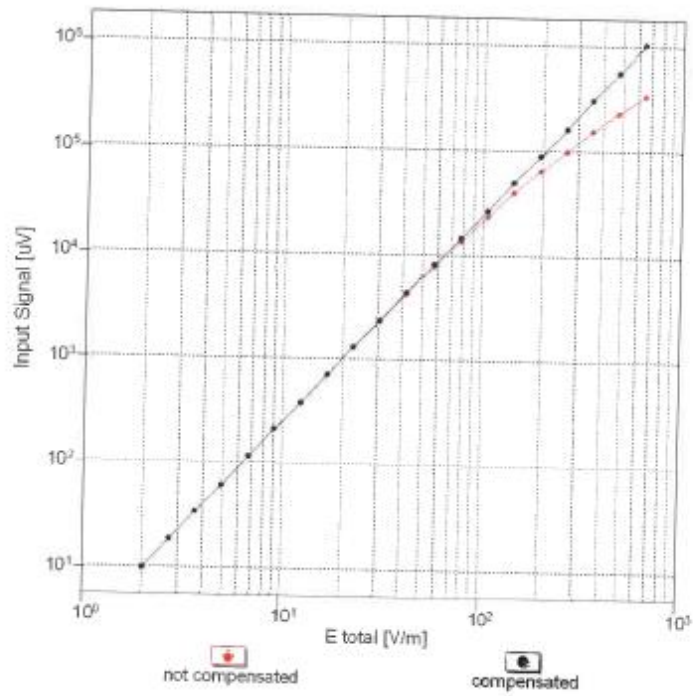
### Receiving Pattern ( $\phi$ ), $\vartheta = 90^\circ$

Uncertainty of Axial Isotropy Assessment:  $\pm 0.5\%$  ( $k=2$ )

ER3DV6 – SN:2344

June 24, 2019

### Dynamic Range f(E-field) (TEM cell, f = 900 MHz)



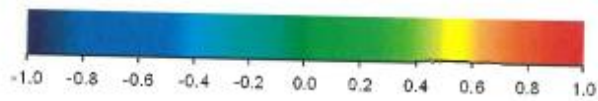
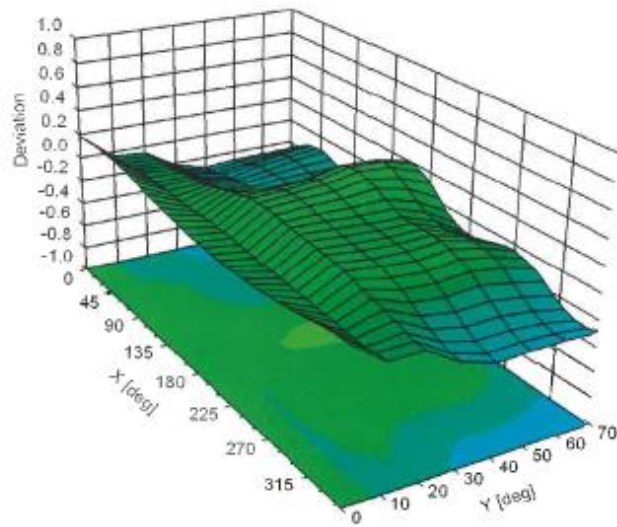
Uncertainty of Linearity Assessment:  $\pm 0.6\%$  (k=2)



ER3DV6 – SN:2344

June 24, 2019

### Deviation from Isotropy in Air Error ( $\phi$ , $\theta$ ), $f = 900$ MHz



Uncertainty of Spherical Isotropy Assessment:  $\pm 2.6\%$  ( $k=2$ )

# ANNEX E DIPOLE CALIBRATION CERTIFICATE

## Dipole 835 MHz

**Calibration Laboratory of**  
**Schmid & Partner**  
**Engineering AG**  
 Zeughausstrasse 43, 8004 Zurich, Switzerland



**S** Schweizerischer Kalibrierdienst  
**C** Service suisse d'étalonnage  
**S** Servizio svizzero di taratura  
**S** Swiss Calibration Service

Accredited by the Swiss Accreditation Service (SAS)  
 The Swiss Accreditation Service is one of the signatories to the EA  
 Multilateral Agreement for the recognition of calibration certificates

Accreditation No.: **SCS 0108**

Client **CTTL (Auden)**

Certificate No: **CD835V3-1023\_Aug19**

CALIBRATION CERTIFICATE			
Object	CD835V3 - SN: 1023		
Calibration procedure(s)	QA CAL-20.v7 Calibration Procedure for Validation Sources in air		
Calibration date:	August 26, 2019		
This calibration certificate documents the traceability to national standards, which realize the physical units of measurements (SI). The measurements and the uncertainties with confidence probability are given on the following pages and are part of the certificate.			
All calibrations have been conducted in the closed laboratory facility: environment temperature (22 ± 3)°C and humidity < 70%.			
Calibration Equipment used (M&TE critical for calibration)			
Primary Standards	ID #	Cal Date (Certificate No.)	Scheduled Calibration
Power meter NRP	SN: 104778	03-Apr-19 (No. 217-02892/02893)	Apr-20
Power sensor NRP-Z91	SN: 103244	03-Apr-19 (No. 217-02892)	Apr-20
Power sensor NRP-Z91	SN: 103245	03-Apr-19 (No. 217-02893)	Apr-20
Reference 20 dB Attenuator	SN: 5058 (20k)	04-Apr-19 (No. 217-02894)	Apr-20
Type-N mismatch combination	SN: 5047.2 / 06327	04-Apr-19 (No. 217-02895)	Apr-20
Probe EF3DV3	SN: 4013	03-Jan-19 (No. EF3-4013_Jan19)	Jan-20
DAE4	SN: 781	09-Jan-19 (No. DAE4-781_Jan19)	Jan-20
Secondary Standards	ID #	Check Date (in house)	Scheduled Check
Power meter Agilent 4419B	SN: GB42420191	09-Oct-09 (in house check Oct-17)	In house check: Oct-20
Power sensor HP E4412A	SN: US38485102	05-Jan-10 (in house check Oct-17)	In house check: Oct-20
Power sensor HP 8482A	SN: US37295597	09-Oct-09 (in house check Oct-17)	In house check: Oct-20
RF generator R&S SMT-06	SN: 837633/005	10-Jan-19 (in house check Jan-19)	In house check: Oct-22
Network Analyzer Agilent E8358A	SN: US41080477	31-Mar-14 (in house check Oct-18)	In house check: Oct-19
Calibrated by:	Name Leif Klysner	Function Laboratory Technician	Signature 
Approved by:	Name Katja Pokovic	Function Technical Manager	Signature 
			Issued: August 27, 2019
This calibration certificate shall not be reproduced except in full without written approval of the laboratory.			

**Calibration Laboratory of  
Schmid & Partner  
Engineering AG**  
Zeughausstrasse 43, 8004 Zurich, Switzerland



**S** Schweizerischer Kalibrierdienst  
**S** Service suisse d'étalonnage  
**S** Servizio svizzero di taratura  
**S** Swiss Calibration Service

Accredited by the Swiss Accreditation Service (SAS)  
The Swiss Accreditation Service is one of the signatories to the EA  
Multilateral Agreement for the recognition of calibration certificates

Accreditation No.: **SCS 0108**

#### References

- [1] ANSI-C63.19-2011  
American National Standard, Methods of Measurement of Compatibility between Wireless Communications  
Devices and Hearing Aids.

#### Methods Applied and Interpretation of Parameters:

- *Coordinate System:* y-axis is in the direction of the dipole arms. z-axis is from the basis of the antenna (mounted on the table) towards its feed point between the two dipole arms. x-axis is normal to the other axes. In coincidence with the standards [1], the measurement planes (probe sensor center) are selected to be at a distance of 15 mm above the top metal edge of the dipole arms.
- *Measurement Conditions:* Further details are available from the hardcopies at the end of the certificate. All figures stated in the certificate are valid at the frequency indicated. The forward power to the dipole connector is set with a calibrated power meter connected and monitored with an auxiliary power meter connected to a directional coupler. While the dipole under test is connected, the forward power is adjusted to the same level.
- *Antenna Positioning:* The dipole is mounted on a HAC Test Arch phantom using the matching dipole positioner with the arms horizontal and the feeding cable coming from the floor. The measurements are performed in a shielded room with absorbers around the setup to reduce the reflections. It is verified before the mounting of the dipole under the Test Arch phantom, that its arms are perfectly in a line. It is installed on the HAC dipole positioner with its arms parallel below the dielectric reference wire and able to move elastically in vertical direction without changing its relative position to the top center of the Test Arch phantom. The vertical distance to the probe is adjusted after dipole mounting with a DASY5 Surface Check job. Before the measurement, the distance between phantom surface and probe tip is verified. The proper measurement distance is selected by choosing the matching section of the HAC Test Arch phantom with the proper device reference point (upper surface of the dipole) and the matching grid reference point (tip of the probe) considering the probe sensor offset. The vertical distance to the probe is essential for the accuracy.
- *Feed Point Impedance and Return Loss:* These parameters are measured using a Vector Network Analyzer. The impedance is specified at the SMA connector of the dipole. The influence of reflections was eliminated by applying the averaging function while moving the dipole in the air, at least 70cm away from any obstacles.
- *E-field distribution:* E field is measured in the x-y-plane with an isotropic E-field probe with 100 mW forward power to the antenna feed point. In accordance with [1], the scan area is 20mm wide, its length exceeds the dipole arm length (180 or 90mm). The sensor center is 15 mm (in z) above the metal top of the dipole arms. Two 3D maxima are available near the end of the dipole arms. Assuming the dipole arms are perfectly in one line, the average of these two maxima (in subgrid 2 and subgrid 8) is determined to compensate for any non-parallelity to the measurement plane as well as the sensor displacement. The E-field value stated as calibration value represents the maximum of the interpolated 3D-E-field, in the plane above the dipole surface.

The reported uncertainty of measurement is stated as the standard uncertainty of measurement multiplied by the coverage factor  $k=2$ , which for a normal distribution corresponds to a coverage probability of approximately 95%.

### Measurement Conditions

DASY system configuration, as far as not given on page 1.

<b>DASY Version</b>	DASY5	V52.10.2
<b>Phantom</b>	HAC Test Arch	
<b>Distance Dipole Top - Probe Center</b>	15 mm	
<b>Scan resolution</b>	dx, dy = 5 mm	
<b>Frequency</b>	835 MHz $\pm$ 1 MHz	
<b>Input power drift</b>	< 0.05 dB	

### Maximum Field values at 835 MHz

E-field 15 mm above dipole surface	condition	Interpolated maximum
Maximum measured above high end	100 mW input power	106.7 V/m = 40.56 dBV/m
Maximum measured above low end	100 mW input power	106.6 V/m = 40.56 dBV/m
Averaged maximum above arm	100 mW input power	<b>106.7 V/m <math>\pm</math> 12.8 % (k=2)</b>

### Appendix (Additional assessments outside the scope of SCS 0108)

#### Antenna Parameters

Frequency	Return Loss	Impedance
800 MHz	17.2 dB	41.4 $\Omega$ - 9.3 j $\Omega$
835 MHz	25.2 dB	52.6 $\Omega$ + 5.0 j $\Omega$
880 MHz	16.4 dB	62.6 $\Omega$ - 11.7 j $\Omega$
900 MHz	16.2 dB	52.8 $\Omega$ - 15.9 j $\Omega$
945 MHz	24.1 dB	45.6 $\Omega$ + 4.0 j $\Omega$

#### 3.2 Antenna Design and Handling

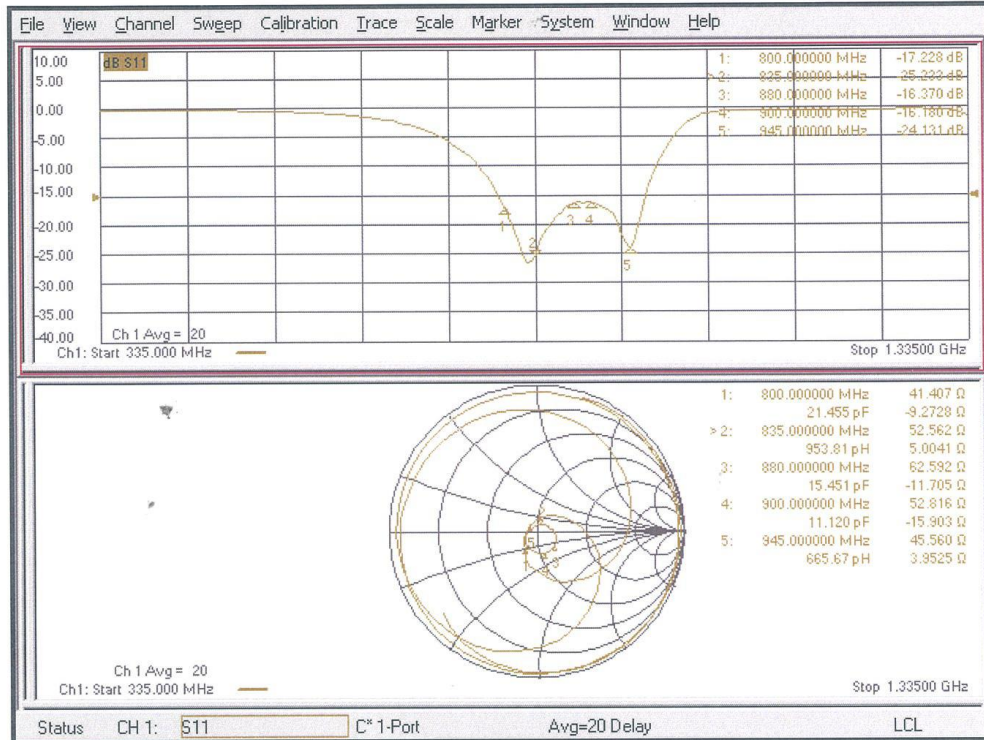
The calibration dipole has a symmetric geometry with a built-in two stub matching network, which leads to the enhanced bandwidth.

The dipole is built of standard semirigid coaxial cable. The internal matching line is open ended. The antenna is therefore open for DC signals.

Do not apply force to dipole arms, as they are liable to bend. The soldered connections near the feedpoint may be damaged. After excessive mechanical stress or overheating, check the impedance characteristics to ensure that the internal matching network is not affected.

After long term use with 40W radiated power, only a slight warming of the dipole near the feedpoint can be measured.

Impedance Measurement Plot



**DASY5 E-field Result**

Date: 26.08.2019

Test Laboratory: SPEAG Lab2

**DUT: HAC-Dipole 835 MHz; Type: CD835V3; Serial: CD835V3 - SN: 1023**

Communication System: UID 0 - CW ; Frequency: 835 MHz  
 Medium parameters used:  $\sigma = 0$  S/m,  $\epsilon_r = 1$ ;  $\rho = 0$  kg/m<sup>3</sup>  
 Phantom section: RF Section  
 Measurement Standard: DASY5 (IEEE/IEC/ANSI C63.19-2011)

DASY52 Configuration:

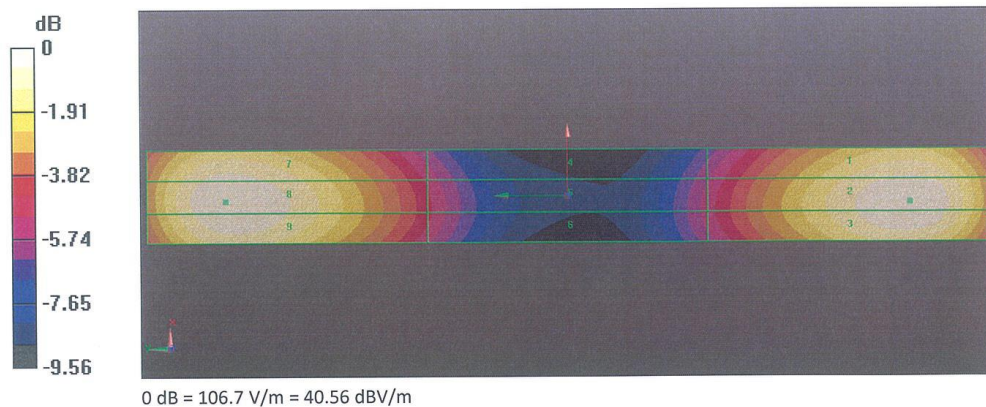
- Probe: EF3DV3 - SN4013; ConvF(1, 1, 1) @ 835 MHz; Calibrated: 03.01.2019
- Sensor-Surface: (Fix Surface)
- Electronics: DAE4 Sn781; Calibrated: 09.01.2019
- Phantom: HAC Test Arch with AMCC; Type: SD HAC P01 BA; Serial: 1070
- DASY52 52.10.2(1504); SEMCAD X 14.6.12(7470)

**Dipole E-Field measurement @ 835MHz/E-Scan - 835MHz d=15mm/Hearing Aid Compatibility Test (41x361x1):**

Interpolated grid: dx=0.5000 mm, dy=0.5000 mm  
 Device Reference Point: 0, 0, -6.3 mm  
 Reference Value = 127.9 V/m; Power Drift = -0.01 dB  
 Applied MIF = 0.00 dB  
 RF audio interference level = 40.56 dBV/m  
**Emission category: M3**

MIF scaled E-field

Grid 1 M3 40.08 dBV/m	Grid 2 M3 40.56 dBV/m	Grid 3 M3 40.51 dBV/m
Grid 4 M4 35.34 dBV/m	Grid 5 M4 35.68 dBV/m	Grid 6 M4 35.67 dBV/m
Grid 7 M3 40.23 dBV/m	Grid 8 M3 40.56 dBV/m	Grid 9 M3 40.49 dBV/m





No.I20Z61431-SEM02

Dipole 1880 MHz

Calibration Laboratory of Schmid & Partner Engineering AG Zeughausstrasse 43, 8004 Zurich, Switzerland



S Schweizerischer Kalibrierdienst
S Service suisse d'etalonnage
S Servizio svizzero di taratura
S Swiss Calibration Service

Accredited by the Swiss Accreditation Service (SAS) The Swiss Accreditation Service is one of the signatories to the EA Multilateral Agreement for the recognition of calibration certificates

Accreditation No.: SCS 0108

Client CTTL (Auden)

Certificate No: CD1880V3-1018\_Aug19

CALIBRATION CERTIFICATE
Object: CD1880V3 - SN: 1018
Calibration procedure(s): QA CAL-20.v7
Calibration date: August 26, 2019
This calibration certificate documents the traceability to national standards...
Calibration Equipment used (M&TE critical for calibration)
Primary Standards table with columns: Primary Standards, ID #, Cal Date (Certificate No.), Scheduled Calibration
Secondary Standards table with columns: Secondary Standards, ID #, Check Date (in house), Scheduled Check
Calibrated by: Leif Klysner, Laboratory Technician
Approved by: Katja Pokovic, Technical Manager
Issued: August 27, 2019

**Calibration Laboratory of  
Schmid & Partner  
Engineering AG**  
Zeughausstrasse 43, 8004 Zurich, Switzerland



**S  
C  
S** Schweizerischer Kalibrierdienst  
Service suisse d'étalonnage  
Servizio svizzero di taratura  
Swiss Calibration Service

Accredited by the Swiss Accreditation Service (SAS)  
The Swiss Accreditation Service is one of the signatories to the EA  
Multilateral Agreement for the recognition of calibration certificates

Accreditation No.: **SCS 0108**

#### References

- [1] ANSI-C63.19-2011  
American National Standard, Methods of Measurement of Compatibility between Wireless Communications  
Devices and Hearing Aids.

#### Methods Applied and Interpretation of Parameters:

- **Coordinate System:** y-axis is in the direction of the dipole arms. z-axis is from the basis of the antenna (mounted on the table) towards its feed point between the two dipole arms. x-axis is normal to the other axes. In coincidence with the standards [1], the measurement planes (probe sensor center) are selected to be at a distance of 15 mm above the top metal edge of the dipole arms.
- **Measurement Conditions:** Further details are available from the hardcopies at the end of the certificate. All figures stated in the certificate are valid at the frequency indicated. The forward power to the dipole connector is set with a calibrated power meter connected and monitored with an auxiliary power meter connected to a directional coupler. While the dipole under test is connected, the forward power is adjusted to the same level.
- **Antenna Positioning:** The dipole is mounted on a HAC Test Arch phantom using the matching dipole positioner with the arms horizontal and the feeding cable coming from the floor. The measurements are performed in a shielded room with absorbers around the setup to reduce the reflections. It is verified before the mounting of the dipole under the Test Arch phantom, that its arms are perfectly in a line. It is installed on the HAC dipole positioner with its arms parallel below the dielectric reference wire and able to move elastically in vertical direction without changing its relative position to the top center of the Test Arch phantom. The vertical distance to the probe is adjusted after dipole mounting with a DASY5 Surface Check job. Before the measurement, the distance between phantom surface and probe tip is verified. The proper measurement distance is selected by choosing the matching section of the HAC Test Arch phantom with the proper device reference point (upper surface of the dipole) and the matching grid reference point (tip of the probe) considering the probe sensor offset. The vertical distance to the probe is essential for the accuracy.
- **Feed Point Impedance and Return Loss:** These parameters are measured using a Vector Network Analyzer. The impedance is specified at the SMA connector of the dipole. The influence of reflections was eliminated by applying the averaging function while moving the dipole in the air, at least 70cm away from any obstacles.
- **E-field distribution:** E field is measured in the x-y-plane with an isotropic E-field probe with 100 mW forward power to the antenna feed point. In accordance with [1], the scan area is 20mm wide, its length exceeds the dipole arm length (180 or 90mm). The sensor center is 15 mm (in z) above the metal top of the dipole arms. Two 3D maxima are available near the end of the dipole arms. Assuming the dipole arms are perfectly in one line, the average of these two maxima (in subgrid 2 and subgrid 8) is determined to compensate for any non-parallelity to the measurement plane as well as the sensor displacement. The E-field value stated as calibration value represents the maximum of the interpolated 3D-E-field, in the plane above the dipole surface.

The reported uncertainty of measurement is stated as the standard uncertainty of measurement multiplied by the coverage factor  $k=2$ , which for a normal distribution corresponds to a coverage probability of approximately 95%.



### Measurement Conditions

DASY system configuration, as far as not given on page 1.

<b>DASY Version</b>	DASY5	V52.10.2
<b>Phantom</b>	HAC Test Arch	
<b>Distance Dipole Top - Probe Center</b>	15 mm	
<b>Scan resolution</b>	dx, dy = 5 mm	
<b>Frequency</b>	1880 MHz $\pm$ 1 MHz	
<b>Input power drift</b>	< 0.05 dB	

### Maximum Field values at 1880 MHz

E-field 15 mm above dipole surface	condition	Interpolated maximum
Maximum measured above high end	100 mW input power	88.0 V/m = 38.89 dBV/m
Maximum measured above low end	100 mW input power	86.5 V/m = 38.74 dBV/m
Averaged maximum above arm	100 mW input power	<b>87.3 V/m <math>\pm</math> 12.8 % (k=2)</b>

### Appendix (Additional assessments outside the scope of SCS 0108)

#### Antenna Parameters

Frequency	Return Loss	Impedance
1730 MHz	27.8 dB	54.3 $\Omega$ + 0.3 j $\Omega$
1880 MHz	21.6 dB	55.4 $\Omega$ + 7.0 j $\Omega$
1900 MHz	22.8 dB	56.3 $\Omega$ + 4.5 j $\Omega$
1950 MHz	33.3 dB	52.2 $\Omega$ - 0.1 j $\Omega$
2000 MHz	19.4 dB	47.6 $\Omega$ + 10.2 j $\Omega$

#### 3.2 Antenna Design and Handling

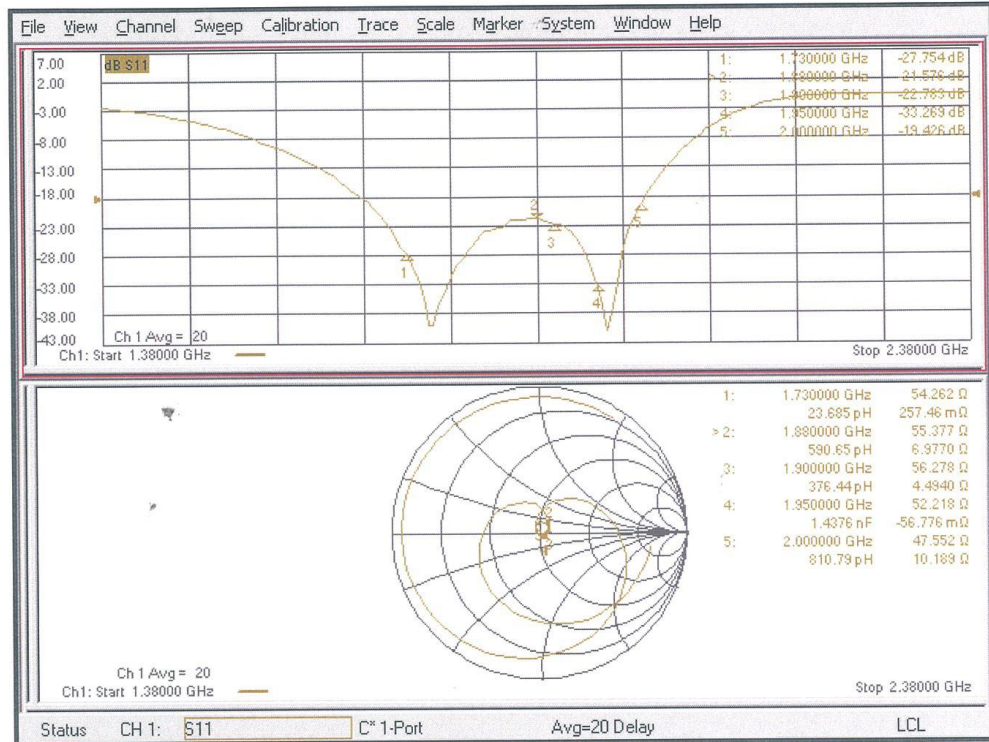
The calibration dipole has a symmetric geometry with a built-in two stub matching network, which leads to the enhanced bandwidth.

The dipole is built of standard semirigid coaxial cable. The internal matching line is open ended. The antenna is therefore open for DC signals.

Do not apply force to dipole arms, as they are liable to bend. The soldered connections near the feedpoint may be damaged. After excessive mechanical stress or overheating, check the impedance characteristics to ensure that the internal matching network is not affected.

After long term use with 40W radiated power, only a slight warming of the dipole near the feedpoint can be measured.

Impedance Measurement Plot



**DASY5 E-field Result**

Date: 26.08.2019

Test Laboratory: SPEAG Lab2

**DUT: HAC Dipole 1880 MHz; Type: CD1880V3; Serial: CD1880V3 - SN: 1018**

Communication System: UID 0 - CW ; Frequency: 1880 MHz  
 Medium parameters used:  $\sigma = 0$  S/m,  $\epsilon_r = 1$ ;  $\rho = 0$  kg/m<sup>3</sup>  
 Phantom section: RF Section  
 Measurement Standard: DASY5 (IEEE/IEC/ANSI C63.19-2011)

DASY52 Configuration:

- Probe: EF3DV3 - SN4013; ConvF(1, 1, 1) @ 1880 MHz; Calibrated: 03.01.2019
- Sensor-Surface: (Fix Surface)
- Electronics: DAE4 Sn781; Calibrated: 09.01.2019
- Phantom: HAC Test Arch with AMCC; Type: SD HAC P01 BA; Serial: 1070
- DASY52 52.10.2(1504); SEMCAD X 14.6.12(7470)

**Dipole E-Field measurement @ 1880MHz/E-Scan - 1880MHz d=15mm/Hearing Aid Compatibility Test (41x181x1):**

Interpolated grid: dx=0.5000 mm, dy=0.5000 mm  
 Device Reference Point: 0, 0, -6.3 mm  
 Reference Value = 151.1 V/m; Power Drift = -0.01 dB  
 Applied MIF = 0.00 dB  
 RF audio interference level = 38.89 dBV/m  
**Emission category: M2**

MIF scaled E-field

Grid 1 M2	Grid 2 M2	Grid 3 M2
38.47 dBV/m	38.89 dBV/m	38.86 dBV/m
Grid 4 M2	Grid 5 M2	Grid 6 M2
35.88 dBV/m	36.02 dBV/m	35.97 dBV/m
Grid 7 M2	Grid 8 M2	Grid 9 M2
38.51 dBV/m	38.74 dBV/m	38.6 dBV/m

