

Fig. 23-1 Z-Scan at power reference point (LTE Band14)

LTE Band30 Right Cheek with QPSK_10M_1RB_Middle

Date: 2019-5-21

Electronics: DAE4 Sn1525

Medium: Head 2300 MHz

Medium parameters used: $f = 2310$ MHz; $\sigma = 1.66$ mho/m; $\epsilon_r = 39.194$; $\rho = 1000$ kg/m³

Ambient Temperature: 22.9°C Liquid Temperature: 22.5°C

Communication System: LTE Band30 Frequency: 2310 MHz Duty Cycle: 1:1

Probe: EX3DV4– SN7514 ConvF(7.42, 7.42, 7.42)

Area Scan (81x151x1): Interpolated grid: dx=1.000 mm, dy=1.000 mm

Maximum value of SAR (interpolated) = 0.229 W/kg

Zoom Scan (9x7x7)/Cube 0: Measurement grid: dx=5mm, dy=5mm, dz=5mm

Reference Value = 3.120 V/m; Power Drift = -0.04 dB

Peak SAR (extrapolated) = 0.281 W/kg

SAR(1 g) = 0.157 W/kg; SAR(10 g) = 0.088 W/kg

Maximum value of SAR (measured) = 0.231 W/kg

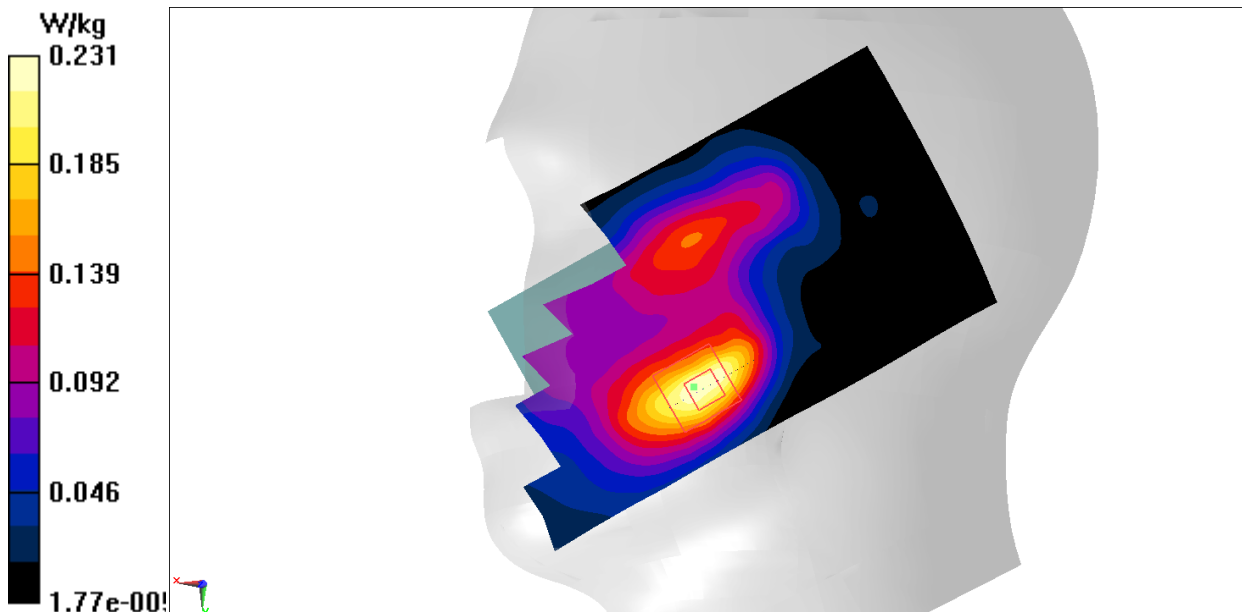


Fig.24 LTE Band30

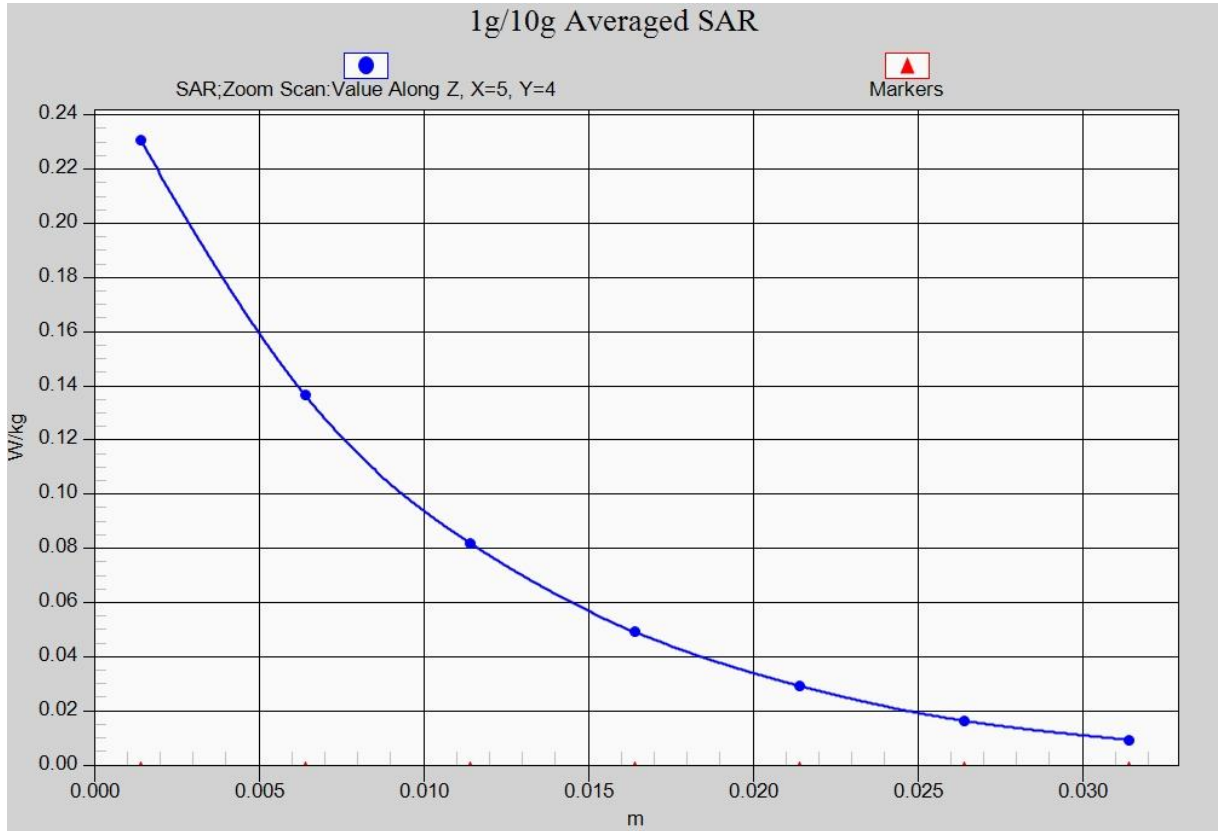


Fig. 24-1 Z-Scan at power reference point (LTE Band30)

LTE Band30 Body Rear with QPSK_10M_1RB_Middle

Date: 2019-5-24

Electronics: DAE4 Sn1525

Medium: Body 2300 MHz

Medium parameters used: $f = 2310$ MHz; $\sigma = 1.907$ mho/m; $\epsilon_r = 52.925$; $\rho = 1000$ kg/m³

Ambient Temperature: 22.9°C Liquid Temperature: 22.5°C

Communication System: LTE Band30 Frequency: 2310 MHz Duty Cycle: 1:1

Probe: EX3DV4– SN7514 ConvF(7.25, 7.25, 7.25)

Area Scan (161x91x1): Interpolated grid: dx=1.000 mm, dy=1.000 mm

Maximum value of SAR (interpolated) = 1.10 W/kg

Zoom Scan (7x9x7)/Cube 0: Measurement grid: dx=5mm, dy=5mm, dz=5mm

Reference Value = 5.807 V/m; Power Drift = 0.03 dB

Peak SAR (extrapolated) = 1.36 W/kg

SAR(1 g) = 0.730 W/kg; SAR(10 g) = 0.348 W/kg

Maximum value of SAR (measured) = 1.07 W/kg

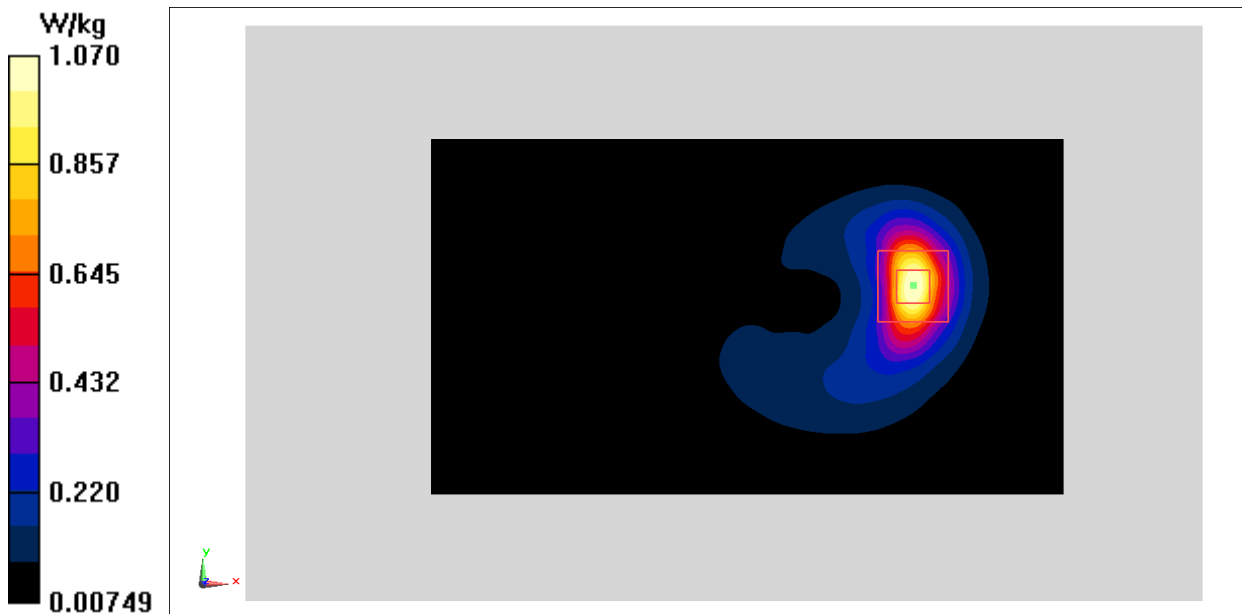


Fig.25 LTE Band30

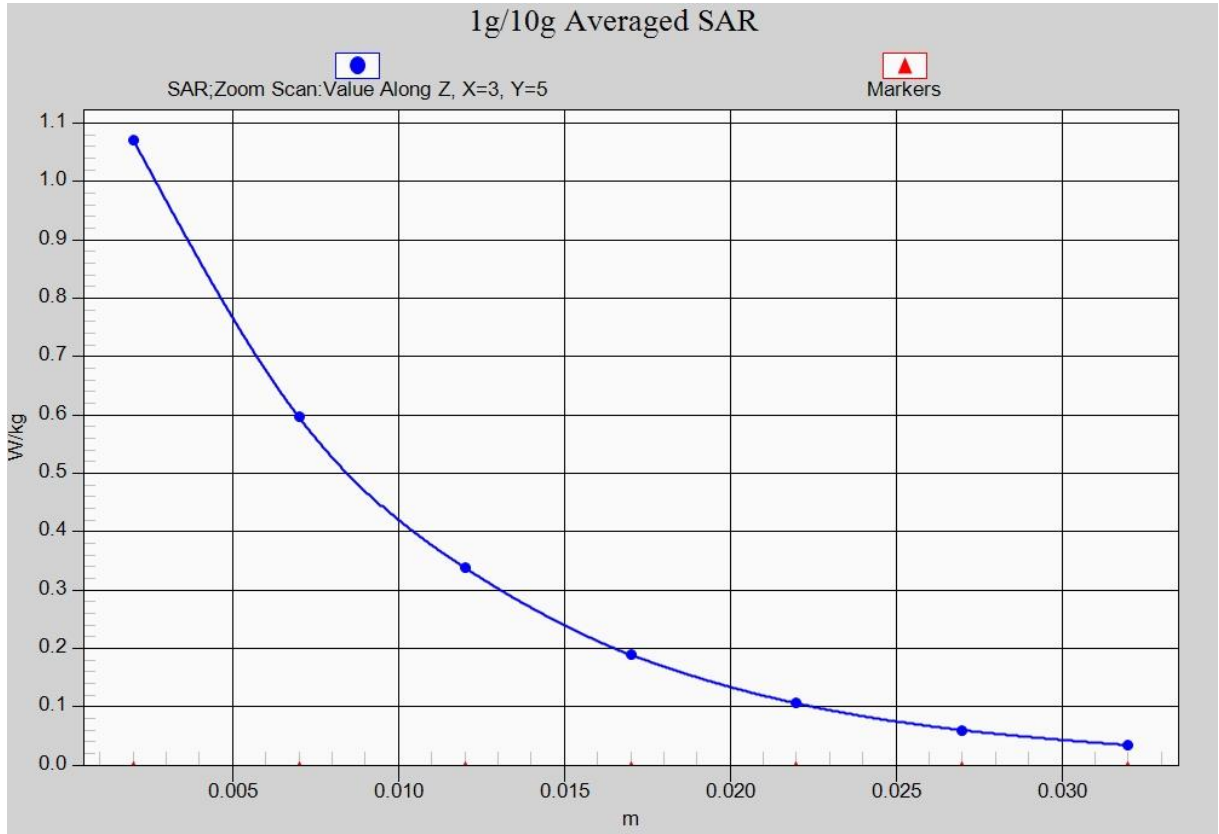


Fig. 25-1 Z-Scan at power reference point (LTE Band30)

LTE Band30 Body Rear with QPSK_10M_1RB_Middle

Date: 2019-5-24

Electronics: DAE4 Sn1525

Medium: Body 2300 MHz

Medium parameters used: $f = 2310$ MHz; $\sigma = 1.907$ mho/m; $\epsilon_r = 52.925$; $\rho = 1000$ kg/m³

Ambient Temperature: 22.9°C Liquid Temperature: 22.5°C

Communication System: LTE Band30 Frequency: 2310 MHz Duty Cycle: 1:1

Probe: EX3DV4– SN7514 ConvF(7.25, 7.25, 7.25)

Area Scan (81x151x1): Interpolated grid: dx=1.000 mm, dy=1.000 mm

Maximum value of SAR (interpolated) = 1.40 W/kg

Zoom Scan (7x7x7)/Cube 0: Measurement grid: dx=5mm, dy=5mm, dz=5mm

Reference Value = 5.466 V/m; Power Drift = 0.16 dB

Peak SAR (extrapolated) = 2.65 W/kg

SAR(1 g) = 1.1 W/kg; SAR(10 g) = 0.519 W/kg

Maximum value of SAR (measured) = 1.40 W/kg

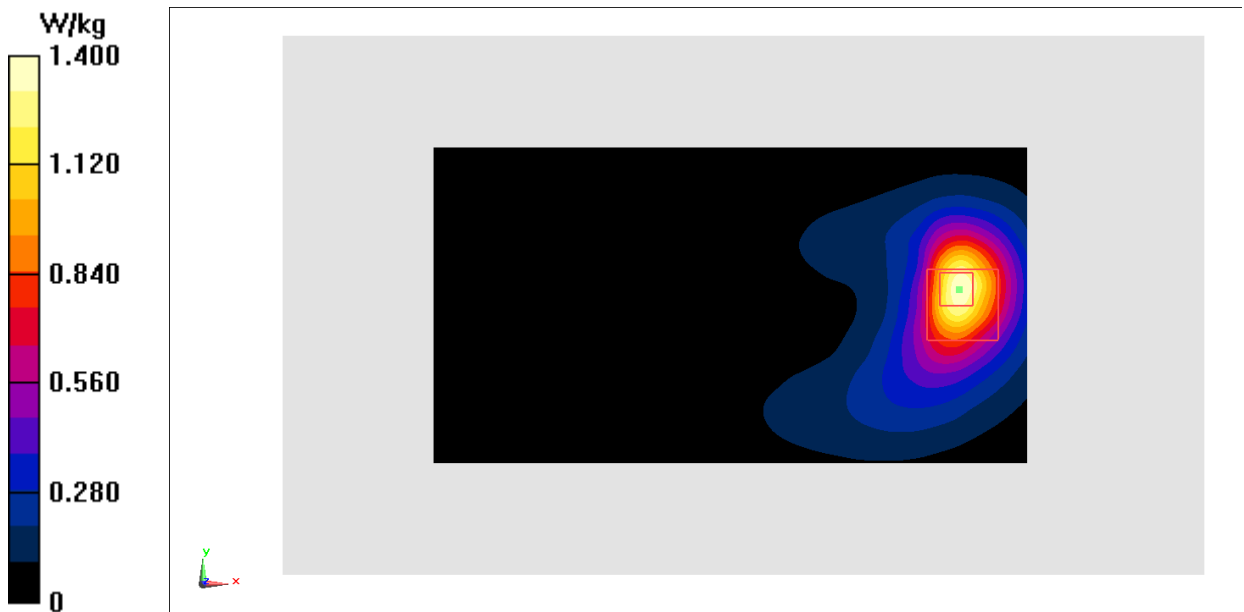


Fig.26 LTE Band30

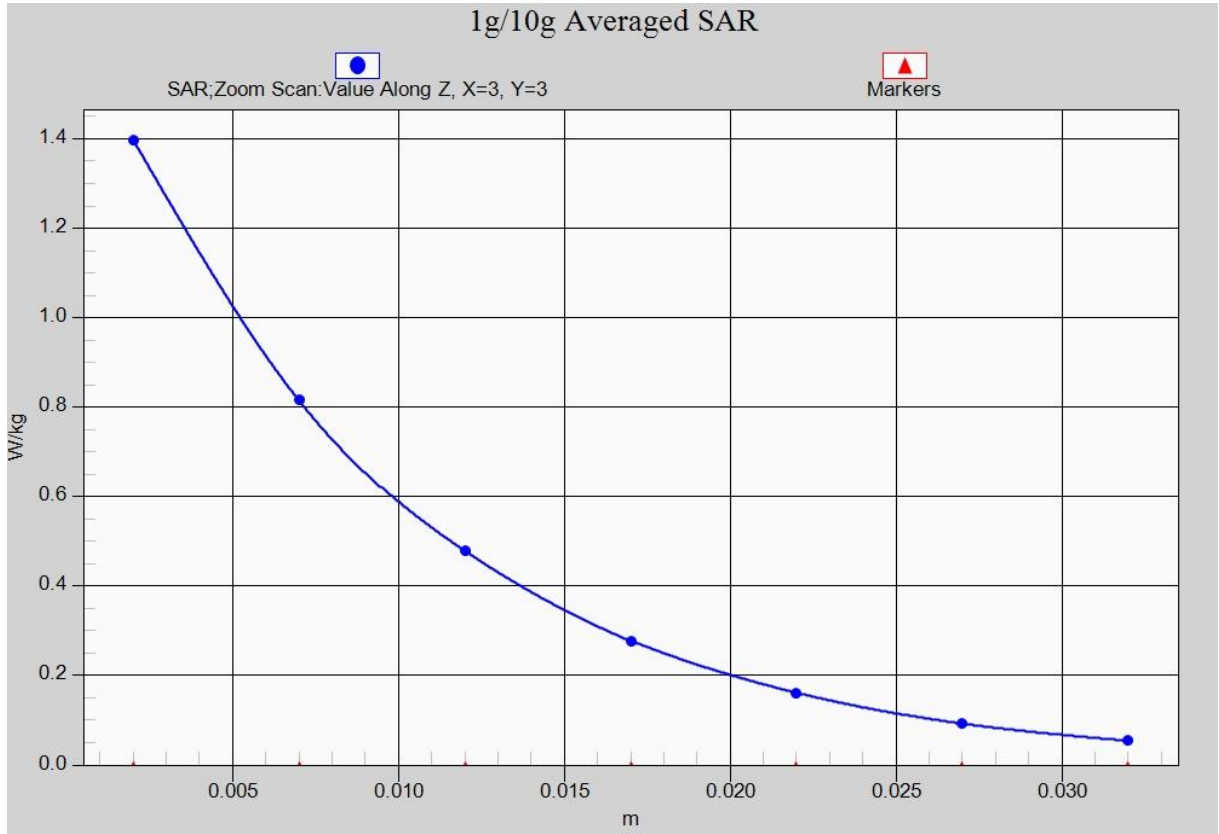


Fig. 26-1 Z-Scan at power reference point (LTE Band30)

Wifi 802.11b Left Cheek Channel 11

Date: 2019-5-24

Electronics: DAE4 Sn1525

Medium: Head 2450 MHz

Medium parameters used (interpolated): $f = 2462$ MHz; $\sigma = 1.82$ mho/m; $\epsilon_r = 38.88$; $\rho = 1000$ kg/m³

Ambient Temperature: 22.9°C Liquid Temperature: 22.5°C

Communication System: WLAN 2450 Frequency: 2462 MHz Duty Cycle: 1:1

Probe: EX3DV4- SN7514 ConvF(6.95, 6.95, 6.95)

Area Scan (91x151x1): Interpolated grid: dx=1.000 mm, dy=1.000 mm

Maximum value of SAR (interpolated) = 1.41 W/kg

Zoom Scan (8x8x7)/Cube 0: Measurement grid: dx=5mm, dy=5mm, dz=5mm

Reference Value = 15.59 V/m; Power Drift = 0.08 dB

Peak SAR (extrapolated) = 2.00 W/kg

SAR(1 g) = 0.940 W/kg; SAR(10 g) = 0.447 W/kg

Maximum value of SAR (measured) = 1.42 W/kg

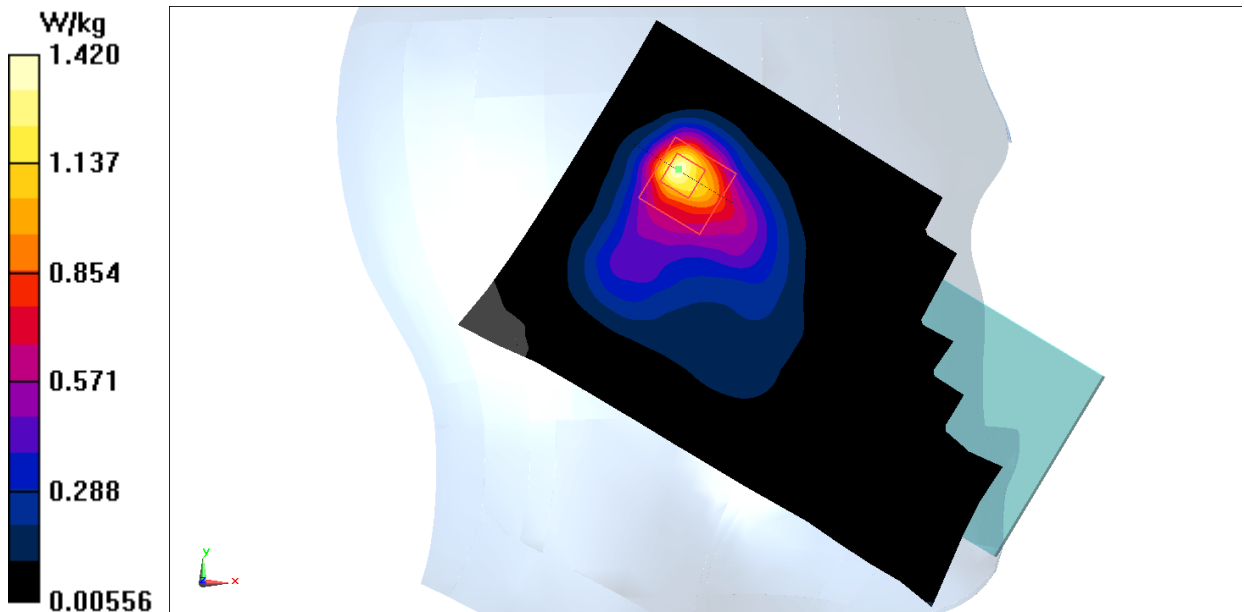


Fig.27 2450 MHz

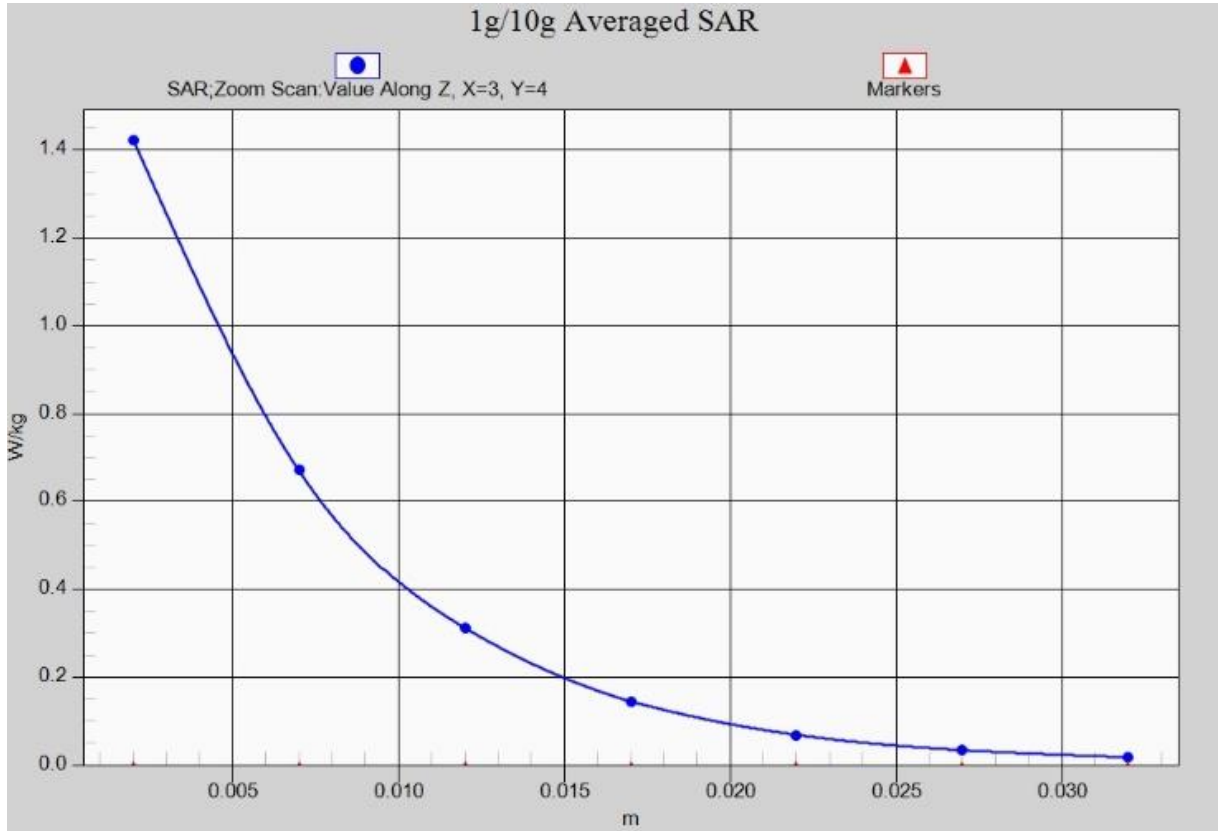


Fig. 27-1 Z-Scan at power reference point (2450 MHz)

Wifi 802.11b Body Rear Channel 1

Date: 2019-5-24

Electronics: DAE4 Sn1525

Medium: Body 2450 MHz

Medium parameters used (interpolated): $f = 2412$ MHz; $\sigma = 1.938$ mho/m; $\epsilon_r = 52.2$; $\rho = 1000$ kg/m³

Ambient Temperature: 22.9°C Liquid Temperature: 22.5°C

Communication System: WLAN 2450 Frequency: 2412 MHz Duty Cycle: 1:1

Probe: EX3DV4 – SN7514 ConvF(7.13, 7.13, 7.13)

Area Scan (161x91x1): Interpolated grid: dx=1.000 mm, dy=1.000 mm

Maximum value of SAR (interpolated) = 0.189 W/kg

Zoom Scan (8x9x7)/Cube 0: Measurement grid: dx=5mm, dy=5mm, dz=5mm

Reference Value = 6.568 V/m; Power Drift = -0.06 dB

Peak SAR (extrapolated) = 0.248 W/kg

SAR(1 g) = 0.128 W/kg; SAR(10 g) = 0.070 W/kg

Maximum value of SAR (measured) = 0.183 W/kg

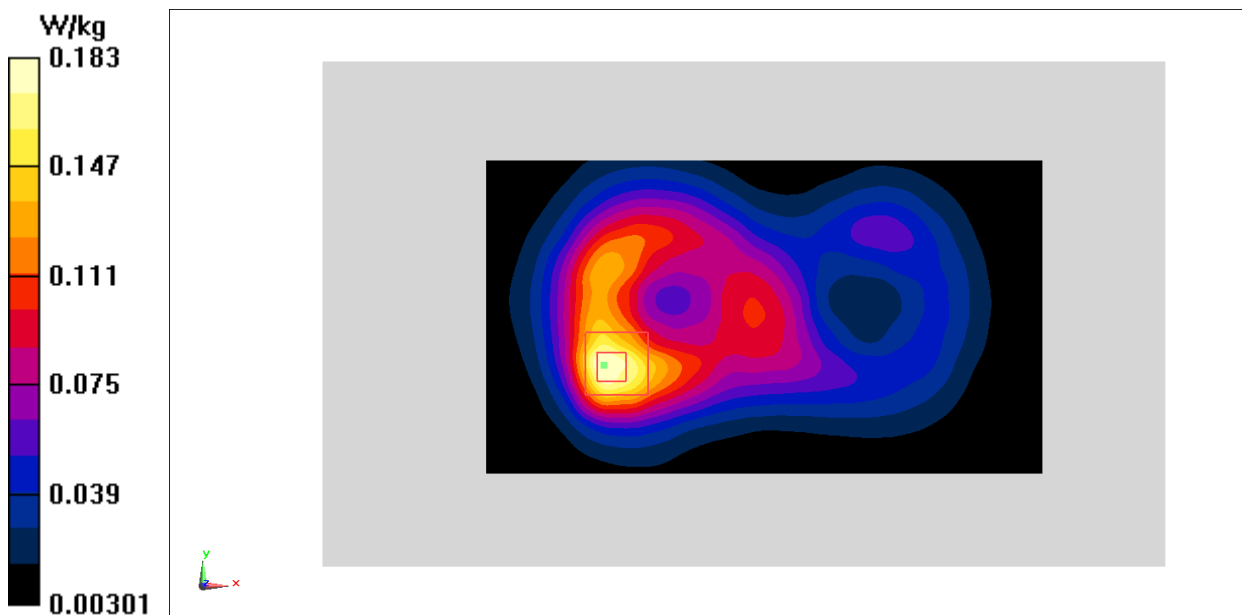


Fig.28 2450 MHz

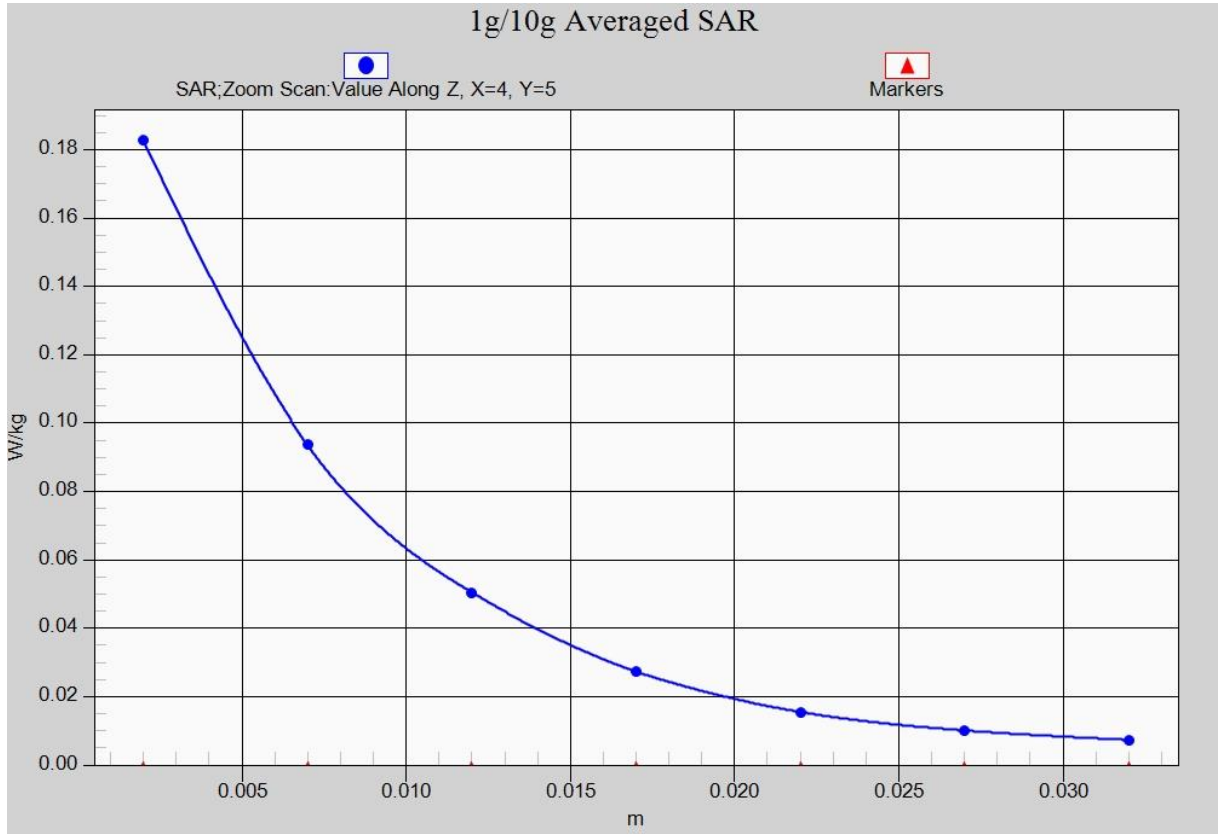


Fig. 28-1 Z-Scan at power reference point (2450 MHz)

ANNEX B System Verification Results

750MHz

Date: 2019-5-20

Electronics: DAE4 Sn1525

Medium: Head 750 MHz

Medium parameters used: $f = 750$ MHz; $\sigma = 0.886$ mho/m; $\epsilon_r = 42.31$; $\rho = 1000$ kg/m³

Ambient Temperature: 22.9°C Liquid Temperature: 22.5°C

Communication System: CW Frequency: 750 MHz Duty Cycle: 1:1

Probe: EX3DV4 – SN7514 ConvF(9.47, 9.47, 9.47)

System Validation /Area Scan (81x191x1): Interpolated grid: dx=1.000 mm, dy=1.000 mm

Reference Value = 49.217 V/m; Power Drift = -0.07 dB

Fast SAR: SAR(1 g) = 2.07 W/kg; SAR(10 g) = 1.40 W/kg

Maximum value of SAR (interpolated) = 2.20 W/kg

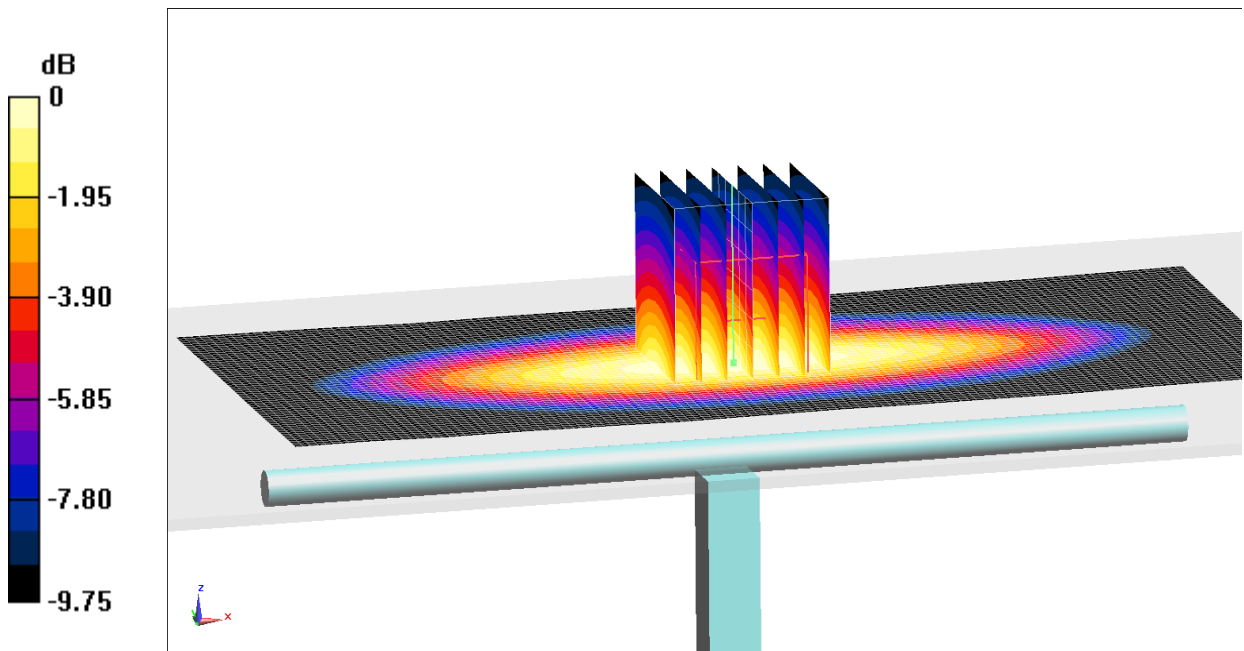
System Validation /Zoom Scan (7x7x7)/Cube 0: Measurement grid: dx=5mm, dy=5mm, dz=5mm

Reference Value = 49.217 V/m; Power Drift = -0.07 dB

Peak SAR (extrapolated) = 2.84 W/kg

SAR(1 g) = 2.05 W/kg; SAR(10 g) = 1.38 W/kg

Maximum value of SAR (measured) = 2.18 W/kg



0 dB = 2.18 W/kg = 3.38 dB W/kg

Fig.B.1 validation 750MHz 250mW

750MHz

Date: 2019-5-20

Electronics: DAE4 Sn1525

Medium: Body750 MHz

Medium parameters used: $f = 750 \text{ MHz}$; $\sigma = 0.944 \text{ mho/m}$; $\epsilon_r = 56.42$; $\rho = 1000 \text{ kg/m}^3$

Ambient Temperature: 22.9°C Liquid Temperature: 22.5°C

Communication System: CW Frequency: 750 MHz Duty Cycle: 1:1

Probe: EX3DV4 – SN7514 ConvF(9.68, 9.68, 9.68)

System Validation/Area Scan (81x191x1): Interpolated grid: $dx=1.000 \text{ mm}$, $dy=1.000 \text{ mm}$

Reference Value = 51.669 V/m ; Power Drift = -0.05 dB

Fast SAR: SAR(1 g) = 2.16 W/kg ; SAR(10 g) = 1.42 W/kg

Maximum value of SAR (interpolated) = 2.41 W/kg

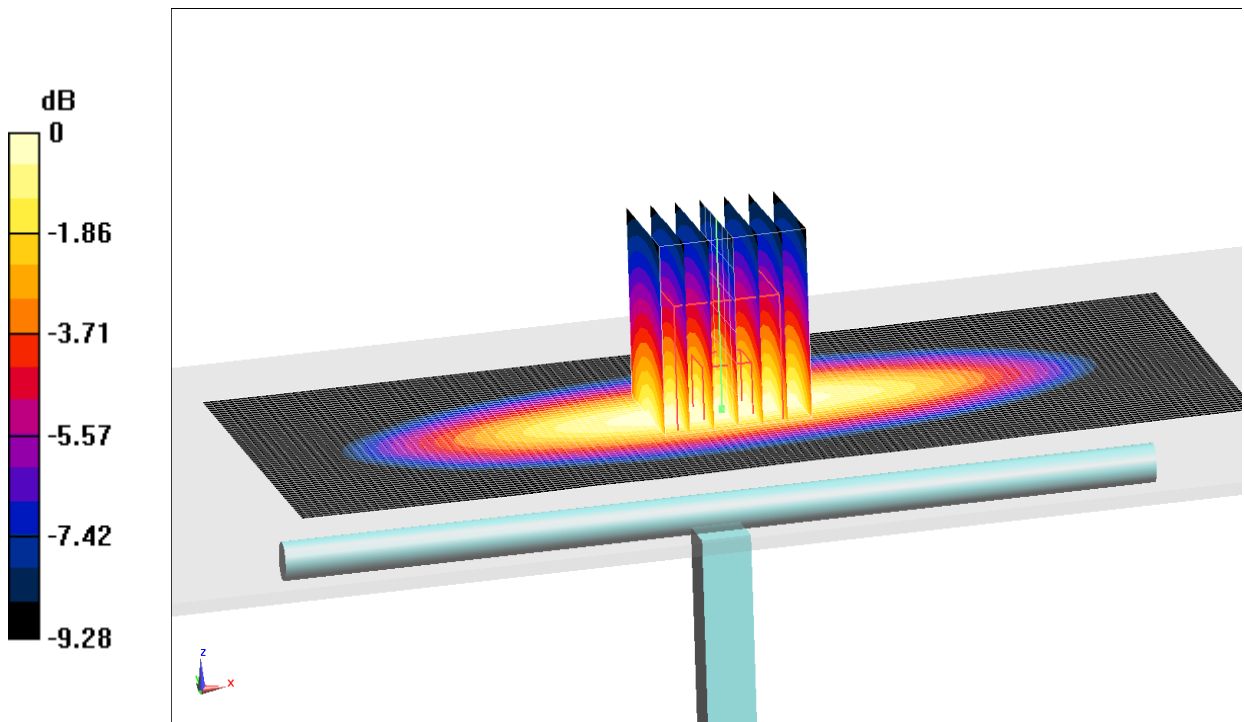
System Validation/Zoom Scan (7x7x7)/Cube 0: Measurement grid: $dx=5\text{mm}$, $dy=5\text{mm}$, $dz=5\text{mm}$

Reference Value = 51.669 V/m ; Power Drift = -0.05 dB

Peak SAR (extrapolated) = 3.06 W/kg

SAR(1 g) = 2.19 W/kg ; SAR(10 g) = 1.44 W/kg

Maximum value of SAR (measured) = 2.43 W/kg



0 dB = $2.43 \text{ W/kg} = 3.86 \text{ dB W/kg}$

Fig.B.2 validation 750MHz 250mW

835MHz

Date: 2019-5-21

Electronics: DAE4 Sn1525

Medium: Head 850 MHz

Medium parameters used: $f = 835 \text{ MHz}$; $\sigma = 0.908 \text{ S/m}$; $\epsilon_r = 41.76$; $\rho = 1000 \text{ kg/m}^3$

Ambient Temperature: 22.9°C Liquid Temperature: 22.5°C

Communication System: CW Frequency: 835 MHz Duty Cycle: 1:1

Probe: EX3DV4 – SN7514 ConvF(9.09, 9.09, 9.09)

System Validation/Area Scan (61x121x1): Interpolated grid: $dx=1.000 \text{ mm}$, $dy=1.000 \text{ mm}$

Reference Value = 54.82 V/m ; Power Drift = 0.04 dB

Fast SAR: SAR(1 g) = 2.41 W/kg ; SAR(10 g) = 1.55 W/kg

Maximum value of SAR (interpolated) = 2.60 W/kg

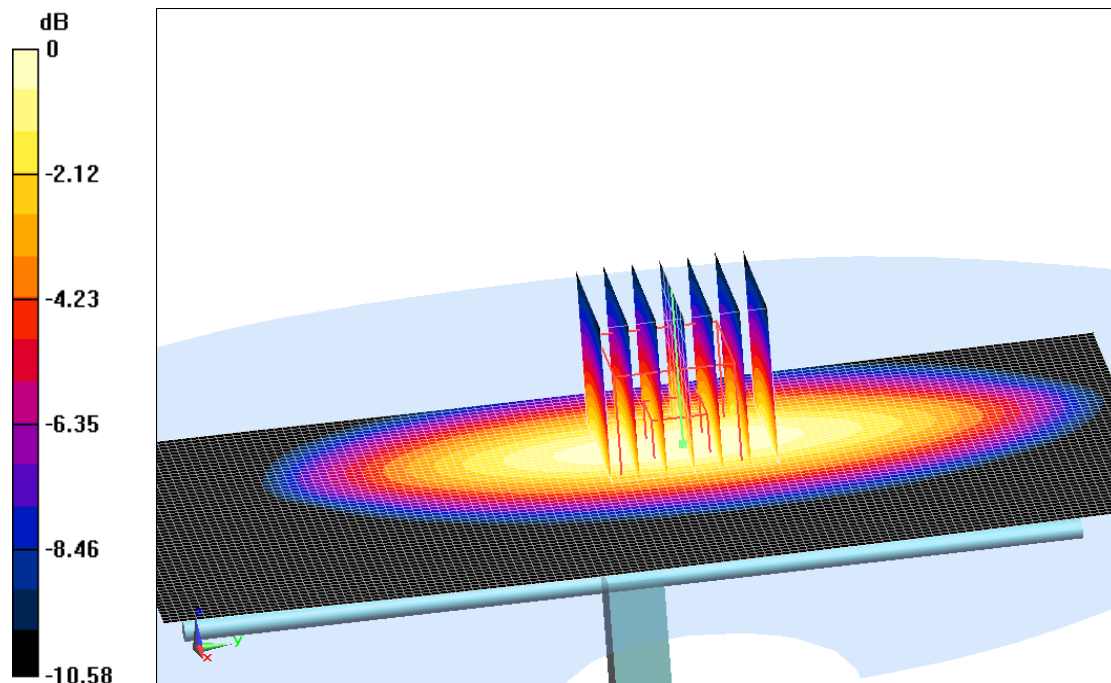
System Validation/Zoom Scan (7x7x7)/Cube 0: Measurement grid: $dx=5\text{mm}$, $dy=5\text{mm}$, $dz=5\text{mm}$

Reference Value = 54.82 V/m ; Power Drift = 0.04 dB

Peak SAR (extrapolated) = 3.14 W/kg

SAR(1 g) = 2.37 W/kg ; SAR(10 g) = 1.53 W/kg

Maximum value of SAR (measured) = 2.57 W/kg



0 dB = 2.57 W/kg = 4.00 dBW/kg

Fig.B.3 validation 835MHz 250mW

835MHz

Date: 2019-5-21

Electronics: DAE4 Sn1525

Medium: Body 850 MHz

Medium parameters used: $f = 835 \text{ MHz}$; $\sigma = 0.979 \text{ S/m}$; $\epsilon_r = 55.91$; $\rho = 1000 \text{ kg/m}^3$

Ambient Temperature: 22.9°C Liquid Temperature: 22.5°C

Communication System: CW Frequency: 835 MHz Duty Cycle: 1:1

Probe: EX3DV4 – SN7514 ConvF(9.47, 9.47, 9.47)

System Validation /Area Scan (61x121x1): Interpolated grid: $dx=1.000 \text{ mm}$, $dy=1.000 \text{ mm}$

Reference Value = 52.95 V/m ; Power Drift = -0.04 dB

Fast SAR: SAR(1 g) = 2.38 W/kg ; SAR(10 g) = 1.56 W/kg

Maximum value of SAR (interpolated) = 2.72 W/kg

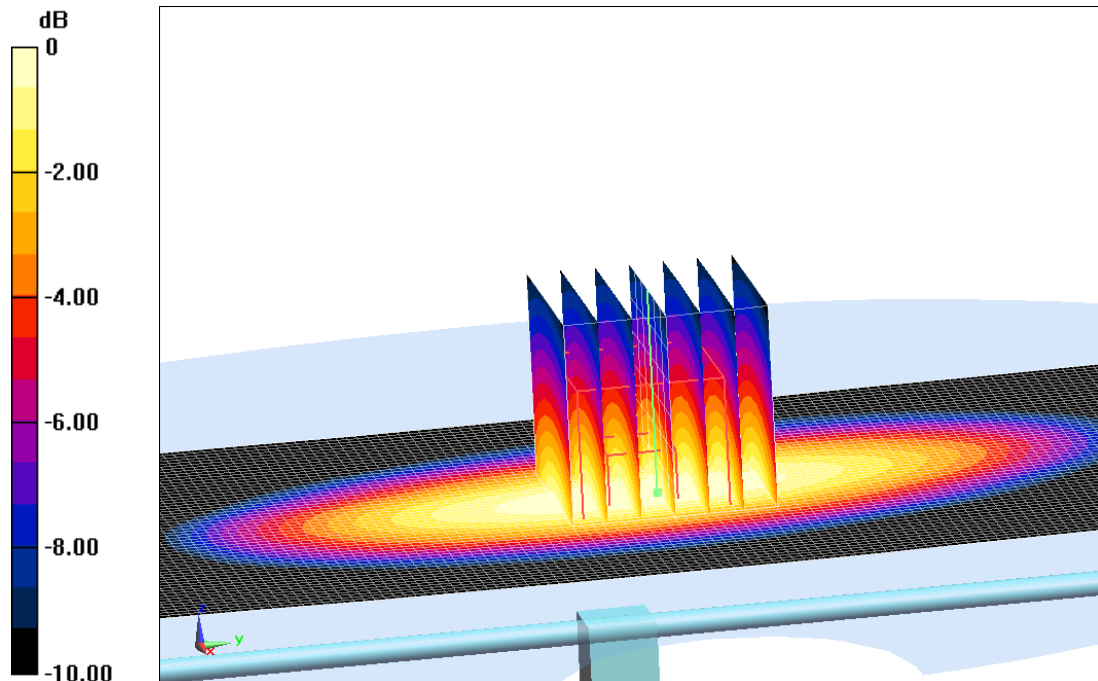
System Validation /Zoom Scan (7x7x7)/Cube 0: Measurement grid: $dx=5\text{mm}$, $dy=5\text{mm}$, $dz=5\text{mm}$

Reference Value = 52.95 V/m ; Power Drift = -0.04 dB

Peak SAR (extrapolated) = 3.19 W/kg

SAR(1 g) = 2.43 W/kg ; SAR(10 g) = 1.59 W/kg

Maximum value of SAR (measured) = 2.76 W/kg



0 dB = 2.76 W/kg = 4.41 dBW/kg

Fig.B.4 validation 835MHz 250mW

1750MHz

Date: 2019-5-22

Electronics: DAE4 Sn1525

Medium: Head 1750 MHz

Medium parameters used: $f=1750$ MHz; $\sigma = 1.421$ mho/m; $\epsilon_r = 40.41$; $\rho = 1000$ kg/m³

Ambient Temperature: 22.9°C Liquid Temperature: 22.5°C

Communication System: CW Frequency: 1750 MHz Duty Cycle: 1:1

Probe: EX3DV4 – SN7514 ConvF(8.10, 8.10, 8.10)

System Validation/Area Scan (81x121x1): Interpolated grid: dx=1.000 mm, dy=1.000 mm

Reference Value = 89.61 V/m; Power Drift = 0.06 dB

Fast SAR: SAR(1 g) = 9.08 W/kg; SAR(10 g) = 4.80 W/kg

Maximum value of SAR (interpolated) = 10.0 W/kg

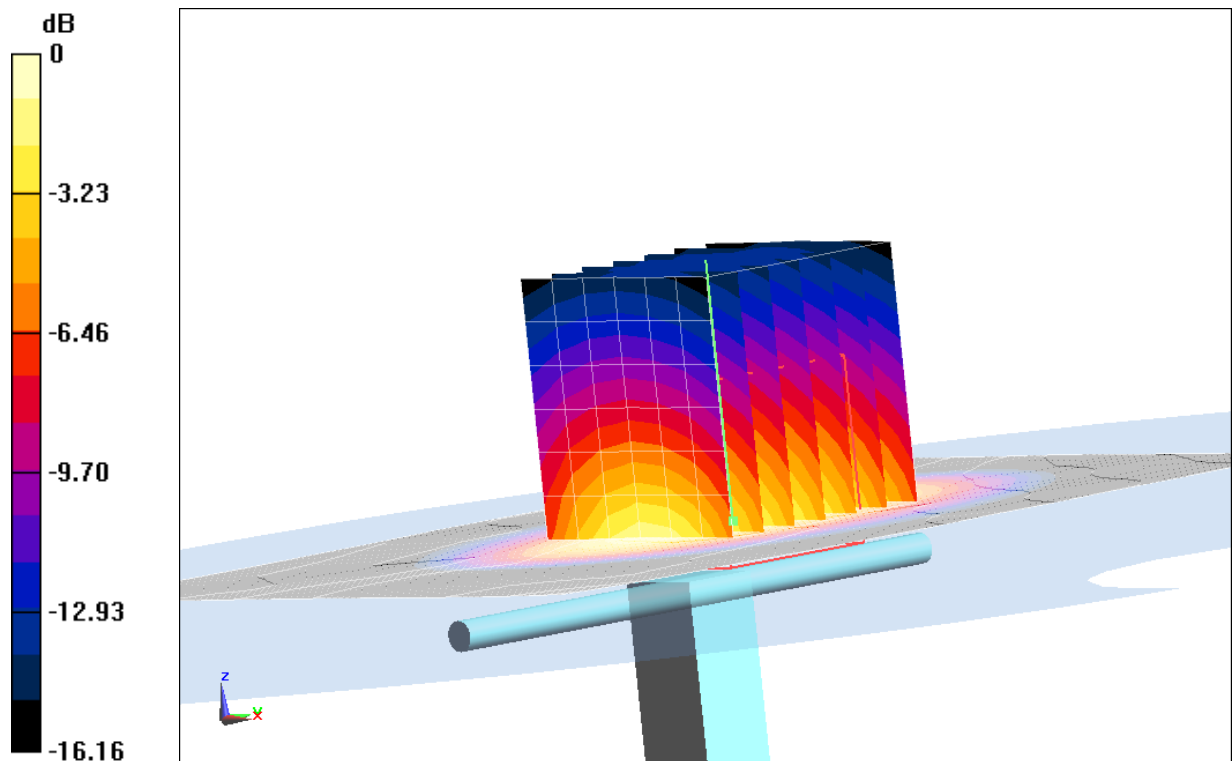
System Validation/Zoom Scan (7x7x7)/Cube 0: Measurement grid: dx=5mm, dy=5mm, dz=5mm

Reference Value = 89.61 V/m; Power Drift = 0.06 dB

Peak SAR (extrapolated) = 15.59 W/kg

SAR(1 g) = 9.18 W/kg; SAR(10 g) = 4.88 W/kg

Maximum value of SAR (measured) = 10.1 W/kg



0 dB = 10.1 W/kg = 10.04 dB W/kg

Fig.B.5 validation 1750MHz 250mW

1750MHz

Date: 2019-5-22

Electronics: DAE4 Sn1525

Medium: Body 1750 MHz

Medium parameters used: $f=1750$ MHz; $\sigma = 1.506$ mho/m; $\epsilon_r = 53.72$; $\rho = 1000$ kg/m³

Ambient Temperature: 22.9°C Liquid Temperature: 22.5°C

Communication System: CW Frequency: 1750 MHz Duty Cycle: 1:1

Probe: EX3DV4 – SN7514 ConvF(7.82, 7.82, 7.82)

System Validation/Area Scan (81x121x1): Interpolated grid: dx=1.000 mm, dy=1.000 mm

Reference Value = 95.17 V/m; Power Drift = -0.03 dB

Fast SAR: SAR(1 g) = 9.51 W/kg; SAR(10 g) = 5.07 W/kg

Maximum value of SAR (interpolated) = 10.4 W/kg

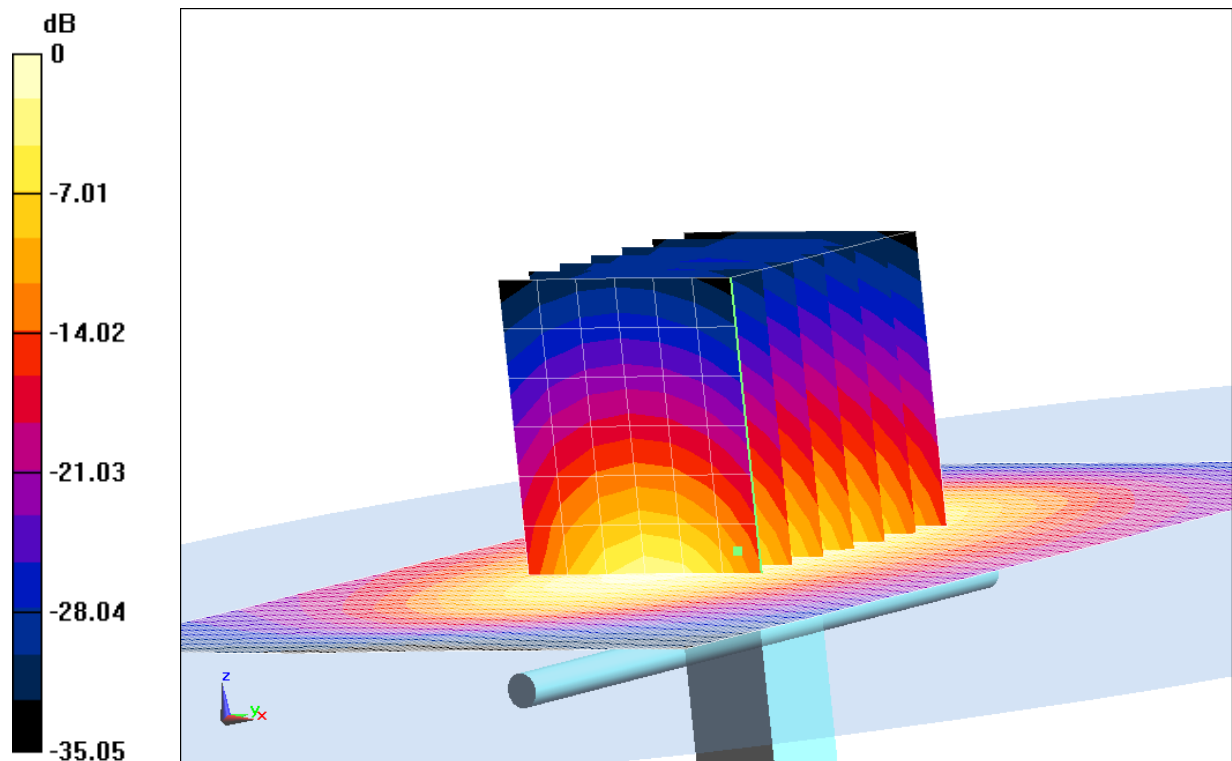
System Validation/Zoom Scan (7x7x7)/Cube 0: Measurement grid: dx=5mm, dy=5mm, dz=5mm

Reference Value = 95.17 V/m; Power Drift = -0.03 dB

Peak SAR (extrapolated) = 15.54 W/kg

SAR(1 g) = 9.42 W/kg; SAR(10 g) = 4.99 W/kg

Maximum value of SAR (measured) = 10.3 W/kg



0 dB = 10.3 W/kg = 10.13 dB W/kg

Fig.B.6 validation 1750MHz 250mW

1900MHz

Date: 2019-5-23

Electronics: DAE4 Sn1525

Medium: Head 1900 MHz

Medium parameters used: $f = 1900 \text{ MHz}$; $\sigma = 1.411 \text{ mho/m}$; $\epsilon_r = 40.61$; $\rho = 1000 \text{ kg/m}^3$

Ambient Temperature: 22.9°C Liquid Temperature: 22.5°C

Communication System: CW Frequency: 1900 MHz Duty Cycle: 1:1

Probe: EX3DV4 – SN7514 ConvF (7.73, 7.73, 7.73)

System Validation /Area Scan(61x81x1): Interpolated grid: $dx=1.000 \text{ mm}$, $dy=1.000 \text{ mm}$

Reference Value = 92.19 V/m ; Power Drift = 0.05 dB

SAR(1 g) = 10.4 W/kg ; SAR(10 g) = 5.52 W/kg

Maximum value of SAR (interpolated) = 12.6 W/kg

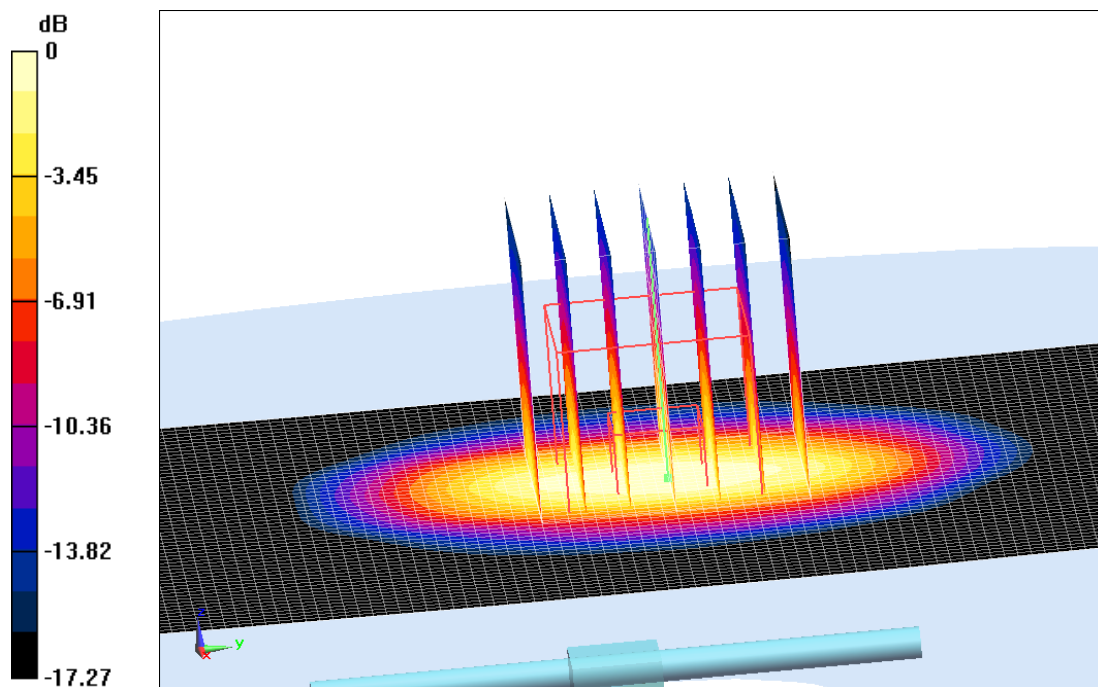
System Validation /Zoom Scan (7x7x7)/Cube 0: Measurement grid: $dx=5\text{mm}$, $dy=5\text{mm}$, $dz=5\text{mm}$

Reference Value = 92.19 V/m ; Power Drift = 0.05 dB

Peak SAR (extrapolated) = 18.05 W/kg

SAR(1 g) = 10.2 W/kg ; SAR(10 g) = 5.38 W/kg

Maximum value of SAR (measured) = 12.4 W/kg



$0 \text{ dB} = 12.4 \text{ W/kg} = 10.93 \text{ dBW/kg}$

Fig.B.7 validation 1900MHz 250mW

1900MHz

Date: 2019-5-23

Electronics: DAE4 Sn1525

Medium: Body 1900 MHz

Medium parameters used: $f = 1900 \text{ MHz}$; $\sigma = 1.527 \text{ S/m}$; $\epsilon_r = 52.71$; $\rho = 1000 \text{ kg/m}^3$

Ambient Temperature: 22.9°C Liquid Temperature: 22.5°C

Communication System: CW Frequency: 1900 MHz Duty Cycle: 1:1

Probe: EX3DV4 – SN7514 ConvF(7.53, 7.53, 7.53)

System Validation/Area Scan (81x121x1): Interpolated grid: $dx=1.000 \text{ mm}$, $dy=1.000 \text{ mm}$

Reference Value = 94.27 V/m ; Power Drift = -0.03 dB

Fast SAR: SAR(1 g) = 10.5 W/kg ; SAR(10 g) = 5.58 W/kg

Maximum value of SAR (interpolated) = 12.5 W/kg

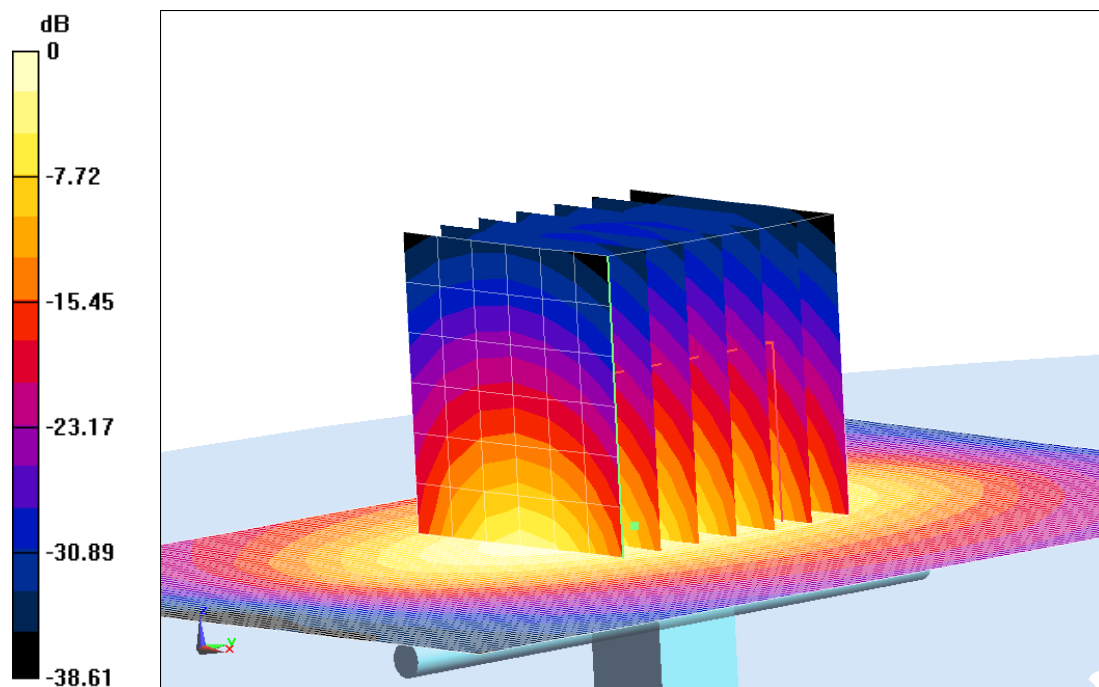
System Validation/Zoom Scan (7x7x7)/Cube 0: Measurement grid: $dx=5\text{mm}$, $dy=5\text{mm}$, $dz=5\text{mm}$

Reference Value = 94.27 V/m ; Power Drift = -0.03 dB

Peak SAR (extrapolated) = 19.18 W/kg

SAR(1 g) = 10.4 W/kg ; SAR(10 g) = 5.49 W/kg

Maximum value of SAR (measured) = 12.4 W/kg



$0 \text{ dB} = 12.4 \text{ W/kg} = 10.93 \text{ dB W/kg}$

Fig.B.8 validation 1900MHz 250mW

2300MHz

Date: 2019-5-24

Electronics: DAE4 Sn1525

Medium: Head 2300 MHz

Medium parameters used: $f = 2300$ MHz; $\sigma = 1.648$ mho/m; $\epsilon_r = 39.21$; $\rho = 1000$ kg/m³

Ambient Temperature: 22.9°C Liquid Temperature: 22.5°C

Communication System: CW Frequency: 2300 MHz Duty Cycle: 1:1

Probe: EX3DV4 – SN7514 ConvF(7.42, 7.42, 7.42)

System Validation /Area Scan (61x81x1): Interpolated grid: dx=1.000 mm, dy=1.000 mm

Reference Value = 103.8 V/m; Power Drift = -0.02 dB

SAR(1 g) = 12.1 W/kg; SAR(10 g) = 5.81 W/kg

Maximum value of SAR (interpolated) = 19.4 W/kg

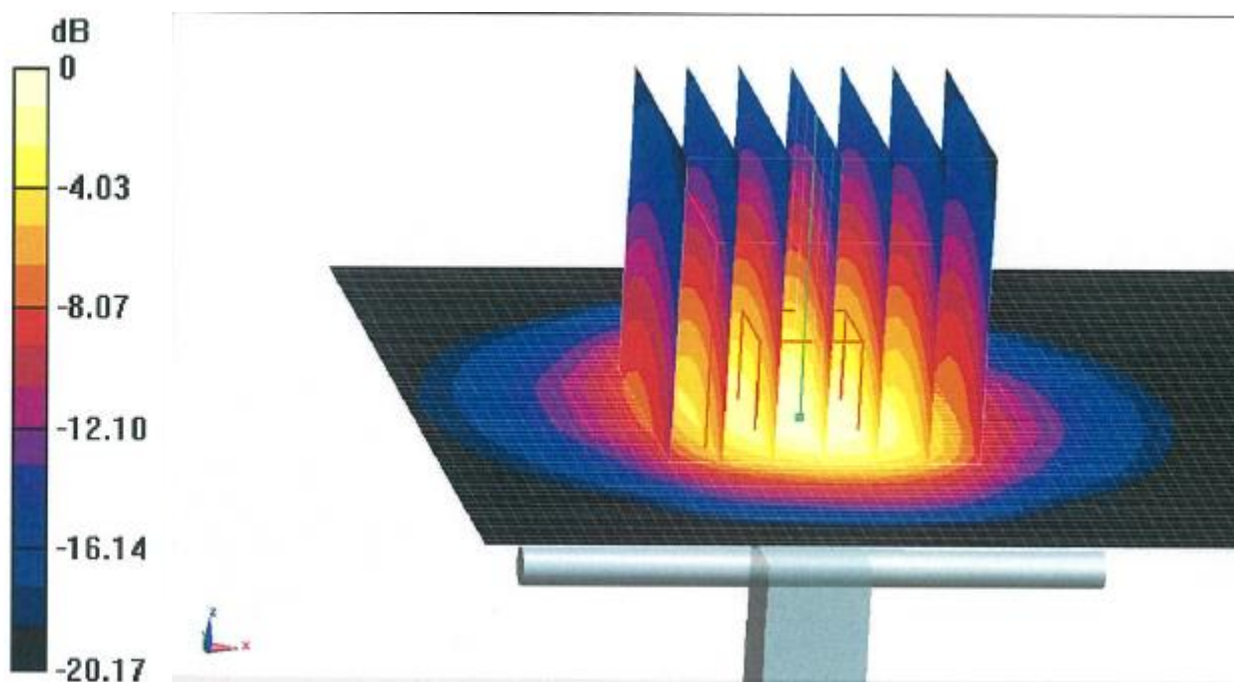
System Validation /Zoom Scan (7x7x7)/Cube 0: Measurement grid: dx=5mm, dy=5mm, dz=5mm

Reference Value = 103.8 V/m; Power Drift = -0.02 dB

Peak SAR (extrapolated) = 23.6 W/kg

SAR(1 g) = 12.3 W/kg; SAR(10 g) = 5.99 W/kg

Maximum value of SAR (measured) = 19.6 W/kg



0 dB = 19.6 W/kg = 12.92 dBW/kg

Fig.B.9 validation 2300MHz 250mW

2300MHz

Date: 2019-5-24

Electronics: DAE4 Sn1525

Medium: Body 2300 MHz

Medium parameters used: $f = 2300$ MHz; $\sigma = 1.903$ mho/m; $\epsilon_r = 52.87$; $\rho = 1000$ kg/m³

Ambient Temperature: 22.9°C Liquid Temperature: 22.5°C

Communication System: CW Frequency: 2300 MHz Duty Cycle: 1:1

Probe: EX3DV4 – SN7514 ConvF(7.25, 7.25, 7.25)

System Validation /Area Scan (61x81x1): Interpolated grid: dx=1.000 mm, dy=1.000 mm

Reference Value = 100.2 V/m; Power Drift = -0.04 dB

SAR(1 g) = 12.2 W/kg; SAR(10 g) = 5.96 W/kg

Maximum value of SAR (interpolated) = 19.3 W/kg

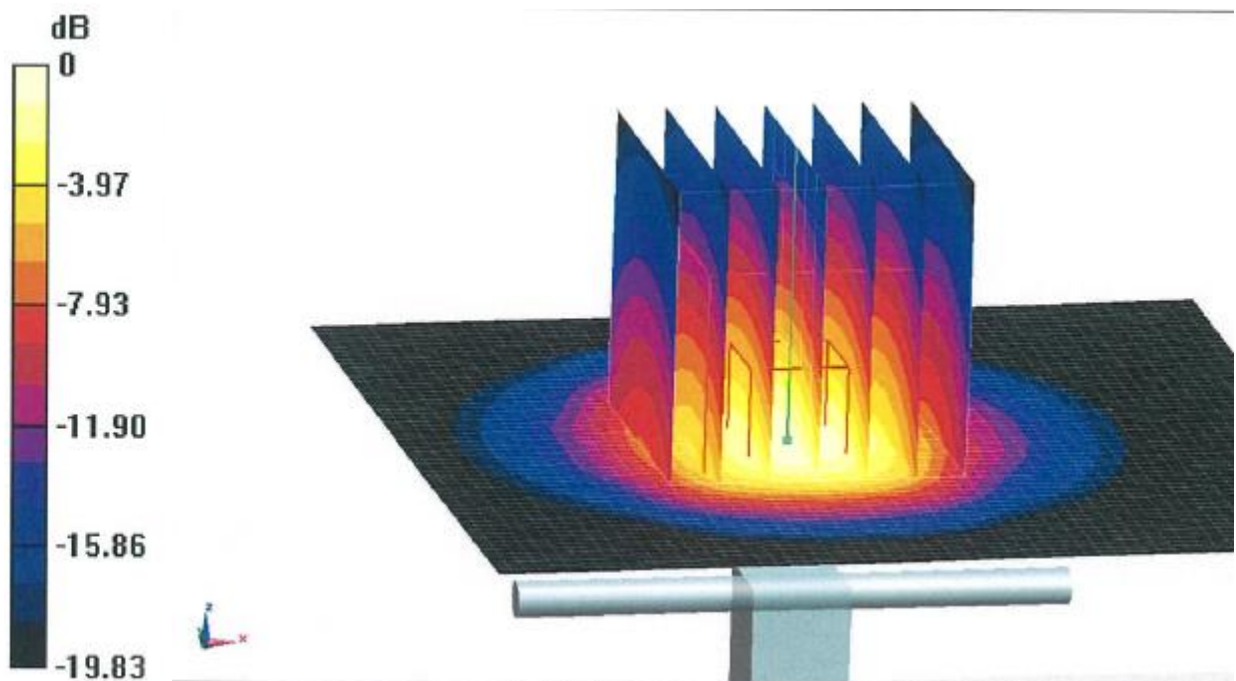
System Validation /Zoom Scan (7x7x7)/Cube 0: Measurement grid: dx=5mm, dy=5mm, dz=5mm

Reference Value = 100.2 V/m; Power Drift = -0.04 dB

Peak SAR (extrapolated) = 23.5 W/kg

SAR(1 g) = 12.0 W/kg; SAR(10 g) = 5.81 W/kg

Maximum value of SAR (measured) = 19.1 W/kg



0 dB = 19.1 W/kg = 12.81 dBW/kg

Fig.B.10 validation 2300MHz 250mW

2450MHz

Date: 2019-5-24

Electronics: DAE4 Sn1525

Medium: Head 2450 MHz

Medium parameters used: $f = 2450 \text{ MHz}$; $\sigma = 1.811 \text{ mho/m}$; $\epsilon_r = 38.91$; $\rho = 1000 \text{ kg/m}^3$

Ambient Temperature: 22.9°C Liquid Temperature: 22.5°C

Communication System: CW Frequency: 2450 MHz Duty Cycle: 1:1

Probe: EX3DV4 – SN7514 ConvF(6.95, 6.95, 6.95)

System Validation /Area Scan (61x81x1): Interpolated grid: $dx=1.000 \text{ mm}$, $dy=1.000 \text{ mm}$

Reference Value = 90.36 V/m ; Power Drift = 0.02 dB

SAR(1 g) = 13.5 W/kg ; SAR(10 g) = 6.46 W/kg

Maximum value of SAR (interpolated) = 16.8 W/kg

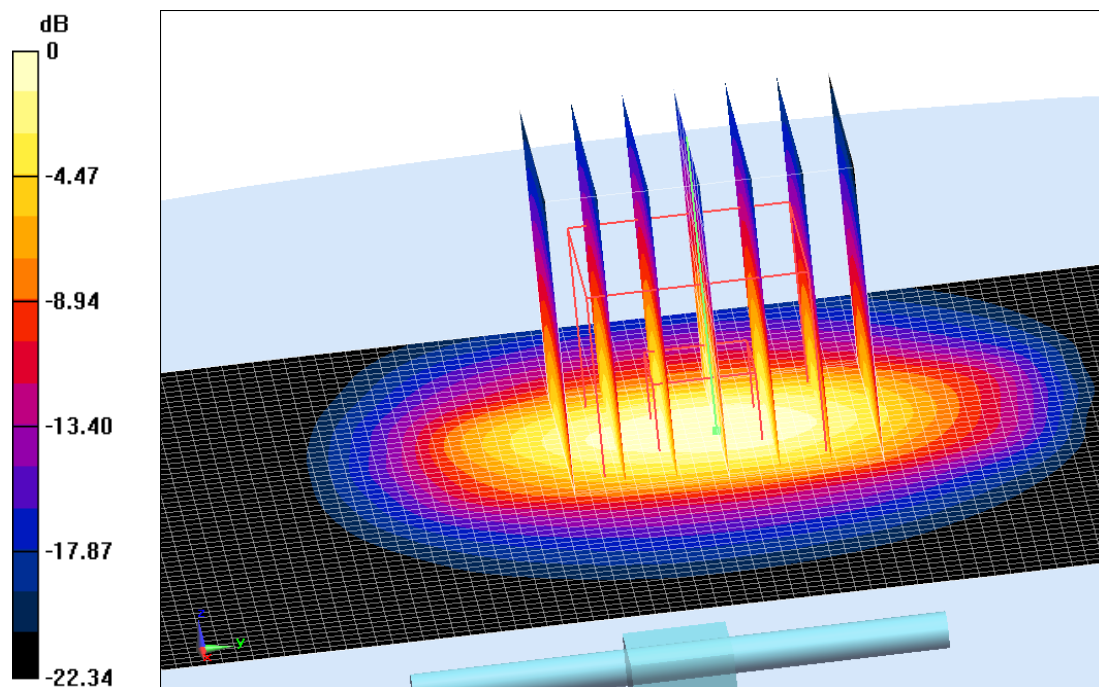
System Validation /Zoom Scan (7x7x7)/Cube 0: Measurement grid: $dx=5\text{mm}$, $dy=5\text{mm}$, $dz=5\text{mm}$

Reference Value = 90.36 V/m ; Power Drift = 0.02 dB

Peak SAR (extrapolated) = 27.41 W/kg

SAR(1 g) = 13.3 W/kg ; SAR(10 g) = 6.27 W/kg

Maximum value of SAR (measured) = 16.5 W/kg



$0 \text{ dB} = 16.5 \text{ W/kg} = 12.17 \text{ dBW/kg}$

Fig.B.11 validation 2450MHz 250mW

2450MHz

Date: 2019-5-24

Electronics: DAE4 Sn1525

Medium: Body 2450 MHz

Medium parameters used: $f = 2450 \text{ MHz}$; $\sigma = 1.982 \text{ S/m}$; $\epsilon_r = 52.09$; $\rho = 1000 \text{ kg/m}^3$

Ambient Temperature: 22.9°C Liquid Temperature: 22.5°C

Communication System: CW Frequency: 2450 MHz Duty Cycle: 1:1

Probe: EX3DV4 – SN7514 ConvF(7.13, 7.13, 7.13)

System Validation/Area Scan (81x101x1): Interpolated grid: $dx=1.000 \text{ mm}$, $dy=1.000 \text{ mm}$

Reference Value = 90.06 V/m ; Power Drift = -0.01 dB

SAR(1 g) = 12.8 W/kg ; SAR(10 g) = 5.92 W/kg

Maximum value of SAR (interpolated) = 14.4 W/kg

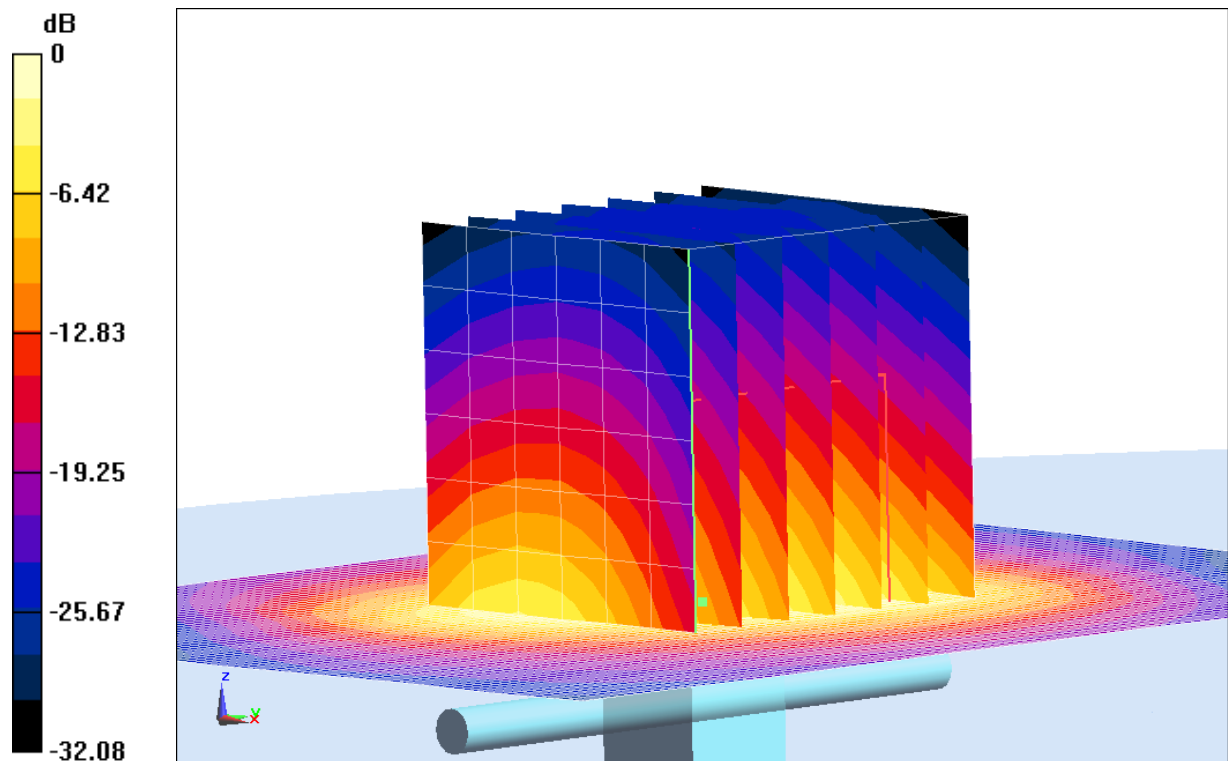
System Validation/Zoom Scan (7x7x7)/Cube 0: Measurement grid: $dx=5\text{mm}$, $dy=5\text{mm}$, $dz=5\text{mm}$

Reference Value = 90.06 V/m ; Power Drift = -0.01 dB

Peak SAR (extrapolated) = 24.63 W/kg

SAR(1 g) = 13.0 W/kg ; SAR(10 g) = 6.08 W/kg

Maximum value of SAR (measured) = 14.6 W/kg



0 dB = 14.6 W/kg = 11.64 dB W/kg

Fig.B.12 validation 2450MHz 250mW

The SAR system verification must be required that the area scan estimated 1-g SAR is within 3% of the zoom scan 1-g SAR.

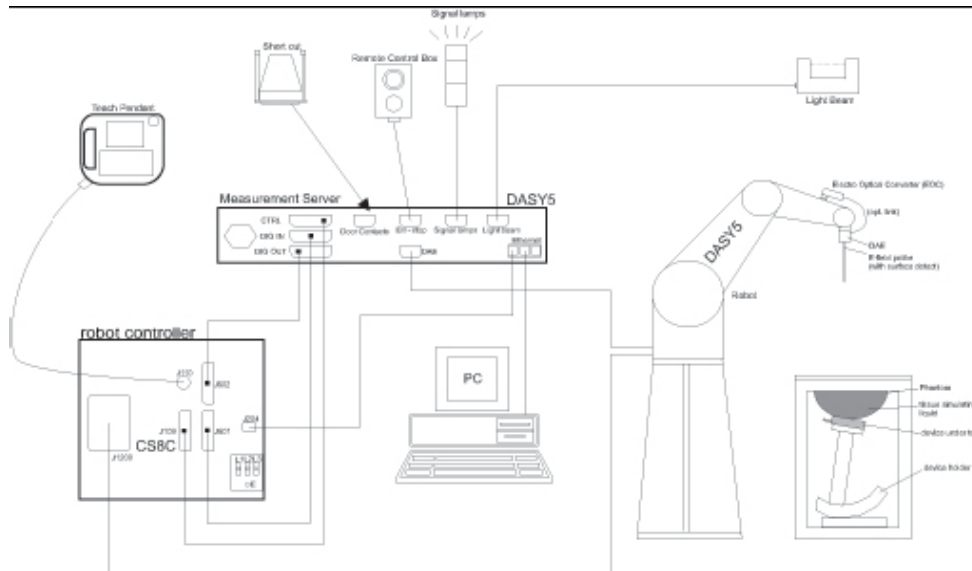
Table B.1 Comparison between area scan and zoom scan for system verification

| Date | Band | Position | Area scan (1g) | Zoom scan (1g) | Drift (%) |
|-------------|-------------|-----------------|---------------------------|---------------------------|------------------|
| 2019-5-20 | 750 | Head | 2.07 | 2.05 | 0.98 |
| | 750 | Body | 2.16 | 2.19 | -1.37 |
| 2019-5-21 | 835 | Head | 2.41 | 2.37 | 1.69 |
| | 835 | Body | 2.38 | 2.43 | -2.06 |
| 2019-5-22 | 1750 | Head | 9.08 | 9.18 | -1.09 |
| | 1750 | Body | 9.51 | 9.42 | 0.96 |
| 2019-5-23 | 1900 | Head | 10.4 | 10.2 | 1.96 |
| | 1900 | Body | 10.5 | 10.4 | 0.96 |
| 2019-5-24 | 2300 | Head | 12.1 | 12.3 | -1.63 |
| | 2300 | Body | 12.2 | 12 | 1.67 |
| 2019-5-24 | 2450 | Head | 13.5 | 13.3 | 1.50 |
| | 2450 | Body | 12.8 | 13 | -1.54 |

ANNEX C SAR Measurement Setup

C.1 Measurement Set-up

The Dasy4 or DASY5 system for performing compliance tests is illustrated above graphically. This system consists of the following items:



Picture C.1 SAR Lab Test Measurement Set-up

- A standard high precision 6-axis robot (Stäubli TX=RX family) with controller, teach pendant and software. An arm extension for accommodating the data acquisition electronics (DAE).
- An isotropic field probe optimized and calibrated for the targeted measurement.
- A data acquisition electronics (DAE) which performs the signal amplification, signal multiplexing, AD-conversion, offset measurements, mechanical surface detection, collision detection, etc. The unit is battery powered with standard or rechargeable batteries. The signal is optically transmitted to the EOC.
- The Electro-optical converter (EOC) performs the conversion from optical to electrical signals for the digital communication to the DAE. To use optical surface detection, a special version of the EOC is required. The EOC signal is transmitted to the measurement server.
- The function of the measurement server is to perform the time critical tasks such as signal filtering, control of the robot operation and fast movement interrupts.
- The Light Beam used is for probe alignment. This improves the (absolute) accuracy of the probe positioning.
- A computer running WinXP and the DASY4 or DASY5 software.
- Remote control and teach pendant as well as additional circuitry for robot safety such as
- warning lamps, etc.
- The phantom, the device holder and other accessories according to the targeted measurement.

C.2 Dasy4 or DASY5 E-field Probe System

The SAR measurements were conducted with the dosimetric probe designed in the classical triangular configuration and optimized for dosimetric evaluation. The probe is constructed using the thick film technique; with printed resistive lines on ceramic substrates. The probe is equipped with an optical multifiber line ending at the front of the probe tip. It is connected to the EOC box on the robot arm and provides an automatic detection of the phantom surface. Half of the fibers are connected to a pulsed infrared transmitter, the other half to a synchronized receiver. As the probe approaches the surface, the reflection from the surface produces a coupling from the transmitting to the receiving fibers. This reflection increases first during the approach, reaches maximum and then decreases. If the probe is flatly touching the surface, the coupling is zero. The distance of the coupling maximum to the surface is independent of the surface reflectivity and largely independent of the surface to probe angle. The DASY4 or DASY5 software reads the reflection during a software approach and looks for the maximum using 2nd order curve fitting. The approach is stopped at reaching the maximum.

Probe Specifications:

| | |
|-----------------------|--|
| Model: | ES3DV3, EX3DV4 |
| Frequency | 10MHz — 6.0GHz(EX3DV4) |
| Range: | 10MHz — 4GHz(ES3DV3) |
| Calibration: | In head and body simulating tissue at Frequencies from 835 up to 5800MHz |
| Linearity: | ± 0.2 dB(30 MHz to 6 GHz) for EX3DV4 ± 0.2 dB(30 MHz to 4 GHz) for ES3DV3 |
| DynamicRange: | 10 mW/kg — 100W/kg |
| Probe Length: | 330 mm |
| Probe Tip | |
| Length: | 20 mm |
| Body Diameter: | 12 mm |
| Tip Diameter: | 2.5 mm (3.9 mm for ES3DV3) |
| Tip-Center: | 1 mm (2.0mm for ES3DV3) |
| Application: | SAR Dosimetry Testing Compliance tests of mobile phones Dosimetry in strong gradient fields |



Picture C.2 Near-field Probe



Picture C.3 E-field Probe

C.3 E-field Probe Calibration

Each E-Probe/Probe Amplifier combination has unique calibration parameters. A TEM cell calibration procedure is conducted to determine the proper amplifier settings to enter in the probe parameters. The amplifier settings are determined for a given frequency by subjecting the probe to a known E-field density (1 mW/cm²) using an RF Signal generator, TEM cell, and RF Power Meter.

The free space E-field from amplified probe outputs is determined in a test chamber. This calibration can be performed in a TEM cell if the frequency is below 1 GHz and in a waveguide or other methodologies above 1 GHz for free space. For the free space calibration, the probe is placed

in the volumetric center of the cavity and at the proper orientation with the field. The probe is then rotated 360 degrees until the three channels show the maximum reading. The power density readings equates to 1 mW/cm².

E-field temperature correlation calibration is performed in a flat phantom filled with the appropriate simulated brain tissue. The E-field in the medium correlates with the temperature rise in the dielectric medium. For temperature correlation calibration a RF transparent thermistor-based temperature probe is used in conjunction with the E-field probe.

$$SAR = C \frac{\Delta T}{\Delta t}$$

Where:

Δt = Exposure time (30 seconds),

C = Heat capacity of tissue (brain or muscle),

ΔT = Temperature increase due to RF exposure.

$$SAR = \frac{|E|^2 \cdot \sigma}{\rho}$$

Where:

σ = Simulated tissue conductivity,

ρ = Tissue density (kg/m³).

C.4 Other Test Equipment

C.4.1 Data Acquisition Electronics(DAE)

The data acquisition electronics consist of a highly sensitive electrometer-grade preamplifier with auto-zeroing, a channel and gain-switching multiplexer, a fast 16 bit AD-converter and a command decoder with a control logic unit. Transmission to the measurement server is accomplished through an optical downlink for data and status information, as well as an optical uplink for commands and the clock.

The mechanical probe mounting device includes two different sensor systems for frontal and sideways probe contacts. They are used for mechanical surface detection and probe collision detection.

The input impedance of the DAE is 200 MOhm; the inputs are symmetrical and floating. Common mode rejection is above 80 dB.



PictureC.4: DAE

C.4.2 Robot

The SPEAG DASY system uses the high precision robots (DASY4: RX90XL; DASY5: RX160L) type from Stäubli SA (France). For the 6-axis controller system, the robot controller version from Stäubli is used. The Stäubli robot series have many features that are important for our application:

- High precision (repeatability 0.02mm)
- High reliability (industrial design)
- Low maintenance costs (virtually maintenance free due to direct drive gears; no belt drives)
- Jerk-free straight movements (brushless synchron motors; no stepper motors)
- Low ELF interference (motor control fields shielded via the closed metallic construction shields)



Picture C.5 DASY 4



Picture C.6 DASY 5

C.4.3 Measurement Server

The Measurement server is based on a PC/104 CPU board with CPU (dasy4: 166 MHz, Intel Pentium; DASY5: 400 MHz, Intel Celeron), chipdisk (DASY4: 32 MB; DASY5: 128MB), RAM (DASY4: 64 MB, DASY5: 128MB). The necessary circuits for communication with the DAE electronic box, as well as the 16 bit AD converter system for optical detection and digital I/O interface are contained on the DASY I/O board, which is directly connected to the PC/104 bus of the CPU board.

The measurement server performs all real-time data evaluation of field measurements and surface detection, controls robot movements and handles safety operation. The PC operating system cannot interfere with these time critical processes. All connections are supervised by a watchdog, and disconnection of any of the cables to the measurement server will automatically disarm the robot and disable all program-controlled robot movements. Furthermore, the measurement server is equipped with an expansion port which is reserved for future applications. Please note that this expansion port does not have a standardized pinout, and therefore only devices provided by SPEAG can be connected. Devices from any other supplier could seriously damage the measurement server.



Picture C.7 Server for DASY 4



Picture C.8 Server for DASY 5

C.4.4 Device Holder for Phantom

The SAR in the phantom is approximately inversely proportional to the square of the distance between the source and the liquid surface. For a source at 5mm distance, a positioning uncertainty of $\pm 0.5\text{mm}$ would produce a SAR uncertainty of $\pm 20\%$. Accurate device positioning is therefore crucial for accurate and repeatable measurements. The positions in which the devices must be measured are defined by the standards.

The DASY device holder is designed to cope with the different positions given in the standard. It has two scales for device rotation (with respect to the body axis) and device inclination (with respect to the line between the ear reference points). The rotation centers for both scales are the ear reference point (ERP). Thus the device needs no repositioning when changing the angles.

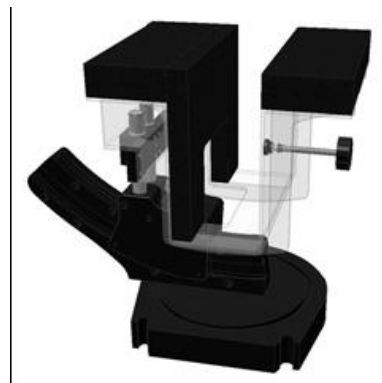
The DASY device holder is constructed of low-loss POM material having the following dielectric parameters: relative permittivity $\epsilon = 3$ and loss tangent $\delta = 0.02$. The amount of dielectric material has been reduced in the closest vicinity of the device, since measurements have suggested that the influence of the clamp on the test results could thus be lowered.

<Laptop Extension Kit>

The extension is lightweight and made of POM, acrylic glass and foam. It fits easily on the upper part of the Mounting Device in place of the phone positioner. The extension is fully compatible with the Twin-SAM and ELI phantoms.



Picture C.9-1: Device Holder



Picture C.9-2: Laptop Extension Kit

C.4.5 Phantom

The SAM Twin Phantom V4.0 is constructed of a fiberglass shell integrated in a table. The shape of the shell is based on data from an anatomical study designed to represent the 90th percentile of the population. The phantom enables the dissymmetric evaluation of SAR for both left and right handed handset usage, as well as body-worn usage using the flat

phantom region. Reference markings on the Phantom allow the complete setup of all predefined phantom positions and measurement grids by manually teaching three points in the robot. The shell phantom has a 2mm shell thickness (except the ear region where shell thickness increases to 6 mm).

Shell Thickness: 2 ± 0.2 mm

Filling Volume: Approx. 25 liters

Dimensions: 810 x 1000 x 500 mm (H x L x W)

Available: Special

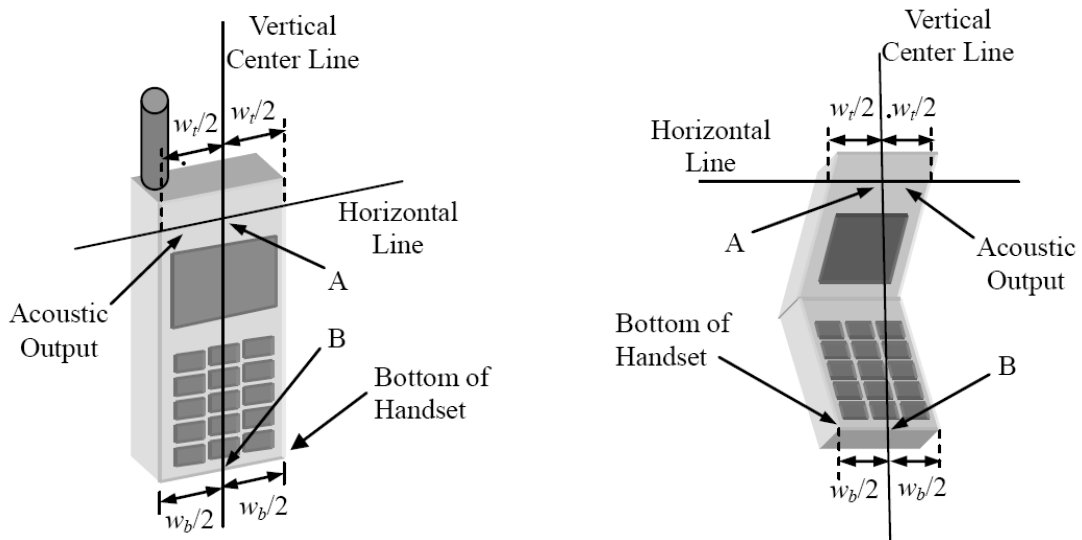


Picture C.10: SAM Twin Phantom

ANNEX D Position of the wireless device in relation to the phantom

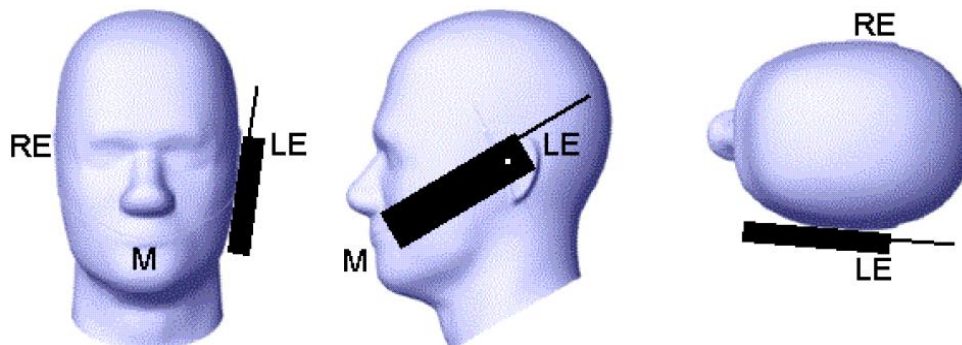
D.1 General considerations

This standard specifies two handset test positions against the head phantom – the “cheek” position and the “tilt” position.

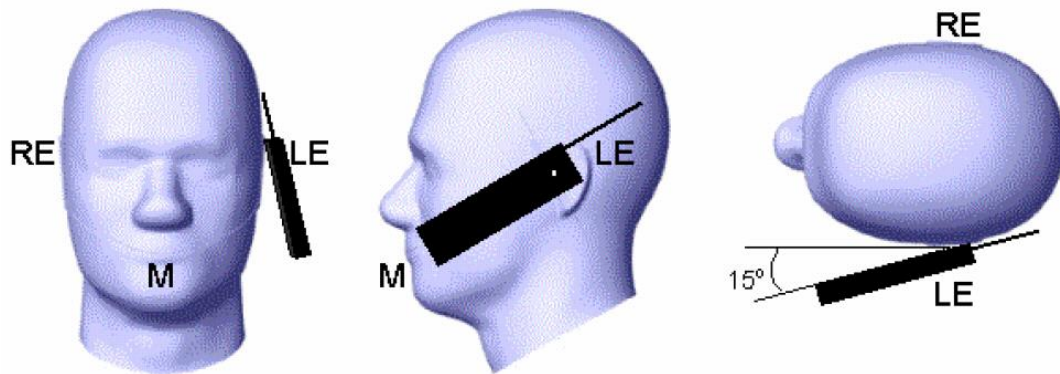


- w_t Width of the handset at the level of the acoustic
- w_b Width of the bottom of the handset
- A Midpoint of the width w_t of the handset at the level of the acoustic output
- B Midpoint of the width w_b of the bottom of the handset

Picture D.1-a Typical “fixed” case handset Picture D.1-b Typical “clam-shell” case handset



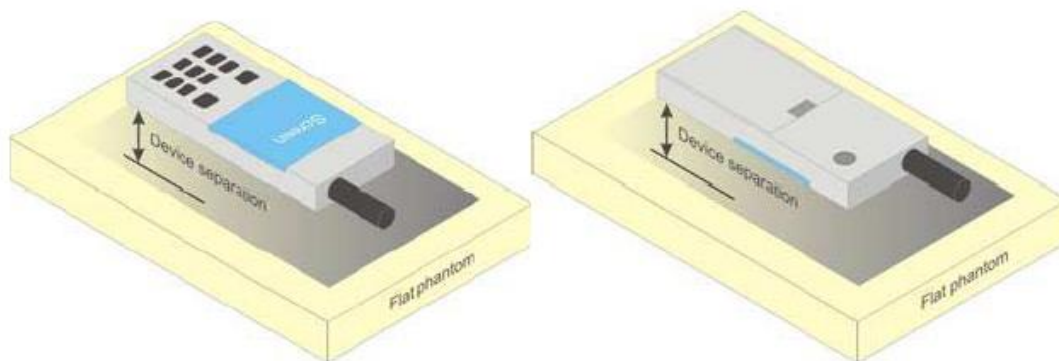
Picture D.2 Cheek position of the wireless device on the left side of SAM



Picture D.3 Tilt position of the wireless device on the left side of SAM

D.2 Body-worn device

A typical example of a body-worn device is a mobile phone, wireless enabled PDA or other battery operated wireless device with the ability to transmit while mounted on a person's body using a carry accessory approved by the wireless device manufacturer.

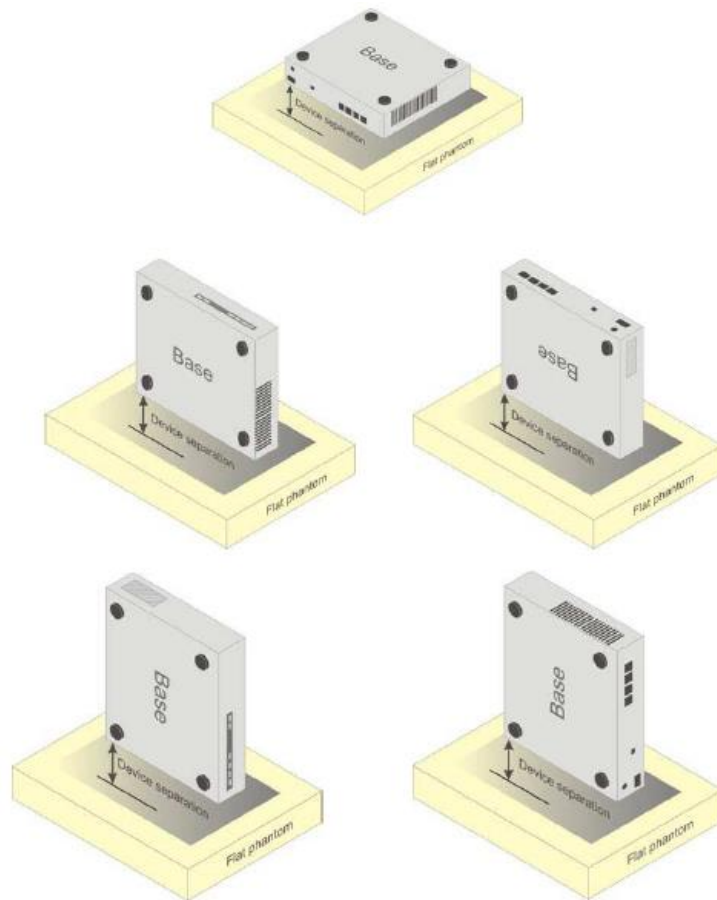


Picture D.4 Test positions for body-worn devices

D.3 Desktop device

A typical example of a desktop device is a wireless enabled desktop computer placed on a table or desk when used.

The DUT shall be positioned at the distance and in the orientation to the phantom that corresponds to the intended use as specified by the manufacturer in the user instructions. For devices that employ an external antenna with variable positions, tests shall be performed for all antenna positions specified. Picture 8.5 show positions for desktop device SAR tests. If the intended use is not specified, the device shall be tested directly against the flat phantom.



Picture D.5 Test positions for desktop devices

D.4 DUT Setup Photos



Picture D.6

ANNEX E Equivalent Media Recipes

The liquid used for the frequency range of 800-3000 MHz consisted of water, sugar, salt, preventol, glycol monobutyl and Cellulose. The liquid has been previously proven to be suited for worst-case. The Table E.1 shows the detail solution. It's satisfying the latest tissue dielectric parameters requirements proposed by the IEEE 1528 and IEC 62209.

TableE.1: Composition of the Tissue Equivalent Matter

| Frequency (MHz) | 835Head | 835Body | 1900 Head | 1900 Body | 2450 Head | 2450 Body | 5800 Head | 5800 Body |
|------------------------------------|----------------------------------|----------------------------------|----------------------------------|----------------------------------|----------------------------------|----------------------------------|----------------------------------|----------------------------------|
| Ingredients (% by weight) | | | | | | | | |
| Water | 41.45 | 52.5 | 55.242 | 69.91 | 58.79 | 72.60 | 65.53 | 65.53 |
| Sugar | 56.0 | 45.0 | \ | \ | \ | \ | \ | \ |
| Salt | 1.45 | 1.4 | 0.306 | 0.13 | 0.06 | 0.18 | \ | \ |
| Preventol | 0.1 | 0.1 | \ | \ | \ | \ | \ | \ |
| Cellulose | 1.0 | 1.0 | \ | \ | \ | \ | \ | \ |
| Glycol Monobutyl | \ | \ | 44.452 | 29.96 | 41.15 | 27.22 | \ | \ |
| Diethylenglycol monohexylether | \ | \ | \ | \ | \ | \ | 17.24 | 17.24 |
| Triton X-100 | \ | \ | \ | \ | \ | \ | 17.24 | 17.24 |
| Dielectric Parameters Target Value | $\epsilon=41.5$ $\sigma=0.90$ | $\epsilon=55.2$ $\sigma=0.97$ | $\epsilon=40.0$ $\sigma=1.40$ | $\epsilon=53.3$ $\sigma=1.52$ | $\epsilon=39.2$ $\sigma=1.80$ | $\epsilon=52.7$ $\sigma=1.95$ | $\epsilon=35.3$ $\sigma=5.27$ | $\epsilon=48.2$ $\sigma=6.00$ |

Note: There are a little adjustment respectively for 750, 1750, 2600, 5200, 5300 and 5600 based on the recipe of closest frequency in table E.1.

ANNEX F System Validation

The SAR system must be validated against its performance specifications before it is deployed. When SAR probes, system components or software are changed, upgraded or recalibrated, these must be validated with the SAR system(s) that operates with such components.

Table F.1: System Validation for 7514

| Probe SN. | Liquid name | Validation date | Frequency point | Status (OK or Not) |
|-----------|--------------|-----------------|-----------------|--------------------|
| 7514 | Head 750MHz | Sep.10,2018 | 750 MHz | OK |
| 7514 | Head 850MHz | Sep.10,2018 | 835 MHz | OK |
| 7514 | Head 900MHz | Sep.10,2018 | 900 MHz | OK |
| 7514 | Head 1750MHz | Sep.10,2018 | 1750 MHz | OK |
| 7514 | Head 1810MHz | Sep.10,2018 | 1810 MHz | OK |
| 7514 | Head 1900MHz | Sep.11,2018 | 1900 MHz | OK |
| 7514 | Head 2000MHz | Sep.11,2018 | 2000 MHz | OK |
| 7514 | Head 2100MHz | Sep.11,2018 | 2100 MHz | OK |
| 7514 | Head 2300MHz | Sep.11,2018 | 2300 MHz | OK |
| 7514 | Head 2450MHz | Sep.11,2018 | 2450 MHz | OK |
| 7514 | Head 2600MHz | Sep.12,2018 | 2600 MHz | OK |
| 7514 | Head 3500MHz | Sep.12,2018 | 3500 MHz | OK |
| 7514 | Head 3700MHz | Sep.12,2018 | 3700 MHz | OK |
| 7514 | Head 5200MHz | Sep.12,2018 | 5250 MHz | OK |
| 7514 | Head 5500MHz | Sep.12,2018 | 5600 MHz | OK |
| 7514 | Head 5800MHz | Sep.12,2018 | 5800 MHz | OK |
| 7514 | Body 750MHz | Sep.12,2018 | 750 MHz | OK |
| 7514 | Body 850MHz | Sep.9,2018 | 835 MHz | OK |
| 7514 | Body 900MHz | Sep.9,2018 | 900 MHz | OK |
| 7514 | Body 1750MHz | Sep.9,2018 | 1750 MHz | OK |
| 7514 | Body 1810MHz | Sep.9,2018 | 1810 MHz | OK |
| 7514 | Body 1900MHz | Sep.9,2018 | 1900 MHz | OK |
| 7514 | Body 2000MHz | Sep.13,2018 | 2000 MHz | OK |
| 7514 | Body 2100MHz | Sep.13,2018 | 2100 MHz | OK |
| 7514 | Body 2300MHz | Sep.13,2018 | 2300 MHz | OK |
| 7514 | Body 2450MHz | Sep.13,2018 | 2450 MHz | OK |
| 7514 | Body 2600MHz | Sep.13,2018 | 2600 MHz | OK |
| 7514 | Body 3500MHz | Sep.8,2018 | 3500 MHz | OK |
| 7514 | Body 3700MHz | Sep.8,2018 | 3700 MHz | OK |
| 7514 | Body 5200MHz | Sep.8,2018 | 5250 MHz | OK |
| 7514 | Body 5500MHz | Sep.8,2018 | 5600 MHz | OK |
| 7514 | Body 5800MHz | Sep.8,2018 | 5800 MHz | OK |

ANNEX G Probe Calibration Certificate

Probe 7514 Calibration Certificate

Calibration Laboratory of
Schmid & Partner
Engineering AG
Zeughausstrasse 43, 8004 Zurich, Switzerland



S Schweizerischer Kalibrierdienst
S Service suisse d'étalonnage
S Servizio svizzero di taratura
S Swiss Calibration Service

Accredited by the Swiss Accreditation Service (SAS)
The Swiss Accreditation Service is one of the signatories to the EA
Multilateral Agreement for the recognition of calibration certificates

Accreditation No.: **SCS 0108**

Client **CTTL-BJ (Auden)**

Certificate No: **EX3-7514_Aug18**

CALIBRATION CERTIFICATE

Object **EX3DV4 - SN:7514**

Calibration procedure(s) **QA CAL-01.v9, QA CAL-12.v9, QA CAL-14.v4, QA CAL-23.v5,
QA CAL-25.v6
Calibration procedure for dosimetric E-field probes**



Calibration date: **August 27, 2018**

This calibration certificate documents the traceability to national standards, which realize the physical units of measurements (SI).
The measurements and the uncertainties with confidence probability are given on the following pages and are part of the certificate.

All calibrations have been conducted in the closed laboratory facility: environment temperature (22 ± 3)°C and humidity < 70%.

Calibration Equipment used (M&TE critical for calibration)

| Primary Standards | ID | Cal Date (Certificate No.) | Scheduled Calibration |
|----------------------------|------------------|-----------------------------------|------------------------|
| Power meter NRP | SN: 104778 | 04-Apr-18 (No. 217-02672/02673) | Apr-19 |
| Power sensor NRP-Z91 | SN: 103244 | 04-Apr-18 (No. 217-02672) | Apr-19 |
| Power sensor NRP-Z91 | SN: 103245 | 04-Apr-18 (No. 217-02673) | Apr-19 |
| Reference 20 dB Attenuator | SN: S5277 (20x) | 04-Apr-18 (No. 217-02682) | Apr-19 |
| Reference Probe ES3DV2 | SN: 3013 | 30-Dec-17 (No. ES3-3013_Dec17) | Dec-18 |
| DAE4 | SN: 660 | 21-Dec-17 (No. DAE4-660_Dec17) | Dec-18 |
| Secondary Standards | ID | Check Date (in house) | Scheduled Check |
| Power meter E4419B | SN: GB41293874 | 06-Apr-16 (in house check Jun-18) | In house check: Jun-20 |
| Power sensor E4412A | SN: MY41498087 | 06-Apr-16 (in house check Jun-18) | In house check: Jun-20 |
| Power sensor E4412A | SN: 000110210 | 06-Apr-16 (in house check Jun-18) | In house check: Jun-20 |
| RF generator HP 8648C | SN: US3642U01700 | 04-Aug-99 (in house check Jun-18) | In house check: Jun-20 |
| Network Analyzer E8358A | SN: US41080477 | 31-Mar-14 (in house check Oct-17) | In house check: Oct-18 |

| | Name | Function | Signature |
|----------------|----------------|-----------------------|---|
| Calibrated by: | Jeton Kastrati | Laboratory Technician |  |
| Approved by: | Katja Pokovic | Technical Manager |  |

Issued: August 27, 2018

This calibration certificate shall not be reproduced except in full without written approval of the laboratory.

**Calibration Laboratory of
Schmid & Partner
Engineering AG**
Zeughausstrasse 43, 8004 Zurich, Switzerland



S Schweizerischer Kalibrierdienst
C Service suisse d'étalonnage
S Servizio svizzero di taratura
S Swiss Calibration Service

Accredited by the Swiss Accreditation Service (SAS)

The Swiss Accreditation Service is one of the signatories to the EA
Multilateral Agreement for the recognition of calibration certificates

Accreditation No.: **SCS 0108**

Glossary:

| | |
|--------------------------|---|
| TSL | tissue simulating liquid |
| NORM _{x,y,z} | sensitivity in free space |
| ConvF | sensitivity in TSL / NORM _{x,y,z} |
| DCP | diode compression point |
| CF | crest factor (1/duty_cycle) of the RF signal |
| A, B, C, D | modulation dependent linearization parameters |
| Polarization ϕ | ϕ rotation around probe axis |
| Polarization ϑ | ϑ rotation around an axis that is in the plane normal to probe axis (at measurement center), i.e., $\vartheta = 0$ is normal to probe axis |
| Connector Angle | information used in DASY system to align probe sensor X to the robot coordinate system |

Calibration is Performed According to the Following Standards:

- IEEE Std 1528-2013, "IEEE Recommended Practice for Determining the Peak Spatial-Averaged Specific Absorption Rate (SAR) in the Human Head from Wireless Communications Devices: Measurement Techniques", June 2013
- IEC 62209-1, "Measurement procedure for the assessment of Specific Absorption Rate (SAR) from hand-held and body-mounted devices used next to the ear (frequency range of 300 MHz to 6 GHz)", July 2016
- IEC 62209-2, "Procedure to determine the Specific Absorption Rate (SAR) for wireless communication devices used in close proximity to the human body (frequency range of 30 MHz to 6 GHz)", March 2010
- KDB 865664, "SAR Measurement Requirements for 100 MHz to 6 GHz"

Methods Applied and Interpretation of Parameters:

- NORM_{x,y,z}**: Assessed for E-field polarization $\vartheta = 0$ ($f \leq 900$ MHz in TEM-cell; $f > 1800$ MHz: R22 waveguide). NORM_{x,y,z} are only intermediate values, i.e., the uncertainties of NORM_{x,y,z} does not affect the E²-field uncertainty inside TSL (see below *ConvF*).
- NORM(f)_{x,y,z} = NORM_{x,y,z} * frequency_response** (see Frequency Response Chart). This linearization is implemented in DASY4 software versions later than 4.2. The uncertainty of the frequency response is included in the stated uncertainty of *ConvF*.
- DCP_{x,y,z}**: DCP are numerical linearization parameters assessed based on the data of power sweep with CW signal (no uncertainty required). DCP does not depend on frequency nor media.
- PAR**: PAR is the Peak to Average Ratio that is not calibrated but determined based on the signal characteristics
- A_{x,y,z}; B_{x,y,z}; C_{x,y,z}; D_{x,y,z}; VR_{x,y,z}**: A, B, C, D are numerical linearization parameters assessed based on the data of power sweep for specific modulation signal. The parameters do not depend on frequency nor media. VR is the maximum calibration range expressed in RMS voltage across the diode.
- ConvF and Boundary Effect Parameters**: Assessed in flat phantom using E-field (or Temperature Transfer Standard for $f \leq 800$ MHz) and inside waveguide using analytical field distributions based on power measurements for $f > 800$ MHz. The same setups are used for assessment of the parameters applied for boundary compensation (alpha, depth) of which typical uncertainty values are given. These parameters are used in DASY4 software to improve probe accuracy close to the boundary. The sensitivity in TSL corresponds to NORM_{x,y,z} * ConvF whereby the uncertainty corresponds to that given for ConvF. A frequency dependent ConvF is used in DASY version 4.4 and higher which allows extending the validity from ± 50 MHz to ± 100 MHz.
- Spherical isotropy (3D deviation from isotropy)**: in a field of low gradients realized using a flat phantom exposed by a patch antenna.
- Sensor Offset**: The sensor offset corresponds to the offset of virtual measurement center from the probe tip (on probe axis). No tolerance required.
- Connector Angle**: The angle is assessed using the information gained by determining the NORM_x (no uncertainty required).



EX3DV4 – SN:7514

August 27, 2018

Probe EX3DV4

SN:7514

Manufactured: November 13, 2017
Calibrated: August 27, 2018

Calibrated for DASYS/EASY Systems
(Note: non-compatible with DASYS2 system!)

EX3DV4– SN:7514

August 27, 2018

DASY/EASY - Parameters of Probe: EX3DV4 - SN:7514

Basic Calibration Parameters

| | Sensor X | Sensor Y | Sensor Z | Unc (k=2) |
|---|----------|----------|----------|--------------|
| Norm ($\mu\text{V}/(\text{V}/\text{m})^2$) ^A | 0.46 | 0.44 | 0.39 | $\pm 10.1\%$ |
| DCP (mV) ^B | 96.5 | 101.1 | 97.9 | |

Modulation Calibration Parameters

| UID | Communication System Name | | A dB | B dB $\sqrt{\mu\text{V}}$ | C | D dB | VR mV | Unc ^E (k=2) |
|-----|---------------------------|---|---------|------------------------------|-----|---------|----------|---------------------------|
| 0 | CW | X | 0.0 | 0.0 | 1.0 | 0.00 | 179.1 | $\pm 3.5\%$ |
| | | Y | 0.0 | 0.0 | 1.0 | | 177.3 | |
| | | Z | 0.0 | 0.0 | 1.0 | | 158.1 | |

Note: For details on UID parameters see Appendix.

Sensor Model Parameters

| | C1 fF | C2 fF | α V ⁻¹ | T1 ms.V ⁻² | T2 ms.V ⁻¹ | T3 ms | T4 V ⁻² | T5 V ⁻¹ | T6 |
|---|----------|----------|-----------------------------|--------------------------|--------------------------|----------|-----------------------|-----------------------|-------|
| X | 31.17 | 241.1 | 37.77 | 3.625 | 0.025 | 5.031 | 0.000 | 0.325 | 1.005 |
| Y | 34.86 | 259.7 | 35.41 | 7.412 | 0.000 | 5.026 | 0.323 | 0.291 | 1.002 |
| Z | 33.14 | 259.6 | 38.65 | 3.827 | 0.264 | 5.046 | 0.000 | 0.373 | 1.008 |

The reported uncertainty of measurement is stated as the standard uncertainty of measurement multiplied by the coverage factor k=2, which for a normal distribution corresponds to a coverage probability of approximately 95%.

^A The uncertainties of Norm X,Y,Z do not affect the E²-field uncertainty inside TSL (see Pages 5 and 6).

^B Numerical linearization parameter: uncertainty not required.

^E Uncertainty is determined using the max. deviation from linear response applying rectangular distribution and is expressed for the square of the field value.



EX3DV4- SN:7514

August 27, 2018

DASY/EASY - Parameters of Probe: EX3DV4 - SN:7514

Calibration Parameter Determined in Head Tissue Simulating Media

| f (MHz) ^C | Relative Permittivity ^F | Conductivity (S/m) ^F | ConvF X | ConvF Y | ConvF Z | Alpha ^G | Depth (mm) ^G | Unc (k=2) |
|----------------------|------------------------------------|---------------------------------|---------|---------|---------|--------------------|-------------------------|-----------|
| 150 | 52.3 | 0.76 | 12.79 | 12.79 | 12.79 | 0.00 | 1.00 | ± 13.3 % |
| 300 | 45.3 | 0.87 | 11.57 | 11.57 | 11.57 | 0.07 | 1.20 | ± 13.3 % |
| 450 | 43.5 | 0.87 | 10.68 | 10.68 | 10.68 | 0.14 | 1.20 | ± 13.3 % |
| 750 | 41.9 | 0.89 | 9.47 | 9.47 | 9.47 | 0.45 | 0.89 | ± 12.0 % |
| 835 | 41.5 | 0.90 | 9.09 | 9.09 | 9.09 | 0.53 | 0.85 | ± 12.0 % |
| 900 | 41.5 | 0.97 | 9.03 | 9.03 | 9.03 | 0.49 | 0.85 | ± 12.0 % |
| 1450 | 40.5 | 1.20 | 8.24 | 8.24 | 8.24 | 0.35 | 0.80 | ± 12.0 % |
| 1640 | 40.2 | 1.31 | 8.22 | 8.22 | 8.22 | 0.38 | 0.81 | ± 12.0 % |
| 1750 | 40.1 | 1.37 | 8.10 | 8.10 | 8.10 | 0.36 | 0.83 | ± 12.0 % |
| 1810 | 40.0 | 1.40 | 7.82 | 7.82 | 7.82 | 0.35 | 0.81 | ± 12.0 % |
| 1900 | 40.0 | 1.40 | 7.73 | 7.73 | 7.73 | 0.31 | 0.80 | ± 12.0 % |
| 2000 | 40.0 | 1.40 | 7.64 | 7.64 | 7.64 | 0.30 | 0.84 | ± 12.0 % |
| 2100 | 39.8 | 1.49 | 7.57 | 7.57 | 7.57 | 0.27 | 0.85 | ± 12.0 % |
| 2300 | 39.5 | 1.67 | 7.42 | 7.42 | 7.42 | 0.31 | 0.80 | ± 12.0 % |
| 2450 | 39.2 | 1.80 | 6.95 | 6.95 | 6.95 | 0.38 | 0.98 | ± 12.0 % |
| 2600 | 39.0 | 1.96 | 6.92 | 6.92 | 6.92 | 0.25 | 1.05 | ± 12.0 % |
| 3500 | 37.9 | 2.91 | 6.78 | 6.78 | 6.78 | 0.79 | 0.64 | ± 13.1 % |
| 3700 | 37.7 | 3.12 | 6.61 | 6.61 | 6.61 | 0.42 | 0.93 | ± 13.1 % |
| 5200 | 36.0 | 4.66 | 5.05 | 5.05 | 5.05 | 0.40 | 1.80 | ± 13.1 % |
| 5250 | 35.9 | 4.71 | 5.02 | 5.02 | 5.02 | 0.40 | 1.80 | ± 13.1 % |
| 5300 | 35.9 | 4.76 | 4.99 | 4.99 | 4.99 | 0.40 | 1.80 | ± 13.1 % |
| 5500 | 35.6 | 4.96 | 4.59 | 4.59 | 4.59 | 0.40 | 1.80 | ± 13.1 % |
| 5600 | 35.5 | 5.07 | 4.41 | 4.41 | 4.41 | 0.40 | 1.80 | ± 13.1 % |
| 5750 | 35.4 | 5.22 | 4.47 | 4.47 | 4.47 | 0.40 | 1.80 | ± 13.1 % |
| 5800 | 35.3 | 5.27 | 4.42 | 4.42 | 4.42 | 0.40 | 1.80 | ± 13.1 % |

^C Frequency validity above 300 MHz of ± 100 MHz only applies for DASY v4.4 and higher (see Page 2), else it is restricted to ± 50 MHz. The uncertainty is the RSS of the ConvF uncertainty at calibration frequency and the uncertainty for the indicated frequency band. Frequency validity below at 150 MHz is ± 50 MHz. Above 5 GHz frequency validity can be extended to ± 110 MHz.

^F At frequencies below 3 GHz, the validity of tissue parameters (ϵ and σ) can be relaxed to ± 10% if liquid compensation formula is applied to measured SAR values. At frequencies above 3 GHz, the validity of tissue parameters (ϵ and σ) is restricted to ± 5%. The uncertainty is the RSS of the ConvF uncertainty for indicated target tissue parameters.

^G Alpha/Depth are determined during calibration. SPEAG warrants that the remaining deviation due to the boundary effect after compensation is always less than ± 1% for frequencies below 3 GHz and below ± 2% for frequencies between 3-6 GHz at any distance larger than half the probe tip diameter from the boundary.



EX3DV4– SN:7514

August 27, 2018

DASY/EASY - Parameters of Probe: EX3DV4 - SN:7514

Calibration Parameter Determined in Body Tissue Simulating Media

| f (MHz) ^C | Relative Permittivity ^F | Conductivity (S/m) ^F | ConvF X | ConvF Y | ConvF Z | Alpha ^G | Depth (mm) ^G | Unc (k=2) |
|----------------------|------------------------------------|---------------------------------|---------|---------|---------|--------------------|-------------------------|-----------|
| 150 | 61.9 | 0.80 | 12.43 | 12.43 | 12.43 | 0.00 | 1.00 | ± 13.3 % |
| 300 | 58.2 | 0.92 | 11.39 | 11.39 | 11.39 | 0.05 | 1.20 | ± 13.3 % |
| 450 | 56.7 | 0.94 | 11.34 | 11.34 | 11.34 | 0.08 | 1.20 | ± 13.3 % |
| 750 | 55.5 | 0.96 | 9.68 | 9.68 | 9.68 | 0.31 | 1.04 | ± 12.0 % |
| 835 | 55.2 | 0.97 | 9.47 | 9.47 | 9.47 | 0.46 | 0.80 | ± 12.0 % |
| 900 | 55.0 | 1.05 | 9.34 | 9.34 | 9.34 | 0.46 | 0.83 | ± 12.0 % |
| 1450 | 54.0 | 1.30 | 8.02 | 8.02 | 8.02 | 0.31 | 0.80 | ± 12.0 % |
| 1640 | 53.7 | 1.42 | 7.85 | 7.85 | 7.85 | 0.42 | 0.81 | ± 12.0 % |
| 1750 | 53.4 | 1.49 | 7.82 | 7.82 | 7.82 | 0.39 | 0.83 | ± 12.0 % |
| 1810 | 53.3 | 1.52 | 7.69 | 7.69 | 7.69 | 0.32 | 0.92 | ± 12.0 % |
| 1900 | 53.3 | 1.52 | 7.53 | 7.53 | 7.53 | 0.35 | 0.83 | ± 12.0 % |
| 2000 | 53.3 | 1.52 | 7.45 | 7.45 | 7.45 | 0.39 | 0.80 | ± 12.0 % |
| 2100 | 53.2 | 1.62 | 7.39 | 7.39 | 7.39 | 0.32 | 0.94 | ± 12.0 % |
| 2300 | 52.9 | 1.81 | 7.25 | 7.25 | 7.25 | 0.37 | 0.85 | ± 12.0 % |
| 2450 | 52.7 | 1.95 | 7.13 | 7.13 | 7.13 | 0.32 | 0.97 | ± 12.0 % |
| 2600 | 52.5 | 2.16 | 7.06 | 7.06 | 7.06 | 0.24 | 1.10 | ± 12.0 % |
| 3500 | 51.3 | 3.31 | 6.85 | 6.85 | 6.85 | 0.00 | 1.00 | ± 13.1 % |
| 3700 | 51.0 | 3.55 | 6.75 | 6.75 | 6.75 | 0.00 | 1.00 | ± 13.1 % |
| 5200 | 49.0 | 5.30 | 4.59 | 4.59 | 4.59 | 0.50 | 1.90 | ± 13.1 % |
| 5250 | 48.9 | 5.36 | 4.54 | 4.54 | 4.54 | 0.50 | 1.90 | ± 13.1 % |
| 5300 | 48.9 | 5.42 | 4.49 | 4.49 | 4.49 | 0.50 | 1.90 | ± 13.1 % |
| 5500 | 48.6 | 5.65 | 4.17 | 4.17 | 4.17 | 0.50 | 1.90 | ± 13.1 % |
| 5600 | 48.5 | 5.77 | 4.00 | 4.00 | 4.00 | 0.50 | 1.90 | ± 13.1 % |
| 5750 | 48.3 | 5.94 | 3.98 | 3.98 | 3.98 | 0.50 | 1.90 | ± 13.1 % |
| 5800 | 48.2 | 6.00 | 3.94 | 3.94 | 3.94 | 0.50 | 1.90 | ± 13.1 % |

^C Frequency validity above 300 MHz of ± 100 MHz only applies for DASY v4.4 and higher (see Page 2), else it is restricted to ± 50 MHz. The uncertainty is the RSS of the ConvF uncertainty at calibration frequency and the uncertainty for the indicated frequency band. Frequency validity below at 150 MHz is ± 50 MHz. Above 5 GHz frequency validity can be extended to ± 110 MHz.

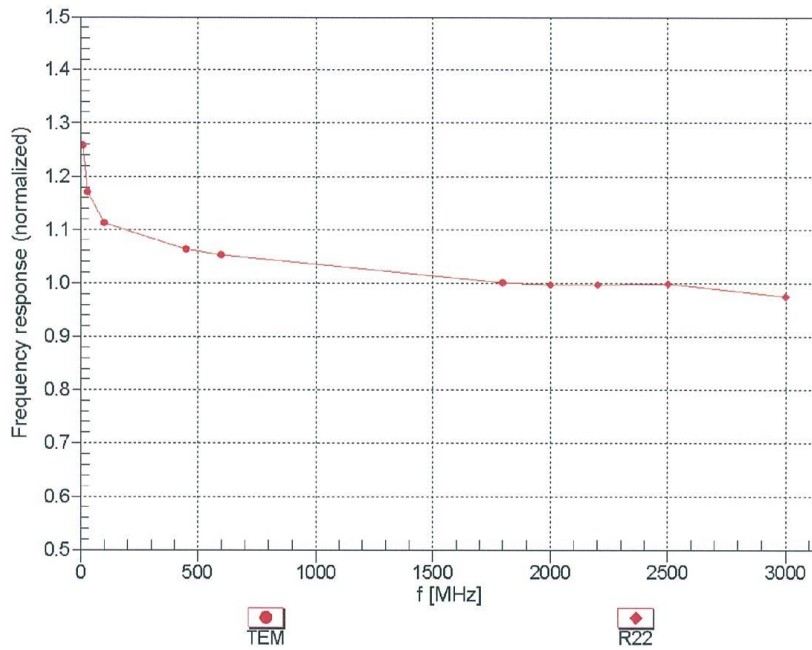
^F At frequencies below 3 GHz, the validity of tissue parameters (ϵ and σ) can be relaxed to ± 10% if liquid compensation formula is applied to measured SAR values. At frequencies above 3 GHz, the validity of tissue parameters (ϵ and σ) is restricted to ± 5%. The uncertainty is the RSS of the ConvF uncertainty for indicated target tissue parameters.

^G Alpha/Depth are determined during calibration. SPEAG warrants that the remaining deviation due to the boundary effect after compensation is always less than ± 1% for frequencies below 3 GHz and below ± 2% for frequencies between 3-6 GHz at any distance larger than half the probe tip diameter from the boundary.

EX3DV4- SN:7514

August 27, 2018

Frequency Response of E-Field (TEM-Cell:ifi110 EXX, Waveguide: R22)

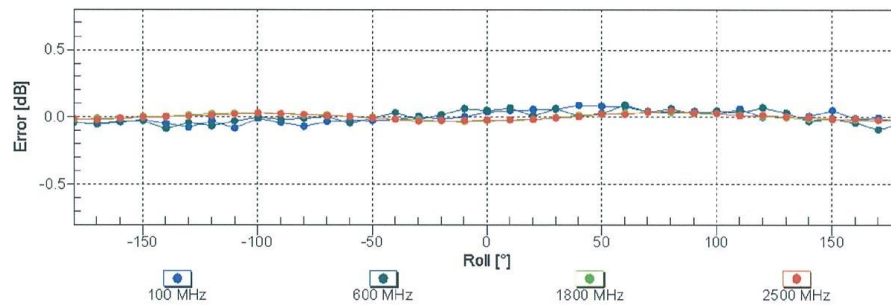
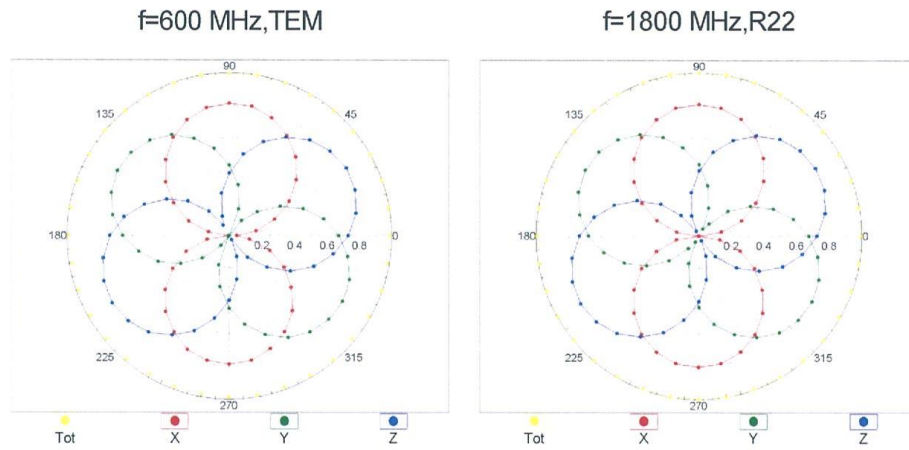


Uncertainty of Frequency Response of E-field: $\pm 6.3\%$ (k=2)

EX3DV4- SN:7514

August 27, 2018

Receiving Pattern (ϕ), $\vartheta = 0^\circ$



Uncertainty of Axial Isotropy Assessment: $\pm 0.5\%$ (k=2)