

TCL TAB10_L

LTE Gen2

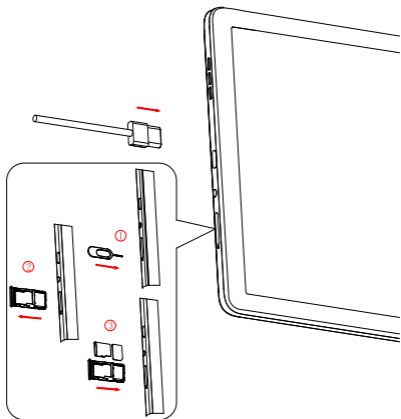
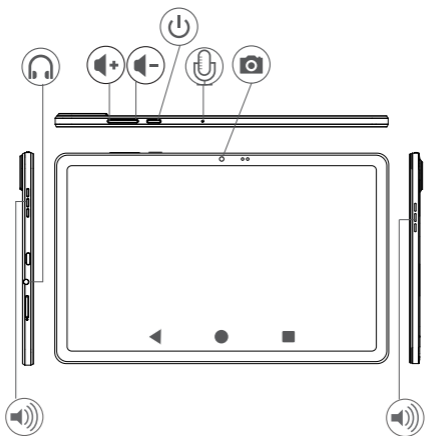
Quick Start Guide

XXX

Printed in China



www.tcl.com/mx





Help

- Update your device's software
Go to **Settings > System > System Update** to check software updates.
- Back up your personal data
Go to **Settings > System > Backup > Back up to Google Drive** and turn it on.
- Reset your device
Go to **Settings > System > Reset options > Erase all data (factory reset)**, and then touch to reset your Device.
- Electronic labeling path
Touch **Settings > System > Regulatory & safety** to find more information about labeling ⁽¹⁾, such as FCC ID.

General Information

- **Manufacturer:** TCL Communication Ltd.
- **Address:** Av. Adolfo López Mateos Sur 4175, La Giralda, 45088 Zapopan, Jal.
- Visit the TCL website at <https://www.tcl.com/mx> for tutorials and answers to frequently asked questions, and to download the User Manual.
- To get support for your device, visit the TCL website (<https://www.tcl.com/mx/es/service-support-mobile.html>), or dial the number listed below:

Argentina: 0810-999-1099

Canada: 18552244228

Chile: +56 22 958 96 94

Colombia: 18009520823

Costa Rica: 8000521692

Ecuador: 800000635

Guatemala: 18009995298

Honduras: 80027916102

Mexico: 8008909908

Paraguay: 98005210103

Peru: 080000698

Republic Dominican: 8887600164

Uruguay: 405296624

USA: 18552244228

Venezuela: 08001005368

WhatsApp: +52 1 3312418458

⁽¹⁾ This may vary depending on country.





Safety and use



Please read this chapter carefully before using your device. The manufacturer disclaims any liability for damage, which may result as a consequence of improper use or use contrary to the instructions contained herein.

- Do not use your device when the vehicle is not safely parked. Using a hand-held device while driving is illegal in many countries.
- Comply with restrictions on use specific to certain places (hospitals, planes, gas stations, schools, etc.).
- Switch the device off before boarding an aircraft.
- Switch the device off when you are in health care facilities, except in designated areas.
- Switch the device off when you are near gas or flammable liquids.

Strictly obey all signs and instructions posted in a fuel depot, petrol station, or chemical plant, or in any potentially explosive atmosphere when operate your device.

- Turn off your mobile device or wireless device when in a blasting area or in areas posted with notifications requesting "two-way radios" or "electronic devices" are turned off to avoid interfering with blasting operations.

Please consult your doctor and the device manufacturer to determine if operation of your device may interfere with the operation of your medical device. When the device is switched on, it should be kept at least 15 cm from any medical device such as a pacemaker, a hearing aid, or an insulin pump, etc.

- Do not let children use the device and/or play with the device and accessories without supervision.
- To reduce exposure to radio waves, it is recommended:
 - To use a hands-free kit;
 - Keep the device away from the belly of pregnant women or the lower abdomen of adolescents.
- Do not allow your device to be exposed to adverse weather or environmental conditions (moisture, humidity, rain, infiltration of liquids, dust, sea air, etc.). The manufacturer's recommended operating temperature range is 0°C (32°F) to 40°C (104°F). At over 40°C (104°F) the legibility of the device's display may be impaired, though this is temporary and not serious.
- Use only batteries, battery chargers, and accessories which are compatible with your device model.
- Do not use a damaged device, such as a device with a cracked display or badly dented back cover, as it may cause injury or harm.
- Do not keep device connected to charger with battery fully charged for a long period of time as it can cause overheating and shorten battery life.
- Do not sleep with the device on your person or in your bed. Do not place the device under a blanket, pillow, or under your body, specially when connected to the charger, as this may cause the device to overheat.





PROTECT YOUR HEARING

To prevent possible hearing damage, do not listen at high volume levels for long periods. Exercise caution when holding your device near your ear while the loudspeaker is in use.

Battery:

In accordance with air regulations, the battery of your product is not fully charged. Please charge it first.

- Do not attempt to open the battery (due to the risk of toxic fumes and burns).
- For a device with a non-removable battery, do not attempt to eject or replace the battery.
- Do not puncture, disassemble, or cause a short circuit in a battery.
- For a unibody device, do not attempt to open or puncture the back cover.
- Do not burn or dispose of a used battery or device in household rubbish or store it at temperatures above 60°C (140°F), this can result in an explosion or the leakage of flammable liquid or gas. Similarly, subjecting the battery to extremely low air pressure may result in an explosion or the leakage of flammable liquid or gas. Only use the battery for the purpose for which it was designed and recommended. Never use damaged batteries.

CAUTION: RISK OF EXPLOSION IF BATTERY IS REPLACED BY AN INCORRECT TYPE. DISPOSE OF USED BATTERIES ACCORDING TO THE INSTRUCTIONS.

Device, accessory and battery must be disposed of in accordance with locally applicable environmental regulations.



This symbol on your device, the battery, and the accessories means that these products must be taken to collection points at the end of their life:

- Municipal waste disposal centers with specific bins for these types of equipment;
- Collection bins at points of sale.

They will then be recycled, preventing substances being disposed of in the environment, so that their components can be reused.

Chargers:

Home A.C./ Travel chargers will operate within the temperature range of: 0°C (32°F) to 40°C (104°F).

The chargers designed for your device meet the standard for safety of information technology equipment and office equipment use. Due to different applicable electrical specifications, a charger you purchased in one jurisdiction may not work in another jurisdiction. They should be used for this purpose only.

Characteristics of power supply (depending on the country):

Travel charger: Input: 100-240V,50/60Hz, 0.5A

Output: 5V,2A

Battery: Lithium 6000 mAh (Typical Capacity)



Radio waves

THIS DEVICE MEETS THE GOVERNMENT'S REQUIREMENTS FOR EXPOSURE TO RADIO WAVES.

The exposure standard for devices employs a unit of measurement known as the Specific Absorption Rate, or SAR. The SAR limit set by public authorities such as the Federal Communications Commission of the US Government (FCC), or by Innovation, Science and Economic Development Canada (ISED), is 1.6 W/kg averaged over 1 gram of body tissue. Tests for SAR are conducted using standard operating positions with the device transmitting at its highest certified power level in all tested frequency bands.

This device is compliant with SAR for general population /uncontrolled exposure limits in ANSI/IEEE C95.1-1992 and had been tested in accordance with the measurement methods and procedures specified in IEEE1528.

The FCC has granted an Equipment Authorization for this model device with all reported SAR levels evaluated as in compliance with the FCC RF exposure guidelines. SAR information on this model device is on file with the FCC and can be found under the Display Grant section of www.fcc.gov/oet/ea/fccid after searching on FCC ID : 2ACCJB205

The highest SAR value for this device when tested is 1.18 W/Kg for use close to the body.

While there may be differences between the SAR levels of various devices and at various positions, they all meet the government requirement for RF exposure.

For body-worn operation, the device meets FCC RF exposure guidelines provided that it is used with a non-metallic accessory with the device at least 0 mm from the body. Use of other accessories may not ensure compliance with FCC RF exposure guidelines.

Additional information on SAR can be found on the Cellular Telecommunications & Internet Association (CTIA) Web site: <http://www.ctia.org/>

Note: This equipment has been tested and found to comply with the limits for a Class B digital device pursuant to part 15 of the FCC Rules. These limits are designed to provide reasonable protection against harmful interference in a residential installation. This equipment generates, uses and can radiate radio frequency energy and, if not installed and used in accordance with the instructions, may cause harmful interference to radio communications. However, there is no guarantee that interference to radio or television reception, which can be determined by turning the equipment off and on, the user is encouraged to try to correct the interference by one or more of the following measures:

- Reorient or relocate the receiving antenna;
- Increase the separation between the equipment and receiver;
- Connect the equipment into an outlet on a circuit different from that to which the receiver is connected;
- Consult the dealer or an experienced radio/ TV technician for help.

Changes or modifications not expressly approved by the party responsible for compliance could void the user's authority to operate the equipment.



For the receiver devices associated with the operation of a licensed radio service, they bear the following statement:

This device complies with Part 15 of the FCC Rules.

Operation is subject to the following two conditions:

- This device may not cause harmful interference;
- This device must accept any interference received, including interference that may cause undesired operation.

Licenses



Bluetooth SIG, Inc. licensed and certificated TCL 8192A
Bluetooth Declaration ID D059327



Wi-Fi Alliance certified

Privacy statement of device usage

Any personal data you shared with TCL Communication Ltd. will be handled in accordance with our Privacy Notice. You can check our Privacy Notice by visiting our website: <https://www.tcl.com/global/en/communication-privacy-policy>

Disclaimer

There may be certain differences between the user manual description and the device's operation, depending on the software release of your device or specific operator services. TCL Communication Ltd. shall not be held legally responsible for such differences, if any, nor for their potential consequences, which responsibility shall be borne by the operator exclusively.