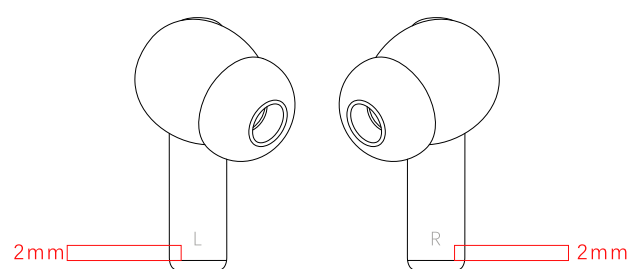
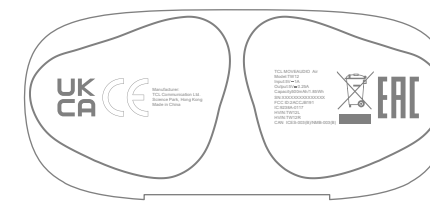
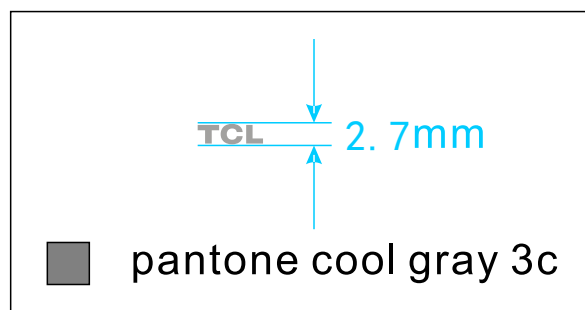
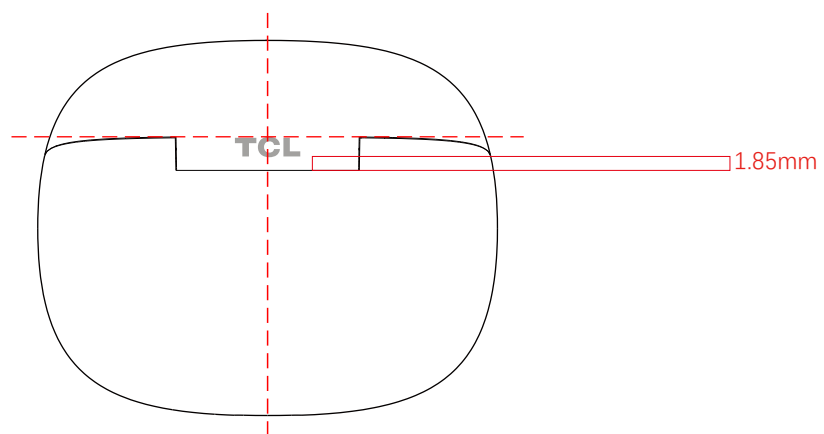


1

2

3

4



L R H=1.8mm

Copyright © TCL COMMUNICATION All rights reserved. Drawing is protected by copyright as an unpublished work. Authorized reproduction of this drawing is not permitted. Drawing contains proprietary and confidential information. All dimensions are in millimeters.

Functional characteristics key
 ◇ Process Capability Studies Required. (Total __pcs)
 ◆ Ongoing Statistical Process Control Required. (Total __pcs)

Material ---		Colour ---		Original Designer Daosong			
TCL	Sheet 1 of 1	Original Scale 1:1	V2.0a	Daosong Aug.9.2022			
		Original Size A3					
	Item Code	---					
Description TW12_Marking		Document Number	Drawing Revision	Part Revision	Name / Date	ECN Number	Approved / DATE
		xxx-	V2.0a	-.-	Daosong Aug. 9.2022	---	