

FCC TEST REPORT

For

MOVETIME FAMILY WATCH

Model Number: MT43KW

FCC ID: 2ACCJB127

Report Number : WT208001200

Test Laboratory : Shenzhen Academy of Metrology and Quality
Inspection
Site Location : NETC Building, No.4 Tongfa Rd., Xili, Nanshan,
Shenzhen, China
Tel : 0086-755-86928965
Fax : 0086-755-86009898-31396
Web : www.smq.com.cn
E-mail : emcrf@smq.com.cn

Test report declaration

Applicant : TCL Communication Ltd.
Address : 5/F, Building 22E, 22 Science Park East Avenue, Hong Kong
Science Park, Shatin, NT, Hong Kong
Manufacturer : TCL Communication Ltd.
Address : 5/F, Building 22E, 22 Science Park East Avenue, Hong Kong
Science Park, Shatin, NT, Hong Kong
EUT : MOVETIME FAMILY WATCH
Description :
Model No. : MT43KW
Trade mark : TCL
FCC ID : 2ACCJB127

Test Standards:
FCC PART 22H , 24E AND 27(2019)

The EUT described above is tested by Shenzhen Academy of Metrology and Quality Inspection EMC Laboratory to determine the maximum emissions from the EUT. Shenzhen Academy of Metrology and Quality Inspection EMC Laboratory is assumed full responsibility for the accuracy of the test results. The test data, data evaluation, test procedures, and equipment configurations shown in this report were made in accordance with the procedures given in ANSI C63.26 (2015) & KDB971168 and the energy emitted by the sample EUT tested as described in this report is in compliance with FCC Rules Part 22H, 24E and 27.

The test report is valid for above tested sample only and shall not be reproduced in part without written approval of the laboratory.

Project Engineer:	 _____ (Zeng Wei 曾伟)	Date: Jul.16, 2020 _____
Checked by:	 _____ (Lin Yixiang 林奕翔)	Date: Jul.16, 2020 _____
Approved by:	 _____ (Lin Bin 林斌)	Date: Jul.16, 2020 _____

TABLE OF CONTENTS

TEST REPORT DECLARATION	2
1. TEST RESULTS SUMMARY	4
2. GENERAL INFORMATION	5
2.1. Report information.....	5
2.2. Laboratory Accreditation and Relationship to Customer	5
2.3. Measurement Uncertainty	6
3. PRODUCT DESCRIPTION	7
3.1. EUT Description	7
3.2. Related Submittal(s) / Grant (s)	9
3.3. Block Diagram of EUT Configuration	9
3.4. Operating Condition of EUT	10
3.5. Support Equipment List	41
3.6. Test Conditions	41
3.7. Special Accessories	41
3.8. Equipment Modifications	41
4. TEST EQUIPMENT USED	42
5. TEST RESULTS	43
5.1. RF Power Output.....	43
5.2. Peak to Average Ratio	73
5.3. Occupied Bandwidth/Emission Bandwidth.....	79
5.4. Spurious Emission at Antenna Terminal	140
5.5. Spurious Emissions Radiated	517
5.6. Frequency Stability.....	551

1. TEST RESULTS SUMMARY

Table 1 Test Results Summary

FCC Measurement Specification	FCC Limits Part(s)	Description	Result
2.1046	22.913 24.232 27.50 (b) 27.50(c) 27.50(d) 27.50(h)	Effective Radiated Power of Transmitter	PASS
2.1046	22.913 24.232 27.50 (b) 27.50(c) 27.50(d) 27.50(h)	Peak to Average Ratio	PASS
2.1049	22.917(b) 24.238(b) 27.53	Occupied Bandwidth	PASS
2.1051	22.917 24.238 27.53	Spurious Emission at Antenna Terminal	PASS
2.1053	22.917 24.238 27.53	Radiated Spurious Emissions	PASS
2.1055	22.355 24.235 27.54	Frequency Stability	PASS

Remark: "N/A" means "Not applicable."

The tests documented in this report were performed in accordance with ANSI C63.26 (2015), FCC CFR 47 Part 2, Part 22H, 24E & Part 27.

2. GENERAL INFORMATION

2.1. Report information

This report is not a certificate of quality; it only applies to the sample of the specific product/equipment given at the time of its testing. The results are not used to indicate or imply that they are application to the similar items. In addition, such results must not be used to indicate or imply that SMQ approves recommends or endorses the manufacture, supplier or use of such product/equipment, or that SMQ in any way guarantees the later performance of the product/equipment.

The samples mentioned in this report is/are supplied by Applicant, SMQ therefore assumes no responsibility for the accuracy of information on the brand name, model number, origin of manufacture or any information supplied.

Additional copies of the report are available to the Applicant at an additional fee. No third part can obtain a copy of this report through SMQ, unless the applicant has authorized SMQ in writing to do so.

The lab will not be liable for any loss or damage resulting from false, inaccurate, inappropriate or incomplete product information provided by the applicant/manufacture.

2.2. Laboratory Accreditation and Relationship to Customer

The testing report were performed by the Shenzhen Academy of Metrology and quality Inspection EMC Laboratory (Guangdong EMC compliance testing center), in their facilities located at NETC Building, No.4 Tongfa Rd., Xili, Nanshan, Shenzhen, China. At the time of testing, Laboratory is accredited by the following organizations: China National Accreditation Service for Conformity Assessment (CNAS) accredits the Laboratory for conformance to FCC standards, EMC international standards and EN standards. The Registration Number is CNAS L0579.

The Laboratory is Accredited Testing Laboratory of FCC with Designation number CN1165 and Site registration number 582918.

The Laboratory is registered to perform emission tests with Innovation, Science and Economic Development (ISED), and the registration number is 11177A.

The Laboratory is registered to perform emission tests with VCCI, and the registration number are C-20048, G20076, R-20077, R-20078, and T-20047.

The Laboratory is Accredited Testing Laboratory of American Association for Laboratory Accreditation (A2LA) and certificate number is 3292.01.

2.3. Measurement Uncertainty

For a 95% confidence level ($k = 2$), the measurement expanded uncertainties for defined systems, in accordance with the recommendations of ISO 17025 as following:

Radiated Emission

30MHz~1000MHz 4.5dB

1GHz~26.5GHz 4.6dB

26dB & Occupied Bandwidth: $\pm 0.39\%$

Frequency Stability: $\pm 0.42\%$

Peak to Average Ratio: 0.45 dB

Conducted power: 0.3 dB

Temperature: ± 0.698

Supply voltages: $\pm 0.15\%$

3. PRODUCT DESCRIPTION

NOTE: The extreme test conditions for temperature and antenna gain were declared by the manufacturer.

3.1.EUT Description

Table 2 Specification of the Equipment under Test

Product Type:	MOVETIME FAMILY WATCH
Hardware Revision :	V05
Software Revision :	MT43K_NA_00.01_15
FCC ID:	2ACCJB127
Frequency:	GSM850: TX 824MHz~849MHz RX 869MHz~894MHz PCS1900: TX 1850MHz~1910MHz RX 1930MHz~1990MHz WCDMA 850: TX 824MHz~849MHz RX 869MHz~894MHz WCDMA 1700: TX: 1710MHz~1755MHz RX 2110MHz~2155MHz WCDMA 1900: TX 1850MHz~1910MHz RX 1930MHz~1990MHz LTE Band 2: TX 1850MHz~1910MHz RX 1930MHz~1990MHz LTE Band 4: TX: 1710MHz~1755MHz RX 2110MHz~2155MHz LTE Band 5: TX 824MHz~849MHz RX 869MHz~894MHz LTE Band 12: TX 699 ~ 716MHz RX 729 ~ 746MHz LTE Band 13: TX 777~ 787MHz RX 746~ 756MHz LTE Band 66: TX: 1710MHz~1780MHz RX 2110MHz~2200MHz
Type(s) of Modulation:	GSM:GMSK, 8PSK WCDMA:QPSK LTE:QPSK, 16QAM
Antenna Type:	PIFA antenna
Antenna Gain:	699MHz~716MHz: -12 dBi 777MHz~787MHz: -9 dBi 824MHz~849MHz: -8 dBi 1710MHz~1780MHz: -7 dBi 1850MHz~1910MHz: -7 dBi
Operating voltage:	DC: 3.3V (Low)/3.85V (Nominal)/ 4.2V (Max)

Table 3 Identification of the Equipment Under Test (EUT)

EUT	Serial Number/IMEI	HW Version	SW Version	Notes
1	015711000000443	V05	MT43K_NA_00 .01_15	Conducted testing sample.
2	015712000000433	V05	MT43K_NA_00 .01_15	Radiated testing sample.

Table 4 Identification of Accessory equipment

AE #	Type	Manufacturer	Model	Serial Number
--	--	--	--	--

Remark:

3.2. Related Submittal(s) / Grant (s)

This submittal(s) (test report) is intended for FCC ID: 2ACCJB127 filing to comply with FCC PART 22H, 24E AND 27.

3.3. Block Diagram of EUT Configuration

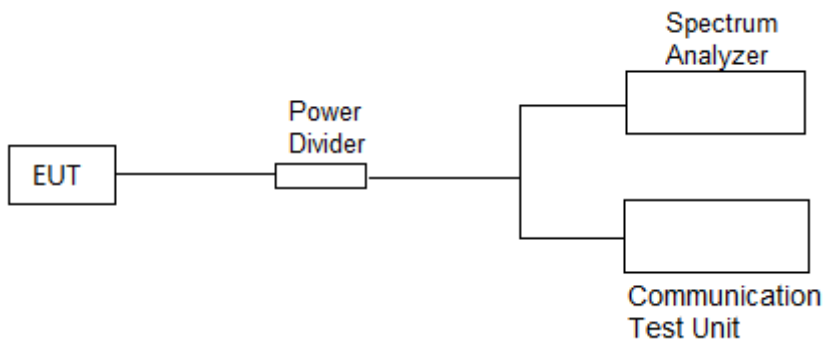


Figure 1 EUT setup of test mode 1, 2, 3, 4, 5

3.4. Operating Condition of EUT

During all testing, EUT is in link mode with base station emulator at maximum power level. The spurious emission measurements were carried out in semi-anechoic chamber with 3-meter test range, and EUT is rotated on three test planes to find out the worst emission (X plane).

- TM1:** GSM Mode with GMSK Modulation
- TM2:** EDGE Mode with 8PSK Modulation
- TM3:** WCDMA Mode with QPSK Modulation
- TM4:** LTE Mode with QPSK Modulation
- TM5:** LTE Mode with 16QAM Modulation

The maximum power levels are GSM mode for GMSK link, Edge mode for 8PSK link, WCDMA mode for QPSK link, LTE Mode for QPSK link ,LTE mode for 16QAM link. only these modes were used for all tests.

The conducted power tables are as follows:

Band: GSM850	Average Power [dBm]		
Channel	128	190	251
Frequency (MHz)	824.2	836.6	848.8
GSM (GMSK, 1 Tx slot)	33.24	33.44	33.58
GPRS (GMSK, 1 Tx slot)	33.22	33.62	33.94
GPRS (GMSK, 2 Tx slots)	33.17	33.36	33.49
GPRS (GMSK, 3 Tx slots)	33.00	33.25	33.34
GPRS (GMSK, 4 Tx slots)	32.86	33.26	33.40
EDGE (8PSK, 1 Tx slot)	27.80	28.03	28.22
EDGE (8PSK, 2 Tx slot)	27.57	27.78	27.90
EDGE (8PSK, 3 Tx slot)	27.44	27.76	27.96
EDGE (8PSK, 4 Tx slot)	27.39	27.71	27.95

Band: PCS1900	Average Power [dBm]		
Channel	512	661	810
Frequency (MHz)	1850.2	1880	1909.8
GSM (GMSK, 1 Tx slot)	30.36	30.07	29.83
GPRS (GMSK, 1 Tx slot)	29.98	29.60	29.74
GPRS (GMSK, 2 Tx slots)	29.73	29.84	29.57
GPRS (GMSK, 3 Tx slots)	30.07	29.82	29.61

GPRS (GMSK, 4 Tx slots)	30.10	29.82	29.55
EDGE (8PSK, 1 Tx slot)	27.58	27.25	26.88
EDGE (8PSK, 2 Tx slot)	27.44	27.01	26.60
EDGE (8PSK, 3 Tx slot)	27.46	26.98	26.71
EDGE (8PSK, 4 Tx slot)	27.44	27.00	26.65

Band: WCDMA Band V	Average Power [dBm]		
Channel	4,132	4,182	4,233
Frequency (MHz)	826.4	836.4	846.6
RMC 12.2K	22.14	22.34	22.09
HSDPA Subtest-1	21.24	21.12	21.12
HSDPA Subtest-2	20.58	20.60	20.44
HSDPA Subtest-3	20.74	20.57	20.29
HSDPA Subtest-4	20.71	20.34	20.65
HSUPA Subtest-1	20.47	21.00	18.88
HSUPA Subtest-2	20.04	19.70	19.13
HSUPA Subtest-3	20.19	19.15	18.80
HSUPA Subtest-4	20.78	19.15	19.52
HSUPA Subtest-5	21.32	20.09	20.25

Band: WCDMA Band IV	Average Power [dBm]		
Channel	1312	1413	1513
Frequency (MHz)	1712.4	1732.6	1752.6
RMC 12.2K	22.01	22.16	22.23
HSDPA Subtest-1	21.33	21.38	21.39
HSDPA Subtest-2	20.68	20.78	20.68
HSDPA Subtest-3	20.67	20.58	20.57
HSDPA Subtest-4	20.59	20.58	20.57
HSUPA Subtest-1	20.51	21.11	21.19
HSUPA Subtest-2	20.07	19.98	20.04
HSUPA Subtest-3	19.55	19.43	19.62
HSUPA Subtest-4	20.69	20.68	20.72
HSUPA Subtest-5	21.33	21.29	21.43

Band: WCDMA Band II	Average Power [dBm]		
Channel	9262	9400	9538
Frequency (MHz)	1852.4	1880.0	1907.6
RMC 12.2K	22.51	22.30	22.25
HSDPA Subtest-1	21.25	21.17	21.25
HSDPA Subtest-2	20.68	20.71	20.62
HSDPA Subtest-3	20.50	20.34	20.47
HSDPA Subtest-4	20.44	20.42	20.43
HSUPA Subtest-1	20.55	20.83	21.09
HSUPA Subtest-2	20.01	19.61	19.78
HSUPA Subtest-3	20.10	19.27	19.48
HSUPA Subtest-4	20.65	20.62	20.44
HSUPA Subtest-5	21.38	21.15	21.21

LTE Band 2(Bandwidth: 1.4MHz)

Channel Bandwidth: 1.4 MHz					
Modulation	Channel	Frequency (MHz)	RB Configuration		Average Power [dBm]
			Size	Offset	
QPSK	18607	1850.7	1	0	21.81
			1	3	22.14
			1	5	22.17
			3	0	21.82
			3	2	21.91
			3	3	21.92
	18900	1880	6	0	20.90
			1	0	21.87
			1	3	21.50
			1	5	21.70
			3	0	21.78
			3	2	21.78
	19193	1909.3	3	3	21.80
			6	0	20.67
			1	0	21.66
			1	3	21.91
			1	5	21.73
			3	0	21.51
16QAM	18607	1850.7	3	2	21.78
			3	3	21.80
			6	0	20.68
			1	0	20.99
			1	3	21.09
			1	5	21.01
	18900	1880	3	0	20.81
			3	2	20.82
			3	3	20.82
			6	0	19.61
			1	0	21.04
			1	3	21.39
	19193	1909.3	1	5	21.30
			3	0	20.30
			3	2	20.31
			3	3	20.32
			6	0	19.76
			1	0	20.67
19193	1909.3	1	3	20.73	
		1	5	21.02	
		3	0	20.33	
		3	2	20.48	
		3	3	20.49	
		6	0	20.04	

LTE Band 2(Bandwidth: 3MHz)

Channel Bandwidth: 3 MHz					
Modulation	Channel	Frequency (MHz)	RB Configuration		Average Power [dBm]
			Size	Offset	
QPSK	18615	1851.5	1	0	21.81
			1	7	22.00
			1	14	21.84
			8	0	20.88
			8	4	20.82
			8	7	20.90
	18900	1880	15	0	20.95
			1	0	21.81
			1	7	22.02
			1	14	21.59
			8	0	20.55
			8	4	20.56
	19185	1908.5	8	7	20.61
			15	0	20.64
			1	0	21.84
1			7	21.49	
1			14	21.46	
8			0	20.78	
16QAM	18615	1851.5	8	4	20.77
			8	7	20.70
			15	0	20.65
			1	0	21.29
			1	7	21.06
			1	14	20.75
	18900	1880	8	0	20.05
			8	4	20.06
			8	7	19.88
			15	0	20.02
			1	0	20.81
			1	7	20.63
	19185	1908.5	1	14	20.66
			8	0	19.55
			8	4	19.50
8			7	19.52	
15			0	19.61	
1			0	21.13	
19185	1908.5	1	7	21.27	
		1	14	21.15	
		8	0	19.80	
		8	4	19.79	
		8	7	19.43	
		15	0	19.60	

LTE Band 2 (Bandwidth: 5MHz)

Channel Bandwidth: 5 MHz					
Modulation	Channel	Frequency (MHz)	RB Configuration		Average Power [dBm]
			Size	Offset	
QPSK	18625	1852.5	1	0	21.80
			1	12	21.74
			1	24	21.79
			12	0	20.77
			12	6	20.66
			12	13	20.69
			25	0	20.77
	18900	1880	1	0	21.69
			1	12	21.60
			1	24	21.87
			12	0	20.60
			12	6	20.65
			12	13	20.70
	19175	1907.5	25	0	20.66
			1	0	22.04
			1	12	21.73
			1	24	21.55
			12	0	20.65
12			6	20.65	
12			13	20.64	
16QAM	18625	1852.5	25	0	20.76
			1	0	20.87
			1	12	20.81
			1	24	20.86
			12	0	19.74
			12	6	19.81
			12	13	19.92
	18900	1880	25	0	19.83
			1	0	21.03
			1	12	20.66
			1	24	20.60
			12	0	19.41
			12	6	19.62
			12	13	19.72
	19175	1907.5	25	0	19.79
			1	0	20.62
			1	12	20.19
			1	24	20.18
			12	0	19.67
			12	6	19.68
			12	13	19.66
	25	0	19.69		

LTE Band 2 (Bandwidth: 10MHz)

Channel Bandwidth: 10 MHz					
Modulation	Channel	Frequency (MHz)	RB Configuration		Average Power [dBm]
			Size	Offset	
QPSK	18650	1855	1	0	21.71
			1	24	21.54
			1	49	21.83
			25	0	20.77
			25	12	20.85
			25	25	20.79
	18900	1880	50	0	20.67
			1	0	21.62
			1	24	21.72
			1	49	21.63
			25	0	20.67
			25	12	20.67
	19150	1905	25	25	20.69
			50	0	20.69
			1	0	21.54
			1	24	21.66
			1	49	21.60
			25	0	20.75
16QAM	18650	1855	25	12	20.68
			25	25	20.78
			50	0	20.65
			1	0	20.49
			1	24	20.67
			1	49	20.68
	18900	1880	25	0	19.88
			25	12	19.76
			25	25	19.77
			50	0	19.67
			1	0	21.16
			1	24	20.96
	19150	1905	1	49	21.39
			25	0	19.85
			25	12	19.76
			25	25	19.70
			50	0	19.51
			1	0	20.80
			1	24	20.74
			1	49	20.71
			25	0	19.76
			25	12	19.67
			25	25	19.77
			50	0	19.57

LTE Band 2 (Bandwidth: 15MHz)

Channel Bandwidth: 15 MHz					
Modulation	Channel	Frequency (MHz)	RB Configuration		Average Power [dBm]
			Size	Offset	
QPSK	18675	1857.5	1	0	21.99
			1	37	21.61
			1	74	21.52
			37	0	20.67
			37	18	20.65
			37	38	20.62
	18900	1880	75	0	20.75
			1	0	21.56
			1	37	21.90
			1	74	21.57
			37	0	20.80
			37	18	20.73
	19125	1902.5	37	38	20.78
			75	0	20.76
			1	0	21.68
			1	37	21.60
			1	74	21.74
			37	0	20.76
16QAM	18675	1857.5	37	18	20.81
			37	38	20.79
			75	0	20.76
			1	0	21.67
			1	37	21.57
			1	74	21.42
	18900	1880	37	0	19.66
			37	18	19.60
			37	38	19.56
			75	0	19.72
			1	0	20.60
			1	37	20.31
	19125	1902.5	1	74	20.61
			37	0	19.84
			37	18	19.78
			37	38	19.76
			75	0	19.78
			1	0	20.68
18675	1857.5	1	37	20.72	
		1	74	20.97	
		37	0	19.80	
		37	18	19.80	
		37	38	19.82	
		75	0	19.65	

LTE Band 2 (Bandwidth: 20MHz)

Channel Bandwidth: 20 MHz					
Modulation	Channel	Frequency (MHz)	RB Configuration		Average Power [dBm]
			Size	Offset	
QPSK	18700	1860	1	0	23.00
			1	49	22.65
			1	99	22.63
			50	0	21.79
			50	25	21.81
			50	50	21.91
	100	0	21.83		
	18900	1880	1	0	22.47
			1	49	22.52
			1	99	22.84
			50	0	21.76
			50	25	21.66
			50	50	21.77
	100	0	21.70		
	19100	1900	1	0	22.52
			1	49	22.90
			1	99	22.51
			50	0	21.72
50			25	21.72	
50			50	21.68	
100	0	21.70			
16QAM	18700	1860	1	0	22.09
			1	49	21.65
			1	99	21.64
			50	0	20.83
			50	25	20.82
			50	50	20.94
	100	0	20.87		
	18900	1880	1	0	21.21
			1	49	21.68
			1	99	21.29
			50	0	20.84
			50	25	20.82
			50	50	20.71
	100	0	20.72		
	19100	1900	1	0	21.30
			1	49	21.65
			1	99	21.32
			50	0	20.70
50			25	20.72	
50			50	20.72	
100	0	20.72			

LTE Band 4 (Bandwidth: 1.4MHz)

Channel Bandwidth: 1.4 MHz					
Modulation	Channel	Frequency (MHz)	RB Configuration		Average Power [dBm]
			Size	Offset	
QPSK	19957	1710.7	1	0	22.21
			1	3	22.14
			1	5	22.30
			3	0	22.55
			3	2	22.56
			3	3	22.58
	20175	1732.5	6	0	21.27
			1	0	22.65
			1	3	22.24
			1	5	22.25
			3	0	22.38
			3	2	22.35
	20393	1754.3	3	3	22.26
			6	0	21.41
			1	0	22.19
			1	3	22.05
			1	5	22.41
			3	0	22.20
16QAM	19957	1710.7	3	2	22.30
			3	3	22.29
			6	0	21.07
			1	0	21.94
			1	3	21.60
			1	5	21.67
	20175	1732.5	3	0	21.37
			3	2	21.39
			3	3	21.41
			6	0	20.29
			1	0	21.27
			1	3	21.64
	20393	1754.3	1	5	21.42
			3	0	21.14
			3	2	21.10
			3	3	21.10
			6	0	20.13
			1	0	21.06
20393	1754.3	1	3	21.11	
		1	5	21.34	
		3	0	21.11	
		3	2	21.28	
		3	3	21.28	
		6	0	19.83	

LTE Band 4 (Bandwidth: 3MHz)

Channel Bandwidth: 3 MHz					
Modulation	Channel	Frequency (MHz)	RB Configuration		Average Power [dBm]
			Size	Offset	
QPSK	19965	1711.5	1	0	22.17
			1	7	22.00
			1	14	22.08
			8	0	21.28
			8	4	21.15
			8	7	21.32
	20175	1732.5	15	0	21.24
			1	0	22.18
			1	7	22.54
			1	14	22.42
			8	0	21.30
			8	4	21.37
	20385	1753.5	8	7	21.28
			8	0	21.25
			1	0	22.14
			1	7	22.04
			1	14	21.84
			8	0	21.06
16QAM	19965	1711.5	8	4	21.06
			8	7	21.10
			15	0	21.17
			1	0	20.98
			1	7	21.21
			1	14	21.10
	20175	1732.5	8	0	19.91
			8	4	20.11
			8	7	20.37
			15	0	19.96
			1	0	21.53
			1	7	21.35
	20385	1753.5	1	14	21.63
			8	0	20.21
			8	4	20.21
			8	7	20.25
			15	0	20.08
			1	0	21.22
20385	1753.5	1	7	20.78	
		1	14	21.07	
		8	0	19.98	
		8	4	20.22	
		8	7	19.98	
		15	0	20.18	

LTE Band 4 (Bandwidth: 5MHz)

Channel Bandwidth: 5 MHz					
Modulation	Channel	Frequency (MHz)	RB Configuration		Average Power [dBm]
			Size	Offset	
QPSK	19975	1712.5	1	0	22.03
			1	12	22.14
			1	24	22.07
			12	0	21.17
			12	6	21.13
			12	13	21.15
	20175	1732.5	25	0	21.21
			1	0	22.36
			1	12	22.26
			1	24	22.42
			12	0	21.23
			12	6	21.37
	20375	1752.5	12	13	21.33
			25	0	21.28
			1	0	22.04
			1	12	22.28
			1	24	22.25
			12	0	21.09
16QAM	19975	1712.5	12	6	21.10
			12	13	21.26
			25	0	21.12
			1	0	21.19
			1	12	21.01
			1	24	21.02
	20175	1732.5	12	0	20.29
			12	6	20.08
			12	13	20.21
			25	0	19.95
			1	0	21.35
			1	12	21.26
	20375	1752.5	1	24	21.38
			12	0	20.12
			12	6	20.18
			12	13	20.14
			25	0	20.31
			1	0	20.66
20375	1752.5	1	12	20.89	
		1	24	21.28	
		12	0	20.08	
		12	6	20.09	
		12	13	20.14	
		25	0	20.12	

LTE Band 4 (Bandwidth: 10MHz)

Channel Bandwidth: 10 MHz					
Modulation	Channel	Frequency (MHz)	RB Configuration		Average Power [dBm]
			Size	Offset	
QPSK	20000	1715	1	0	22.25
			1	24	21.93
			1	49	22.37
			25	0	21.23
			25	12	21.18
			25	25	21.15
	20175	1732.5	50	0	21.26
			1	0	22.31
			1	24	22.39
			1	49	22.20
			25	0	21.23
			25	12	21.29
	20350	1775	25	25	21.22
			50	0	21.25
			1	0	22.14
			1	24	21.92
			1	49	22.11
			25	0	20.98
16QAM	20350	1715	25	12	21.14
			25	25	21.24
			50	0	21.15
			1	0	21.17
			1	24	21.19
			1	49	21.16
	20175	1732.5	25	0	20.14
			25	12	20.21
			25	25	20.17
			50	0	20.03
			1	0	21.84
			1	24	21.95
	20350	1750	1	49	21.78
			25	0	20.23
			25	12	20.24
			25	25	20.22
			50	0	20.25
			1	0	21.10
			1	24	21.22
			1	49	21.17
			25	0	20.00
			25	12	20.20
			25	25	20.07
			50	0	20.13

LTE Band 4 (Bandwidth: 15MHz)

Channel Bandwidth: 15 MHz					
Modulation	Channel	Frequency (MHz)	RB Configuration		Average Power [dBm]
			Size	Offset	
QPSK	20025	1717.5	1	0	21.95
			1	37	21.98
			1	74	21.89
			37	0	21.31
			37	18	21.41
			37	38	21.20
	75	0	21.22		
	20175	1732.5	1	0	22.27
			1	37	22.24
			1	74	22.35
			37	0	21.85
			37	18	22.28
			37	38	22.20
	75	0	21.32		
	20325	1747.5	1	0	22.00
			1	37	22.17
			1	74	22.26
			37	0	21.11
37			18	21.70	
37			38	21.23	
75	0	21.17			
16QAM	20025	1717.5	1	0	20.93
			1	37	21.32
			1	74	21.02
			37	0	21.29
			37	18	21.39
			37	38	21.26
	75	0	20.23		
	20175	1732.5	1	0	22.01
			1	37	22.27
			1	74	21.82
			37	0	21.58
			37	18	22.19
			37	38	21.53
	75	0	20.35		
	20325	1747.5	1	0	21.42
			1	37	21.13
			1	74	21.22
			37	0	21.11
37			18	21.37	
37			38	21.23	
75	0	20.13			

LTE Band 4 (Bandwidth: 20MHz)

Channel Bandwidth: 20 MHz					
Modulation	Channel	Frequency (MHz)	RB Configuration		Average Power [dBm]
			Size	Offset	
QPSK	20050	1720	1	0	22.84
			1	49	22.26
			1	99	22.54
			50	0	21.14
			50	25	21.08
			50	50	21.39
	20175	1732.5	100	0	21.33
			1	0	22.47
			1	49	22.31
			1	99	22.24
			50	0	21.27
			50	25	21.23
	20300	1745	50	50	21.28
			100	0	21.36
			1	0	22.60
			1	49	22.37
			1	99	22.13
			50	0	21.32
16QAM	20050	1720	50	25	21.47
			50	50	21.50
			100	0	21.41
			1	0	22.16
			1	49	21.41
			1	99	22.01
	20175	1732.5	50	0	20.12
			50	25	20.06
			50	50	20.29
			100	0	20.21
			1	0	21.39
			1	49	21.20
	20300	1745	1	99	20.94
			50	0	20.34
			50	25	20.34
			50	50	20.17
			100	0	20.20
			1	0	21.53
20050	1720	1	49	21.49	
		1	99	21.40	
		50	0	20.42	
		50	25	20.20	
		50	50	20.48	
		100	0	20.16	

LTE Band 5(Bandwidth: 1.4MHz)

Channel Bandwidth: 1.4 MHz					
Modulation	Channel	Frequency (MHz)	RB Configuration		Average Power [dBm]
			Size	Offset	
QPSK	20407	824.7	1	0	21.97
			1	3	22.08
			1	5	22.29
			3	0	22.02
			3	2	22.13
			3	3	22.29
	20525	836.5	1	0	22.32
			1	3	22.28
			1	5	22.03
			3	0	22.52
			3	2	22.12
			3	3	22.49
	20643	848.3	1	0	21.94
			1	3	21.82
			1	5	21.86
			3	0	21.95
			3	2	22.01
			3	3	22.06
16QAM	20407	824.7	1	0	21.00
			1	3	21.09
			1	5	20.97
			3	0	21.27
			3	2	21.30
			3	3	21.04
	20525	836.5	1	0	21.66
			1	3	21.56
			1	5	21.40
			3	0	21.28
			3	2	21.36
			3	3	21.34
	20643	848.3	1	0	21.50
			1	3	21.08
			1	5	20.62
			3	0	20.81
			3	2	20.67
			3	3	20.88
			6	0	20.34

LTE Band 5(Bandwidth: 3MHz)

Channel Bandwidth: 3 MHz					
Modulation	Channel	Frequency (MHz)	RB Configuration		Average Power [dBm]
			Size	Offset	
QPSK	20415	825.5	1	0	21.99
			1	7	21.99
			1	14	22.32
			8	0	21.17
			8	4	21.27
			8	7	21.18
	20525	836.5	15	0	21.26
			1	0	22.13
			1	7	22.12
			1	14	22.37
			8	0	21.19
			8	4	21.14
	20635	847.5	8	7	21.24
			15	0	21.15
			1	0	22.11
			1	7	21.91
			1	14	22.07
			8	0	21.12
16QAM	20415	825.5	8	4	21.11
			8	7	21.10
			15	0	21.08
			1	0	22.11
			1	7	21.91
			1	14	22.07
	20525	836.5	8	0	21.12
			8	4	21.11
			8	7	21.10
			15	0	21.08
			1	0	22.11
			1	7	21.91
	20635	847.5	1	14	22.07
			8	0	21.12
			8	4	21.11
			8	7	21.10
			15	0	21.08
			1	0	22.11
16QAM	20415	825.5	1	7	21.91
			1	14	22.07
			8	0	21.12
			8	4	21.11
			8	7	21.10
			15	0	21.08
	20525	836.5	1	0	22.11
			1	7	21.91
			1	14	22.07
			8	0	21.12
			8	4	21.11
			8	7	21.10
	20635	847.5	15	0	21.08
			1	0	22.11
			1	7	21.91
			1	14	22.07
			8	0	21.12
			8	4	21.11
16QAM	20415	825.5	8	7	21.10
			15	0	21.08
			1	0	22.11
			1	7	21.91
			1	14	22.07
			8	0	21.12
	20525	836.5	8	4	21.11
			8	7	21.10
			15	0	21.08
			1	0	22.11
			1	7	21.91
			1	14	22.07
	20635	847.5	8	0	21.12
			8	4	21.11
			8	7	21.10
			15	0	21.08
			1	0	22.11
			1	7	21.91

LTE Band 5(Bandwidth: 5MHz)

Channel Bandwidth: 5 MHz					
Modulation	Channel	Frequency (MHz)	RB Configuration		Average Power [dBm]
			Size	Offset	
QPSK	20425	826.5	1	0	22.10
			1	12	22.11
			1	24	22.23
			12	0	21.15
			12	6	21.08
			12	13	21.10
	20525	836.5	25	0	21.11
			1	0	22.08
			1	12	22.08
			1	24	22.04
			12	0	21.20
			12	6	21.07
	20625	846.5	12	13	21.14
			25	0	21.05
			1	0	22.03
			1	12	21.97
			1	24	22.21
			12	0	21.12
16QAM	20425	826.5	12	6	21.02
			12	13	21.02
			25	0	21.04
			1	0	21.20
			1	12	21.07
			1	24	21.03
	20525	836.5	12	0	20.24
			12	6	20.27
			12	13	20.18
			25	0	20.09
			1	0	21.06
			1	12	21.18
	20625	846.5	1	24	21.11
			12	0	19.94
			12	6	20.04
			12	13	20.04
			25	0	20.14
			1	0	20.96
20625	846.5	1	12	20.71	
		1	24	20.80	
		12	0	20.13	
		12	6	20.15	
		12	13	19.94	
		25	0	20.08	

LTE Band 5 (Bandwidth: 10MHz)

Channel Bandwidth: 10 MHz					
Modulation	Channel	Frequency (MHz)	RB Configuration		Average Power [dBm]
			Size	Offset	
QPSK	20450	829	1	0	22.15
			1	24	22.04
			1	49	22.23
			25	0	21.25
			25	12	21.06
			25	25	21.08
	50	0	21.07		
	20525	836.5	1	0	22.06
			1	24	22.18
			1	49	22.16
			25	0	21.12
			25	12	21.22
			25	25	21.17
	50	0	21.17		
	20600	844	1	0	22.20
			1	24	22.16
			1	49	22.34
			25	0	21.16
25			12	21.13	
25			25	21.16	
50	0	21.08			
16QAM	20450	829	1	0	21.07
			1	24	21.16
			1	49	21.27
			25	0	20.19
			25	12	20.10
			25	25	20.39
	50	0	20.20		
	20525	836.5	1	0	21.71
			1	24	21.63
			1	49	21.81
			25	0	20.18
			25	12	20.03
			25	25	20.26
	50	0	20.11		
	20600	844	1	0	21.34
			1	24	21.41
			1	49	21.05
			25	0	20.07
25			12	20.05	
25			25	20.18	
50	0	20.11			

LTE Band 12(Bandwidth: 1.4MHz)

Channel Bandwidth: 1.4 MHz					
Modulation	Channel	Frequency (MHz)	RB Configuration		Average Power [dBm]
			Size	Offset	
QPSK	23017	699.7	1	0	21.95
			1	3	22.36
			1	5	22.11
			3	0	22.01
			3	2	22.24
			3	3	22.19
	23095	707.5	6	0	21.28
			1	0	22.55
			1	3	22.29
			1	5	22.40
			3	0	22.42
			3	2	22.50
	23173	715.3	3	3	22.43
			6	0	21.31
			1	0	22.38
			1	3	22.56
			1	5	22.33
			3	0	22.36
16QAM	23017	699.7	3	2	22.34
			3	3	22.29
			6	0	21.24
			1	0	21.36
			1	3	21.42
			1	5	21.01
	23095	707.5	3	0	21.23
			3	2	21.20
			3	3	21.60
			6	0	20.20
			1	0	21.88
			1	3	21.84
	23173	715.3	1	5	21.90
			3	0	21.33
			3	2	21.34
			3	3	21.34
			6	0	20.27
			1	0	21.63
23017	699.7	1	3	21.37	
		1	5	21.64	
		3	0	21.03	
		3	2	21.06	
		3	3	21.14	
		6	0	20.26	

LTE Band 12(Bandwidth: 3MHz)

Channel Bandwidth: 3 MHz					
Modulation	Channel	Frequency (MHz)	RB Configuration		Average Power [dBm]
			Size	Offset	
QPSK	23025	700.5	1	0	22.28
			1	7	22.35
			1	14	22.05
			8	0	21.27
			8	4	21.18
			8	7	21.28
	23095	707.5	15	0	21.25
			1	0	22.27
			1	7	22.36
			1	14	22.33
			8	0	21.31
			8	4	21.30
	23165	714.5	8	7	21.24
			8	0	21.15
			15	0	21.15
			1	0	22.18
			1	7	21.96
			1	14	22.19
16QAM	23025	700.5	8	0	21.27
			8	4	21.15
			8	7	21.27
			15	0	21.23
			1	0	20.99
			1	7	20.86
	23095	707.5	1	14	21.08
			8	0	20.31
			8	4	20.31
			8	7	20.32
			15	0	20.14
			1	0	21.59
	23165	714.5	1	7	21.66
			1	14	22.04
			8	0	20.15
			8	4	20.15
			8	7	20.17
			15	0	20.02
23165	714.5	1	0	21.07	
		1	7	21.30	
		1	14	21.22	
		8	0	20.26	
		8	4	20.30	
		8	7	20.14	
15	0	20.21			

LTE Band 12(Bandwidth: 5MHz)

Channel Bandwidth: 5 MHz					
Modulation	Channel	Frequency (MHz)	RB Configuration		Average Power [dBm]
			Size	Offset	
QPSK	23035	701.5	1	0	22.22
			1	12	22.24
			1	24	22.11
			12	0	21.21
			12	6	21.21
			12	13	21.19
	25	0	21.18		
	23095	707.5	1	0	22.11
			1	12	22.11
			1	24	22.10
			12	0	21.11
			12	6	21.15
			12	13	21.14
	25	0	21.14		
	23155	713.5	1	0	22.09
			1	12	22.09
			1	24	22.05
			12	0	21.17
12			6	21.19	
12			13	21.17	
25	0	21.14			
16QAM	23035	701.5	1	0	21.16
			1	12	21.16
			1	24	21.44
			12	0	20.18
			12	6	20.27
			12	13	20.28
	25	0	20.17		
	23095	707.5	1	0	21.08
			1	12	21.21
			1	24	21.20
			12	0	20.09
			12	6	20.09
			12	13	20.09
	25	0	20.25		
	23155	713.5	1	0	21.08
			1	12	21.27
			1	24	20.90
			12	0	20.09
12			6	20.08	
12			13	19.97	
25	0	20.19			

LTE Band 12(Bandwidth: 10MHz)

Channel Bandwidth: 10 MHz					
Modulation	Channel	Frequency (MHz)	RB Configuration		Average Power [dBm]
			Size	Offset	
QPSK	23060	704	1	0	22.10
			1	24	22.00
			1	49	21.98
			25	0	21.21
			25	12	21.11
			25	25	21.18
	23095	707.5	50	0	21.22
			1	0	22.13
			1	24	22.50
			1	49	22.23
			25	0	21.22
			25	12	21.21
	23130	711	25	25	21.20
			50	0	21.14
			1	0	22.10
			1	24	22.07
			1	49	22.06
			25	0	21.31
16QAM	23060	704	25	12	21.19
			25	25	21.23
			50	0	21.19
			1	0	21.15
			1	24	21.04
			1	49	20.87
	23095	707.5	25	0	20.23
			25	12	20.15
			25	25	20.13
			50	0	20.26
			1	0	21.28
			1	24	21.94
	23130	711	1	49	21.70
			25	0	20.12
			25	12	20.26
			25	25	20.25
			50	0	20.18
			1	0	21.06
23130	711	1	24	21.59	
		1	49	21.07	
		25	0	20.24	
		25	12	20.27	
		25	25	20.05	
		50	0	20.22	

LTE Band 13(Bandwidth: 5MHz)

Channel Bandwidth: 5 MHz					
Modulation	Channel	Frequency (MHz)	RB Configuration		Average Power [dBm]
			Size	Offset	
QPSK	23205	779.5	1	0	22.27
			1	12	22.48
			1	24	22.18
			12	0	21.21
			12	6	21.22
			12	13	21.19
	23230	782	25	0	21.22
			1	0	22.42
			1	12	22.09
			1	24	22.21
			12	0	21.29
			12	6	21.23
	23255	784.5	12	13	21.18
			25	0	21.18
			1	0	22.14
			1	12	22.20
			1	24	21.94
			12	0	21.17
16QAM	23205	779.5	12	6	21.10
			12	13	21.17
			25	0	21.23
			1	0	21.32
			1	12	21.07
			1	24	21.22
	23230	782	12	0	20.25
			12	6	20.30
			12	13	20.37
			25	0	20.22
			1	0	20.88
			1	12	21.43
	23255	784.5	1	24	21.53
			12	0	19.99
			12	6	20.07
			12	13	19.96
			25	0	20.23
			1	0	20.83
23205	779.5	1	12	21.32	
		1	24	21.24	
		12	0	20.13	
		12	6	20.20	
		12	13	20.19	
		25	0	20.28	

LTE Band 13(Bandwidth: 10MHz)

Channel Bandwidth: 10 MHz					
Modulation	Channel	Frequency (MHz)	RB Configuration		Average Power [dBm]
			Size	Offset	
QPSK	23230	782	1	0	22.07
			1	24	22.26
			1	49	22.16
			25	0	21.26
			25	12	21.25
			25	25	21.23
			50	0	21.18
16QAM	23230	782	1	0	21.25
			1	24	20.94
			1	49	21.14
			25	0	20.10
			25	12	20.19
			25	25	20.39
			50	0	20.21

LTE Band 66 (Bandwidth: 1.4MHz)

Modulation	Channel	Frequency (MHz)	RB Configuration		Conducted Average Power [dBm]
			Size	Offset	
QPSK	131979	1710.7	1	0	22.69
			1	3	22.14
			1	5	22.42
			3	0	22.40
			3	2	22.41
			3	3	22.43
	132322	1745	1	0	22.32
			1	3	22.54
			1	5	22.38
			3	0	22.63
			3	2	22.56
			3	3	22.72
	132665	1779.3	6	0	21.53
			1	0	22.26
			1	3	22.25
			1	5	22.28
			3	0	22.31
			3	2	22.28
16QAM	131979	1710.7	3	3	22.29
			3	3	22.29
			6	0	21.35
			1	0	21.31
			1	3	21.30
			1	5	21.71
	132322	1745	3	0	21.17
			3	2	21.35
			3	3	21.17
			6	0	20.17
			1	0	21.97
			1	3	22.04
	132665	1779.3	1	5	21.96
			3	0	21.48
			3	2	21.52
			3	3	21.53
			6	0	20.54
			1	0	21.64
131979	1710.7	1	3	21.24	
		1	5	21.33	
		3	0	21.07	
		3	2	21.21	
		3	3	21.11	
		6	0	20.50	

LTE Band 66 (Bandwidth: 3MHz)

Modulation	Channel	Frequency (MHz)	RB Configuration		Conducted Average Power [dBm]
			Size	Offset	
QPSK	131987	1711.5	1	0	22.25
			1	7	22.06
			1	14	22.23
			8	0	21.51
			8	4	21.48
			8	7	21.48
	132322	1745	1	0	22.61
			1	7	22.36
			1	14	22.74
			8	0	21.52
			8	4	21.44
			8	7	21.43
	132657	1778.5	1	0	21.44
			1	7	22.34
			1	14	22.33
8			0	22.39	
8			4	21.40	
8			7	21.34	
16QAM	131987	1711.5	8	7	21.32
			15	0	21.31
			1	0	21.29
			1	7	21.22
			1	14	21.18
			8	0	20.50
	132322	1745	8	4	20.63
			8	7	20.68
			15	0	20.51
			1	0	21.41
			1	7	21.39
			1	14	21.36
	132657	1778.5	8	0	20.34
			8	4	20.40
			8	7	20.40
15			0	20.46	
1			0	21.60	
1			7	21.56	
			1	14	21.99
			8	0	20.38
			8	4	20.37
			8	7	20.27
			15	0	20.28

LTE Band 66 (Bandwidth: 5MHz)

Modulation	Channel	Frequency (MHz)	RB Configuration		Conducted Average Power [dBm]
			Size	Offset	
QPSK	131997	1712.5	1	0	22.17
			1	12	22.41
			1	24	22.28
			12	0	21.47
			12	6	21.41
			12	13	21.39
	132322	1745	25	0	21.38
			1	0	22.52
			1	12	22.36
			1	24	22.50
			12	0	21.51
			12	6	21.49
	132647	1777.5	12	13	21.45
			25	0	21.45
			1	0	22.48
			1	12	22.16
			1	24	22.25
			12	0	21.32
16QAM	131997	1712.5	12	6	21.40
			12	13	21.34
			25	0	21.29
			1	0	21.13
			1	12	21.30
			1	24	21.24
	132322	1745	12	0	20.30
			12	6	20.39
			12	13	20.38
			25	0	20.48
			1	0	21.28
			1	12	21.35
	132647	1777.5	1	24	21.42
			12	0	20.57
			12	6	20.57
			12	13	20.62
			25	0	20.53
			1	0	21.42
			1	12	21.42
			1	24	21.26
			12	0	20.40
			12	6	20.40
			12	13	20.38
			25	0	20.44

LTE Band 66 (Bandwidth: 10MHz)

Modulation	Channel	Frequency (MHz)	RB Configuration		Conducted Average Power [dBm]
			Size	Offset	
QPSK	132022	1715	1	0	22.16
			1	24	22.33
			1	49	22.26
			25	0	21.48
			25	12	21.53
			25	25	21.43
	132322	1745	50	0	21.41
			1	0	22.47
			1	24	22.36
			1	49	22.49
			25	0	21.45
			25	12	21.59
	132622	1775	25	25	21.59
			50	0	21.52
			1	0	22.33
			1	24	22.17
			1	49	22.38
			25	0	21.39
16QAM	132022	1715	25	12	21.34
			25	25	21.43
			50	0	21.31
			1	0	21.33
			1	24	21.62
			1	49	21.34
	132322	1745	25	0	20.40
			25	12	20.41
			25	25	20.35
			50	0	20.39
			1	0	21.29
			1	24	21.28
	132622	1775	1	49	21.26
			25	0	20.52
			25	12	20.60
			25	25	20.47
			50	0	20.45
			1	0	21.91
			1	24	21.75
			1	49	21.94
			25	0	20.51
			25	12	20.47
			25	25	20.56
			50	0	20.44

LTE Band 66 (Bandwidth: 15MHz)

Modulation	Channel	Frequency (MHz)	RB Configuration		Conducted Average Power [dBm]
			Size	Offset	
QPSK	132047	1717.5	1	0	22.41
			1	37	22.24
			1	74	22.33
			37	0	21.45
			37	18	21.41
			37	38	21.46
	132322	1745	75	0	21.55
			1	0	22.24
			1	37	22.44
			1	74	22.31
			37	0	21.57
			37	18	21.06
	132597	1772.5	37	38	21.52
			75	0	21.56
			1	0	22.22
			1	37	22.28
			1	74	22.38
			37	0	21.95
16QAM	132047	1717.5	37	18	21.52
			37	38	21.41
			75	0	20.52
			1	0	21.07
			1	37	21.52
			1	74	21.61
	132322	1745	37	0	21.51
			37	18	21.09
			37	38	21.49
			75	0	20.70
			1	0	21.94
			1	37	21.29
	132597	1772.5	1	74	21.96
			37	0	22.01
			37	18	21.53
			37	38	21.61
			75	0	20.46

LTE Band 66 (Bandwidth: 20MHz)

Modulation	Channel	Frequency (MHz)	RB Configuration		Conducted Average Power [dBm]
			Size	Offset	
QPSK	132072	1720	1	0	22.58
			1	49	22.28
			1	99	22.61
			50	0	21.42
			50	25	21.50
			50	50	21.50
	132322	1745	100	0	21.52
			1	0	22.43
			1	49	23.02
			1	99	22.63
			50	0	21.56
			50	25	21.60
	132572	1770	50	50	21.61
			100	0	21.61
			1	0	22.34
1			49	22.40	
1			99	22.31	
50			0	21.33	
16QAM	132072	1720	50	25	21.42
			50	50	21.33
			100	0	21.34
			1	0	21.40
			1	49	21.58
			1	99	21.81
	132322	1745	50	0	20.39
			50	25	20.47
			50	50	20.62
			100	0	20.49
			1	0	22.22
			1	49	22.06
	132572	1770	1	99	21.56
			50	0	20.54
			50	25	20.63
50			50	20.57	
100			0	20.59	
1			0	21.12	
			1	49	21.33
			1	99	21.38
			50	0	20.43
			50	25	20.42
			50	50	20.41
			100	0	20.44

3.5. Support Equipment List

Table 5 Support Equipment List

Name	Model No	S/N	Manufacturer
--	--	--	--

3.6. Test Conditions

Date of test : Jun.19, 2020 - Jul.15, 2020

Date of EUT Receive : Jun.19, 2020

Temperature: -30~50 °C

Relative Humidity: 41~48%

3.7. Special Accessories

Not available for this EUT intended for grant.

3.8. Equipment Modifications

Not available for this EUT intended for grant.

4. TEST EQUIPMENT USED

Table 6 Test Equipment

No.	Equipment	Manufacturer	Model No.	Last Cal.	Cal. Interval
SB8501/09	EMI Test Receiver	Rohde & Schwarz	ESU40	Mar.11, 2020	1 Year
SB5472/02	Bilog Antenna	Schwarzbeck	VULB9163	Jan.10, 2020	1 Year
SB3435	Horn Antenna	Rohde & Schwarz	HF906	Dec.17, 2019	1 Year
SB8501/17	Preamplifier	Rohde & Schwarz	SCU-18	Feb.12, 2020	1 Year
SB8501/14	Preamplifier	Rohde & Schwarz	SCU-03	Feb.14, 2020	1 Year
SB8501/02	Communication Test Unit	Rohde & Schwarz	CMU200	May.17, 2020	1 Year
SB12724/08	Wideband Radio communication Tester	Rohde & Schwarz	CMW500	May.17, 2020	1 Year
SB9721/02	Signal Analyzer	Agilent	N9020A	May.17, 2020	1 Year
SB9721/07	DC Power Supply	Agilent	66319D	--	--
SB11818	Temperature & Humidity Test chamber	Espec	EH-010U	Mar.24, 2020	1 Year
--	Test Software	Tonscend	JS1120-1 LTE	--	--
--	Test Software	Tonscend	JS-1120-3 WCDMA	--	--
--	Radiated Test Software	Rohde & Schwarz	EMC 32 8.50.0	--	--

5. TEST RESULTS

5.1. RF Output Power

5.1.1. Test Standard

FCC: CFR Part 2.1046, CFR Part 22.913, CFR Part 24.232 CFR Part 27

5.1.2. Test Limit

FCC 22.913 (a) Effective radiated power limits.

The effective radiated power (ERP) of mobile transmitters must not exceed 7 Watts.

FCC 24.232 (b)(c) Power limits.

(b) Mobile/portable stations are limited to 2 Watts effective isotropic radiated power (EIRP). (c) Peak transmit power must be measured over any interval of continuous transmission using instrumentation calibrated in terms of an rms equivalent voltage. The measurement results shall be properly adjusted for any limitations, such as detector response times, limited resolution bandwidth capability when compared to the emission bandwidth, sensitivity, etc., so as to obtain a true peak measurement over the full bandwidth of the channel.

27.50 (b)(10) Portable stations (hand-held de-vices) transmitting in the 746–757 MHz, 776–788 MHz, and 805–806 MHz bands are limited to 3 watts ERP.

27.50 (d)(4) The following power and antenna height requirements apply to stations transmitting in the 1710–1755 MHz and 2110–2155 MHz bands: Fixed, mobile, and portable (hand-held) stations operating in the 1710–1755 MHz band are limited to 1 watt EIRP.

27.50 (c) The following power and antenna height requirements apply to stations transmitting in the 698–746 MHz band (10) Portable stations (hand-held de-vices) are limited to 3 watts ERP.

27.50 (h) (2) Mobile and other user stations. Mobile stations are limited to 2.0 watts EIRP. All user stations are limited to 2.0 watts transmitter output power.

5.1.3. Test Procedure

ANSI C63.26:2015

KDB 971168 Section 5.6

$EIRP \text{ (dBm)} = ERP \text{ (dBm)} + 2.15 \text{ (dB)}$

$ERP/EIRP = P_{Meas} + GT - LC$

where: ERP/EIRP = effective or equivalent radiated power, respectively (expressed in the same

units as P_{Meas} , typically dBW or dBm);

P_{Meas} = measured transmitter output power or PSD, in dBm or dBW;

GT = gain of the transmitting antenna, in dBd (ERP) or dBi (EIRP);

LC = signal attenuation in the connecting cable between the transmitter and antenna, in dB.

For devices utilizing multiple antennas, KDB 662911 provides guidance for determining the effective array transmit antenna gain term to be used in the above

equation.

EUT includes different power levels for head use configuration and body use configuration and the below tables contain the highest of all configurations average conducted and ERP/EIRP output powers as follows:

5.1.4. Test Data

GSM MODES:

Modulation	Channel	Frequency (MHz)	Conducted Average Power [dBm]	Antenna Gain [dBi]	ERP [dBm]	ERP Limit [dBm]	Verdict
GSM850(GMSK)	128	824.2	33.24	-8	23.09	38.5	Pass
	190	836.6	33.44	-8	23.29	38.5	Pass
	251	848.8	33.58	-8	23.43	38.5	Pass
EGPRS850(8PSK)	128	824.2	27.80	-8	17.65	38.5	Pass
	190	836.6	28.03	-8	17.88	38.5	Pass
	251	848.8	28.22	-8	18.07	38.5	Pass

Modulation	Channel	Frequency (MHz)	Conducted Average Power [dBm]	Antenna Gain [dBi]	EIRP [dBm]	EIRP Limit [dBm]	Verdict
GSM1900(GMSK)	512	1850.2	30.36	-7	23.36	33	Pass
	661	1880	30.07	-7	23.07	33	Pass
	810	1909.8	29.83	-7	22.83	33	Pass
EGPRS1900(8PSK)	512	1850.2	27.58	-7	20.58	33	Pass
	661	1880	27.25	-7	20.25	33	Pass
	810	1909.8	26.88	-7	19.88	33	Pass

WCDMA MODES:

Modulation	Channel	Frequency (MHz)	Conducted Average Power [dBm]	Antenna Gain [dBi]	ERP [dBm]	ERP Limit [dBm]	Verdict
WCDMA 850(QPSK)	4,132	826.4	22.14	-8	11.99	38.5	Pass
	4,182	836.4	22.34	-8	12.19	38.5	Pass
	4,233	846.6	22.09	-8	11.94	38.5	Pass

Modulation	Channel	Frequency (MHz)	Conducted Average Power [dBm]	Antenna Gain [dBi]	EIRP [dBm]	EIRP Limit [dBm]	Verdict
WCDMA1700(QPSK)	1312	1712.4	22.01	-7	15.01	33	Pass
	1413	1732.6	22.16	-7	15.16	33	Pass
	1513	1752.6	22.23	-7	15.23	33	Pass

Modulation	Channel	Frequency (MHz)	Conducted Average Power [dBm]	Antenna Gain [dBi]	EIRP [dBm]	EIRP Limit [dBm]	Verdict
WCDMA1900(QPSK)	9262	1852.4	22.51	-7	15.51	33	Pass
	9400	1880.0	22.30	-7	15.3	33	Pass
	9538	1907.6	22.25	-7	15.25	33	Pass

LTE Band 2(Bandwidth: 1.4MHz)

Channel Bandwidth: 1.4 MHz									
Modulation	Channel	Frequency (MHz)	RB Configuration		Conducted Average Power [dBm]	Antenna Gain [dBi]	EIRP [dBm]	EIRP Limit [dBm]	Verdict
			Size	Offset					
QPSK	18607	1850.7	1	0	21.81	-7	14.81	33	Pass
			1	3	22.14	-7	15.14	33	Pass
			1	5	22.17	-7	15.17	33	Pass
			3	0	21.82	-7	14.82	33	Pass
			3	2	21.91	-7	14.91	33	Pass
			3	3	21.92	-7	14.92	33	Pass
	18900	1880	6	0	20.90	-7	13.90	33	Pass
			1	0	21.87	-7	14.87	33	Pass
			1	3	21.50	-7	14.50	33	Pass
			1	5	21.70	-7	14.70	33	Pass
			3	0	21.78	-7	14.78	33	Pass
			3	2	21.78	-7	14.78	33	Pass
	19193	1909.3	3	3	21.80	-7	14.80	33	Pass
			6	0	20.67	-7	13.67	33	Pass
			1	0	21.66	-7	14.66	33	Pass
			1	3	21.91	-7	14.91	33	Pass
			1	5	21.73	-7	14.73	33	Pass
			3	0	21.51	-7	14.51	33	Pass
16QAM	18607	1850.7	3	2	21.78	-7	14.78	33	Pass
			3	3	21.80	-7	14.80	33	Pass
			6	0	20.68	-7	13.68	33	Pass
			1	0	20.99	-7	13.99	33	Pass
			1	3	21.09	-7	14.09	33	Pass
			1	5	21.01	-7	14.01	33	Pass
	18900	1880	3	0	20.81	-7	13.81	33	Pass
			3	2	20.82	-7	13.82	33	Pass
			3	3	20.82	-7	13.82	33	Pass
			6	0	19.61	-7	12.61	33	Pass
			1	0	21.04	-7	14.04	33	Pass
			1	3	21.39	-7	14.39	33	Pass
	19193	1909.3	1	5	21.30	-7	14.30	33	Pass
			3	0	20.30	-7	13.30	33	Pass
			3	2	20.31	-7	13.31	33	Pass
			3	3	20.32	-7	13.32	33	Pass
			6	0	19.76	-7	12.76	33	Pass
			1	0	20.67	-7	13.67	33	Pass
19193	1909.3	1	3	20.73	-7	13.73	33	Pass	
		1	5	21.02	-7	14.02	33	Pass	
		3	0	20.33	-7	13.33	33	Pass	
		3	2	20.48	-7	13.48	33	Pass	
		3	3	20.49	-7	13.49	33	Pass	
		6	0	20.04	-7	13.04	33	Pass	

LTE Band 2(Bandwidth:3MHz)

Channel Bandwidth: 3 MHz									
Modulation	Channel	Frequency (MHz)	RB Configuration		Conducted Average Power [dBm]	Antenna Gain [dBi]	EIRP [dBm]	EIRP Limit [dBm]	Verdict
			Size	Offset					
QPSK	18615	1851.5	1	0	21.81	-7	14.81	33	Pass
			1	7	22.00	-7	15.00	33	Pass
			1	14	21.84	-7	14.84	33	Pass
			8	0	20.88	-7	13.88	33	Pass
			8	4	20.82	-7	13.82	33	Pass
			8	7	20.90	-7	13.90	33	Pass
	18900	1880	15	0	20.95	-7	13.95	33	Pass
			1	0	21.81	-7	14.81	33	Pass
			1	7	22.02	-7	15.02	33	Pass
			1	14	21.59	-7	14.59	33	Pass
			8	0	20.55	-7	13.55	33	Pass
			8	4	20.56	-7	13.56	33	Pass
	19185	1908.5	8	7	20.61	-7	13.61	33	Pass
			15	0	20.64	-7	13.64	33	Pass
			1	0	21.84	-7	14.84	33	Pass
			1	7	21.49	-7	14.49	33	Pass
			1	14	21.46	-7	14.46	33	Pass
			8	0	20.78	-7	13.78	33	Pass
16QAM	18615	1851.5	8	4	20.77	-7	13.77	33	Pass
			8	7	20.70	-7	13.70	33	Pass
			15	0	20.65	-7	13.65	33	Pass
			1	0	21.29	-7	14.29	33	Pass
			1	7	21.06	-7	14.06	33	Pass
			1	14	20.75	-7	13.75	33	Pass
	18900	1880	8	0	20.05	-7	13.05	33	Pass
			8	4	20.06	-7	13.06	33	Pass
			8	7	19.88	-7	12.88	33	Pass
			15	0	20.02	-7	13.02	33	Pass
			1	0	20.81	-7	13.81	33	Pass
			1	7	20.63	-7	13.63	33	Pass
	19185	1908.5	1	14	20.66	-7	13.66	33	Pass
			8	0	19.55	-7	12.55	33	Pass
			8	4	19.50	-7	12.50	33	Pass
			8	7	19.52	-7	12.52	33	Pass
			15	0	19.61	-7	12.61	33	Pass
			1	0	21.13	-7	14.13	33	Pass
19185	1908.5	1	7	21.27	-7	14.27	33	Pass	
		1	14	21.15	-7	14.15	33	Pass	
		8	0	19.80	-7	12.80	33	Pass	
		8	4	19.79	-7	12.79	33	Pass	
		8	7	19.43	-7	12.43	33	Pass	
		15	0	19.60	-7	12.60	33	Pass	

LTE Band 2 (Bandwidth:5MHz)

Channel Bandwidth: 5 MHz									
Modulation	Channel	Frequency (MHz)	RB Configuration		Conducted Average Power [dBm]	Antenna Gain [dBi]	EIRP [dBm]	EIRP Limit [dBm]	Verdict
			Size	Offset					
QPSK	18625	1852.5	1	0	21.80	-7	14.80	33	Pass
			1	12	21.74	-7	14.74	33	Pass
			1	24	21.79	-7	14.79	33	Pass
			12	0	20.77	-7	13.77	33	Pass
			12	6	20.66	-7	13.66	33	Pass
			12	13	20.69	-7	13.69	33	Pass
	18900	1880	25	0	20.77	-7	13.77	33	Pass
			1	0	21.69	-7	14.69	33	Pass
			1	12	21.60	-7	14.60	33	Pass
			1	24	21.87	-7	14.87	33	Pass
			12	0	20.60	-7	13.60	33	Pass
			12	6	20.65	-7	13.65	33	Pass
	19175	1907.5	12	13	20.70	-7	13.70	33	Pass
			25	0	20.66	-7	13.66	33	Pass
			1	0	22.04	-7	15.04	33	Pass
			1	12	21.73	-7	14.73	33	Pass
			1	24	21.55	-7	14.55	33	Pass
			12	0	20.65	-7	13.65	33	Pass
16QAM	18625	1852.5	12	6	20.65	-7	13.65	33	Pass
			12	13	20.64	-7	13.64	33	Pass
			25	0	20.76	-7	13.76	33	Pass
			1	0	20.87	-7	13.87	33	Pass
			1	12	20.81	-7	13.81	33	Pass
			1	24	20.86	-7	13.86	33	Pass
	18900	1880	12	0	19.74	-7	12.74	33	Pass
			12	6	19.81	-7	12.81	33	Pass
			12	13	19.92	-7	12.92	33	Pass
			25	0	19.83	-7	12.83	33	Pass
			1	0	21.03	-7	14.03	33	Pass
			1	12	20.66	-7	13.66	33	Pass
	19175	1907.5	1	24	20.60	-7	13.60	33	Pass
			12	0	19.41	-7	12.41	33	Pass
			12	6	19.62	-7	12.62	33	Pass
			12	13	19.72	-7	12.72	33	Pass
			25	0	19.79	-7	12.79	33	Pass
			1	0	20.62	-7	13.62	33	Pass
19175	1907.5	1	12	20.19	-7	13.19	33	Pass	
		1	24	20.18	-7	13.18	33	Pass	
		12	0	19.67	-7	12.67	33	Pass	
		12	6	19.68	-7	12.68	33	Pass	
		12	13	19.66	-7	12.66	33	Pass	
		25	0	19.69	-7	12.69	33	Pass	

LTE Band 2 (Bandwidth:10MHz)

Channel Bandwidth: 10 MHz									
Modulation	Channel	Frequency (MHz)	RB Configuration		Conducted Average Power [dBm]	Antenna Gain [dBi]	EIRP [dBm]	EIRP Limit [dBm]	Verdict
			Size	Offset					
QPSK	18650	1855	1	0	21.71	-7	14.71	33	Pass
			1	24	21.54	-7	14.54	33	Pass
			1	49	21.83	-7	14.83	33	Pass
			25	0	20.77	-7	13.77	33	Pass
			25	12	20.85	-7	13.85	33	Pass
			25	25	20.79	-7	13.79	33	Pass
	18900	1880	1	0	21.62	-7	14.62	33	Pass
			1	24	21.72	-7	14.72	33	Pass
			1	49	21.63	-7	14.63	33	Pass
			25	0	20.67	-7	13.67	33	Pass
			25	12	20.67	-7	13.67	33	Pass
			25	25	20.69	-7	13.69	33	Pass
	19150	1905	1	0	21.54	-7	14.54	33	Pass
			1	24	21.66	-7	14.66	33	Pass
			1	49	21.60	-7	14.60	33	Pass
			25	0	20.75	-7	13.75	33	Pass
			25	12	20.68	-7	13.68	33	Pass
			25	25	20.78	-7	13.78	33	Pass
16QAM	18650	1855	1	0	20.49	-7	13.49	33	Pass
			1	24	20.67	-7	13.67	33	Pass
			1	49	20.68	-7	13.68	33	Pass
			25	0	19.88	-7	12.88	33	Pass
			25	12	19.76	-7	12.76	33	Pass
			25	25	19.77	-7	12.77	33	Pass
	18900	1880	50	0	19.67	-7	12.67	33	Pass
			1	0	21.16	-7	14.16	33	Pass
			1	24	20.96	-7	13.96	33	Pass
			1	49	21.39	-7	14.39	33	Pass
			25	0	19.85	-7	12.85	33	Pass
			25	12	19.76	-7	12.76	33	Pass
	19150	1905	25	25	19.70	-7	12.70	33	Pass
			50	0	19.51	-7	12.51	33	Pass
			1	0	20.80	-7	13.80	33	Pass
			1	24	20.74	-7	13.74	33	Pass
			1	49	20.71	-7	13.71	33	Pass
			25	0	19.76	-7	12.76	33	Pass
			25	12	19.67	-7	12.67	33	Pass
			25	25	19.77	-7	12.77	33	Pass
			50	0	19.57	-7	12.57	33	Pass

LTE Band 2 (Bandwidth: 15MHz)

Channel Bandwidth: 15 MHz									
Modulation	Channel	Frequency (MHz)	RB Configuration		Conducted Average Power [dBm]	Antenna Gain [dBi]	EIRP [dBm]	EIRP Limit [dBm]	Verdict
			Size	Offset					
QPSK	18675	1857.5	1	0	21.99	-7	14.99	33	Pass
			1	37	21.61	-7	14.61	33	Pass
			1	74	21.52	-7	14.52	33	Pass
			37	0	20.67	-7	13.67	33	Pass
			37	18	20.65	-7	13.65	33	Pass
			37	38	20.62	-7	13.62	33	Pass
	18900	1880	75	0	20.75	-7	13.75	33	Pass
			1	0	21.56	-7	14.56	33	Pass
			1	37	21.90	-7	14.90	33	Pass
			1	74	21.57	-7	14.57	33	Pass
			37	0	20.80	-7	13.80	33	Pass
			37	18	20.73	-7	13.73	33	Pass
	19125	1902.5	37	38	20.78	-7	13.78	33	Pass
			75	0	20.76	-7	13.76	33	Pass
			1	0	21.68	-7	14.68	33	Pass
			1	37	21.60	-7	14.60	33	Pass
			1	74	21.74	-7	14.74	33	Pass
			37	0	20.76	-7	13.76	33	Pass
16QAM	18675	1857.5	37	18	20.81	-7	13.81	33	Pass
			37	38	20.79	-7	13.79	33	Pass
			75	0	20.76	-7	13.76	33	Pass
			1	0	21.67	-7	14.67	33	Pass
			1	37	21.57	-7	14.57	33	Pass
			1	74	21.42	-7	14.42	33	Pass
	18900	1880	37	0	19.66	-7	12.66	33	Pass
			37	18	19.60	-7	12.60	33	Pass
			37	38	19.56	-7	12.56	33	Pass
			75	0	19.72	-7	12.72	33	Pass
			1	0	20.60	-7	13.60	33	Pass
			1	37	20.31	-7	13.31	33	Pass
	19125	1902.5	1	74	20.61	-7	13.61	33	Pass
			37	0	19.84	-7	12.84	33	Pass
			37	18	19.78	-7	12.78	33	Pass
			37	38	19.76	-7	12.76	33	Pass
			75	0	19.78	-7	12.78	33	Pass
			1	0	20.68	-7	13.68	33	Pass
18675	1857.5	1	37	20.72	-7	13.72	33	Pass	
		1	74	20.97	-7	13.97	33	Pass	
		37	0	19.80	-7	12.80	33	Pass	
		37	18	19.80	-7	12.80	33	Pass	
		37	38	19.82	-7	12.82	33	Pass	
		75	0	19.65	-7	12.65	33	Pass	

LTE Band 2 (Bandwidth:20MHz)

Channel Bandwidth: 20 MHz									
Modulation	Channel	Frequency (MHz)	RB Configuration		Conducted Average Power [dBm]	Antenna Gain [dBi]	EIRP [dBm]	EIRP Limit [dBm]	Verdict
			Size	Offset					
QPSK	18700	1860	1	0	23.00	-7	16.00	33	Pass
			1	49	22.65	-7	15.65	33	Pass
			1	99	22.63	-7	15.63	33	Pass
			50	0	21.79	-7	14.79	33	Pass
			50	25	21.81	-7	14.81	33	Pass
			50	50	21.91	-7	14.91	33	Pass
	18900	1880	1	0	22.47	-7	15.47	33	Pass
			1	49	22.52	-7	15.52	33	Pass
			1	99	22.84	-7	15.84	33	Pass
			50	0	21.76	-7	14.76	33	Pass
			50	25	21.66	-7	14.66	33	Pass
			50	50	21.77	-7	14.77	33	Pass
	19100	1900	100	0	21.70	-7	14.70	33	Pass
			1	0	22.52	-7	15.52	33	Pass
			1	49	22.90	-7	15.90	33	Pass
			1	99	22.51	-7	15.51	33	Pass
			50	0	21.72	-7	14.72	33	Pass
			50	25	21.72	-7	14.72	33	Pass
16QAM	18700	1860	50	50	21.68	-7	14.68	33	Pass
			100	0	21.70	-7	14.70	33	Pass
			1	0	22.09	-7	15.09	33	Pass
			1	49	21.65	-7	14.65	33	Pass
			1	99	21.64	-7	14.64	33	Pass
			50	0	20.83	-7	13.83	33	Pass
	18900	1880	50	25	20.82	-7	13.82	33	Pass
			50	50	20.94	-7	13.94	33	Pass
			1	0	21.21	-7	14.21	33	Pass
			1	49	21.68	-7	14.68	33	Pass
			1	99	21.29	-7	14.29	33	Pass
			50	0	20.84	-7	13.84	33	Pass
	19100	1900	50	25	20.82	-7	13.82	33	Pass
			50	50	20.71	-7	13.71	33	Pass
			100	0	20.72	-7	13.72	33	Pass
			1	0	21.30	-7	14.30	33	Pass
			1	49	21.65	-7	14.65	33	Pass
			1	99	21.32	-7	14.32	33	Pass
19100	1900	50	0	20.70	-7	13.70	33	Pass	
		50	25	20.72	-7	13.72	33	Pass	
		50	50	20.72	-7	13.72	33	Pass	
		100	0	20.72	-7	13.72	33	Pass	
		50	0	20.72	-7	13.72	33	Pass	
		100	0	20.72	-7	13.72	33	Pass	

LTE Band 4 (Bandwidth: 1.4MHz)

Channel Bandwidth: 1.4 MHz										
Modulation	Channel	Frequency (MHz)	RB Configuration		Conducted Average Power [dBm]	Antenna Gain [dBi]	EIRP [dBm]	EIRP Limit [dBm]	Verdict	
			Size	Offset						
QPSK	19957	1710.7	1	0	22.21	-7	15.21	30	Pass	
			1	3	22.14	-7	15.14	30	Pass	
			1	5	22.30	-7	15.30	30	Pass	
			3	0	22.55	-7	15.55	30	Pass	
			3	2	22.56	-7	15.56	30	Pass	
			3	3	22.58	-7	15.58	30	Pass	
			6	0	21.27	-7	14.27	30	Pass	
	20175	1732.5	1	0	22.65	-7	15.65	30	Pass	
			1	3	22.24	-7	15.24	30	Pass	
			1	5	22.25	-7	15.25	30	Pass	
			3	0	22.38	-7	15.38	30	Pass	
			3	2	22.35	-7	15.35	30	Pass	
			3	3	22.26	-7	15.26	30	Pass	
			6	0	21.41	-7	14.41	30	Pass	
	20393	1754.3	1	0	22.19	-7	15.19	30	Pass	
			1	3	22.05	-7	15.05	30	Pass	
			1	5	22.41	-7	15.41	30	Pass	
			3	0	22.20	-7	15.20	30	Pass	
			3	2	22.30	-7	15.30	30	Pass	
			3	3	22.29	-7	15.29	30	Pass	
			6	0	21.07	-7	14.07	30	Pass	
	16QAM	19957	1710.7	1	0	21.94	-7	14.94	30	Pass
				1	3	21.60	-7	14.60	30	Pass
				1	5	21.67	-7	14.67	30	Pass
3				0	21.37	-7	14.37	30	Pass	
3				2	21.39	-7	14.39	30	Pass	
3				3	21.41	-7	14.41	30	Pass	
6				0	20.29	-7	13.29	30	Pass	
20175		1732.5	1	0	21.27	-7	14.27	30	Pass	
			1	3	21.64	-7	14.64	30	Pass	
			1	5	21.42	-7	14.42	30	Pass	
			3	0	21.14	-7	14.14	30	Pass	
			3	2	21.10	-7	14.10	30	Pass	
			3	3	21.10	-7	14.10	30	Pass	
			6	0	20.13	-7	13.13	30	Pass	
20393		1754.3	1	0	21.06	-7	14.06	30	Pass	
			1	3	21.11	-7	14.11	30	Pass	
			1	5	21.34	-7	14.34	30	Pass	
			3	0	21.11	-7	14.11	30	Pass	
			3	2	21.28	-7	14.28	30	Pass	
			3	3	21.28	-7	14.28	30	Pass	
			6	0	19.83	-7	12.83	30	Pass	

LTE Band 4 (Bandwidth: 3MHz)

Channel Bandwidth: 3 MHz									
Modulation	Channel	Frequency (MHz)	RB Configuration		Conducted Average Power [dBm]	Antenna Gain [dBi]	EIRP [dBm]	EIRP Limit [dBm]	Verdict
			Size	Offset					
QPSK	19965	1711.5	1	0	22.17	-7	15.17	30	Pass
			1	7	22.00	-7	15.00	30	Pass
			1	14	22.08	-7	15.08	30	Pass
			8	0	21.28	-7	14.28	30	Pass
			8	4	21.15	-7	14.15	30	Pass
			8	7	21.32	-7	14.32	30	Pass
	20175	1732.5	15	0	21.24	-7	14.24	30	Pass
			1	0	22.18	-7	15.18	30	Pass
			1	7	22.54	-7	15.54	30	Pass
			1	14	22.42	-7	15.42	30	Pass
			8	0	21.30	-7	14.30	30	Pass
			8	4	21.37	-7	14.37	30	Pass
	20385	1753.5	8	7	21.28	-7	14.28	30	Pass
			15	0	21.25	-7	14.25	30	Pass
			1	0	22.14	-7	15.14	30	Pass
			1	7	22.04	-7	15.04	30	Pass
			1	14	21.84	-7	14.84	30	Pass
			8	0	21.06	-7	14.06	30	Pass
16QAM	19965	1711.5	8	4	21.06	-7	14.06	30	Pass
			8	7	21.10	-7	14.10	30	Pass
			15	0	21.17	-7	14.17	30	Pass
			1	0	20.98	-7	13.98	30	Pass
			1	7	21.21	-7	14.21	30	Pass
			1	14	21.10	-7	14.10	30	Pass
	20175	1732.5	8	0	19.91	-7	12.91	30	Pass
			8	4	20.11	-7	13.11	30	Pass
			8	7	20.37	-7	13.37	30	Pass
			15	0	19.96	-7	12.96	30	Pass
			1	0	21.53	-7	14.53	30	Pass
			1	7	21.35	-7	14.35	30	Pass
	20385	1753.5	1	14	21.63	-7	14.63	30	Pass
			8	0	20.21	-7	13.21	30	Pass
			8	4	20.21	-7	13.21	30	Pass
			8	7	20.25	-7	13.25	30	Pass
			15	0	20.08	-7	13.08	30	Pass
			1	0	21.22	-7	14.22	30	Pass
20385	1753.5	1	7	20.78	-7	13.78	30	Pass	
		1	14	21.07	-7	14.07	30	Pass	
		8	0	19.98	-7	12.98	30	Pass	
		8	4	20.22	-7	13.22	30	Pass	
		8	7	19.98	-7	12.98	30	Pass	
		15	0	20.18	-7	13.18	30	Pass	

LTE Band 4 (Bandwidth: 5MHz)

Channel Bandwidth: 5 MHz									
Modulation	Channel	Frequency (MHz)	RB Configuration		Conducted Average Power [dBm]	Antenna Gain [dBi]	EIRP [dBm]	EIRP Limit [dBm]	Verdict
			Size	Offset					
QPSK	19975	1712.5	1	0	22.03	-7	15.03	30	Pass
			1	12	22.14	-7	15.14	30	Pass
			1	24	22.07	-7	15.07	30	Pass
			12	0	21.17	-7	14.17	30	Pass
			12	6	21.13	-7	14.13	30	Pass
			12	13	21.15	-7	14.15	30	Pass
	20175	1732.5	25	0	21.21	-7	14.21	30	Pass
			1	0	22.36	-7	15.36	30	Pass
			1	12	22.26	-7	15.26	30	Pass
			1	24	22.42	-7	15.42	30	Pass
			12	0	21.23	-7	14.23	30	Pass
			12	6	21.37	-7	14.37	30	Pass
	20375	1752.5	12	13	21.33	-7	14.33	30	Pass
			12	0	21.28	-7	14.28	30	Pass
			1	0	22.04	-7	15.04	30	Pass
			1	12	22.28	-7	15.28	30	Pass
			1	24	22.25	-7	15.25	30	Pass
			12	0	21.09	-7	14.09	30	Pass
16QAM	19975	1712.5	12	6	21.10	-7	14.10	30	Pass
			12	13	21.26	-7	14.26	30	Pass
			12	0	21.12	-7	14.12	30	Pass
			1	0	21.19	-7	14.19	30	Pass
			1	12	21.01	-7	14.01	30	Pass
			1	24	21.02	-7	14.02	30	Pass
	20175	1732.5	12	0	20.29	-7	13.29	30	Pass
			12	6	20.08	-7	13.08	30	Pass
			12	13	20.21	-7	13.21	30	Pass
			25	0	19.95	-7	12.95	30	Pass
			1	0	21.35	-7	14.35	30	Pass
			1	12	21.26	-7	14.26	30	Pass
	20375	1752.5	1	24	21.38	-7	14.38	30	Pass
			12	0	20.12	-7	13.12	30	Pass
			12	6	20.18	-7	13.18	30	Pass
			12	13	20.14	-7	13.14	30	Pass
			25	0	20.31	-7	13.31	30	Pass
			1	0	20.66	-7	13.66	30	Pass
19975	1712.5	1	12	20.89	-7	13.89	30	Pass	
		1	24	21.28	-7	14.28	30	Pass	
		12	0	20.08	-7	13.08	30	Pass	
		12	6	20.09	-7	13.09	30	Pass	
		12	13	20.14	-7	13.14	30	Pass	
		25	0	20.12	-7	13.12	30	Pass	

LTE Band 4 (Bandwidth: 10MHz)

Channel Bandwidth: 10 MHz									
Modulation	Channel	Frequency (MHz)	RB Configuration		Conducted Average Power [dBm]	Antenna Gain [dBi]	EIRP [dBm]	EIRP Limit [dBm]	Verdict
			Size	Offset					
QPSK	20000	1715	1	0	22.25	-7	15.25	30	Pass
			1	24	21.93	-7	14.93	30	Pass
			1	49	22.37	-7	15.37	30	Pass
			25	0	21.23	-7	14.23	30	Pass
			25	12	21.18	-7	14.18	30	Pass
			25	25	21.15	-7	14.15	30	Pass
	20175	1732.5	1	0	22.31	-7	15.31	30	Pass
			1	24	22.39	-7	15.39	30	Pass
			1	49	22.20	-7	15.20	30	Pass
			25	0	21.23	-7	14.23	30	Pass
			25	12	21.29	-7	14.29	30	Pass
			25	25	21.22	-7	14.22	30	Pass
	20350	1775	1	0	21.25	-7	14.25	30	Pass
			1	24	22.14	-7	15.14	30	Pass
			1	49	21.92	-7	14.92	30	Pass
			1	49	22.11	-7	15.11	30	Pass
			25	0	20.98	-7	13.98	30	Pass
			25	12	21.14	-7	14.14	30	Pass
16QAM	20350	1715	25	25	21.24	-7	14.24	30	Pass
			50	0	21.15	-7	14.15	30	Pass
			1	0	21.17	-7	14.17	30	Pass
			1	24	21.19	-7	14.19	30	Pass
			1	49	21.16	-7	14.16	30	Pass
			25	0	20.14	-7	13.14	30	Pass
	20175	1732.5	25	12	20.21	-7	13.21	30	Pass
			25	25	20.17	-7	13.17	30	Pass
			50	0	20.03	-7	13.03	30	Pass
			1	0	21.84	-7	14.84	30	Pass
			1	24	21.95	-7	14.95	30	Pass
			1	49	21.78	-7	14.78	30	Pass
	20350	1750	25	0	20.23	-7	13.23	30	Pass
			25	12	20.24	-7	13.24	30	Pass
			25	25	20.22	-7	13.22	30	Pass
			50	0	20.25	-7	13.25	30	Pass
			1	0	21.10	-7	14.10	30	Pass
			1	24	21.22	-7	14.22	30	Pass
20350	1750	1	49	21.17	-7	14.17	30	Pass	
		25	0	20.00	-7	13.00	30	Pass	
		25	12	20.20	-7	13.20	30	Pass	
		25	25	20.07	-7	13.07	30	Pass	
		50	0	20.13	-7	13.13	30	Pass	

LTE Band 4 (Bandwidth: 15MHz)

Channel Bandwidth: 15 MHz									
Modulation	Channel	Frequency (MHz)	RB Configuration		Conducted Average Power [dBm]	Antenna Gain [dBi]	EIRP [dBm]	EIRP Limit [dBm]	Verdict
			Size	Offset					
QPSK	20025	1717.5	1	0	21.95	-7	14.95	30	Pass
			1	37	21.98	-7	14.98	30	Pass
			1	74	21.89	-7	14.89	30	Pass
			37	0	21.31	-7	14.31	30	Pass
			37	18	21.41	-7	14.41	30	Pass
			37	38	21.20	-7	14.20	30	Pass
	20175	1732.5	75	0	21.22	-7	14.22	30	Pass
			1	0	22.27	-7	15.27	30	Pass
			1	37	22.24	-7	15.24	30	Pass
			1	74	22.35	-7	15.35	30	Pass
			37	0	21.85	-7	14.85	30	Pass
			37	18	22.28	-7	15.28	30	Pass
	20325	1747.5	37	38	22.20	-7	15.20	30	Pass
			75	0	21.32	-7	14.32	30	Pass
			1	0	22.00	-7	15.00	30	Pass
			1	37	22.17	-7	15.17	30	Pass
			1	74	22.26	-7	15.26	30	Pass
			37	0	21.11	-7	14.11	30	Pass
16QAM	20025	1717.5	37	18	21.70	-7	14.70	30	Pass
			37	38	21.23	-7	14.23	30	Pass
			75	0	21.17	-7	14.17	30	Pass
			1	0	20.93	-7	13.93	30	Pass
			1	37	21.32	-7	14.32	30	Pass
			1	74	21.02	-7	14.02	30	Pass
	20175	1732.5	37	0	21.29	-7	14.29	30	Pass
			37	18	21.39	-7	14.39	30	Pass
			37	38	21.26	-7	14.26	30	Pass
			75	0	20.23	-7	13.23	30	Pass
			1	0	22.01	-7	15.01	30	Pass
			1	37	22.27	-7	15.27	30	Pass
	20325	1747.5	1	74	21.82	-7	14.82	30	Pass
			37	0	21.58	-7	14.58	30	Pass
			37	18	22.19	-7	15.19	30	Pass
			37	38	21.53	-7	14.53	30	Pass
			75	0	20.35	-7	13.35	30	Pass
			1	0	21.42	-7	14.42	30	Pass
			1	37	21.13	-7	14.13	30	Pass
			1	74	21.22	-7	14.22	30	Pass
			37	0	21.11	-7	14.11	30	Pass
			37	18	21.37	-7	14.37	30	Pass
			37	38	21.23	-7	14.23	30	Pass
			75	0	20.13	-7	13.13	30	Pass

LTE Band 4 (Bandwidth: 20MHz)

Channel Bandwidth: 20 MHz									
Modulation	Channel	Frequency (MHz)	RB Configuration		Conducted Average Power [dBm]	Antenna Gain [dBi]	EIRP [dBm]	EIRP Limit [dBm]	Verdict
			Size	Offset					
QPSK	20050	1720	1	0	22.84	-7	15.84	30	Pass
			1	49	22.26	-7	15.26	30	Pass
			1	99	22.54	-7	15.54	30	Pass
			50	0	21.14	-7	14.14	30	Pass
			50	25	21.08	-7	14.08	30	Pass
			50	50	21.39	-7	14.39	30	Pass
	20175	1732.5	1	0	22.47	-7	15.47	30	Pass
			1	49	22.31	-7	15.31	30	Pass
			1	99	22.24	-7	15.24	30	Pass
			50	0	21.27	-7	14.27	30	Pass
			50	25	21.23	-7	14.23	30	Pass
			50	50	21.28	-7	14.28	30	Pass
	20300	1745	1	0	22.60	-7	15.60	30	Pass
			1	49	22.37	-7	15.37	30	Pass
			1	99	22.13	-7	15.13	30	Pass
			50	0	21.32	-7	14.32	30	Pass
			50	25	21.47	-7	14.47	30	Pass
			50	50	21.50	-7	14.50	30	Pass
16QAM	20050	1720	1	0	22.16	-7	15.16	30	Pass
			1	49	21.41	-7	14.41	30	Pass
			1	99	22.01	-7	15.01	30	Pass
			50	0	20.12	-7	13.12	30	Pass
			50	25	20.06	-7	13.06	30	Pass
			50	50	20.29	-7	13.29	30	Pass
	20175	1732.5	1	0	21.39	-7	14.39	30	Pass
			1	49	21.20	-7	14.20	30	Pass
			1	99	20.94	-7	13.94	30	Pass
			50	0	20.34	-7	13.34	30	Pass
			50	25	20.34	-7	13.34	30	Pass
			50	50	20.17	-7	13.17	30	Pass
	20300	1745	1	0	21.53	-7	14.53	30	Pass
			1	49	21.49	-7	14.49	30	Pass
			1	99	21.40	-7	14.40	30	Pass
			50	0	20.42	-7	13.42	30	Pass
			50	25	20.20	-7	13.20	30	Pass
			50	50	20.48	-7	13.48	30	Pass
			100	0	20.16	-7	13.16	30	Pass

LTE Band 5(Bandwidth: 1.4MHz)

Channel Bandwidth: 1.4 MHz									
Modulation	Channel	Frequency (MHz)	RB Configuration		Conducted Average Power [dBm]	Antenna Gain [dBi]	ERP [dBm]	ERP Limit [dBm]	Verdict
			Size	Offset					
QPSK	20407	824.7	1	0	21.97	-8	11.82	38.5	Pass
			1	3	22.08	-8	11.93	38.5	Pass
			1	5	22.29	-8	12.14	38.5	Pass
			3	0	22.02	-8	11.87	38.5	Pass
			3	2	22.13	-8	11.98	38.5	Pass
			3	3	22.29	-8	12.14	38.5	Pass
	20525	836.5	6	0	21.18	-8	11.03	38.5	Pass
			1	0	22.32	-8	12.17	38.5	Pass
			1	3	22.28	-8	12.13	38.5	Pass
			1	5	22.03	-8	11.88	38.5	Pass
			3	0	22.52	-8	12.37	38.5	Pass
			3	2	22.12	-8	11.97	38.5	Pass
	20643	848.3	3	3	22.49	-8	12.34	38.5	Pass
			6	0	21.20	-8	11.05	38.5	Pass
			1	0	21.94	-8	11.79	38.5	Pass
			1	3	21.82	-8	11.67	38.5	Pass
			1	5	21.86	-8	11.71	38.5	Pass
			3	0	21.95	-8	11.80	38.5	Pass
16QAM	20407	824.7	3	2	22.01	-8	11.86	38.5	Pass
			3	3	22.06	-8	11.91	38.5	Pass
			6	0	21.10	-8	10.95	38.5	Pass
			1	0	21.00	-8	10.85	38.5	Pass
			1	3	21.09	-8	10.94	38.5	Pass
			1	5	20.97	-8	10.82	38.5	Pass
	20525	836.5	3	0	21.27	-8	11.12	38.5	Pass
			3	2	21.30	-8	11.15	38.5	Pass
			3	3	21.04	-8	10.89	38.5	Pass
			6	0	19.90	-8	9.75	38.5	Pass
			1	0	21.66	-8	11.51	38.5	Pass
			1	3	21.56	-8	11.41	38.5	Pass
	20643	848.3	1	5	21.40	-8	11.25	38.5	Pass
			3	0	21.28	-8	11.13	38.5	Pass
			3	2	21.36	-8	11.21	38.5	Pass
			3	3	21.34	-8	11.19	38.5	Pass
			6	0	20.26	-8	10.11	38.5	Pass
			1	0	21.50	-8	11.35	38.5	Pass
20407	824.7	1	3	21.08	-8	10.93	38.5	Pass	
		1	5	20.62	-8	10.47	38.5	Pass	
		3	0	20.81	-8	10.66	38.5	Pass	
		3	2	20.67	-8	10.52	38.5	Pass	
		3	3	20.88	-8	10.73	38.5	Pass	
		6	0	20.34	-8	10.19	38.5	Pass	

LTE Band 5(Bandwidth: 3MHz)

Channel Bandwidth: 3 MHz									
Modulation	Channel	Frequency (MHz)	RB Configuration		Conducted Average Power [dBm]	Antenna Gain [dBi]	ERP [dBm]	ERP Limit [dBm]	Verdict
			Size	Offset					
QPSK	20415	825.5	1	0	21.99	-8	11.84	38.5	Pass
			1	7	21.99	-8	11.84	38.5	Pass
			1	14	22.32	-8	12.17	38.5	Pass
			8	0	21.17	-8	11.02	38.5	Pass
			8	4	21.27	-8	11.12	38.5	Pass
			8	7	21.18	-8	11.03	38.5	Pass
	20525	836.5	15	0	21.26	-8	11.11	38.5	Pass
			1	0	22.13	-8	11.98	38.5	Pass
			1	7	22.12	-8	11.97	38.5	Pass
			1	14	22.37	-8	12.22	38.5	Pass
			8	0	21.19	-8	11.04	38.5	Pass
			8	4	21.14	-8	10.99	38.5	Pass
	20635	847.5	8	7	21.24	-8	11.09	38.5	Pass
			15	0	21.15	-8	11.00	38.5	Pass
			1	0	22.11	-8	11.96	38.5	Pass
			1	7	21.91	-8	11.76	38.5	Pass
			1	14	22.07	-8	11.92	38.5	Pass
			8	0	21.12	-8	10.97	38.5	Pass
16QAM	20415	825.5	8	4	21.11	-8	10.96	38.5	Pass
			8	7	21.10	-8	10.95	38.5	Pass
			15	0	21.08	-8	10.93	38.5	Pass
			1	0	21.09	-8	10.94	38.5	Pass
			1	7	21.05	-8	10.90	38.5	Pass
			1	14	21.26	-8	11.11	38.5	Pass
	20525	836.5	8	0	20.40	-8	10.25	38.5	Pass
			8	4	20.00	-8	9.85	38.5	Pass
			8	7	19.98	-8	9.83	38.5	Pass
			15	0	20.09	-8	9.94	38.5	Pass
			1	0	21.87	-8	11.72	38.5	Pass
			1	7	21.48	-8	11.33	38.5	Pass
	20635	847.5	1	14	21.64	-8	11.49	38.5	Pass
			8	0	20.17	-8	10.02	38.5	Pass
			8	4	19.98	-8	9.83	38.5	Pass
			8	7	20.47	-8	10.32	38.5	Pass
			15	0	20.00	-8	9.85	38.5	Pass
			1	0	21.18	-8	11.03	38.5	Pass
20635	847.5	1	7	21.22	-8	11.07	38.5	Pass	
		1	14	20.82	-8	10.67	38.5	Pass	
		8	0	20.25	-8	10.10	38.5	Pass	
		8	4	19.87	-8	9.72	38.5	Pass	
		8	7	20.06	-8	9.91	38.5	Pass	
		15	0	19.95	-8	9.80	38.5	Pass	

LTE Band 5(Bandwidth: 5MHz)

Channel Bandwidth: 5 MHz									
Modulation	Channel	Frequency (MHz)	RB Configuration		Conducted Average Power [dBm]	Antenna Gain [dBi]	ERP [dBm]	ERP Limit [dBm]	Verdict
			Size	Offset					
QPSK	20425	826.5	1	0	22.10	-8	11.95	38.5	Pass
			1	12	22.11	-8	11.96	38.5	Pass
			1	24	22.23	-8	12.08	38.5	Pass
			12	0	21.15	-8	11.00	38.5	Pass
			12	6	21.08	-8	10.93	38.5	Pass
			12	13	21.10	-8	10.95	38.5	Pass
	20525	836.5	1	0	22.08	-8	11.93	38.5	Pass
			1	12	22.08	-8	11.93	38.5	Pass
			1	24	22.04	-8	11.89	38.5	Pass
			12	0	21.20	-8	11.05	38.5	Pass
			12	6	21.07	-8	10.92	38.5	Pass
			12	13	21.14	-8	10.99	38.5	Pass
	20625	846.5	1	0	22.03	-8	11.88	38.5	Pass
			1	12	21.97	-8	11.82	38.5	Pass
			1	24	22.21	-8	12.06	38.5	Pass
			12	0	21.12	-8	10.97	38.5	Pass
			12	6	21.02	-8	10.87	38.5	Pass
			12	13	21.02	-8	10.87	38.5	Pass
16QAM	20425	826.5	1	0	21.20	-8	11.05	38.5	Pass
			1	12	21.07	-8	10.92	38.5	Pass
			1	24	21.03	-8	10.88	38.5	Pass
			12	0	20.24	-8	10.09	38.5	Pass
			12	6	20.27	-8	10.12	38.5	Pass
			12	13	20.18	-8	10.03	38.5	Pass
	20525	836.5	1	0	21.06	-8	10.91	38.5	Pass
			1	12	21.18	-8	11.03	38.5	Pass
			1	24	21.11	-8	10.96	38.5	Pass
			12	0	19.94	-8	9.79	38.5	Pass
			12	6	20.04	-8	9.89	38.5	Pass
			12	13	20.04	-8	9.89	38.5	Pass
	20625	846.5	1	0	20.96	-8	10.81	38.5	Pass
			1	12	20.71	-8	10.56	38.5	Pass
			1	24	20.80	-8	10.65	38.5	Pass
			12	0	20.13	-8	9.98	38.5	Pass
			12	6	20.15	-8	10.00	38.5	Pass
			12	13	19.94	-8	9.79	38.5	Pass
			25	0	20.08	-8	9.93	38.5	Pass

LTE Band 12(Bandwidth: 1.4MHz)

Channel Bandwidth: 1.4 MHz									
Modulation	Channel	Frequency (MHz)	RB Configuration		Conducted Average Power [dBm]	Antenna Gain [dBi]	ERP [dBm]	ERP Limit [dBm]	Verdict
			Size	Offset					
QPSK	23017	699.7	1	0	21.95	-12	7.80	34.77	Pass
			1	3	22.36	-12	8.21	34.77	Pass
			1	5	22.11	-12	7.96	34.77	Pass
			3	0	22.01	-12	7.86	34.77	Pass
			3	2	22.24	-12	8.09	34.77	Pass
			3	3	22.19	-12	8.04	34.77	Pass
	23095	707.5	1	0	22.55	-12	8.40	34.77	Pass
			1	3	22.29	-12	8.14	34.77	Pass
			1	5	22.40	-12	8.25	34.77	Pass
			3	0	22.42	-12	8.27	34.77	Pass
			3	2	22.50	-12	8.35	34.77	Pass
			3	3	22.43	-12	8.28	34.77	Pass
	23173	715.3	1	0	21.31	-12	7.16	34.77	Pass
			1	3	22.38	-12	8.23	34.77	Pass
			1	5	22.33	-12	8.18	34.77	Pass
			3	0	22.36	-12	8.21	34.77	Pass
			3	2	22.34	-12	8.19	34.77	Pass
			3	3	22.29	-12	8.14	34.77	Pass
16QAM	23017	699.7	1	0	21.24	-12	7.09	34.77	Pass
			1	3	21.36	-12	7.21	34.77	Pass
			1	5	21.42	-12	7.27	34.77	Pass
			3	0	21.01	-12	6.86	34.77	Pass
			3	2	21.23	-12	7.08	34.77	Pass
			3	3	21.20	-12	7.05	34.77	Pass
	23095	707.5	1	0	21.60	-12	7.45	34.77	Pass
			1	3	21.60	-12	7.45	34.77	Pass
			1	5	20.20	-12	6.05	34.77	Pass
			3	0	21.88	-12	7.73	34.77	Pass
			3	2	21.84	-12	7.69	34.77	Pass
			3	3	21.84	-12	7.75	34.77	Pass
	23173	715.3	1	0	21.33	-12	7.18	34.77	Pass
			1	3	21.90	-12	7.75	34.77	Pass
			1	5	21.33	-12	7.18	34.77	Pass
			3	0	21.34	-12	7.19	34.77	Pass
			3	2	21.34	-12	7.19	34.77	Pass
			3	3	21.34	-12	7.19	34.77	Pass
23017	699.7	1	0	20.27	-12	6.12	34.77	Pass	
		1	3	21.63	-12	7.48	34.77	Pass	
		1	5	21.37	-12	7.22	34.77	Pass	
		3	0	21.64	-12	7.49	34.77	Pass	
		3	2	21.03	-12	6.88	34.77	Pass	
		3	3	21.06	-12	6.91	34.77	Pass	
23095	707.5	1	0	21.14	-12	6.99	34.77	Pass	
		1	3	21.14	-12	6.99	34.77	Pass	
		1	5	20.26	-12	6.11	34.77	Pass	
		3	0	20.26	-12	6.11	34.77	Pass	
		3	2	20.26	-12	6.11	34.77	Pass	
		3	3	20.26	-12	6.11	34.77	Pass	

LTE Band 12(Bandwidth: 3MHz)

Channel Bandwidth: 3 MHz									
Modulation	Channel	Frequency (MHz)	RB Configuration		Conducted Average Power [dBm]	Antenna Gain [dBi]	ERP [dBm]	ERP Limit [dBm]	Verdict
			Size	Offset					
QPSK	23025	700.5	1	0	22.28	-12	8.13	34.77	Pass
			1	7	22.35	-12	8.20	34.77	Pass
			1	14	22.05	-12	7.90	34.77	Pass
			8	0	21.27	-12	7.12	34.77	Pass
			8	4	21.18	-12	7.03	34.77	Pass
			8	7	21.28	-12	7.13	34.77	Pass
	23095	707.5	15	0	21.25	-12	7.10	34.77	Pass
			1	0	22.27	-12	8.12	34.77	Pass
			1	7	22.36	-12	8.21	34.77	Pass
			1	14	22.33	-12	8.18	34.77	Pass
			8	0	21.31	-12	7.16	34.77	Pass
			8	4	21.30	-12	7.15	34.77	Pass
	23165	714.5	8	7	21.24	-12	7.09	34.77	Pass
			15	0	21.15	-12	7.00	34.77	Pass
			1	0	22.18	-12	8.03	34.77	Pass
			1	7	21.96	-12	7.81	34.77	Pass
			1	14	22.19	-12	8.04	34.77	Pass
			8	0	21.27	-12	7.12	34.77	Pass
16QAM	23025	700.5	8	4	21.15	-12	7.00	34.77	Pass
			8	7	21.27	-12	7.12	34.77	Pass
			8	7	21.27	-12	7.12	34.77	Pass
			15	0	21.23	-12	7.08	34.77	Pass
			1	0	20.99	-12	6.84	34.77	Pass
			1	7	20.86	-12	6.71	34.77	Pass
	23095	707.5	1	14	21.08	-12	6.93	34.77	Pass
			8	0	20.31	-12	6.16	34.77	Pass
			8	4	20.31	-12	6.16	34.77	Pass
			8	7	20.32	-12	6.17	34.77	Pass
			15	0	20.14	-12	5.99	34.77	Pass
			1	0	21.59	-12	7.44	34.77	Pass
	23165	714.5	1	7	21.66	-12	7.51	34.77	Pass
			1	14	22.04	-12	7.89	34.77	Pass
			8	0	20.15	-12	6.00	34.77	Pass
			8	4	20.15	-12	6.00	34.77	Pass
			8	7	20.17	-12	6.02	34.77	Pass
			15	0	20.02	-12	5.87	34.77	Pass
23165	714.5	1	0	21.07	-12	6.92	34.77	Pass	
		1	7	21.30	-12	7.15	34.77	Pass	
		1	14	21.22	-12	7.07	34.77	Pass	
		8	0	20.26	-12	6.11	34.77	Pass	
		8	4	20.30	-12	6.15	34.77	Pass	
		8	7	20.14	-12	5.99	34.77	Pass	
			15	0	20.21	-12	6.06	34.77	Pass

LTE Band 12(Bandwidth: 5MHz)

Channel Bandwidth: 5 MHz											
Modulation	Channel	Frequency (MHz)	RB Configuration		Conducted Average Power [dBm]	Antenna Gain [dBi]	ERP [dBm]	ERP Limit [dBm]	Verdict		
			Size	Offset							
QPSK	23035	701.5	1	0	22.22	-12	8.07	34.77	Pass		
			1	12	22.24	-12	8.09	34.77	Pass		
			1	24	22.11	-12	7.96	34.77	Pass		
			12	0	21.21	-12	7.06	34.77	Pass		
			12	6	21.21	-12	7.06	34.77	Pass		
			12	13	21.19	-12	7.04	34.77	Pass		
	23095	707.5	707.5	1	0	22.11	-12	7.96	34.77	Pass	
				1	12	22.11	-12	7.96	34.77	Pass	
				1	24	22.10	-12	7.95	34.77	Pass	
				12	0	21.11	-12	6.96	34.77	Pass	
				12	6	21.15	-12	7.00	34.77	Pass	
				12	13	21.14	-12	6.99	34.77	Pass	
		23155	713.5	713.5	1	0	22.09	-12	7.94	34.77	Pass
					1	12	22.09	-12	7.94	34.77	Pass
					1	24	22.05	-12	7.90	34.77	Pass
					12	0	21.17	-12	7.02	34.77	Pass
					12	6	21.19	-12	7.04	34.77	Pass
					12	13	21.17	-12	7.02	34.77	Pass
	16QAM	23035	701.5	1	0	21.16	-12	7.01	34.77	Pass	
				1	12	21.16	-12	7.01	34.77	Pass	
				1	24	21.44	-12	7.29	34.77	Pass	
12				0	20.18	-12	6.03	34.77	Pass		
12				6	20.27	-12	6.12	34.77	Pass		
12				13	20.28	-12	6.13	34.77	Pass		
23095		707.5	707.5	25	0	20.17	-12	6.02	34.77	Pass	
				1	0	21.08	-12	6.93	34.77	Pass	
				1	12	21.21	-12	7.06	34.77	Pass	
				1	24	21.20	-12	7.05	34.77	Pass	
				12	0	20.09	-12	5.94	34.77	Pass	
				12	6	20.09	-12	5.94	34.77	Pass	
		23155	713.5	713.5	12	13	20.09	-12	5.94	34.77	Pass
					25	0	20.25	-12	6.10	34.77	Pass
					1	0	21.08	-12	6.93	34.77	Pass
					1	12	21.27	-12	7.12	34.77	Pass
					1	24	20.90	-12	6.75	34.77	Pass
					12	0	20.09	-12	5.94	34.77	Pass
23155		713.5	713.5	12	6	20.08	-12	5.93	34.77	Pass	
				12	13	19.97	-12	5.82	34.77	Pass	
				25	0	20.19	-12	6.04	34.77	Pass	

LTE Band 12(Bandwidth: 10MHz)

Channel Bandwidth: 10 MHz									
Modulation	Channel	Frequency (MHz)	RB Configuration		Conducted Average Power [dBm]	Antenna Gain [dBi]	ERP [dBm]	ERP Limit [dBm]	Verdict
			Size	Offset					
QPSK	23060	704	1	0	22.10	-12	7.95	34.77	Pass
			1	24	22.00	-12	7.85	34.77	Pass
			1	49	21.98	-12	7.83	34.77	Pass
			25	0	21.21	-12	7.06	34.77	Pass
			25	12	21.11	-12	6.96	34.77	Pass
			25	25	21.18	-12	7.03	34.77	Pass
	23095	707.5	1	0	22.13	-12	7.98	34.77	Pass
			1	24	22.50	-12	8.35	34.77	Pass
			1	49	22.23	-12	8.08	34.77	Pass
			25	0	21.22	-12	7.07	34.77	Pass
			25	12	21.21	-12	7.06	34.77	Pass
			25	25	21.20	-12	7.05	34.77	Pass
	23130	711	1	0	22.10	-12	7.95	34.77	Pass
			1	24	22.07	-12	7.92	34.77	Pass
			1	49	22.06	-12	7.91	34.77	Pass
			25	0	21.31	-12	7.16	34.77	Pass
			25	12	21.19	-12	7.04	34.77	Pass
			25	25	21.23	-12	7.08	34.77	Pass
16QAM	23060	704	1	0	21.15	-12	7.00	34.77	Pass
			1	24	21.04	-12	6.89	34.77	Pass
			1	49	20.87	-12	6.72	34.77	Pass
			25	0	20.23	-12	6.08	34.77	Pass
			25	12	20.15	-12	6.00	34.77	Pass
			25	25	20.13	-12	5.98	34.77	Pass
	23095	707.5	50	0	20.26	-12	6.11	34.77	Pass
			1	0	21.28	-12	7.13	34.77	Pass
			1	24	21.94	-12	7.79	34.77	Pass
			1	49	21.70	-12	7.55	34.77	Pass
			25	0	20.12	-12	5.97	34.77	Pass
			25	12	20.26	-12	6.11	34.77	Pass
	23130	711	25	25	20.25	-12	6.10	34.77	Pass
			50	0	20.18	-12	6.03	34.77	Pass
			1	0	21.06	-12	6.91	34.77	Pass
			1	24	21.59	-12	7.44	34.77	Pass
			1	49	21.07	-12	6.92	34.77	Pass
			25	0	20.24	-12	6.09	34.77	Pass
			25	12	20.27	-12	6.12	34.77	Pass
			25	25	20.05	-12	5.90	34.77	Pass
			50	0	20.22	-12	6.07	34.77	Pass

LTE Band 13(Bandwidth: 5MHz)

Channel Bandwidth: 5 MHz											
Modulation	Channel	Frequency (MHz)	RB Configuration		Conducted Average Power [dBm]	Antenna Gain [dBi]	ERP [dBm]	ERP Limit [dBm]	Verdict		
			Size	Offset							
QPSK	23205	779.5	1	0	22.27	-9	11.12	34.77	Pass		
			1	12	22.48	-9	11.33	34.77	Pass		
			1	24	22.18	-9	11.03	34.77	Pass		
			12	0	21.21	-9	10.06	34.77	Pass		
			12	6	21.22	-9	10.07	34.77	Pass		
			12	13	21.19	-9	10.04	34.77	Pass		
	23230	782	782	1	0	22.42	-9	11.27	34.77	Pass	
				1	12	22.09	-9	10.94	34.77	Pass	
				1	24	22.21	-9	11.06	34.77	Pass	
				12	0	21.29	-9	10.14	34.77	Pass	
				12	6	21.23	-9	10.08	34.77	Pass	
				12	13	21.18	-9	10.03	34.77	Pass	
		23255	784.5	784.5	25	0	21.18	-9	10.03	34.77	Pass
					1	0	22.14	-9	10.99	34.77	Pass
					1	12	22.20	-9	11.05	34.77	Pass
					1	24	21.94	-9	10.79	34.77	Pass
					12	0	21.17	-9	10.02	34.77	Pass
					12	6	21.10	-9	9.95	34.77	Pass
16QAM	23205	779.5	12	13	21.17	-9	10.02	34.77	Pass		
			25	0	21.23	-9	10.08	34.77	Pass		
			1	0	21.32	-9	10.17	34.77	Pass		
			1	12	21.07	-9	9.92	34.77	Pass		
			1	24	21.22	-9	10.07	34.77	Pass		
			12	0	20.25	-9	9.10	34.77	Pass		
	23230	782	782	12	6	20.30	-9	9.15	34.77	Pass	
				12	13	20.37	-9	9.22	34.77	Pass	
				25	0	20.22	-9	9.07	34.77	Pass	
				1	0	20.88	-9	9.73	34.77	Pass	
				1	12	21.43	-9	10.28	34.77	Pass	
				1	24	21.53	-9	10.38	34.77	Pass	
	23255	784.5	784.5	12	0	19.99	-9	8.84	34.77	Pass	
				12	6	20.07	-9	8.92	34.77	Pass	
				12	13	19.96	-9	8.81	34.77	Pass	
				25	0	20.23	-9	9.08	34.77	Pass	
				1	0	20.83	-9	9.68	34.77	Pass	
				1	12	21.32	-9	10.17	34.77	Pass	
23255	784.5	784.5	1	24	21.24	-9	10.09	34.77	Pass		
			12	0	20.13	-9	8.98	34.77	Pass		
			12	6	20.20	-9	9.05	34.77	Pass		
			12	13	20.19	-9	9.04	34.77	Pass		
			25	0	20.28	-9	11.12	34.77	Pass		

LTE Band 13(Bandwidth: 10MHz)

Channel Bandwidth: 10 MHz									
Modulation	Channel	Frequency (MHz)	RB Configuration		Conducted Average Power [dBm]	Antenna Gain [dBi]	ERP [dBm]	ERP Limit [dBm]	Verdict
			Size	Offset					
QPSK	23230	782	1	0	22.07	-9	10.92	34.77	Pass
			1	24	22.26	-9	11.11	34.77	Pass
			1	49	22.16	-9	11.01	34.77	Pass
			25	0	21.26	-9	10.11	34.77	Pass
			25	12	21.25	-9	10.10	34.77	Pass
			25	25	21.23	-9	10.08	34.77	Pass
16QAM	23230	782	50	0	21.18	-9	10.03	34.77	Pass
			1	0	21.25	-9	10.10	34.77	Pass
			1	24	20.94	-9	9.79	34.77	Pass
			1	49	21.14	-9	9.99	34.77	Pass
			25	0	20.10	-9	10.92	34.77	Pass
			25	12	20.19	-9	11.11	34.77	Pass
			25	25	20.39	-9	11.01	34.77	Pass
50	0	20.21	-9	10.11	34.77	Pass			

LTE Band 66 (Bandwidth: 3MHz)

Channel Bandwidth: 3 MHz									
Modulation	Channel	Frequency (MHz)	RB Configuration		Conducted Average Power [dBm]	Antenna Gain [dBi]	EIRP [dBm]	EIRP Limit [dBm]	Verdict
			Size	Offset					
QPSK	131987	1711.5	1	0	22.25	-7	15.25	30	Pass
			1	7	22.06	-7	15.06	30	Pass
			1	14	22.23	-7	15.23	30	Pass
			8	0	21.51	-7	14.51	30	Pass
			8	4	21.48	-7	14.48	30	Pass
			8	7	21.48	-7	14.48	30	Pass
	132322	1745	15	0	21.50	-7	14.50	30	Pass
			1	0	22.61	-7	15.61	30	Pass
			1	7	22.36	-7	15.36	30	Pass
			1	14	22.74	-7	15.74	30	Pass
			8	0	21.52	-7	14.52	30	Pass
			8	4	21.44	-7	14.44	30	Pass
	132657	1778.5	8	7	21.43	-7	14.43	30	Pass
			15	0	21.44	-7	14.44	30	Pass
			1	0	22.34	-7	15.34	30	Pass
			1	7	22.33	-7	15.33	30	Pass
			1	14	22.39	-7	15.39	30	Pass
			8	0	21.40	-7	14.40	30	Pass
16QAM	131987	1711.5	8	4	21.34	-7	14.34	30	Pass
			8	7	21.32	-7	14.32	30	Pass
			15	0	21.31	-7	14.31	30	Pass
			1	0	21.29	-7	14.29	30	Pass
			1	7	21.22	-7	14.22	30	Pass
			1	14	21.18	-7	14.18	30	Pass
	132322	1745	8	0	20.50	-7	13.50	30	Pass
			8	4	20.63	-7	13.63	30	Pass
			8	7	20.68	-7	13.68	30	Pass
			15	0	20.51	-7	13.51	30	Pass
			1	0	21.41	-7	14.41	30	Pass
			1	7	21.39	-7	14.39	30	Pass
	132657	1778.5	1	14	21.36	-7	14.36	30	Pass
			8	0	20.34	-7	13.34	30	Pass
			8	4	20.40	-7	13.40	30	Pass
			8	7	20.40	-7	13.40	30	Pass
			15	0	20.46	-7	13.46	30	Pass
			1	0	21.60	-7	14.60	30	Pass
132657	1778.5	1	7	21.56	-7	14.56	30	Pass	
		1	14	21.99	-7	14.99	30	Pass	
		8	0	20.38	-7	13.38	30	Pass	
		8	4	20.37	-7	13.37	30	Pass	
		8	7	20.27	-7	13.27	30	Pass	
		15	0	20.28	-7	13.28	30	Pass	

LTE Band 66 (Bandwidth: 5MHz)

Channel Bandwidth: 5 MHz									
Modulation	Channel	Frequency (MHz)	RB Configuration		Conducted Average Power [dBm]	Antenna Gain [dBi]	EIRP [dBm]	EIRP Limit [dBm]	Verdict
			Size	Offset					
QPSK	131997	1712.5	1	0	22.17	-7	15.17	30	Pass
			1	12	22.41	-7	15.41	30	Pass
			1	24	22.28	-7	15.28	30	Pass
			12	0	21.47	-7	14.47	30	Pass
			12	6	21.41	-7	14.41	30	Pass
			12	13	21.39	-7	14.39	30	Pass
	132322	1745	25	0	21.38	-7	14.38	30	Pass
			1	0	22.52	-7	15.52	30	Pass
			1	12	22.36	-7	15.36	30	Pass
			1	24	22.50	-7	15.50	30	Pass
			12	0	21.51	-7	14.51	30	Pass
			12	6	21.49	-7	14.49	30	Pass
	132647	1777.5	12	13	21.45	-7	14.45	30	Pass
			25	0	21.45	-7	14.45	30	Pass
			1	0	22.48	-7	15.48	30	Pass
			1	12	22.16	-7	15.16	30	Pass
			1	24	22.25	-7	15.25	30	Pass
			12	0	21.32	-7	14.32	30	Pass
16QAM	131997	1712.5	12	6	21.40	-7	14.40	30	Pass
			12	13	21.34	-7	14.34	30	Pass
			25	0	21.29	-7	14.29	30	Pass
			1	0	21.13	-7	14.13	30	Pass
			1	12	21.30	-7	14.30	30	Pass
			1	24	21.24	-7	14.24	30	Pass
	132322	1745	12	0	20.30	-7	13.30	30	Pass
			12	6	20.39	-7	13.39	30	Pass
			12	13	20.38	-7	13.38	30	Pass
			25	0	20.48	-7	13.48	30	Pass
			1	0	21.28	-7	14.28	30	Pass
			1	12	21.35	-7	14.35	30	Pass
	132647	1777.5	1	24	21.42	-7	14.42	30	Pass
			12	0	20.57	-7	13.57	30	Pass
			12	6	20.57	-7	13.57	30	Pass
			12	13	20.62	-7	13.62	30	Pass
			25	0	20.53	-7	13.53	30	Pass
			1	0	21.42	-7	14.42	30	Pass
132647	1777.5	1	12	21.42	-7	14.42	30	Pass	
		1	24	21.26	-7	14.26	30	Pass	
		12	0	20.40	-7	13.40	30	Pass	
		12	6	20.40	-7	13.40	30	Pass	
		12	13	20.38	-7	13.38	30	Pass	
		25	0	20.44	-7	13.44	30	Pass	

LTE Band 66 (Bandwidth: 10MHz)

Channel Bandwidth: 10 MHz									
Modulation	Channel	Frequency (MHz)	RB Configuration		Conducted Average Power [dBm]	Antenna Gain [dBi]	EIRP [dBm]	EIRP Limit [dBm]	Verdict
			Size	Offset					
QPSK	132022	1715	1	0	22.16	-7	15.16	30	Pass
			1	24	22.33	-7	15.33	30	Pass
			1	49	22.26	-7	15.26	30	Pass
			25	0	21.48	-7	14.48	30	Pass
			25	12	21.53	-7	14.53	30	Pass
			25	25	21.43	-7	14.43	30	Pass
	132322	1745	1	0	22.47	-7	15.47	30	Pass
			1	24	22.36	-7	15.36	30	Pass
			1	49	22.49	-7	15.49	30	Pass
			25	0	21.45	-7	14.45	30	Pass
			25	12	21.59	-7	14.59	30	Pass
			25	25	21.59	-7	14.59	30	Pass
	132622	1775	1	0	21.52	-7	14.52	30	Pass
			1	24	22.33	-7	15.33	30	Pass
			1	49	22.17	-7	15.17	30	Pass
			1	49	22.38	-7	15.38	30	Pass
			25	0	21.39	-7	14.39	30	Pass
			25	12	21.34	-7	14.34	30	Pass
16QAM	132022	1715	1	0	21.43	-7	14.43	30	Pass
			1	24	21.62	-7	14.62	30	Pass
			1	49	21.34	-7	14.34	30	Pass
			25	0	20.40	-7	13.40	30	Pass
			25	12	20.41	-7	13.41	30	Pass
			25	25	20.35	-7	13.35	30	Pass
	132322	1745	1	0	20.39	-7	13.39	30	Pass
			1	0	21.29	-7	14.29	30	Pass
			1	24	21.28	-7	14.28	30	Pass
			1	49	21.26	-7	14.26	30	Pass
			25	0	20.52	-7	13.52	30	Pass
			25	12	20.60	-7	13.60	30	Pass
	132622	1775	25	25	20.47	-7	13.47	30	Pass
			50	0	20.45	-7	13.45	30	Pass
			1	0	21.91	-7	14.91	30	Pass
			1	24	21.75	-7	14.75	30	Pass
			1	49	21.94	-7	14.94	30	Pass
			25	0	20.51	-7	13.51	30	Pass
			25	12	20.47	-7	13.47	30	Pass
			25	25	20.56	-7	13.56	30	Pass
			50	0	20.44	-7	13.44	30	Pass

LTE Band 66 (Bandwidth: 15MHz)

Channel Bandwidth: 15 MHz									
Modulation	Channel	Frequency (MHz)	RB Configuration		Conducted Average Power [dBm]	Antenna Gain [dBi]	EIRP [dBm]	EIRP Limit [dBm]	Verdict
			Size	Offset					
QPSK	132047	1717.5	1	0	22.41	-7	15.41	30	Pass
			1	37	22.24	-7	15.24	30	Pass
			1	74	22.33	-7	15.33	30	Pass
			37	0	21.45	-7	14.45	30	Pass
			37	18	21.41	-7	14.41	30	Pass
			37	38	21.46	-7	14.46	30	Pass
			75	0	21.55	-7	14.55	30	Pass
	132322	1745	1	0	22.24	-7	15.24	30	Pass
			1	37	22.44	-7	15.44	30	Pass
			1	74	22.31	-7	15.31	30	Pass
			37	0	21.57	-7	14.57	30	Pass
			37	18	21.06	-7	14.06	30	Pass
			37	38	21.52	-7	14.52	30	Pass
			75	0	21.56	-7	14.56	30	Pass
	132597	1772.5	1	0	22.22	-7	15.22	30	Pass
			1	37	22.28	-7	15.28	30	Pass
			1	74	22.38	-7	15.38	30	Pass
			37	0	21.95	-7	14.95	30	Pass
			37	18	21.52	-7	14.52	30	Pass
			37	38	22.02	-7	15.02	30	Pass
			75	0	21.38	-7	14.38	30	Pass
16QAM	132047	1717.5	1	0	21.28	-7	14.28	30	Pass
			1	37	21.48	-7	14.48	30	Pass
			1	74	21.51	-7	14.51	30	Pass
			37	0	21.37	-7	14.37	30	Pass
			37	18	21.50	-7	14.50	30	Pass
			37	38	21.41	-7	14.41	30	Pass
			75	0	20.52	-7	13.52	30	Pass
	132322	1745	1	0	21.07	-7	14.07	30	Pass
			1	37	21.52	-7	14.52	30	Pass
			1	74	21.61	-7	14.61	30	Pass
			37	0	21.51	-7	14.51	30	Pass
			37	18	21.09	-7	14.09	30	Pass
			37	38	21.49	-7	14.49	30	Pass
			75	0	20.70	-7	13.70	30	Pass
	132597	1772.5	1	0	21.94	-7	14.94	30	Pass
			1	37	21.29	-7	14.29	30	Pass
			1	74	21.96	-7	14.96	30	Pass
			37	0	22.01	-7	15.01	30	Pass
			37	18	21.53	-7	14.53	30	Pass
			37	38	21.61	-7	14.61	30	Pass
			75	0	20.46	-7	13.46	30	Pass

LTE Band 66 (Bandwidth: 20MHz)

Channel Bandwidth: 20 MHz									
Modulation	Channel	Frequency (MHz)	RB Configuration		Conducted Average Power [dBm]	Antenna Gain [dBi]	EIRP [dBm]	EIRP Limit [dBm]	Verdict
			Size	Offset					
QPSK	132072	1720	1	0	22.58	-7	15.58	30	Pass
			1	49	22.28	-7	15.28	30	Pass
			1	99	22.61	-7	15.61	30	Pass
			50	0	21.42	-7	14.42	30	Pass
			50	25	21.50	-7	14.50	30	Pass
			50	50	21.50	-7	14.50	30	Pass
			100	0	21.52	-7	14.52	30	Pass
	132322	1745	1	0	22.43	-7	15.43	30	Pass
			1	49	23.02	-7	16.02	30	Pass
			1	99	22.63	-7	15.63	30	Pass
			50	0	21.56	-7	14.56	30	Pass
			50	25	21.60	-7	14.60	30	Pass
			50	50	21.61	-7	14.61	30	Pass
			100	0	21.61	-7	14.61	30	Pass
	132572	1770	1	0	22.34	-7	15.34	30	Pass
			1	49	22.40	-7	15.40	30	Pass
			1	99	22.31	-7	15.31	30	Pass
			50	0	21.33	-7	14.33	30	Pass
			50	25	21.42	-7	14.42	30	Pass
			50	50	21.33	-7	14.33	30	Pass
			100	0	21.34	-7	14.34	30	Pass
16QAM	132072	1720	1	0	21.40	-7	14.40	30	Pass
			1	49	21.58	-7	14.58	30	Pass
			1	99	21.81	-7	14.81	30	Pass
			50	0	20.39	-7	13.39	30	Pass
			50	25	20.47	-7	13.47	30	Pass
			50	50	20.62	-7	13.62	30	Pass
			100	0	20.49	-7	13.49	30	Pass
	132322	1745	1	0	22.22	-7	15.22	30	Pass
			1	49	22.06	-7	15.06	30	Pass
			1	99	21.56	-7	14.56	30	Pass
			50	0	20.54	-7	13.54	30	Pass
			50	25	20.63	-7	13.63	30	Pass
			50	50	20.57	-7	13.57	30	Pass
			100	0	20.59	-7	13.59	30	Pass
	132572	1770	1	0	21.12	-7	14.12	30	Pass
			1	49	21.33	-7	14.33	30	Pass
			1	99	21.38	-7	14.38	30	Pass
			50	0	20.43	-7	13.43	30	Pass
			50	25	20.42	-7	13.42	30	Pass
			50	50	20.41	-7	13.41	30	Pass
			100	0	20.44	-7	13.44	30	Pass

5.2. Peak to Average Ratio

5.2.1. Test Standard

CFR 47 (FCC) part 24 subpart E, part 27

5.2.2. Test Limit

The peak-to-average ratio (PAR) of the transmission may not exceed 13 dB.

5.2.3. Test Procedure

A peak to average ratio measurement is performed at the conducted port of the EUT. For WCDMA signals, the spectrum analyzers Complementary Cumulative Distribution Function (CCDF) measurement profile is used to determine the largest deviation between the average and the peak power of the EUT in a given bandwidth. The CCDF curve shows how much time the peak waveform spends at or above a given average power level. The percent of time the signal spends at or above the level defines the probability for that particular power level. For GSM signals, an average and a peak trace are used on a spectrum analyzer to determine the largest deviation between the average and the peak power of the EUT in a bandwidth greater than the emission bandwidth. The traces are generated with the spectrum analyzer set to zero span mode. For LTE operating mode: a. The EUT was connected to spectrum and system simulator via a power divider. b. Set the CCDF (Complementary Cumulative Distribution Function) option in spectrum analyzer. c. The highest RF powers were measured and recorded the maximum PAPR level associated with a probability of 0.1%. d. Record the deviation as Peak to Average Ratio.

5.2.4. Test Data

Test Band	Test Mode	Test Channel	Measured[dB]	Limit [dB]	Verdict
GSM1900	GPRS/TM1	1850.2	0.29	<13	PASS
		1880	0.32	<13	PASS
		1909.8	0.34	<13	PASS
GSM1900	EDGE/TM2	1850.2	3.11	<13	PASS
		1880	3.14	<13	PASS
		1909.8	2.99	<13	PASS

Test Band	Test Mode	Test Channel	Measured[dB]	Limit [dB]	Verdict
WCDMA1900	UMTS/TM3	1852.4	3.01	<13	PASS
		1880	3.02	<13	PASS
		1907.6	2.88	<13	PASS