

FAQ

Q1: How can I remove a node from my WiFi network?

A1: Tap the node on the TCL WiFi App, tap in the upper-right corner, and choose Delete.

Note: Removing operation restores the node to factory settings.

Q2: Can I add another new set of node to expand my network coverage?

A2: Yes. Open TCL WiFi App, tap Settings in the lower-right corner, tap Add MS1G, and follow the on-screen instructions to add.

Q3: How to restore my network to factory settings?

A3: With your nodes powered on, hold the RST button of your primary node down using a paper clip for about 6 seconds, release when the LED indicator blinks fast. Your network is reset successfully when the LED indicator lights solid on then blinks fast again. And all nodes are restored to factory settings.

Q4: My 2.4 GHz WiFi-enabled devices, such as a home security camera, cannot connect to my TCL WiFi network. What should I do?

A4:

Step 1. Connect your smart phone used for setup to your TCL WiFi network.

Step 2. Run TCL WiFi App, tap Settings, Smart Assistant, and Enable. Your smart phone connects to the 2.4 GHz WiFi network.

Step 3. Use the smart phone to set up your 2.4 GHz WiFi-enabled device guided by its App.

Safety and use

We recommend that you read this chapter carefully before using your device. The manufacturer disclaims any liability for damage, which may result as a consequence of improper use or use contrary to the instructions contained herein.

● CONDITIONS OF USE:

Switch the device off before boarding an aircraft.

Switch the device off when you are in health care facilities, except in designated areas. As with many other types of equipment now in regular use, devices can interfere with other electrical or electronic devices, or equipment using radio frequency.

Switch the device off when you are near gas or flammable liquids. Strictly obey all signs and instructions posted in a fuel depot, petrol station, or chemical plant, or in any potentially explosive atmosphere.

When this device is switched on, it should be kept at least 20 cm from the body.

When the device is switched on, it should be kept at least 15 cm from any medical device such as a pacemaker, a hearing aid, or an insulin pump, etc..

Do not let children use the device and/or play with the device and accessories without supervision.

If your device has a removable cover, note that your device may contain substances that could create an allergic reaction.

If your device is a unibody device, the back cover is not removable. If you disassemble your device the warranty will not apply. Disassembling the device may cause leakage of substances that could create an allergic reaction.

Always handle your device with care and keep it in a clean and dust-free place.

Do not allow your device to be exposed to adverse weather or environmental conditions (moisture, humidity, rain, infiltration

of liquids, dust, sea air, etc.). The manufacturer's recommended operating temperature range is -20°C (-4°F) to +50°C (122°F).

Do not open, dismantle, or attempt to repair your device yourself.

Do not drop, throw, or bend your device.

Do not paint it.

Use only adapters and accessories which are recommended by TCL Communication Ltd. and its affiliates and are compatible with your device model. TCL Communication Ltd. and its affiliates disclaim any liability for damage caused by the use of other adapters.



This symbol on your device, and the accessories means that these products must be taken to collection points at the end of their life:

■ - Municipal waste disposal centres with specific bins for these items of equipment;

- Collection bins at points of sale.

They will then be recycled, preventing substances being disposed of in the environment, so that their components can be reused.

In European Union countries:

These collection points are accessible free of charge.

All products with this sign must be brought to these collection points.

In non-European Union jurisdictions:

Items of equipment with this symbol are not to be thrown into ordinary bins if your jurisdiction or your region has suitable recycling and collection facilities; instead they are to be taken to collection points for them to be recycled.

● Adapters:

Mains powered adapters will operate within the temperature range of: 0°C (32°F) to 40°C (104°F).

The adapters designed for your device meet the standard for safety of information technology equipment and office

equipment use. They are also compliant with the ecodesign directive 2009/125/EC. Due to different applicable electrical specifications, an adapter you purchased in one jurisdiction may not work in another jurisdiction. They should be used for this purpose only.

Radio waves

Proof of compliance with international standards (ICNIRP) or with European Directive 2014/53/EU (RED) is required of all device models before they can be put on the market. The protection of the health and safety for the user and any other person is an essential requirement of these standards or this directive.

THIS DEVICE MEETS INTERNATIONAL GUIDELINES FOR EXPOSURE TO RADIO WAVES.

Your device is a radio transmitter and receiver. It is designed not to exceed the limits for exposure to radio waves (radio frequency electromagnetic fields) recommended by international guidelines. The guidelines were developed by an independent scientific organisation (ICNIRP) and include a substantial safety margin designed to assure the safety of all persons, regardless of age and health.

The World Health Organization has stated that present scientific information does not indicate the need for any special precautions for the use of mobile devices. They recommend that if you are interested in further reducing your exposure then you can easily do so by limiting your usage or keep the device away from the head and body.

For more information, you can go to www.tcl.com/global

Additional information about electromagnetic fields and public health are available on the following site: <http://www.who.int/peh-emf>.

Your device is equipped with a built-in antenna. For optimal operation, you should avoid touching it or degrading it.

Note that any data shared with TCL Communication Ltd. is stored in accordance with applicable data protection legislation. For these purposes TCL Communication Ltd. implements and maintains appropriate technical and organisational measures to protect all personal data, for example, against unauthorised or unlawful processing and accidental loss or destruction of or damage to such personal data whereby the measures shall provide a level of security that is appropriate having regard to

- The technical possibilities available;
- The costs for implementing the measures;
- The risks involved with the processing of the personal data, and;
- The sensitivity of the personal data processed.

You can access, review, and edit your personal information at any time by logging into your user account, visiting your user profile or by contacting us directly. Should you require us to edit or delete your personal data, we may ask you to provide us with evidence of your identity before we can act on your request.

● Federal Communications Commission (FCC) Declaration of Conformity

This device complies with part 15 of the FCC Rules. Operation is subject to the following two conditions: (1) This device may not cause harmful interference, and (2) this device must accept any interference received, including interference that may cause undesired operation.

Changes or modifications not expressly approved by the party responsible for compliance could void the user's authority to operate the equipment.

This equipment has been tested and found to comply with the limits for a Class B digital device, pursuant to Part 15 of the FCC Rules. These limits are designed to provide reasonable protection against harmful interference in a residential installation. This

equipment generates uses and can radiate radio frequency energy and, if not installed and used in accordance with the instructions, may cause harmful interference to radio communications. However, there is no guarantee that interference will not occur in a particular installation.

If this equipment does cause harmful interference to radio or television reception, which can be determined by turning the equipment off and on, the user is encouraged to try to correct the interference by one or more of the following measures:

- Reorient or relocate the receiving antenna.
- Increase the separation between the equipment and receiver.
- Connect the equipment into an outlet on a circuit different from that to which the receiver is connected.
- Consult the dealer or an experienced radio/TV technician for help.

● **FCC Caution:**

Changes or modifications not expressly approved by the party responsible for compliance could void the user's authority to operate the equipment.

FCCID: 2ACCJB123

Licences

The Wi-Fi Logo is a certification mark of the Wi-Fi Alliance.

The 5150-5350 MHz band is restricted to indoor use only.

BE	BG	CZ	DK	DE	EE	IE	EL	ES
FR	HR	IT	CY	LV	NO	IS	LT	LU
HU	MT	NL	AT	PL	PT	RO	SI	SK
FI	SE	UK	LI	CH	TR			



We hereby point out that the end user warranty for infringement IPR is solely limited to the EU/EEA/Switzerland.

If and to the extent that the Product is exported, taken with, or used by end customer or end user outside the EU/EEA/Switzerland any responsibility, warranty or indemnification of manufacturer and its suppliers in regard to the Product expires (including any indemnification in regard to infringement IPR).

General information

- Internet address: www.tcl.com/global
- Hot Line Number: see "SERVICES" leaflet or go to our website.
- Manufacturer: TCL Communication Ltd.
- Address: 5/F, Building 22E, 22 Science Park East Avenue, Hong Kong Science Park, Shatin, NT, Hong Kong.

This radio equipment operates with the following frequency bands and maximum radio-frequency power:

Wi-Fi: 2.4GHz 15±2 dBm (Mode: 11b Rate:1Mbps)

Hereby, TCL Communication Ltd. declares that the radio equipment type TCL M51G is in compliance with Directive 2014/53/EU.

The full text of the EU declaration of conformity is available at the following internet address: <https://www.tcl.com/global/en/service-support-mobile/eu-doc>.



The description of accessories and components, including software, which allow the radio equipment to operate as intended, can be obtained in the full text of the EU declaration of conformity at the following internet address: <https://www.tcl.com/global/en/service-support-mobile/eu-doc>.

Disclaimer

There may be certain differences between the user manual description and the device's operation, depending on the software release of your device or specific operator services.

TCL Communication Ltd. shall not be held legally responsible for such differences, if any, nor for their potential consequences, which responsibility shall be borne by the operator exclusively. This device may contain materials, including applications and software in executable or source code form, which is submitted by third parties for inclusion in this device ("Third Party Materials"). All Third Party Materials in this device are provided "as is", without warranty of any kind, whether express or implied. The purchaser undertakes that TCL Communication Ltd. has complied with all quality obligations incumbent upon it as a manufacturer of mobile devices and devices in complying with Intellectual Property rights. TCL Communication Ltd. will at no stage be responsible for the inability or failure of the Third Party Materials to operate on this device or in interaction with any other device. To the maximum extent permitted by law, TCL Communication Ltd. disclaims all liability for any claims, demands, suits or actions, and more specifically – but not limited to – tort law actions, under any theory of liability, arising out of the use, by whatever means, or attempts to use, such Third Party Materials. Moreover, the present Third Party Materials, which are provided free of charge by TCL Communication Ltd., may be subject to paid updates and upgrades in the future; TCL Communication Ltd. waives any responsibility regarding such additional costs, which shall be borne exclusively by the purchaser. TCL Communication Ltd. shall not be held responsible for the lack of availability of any application, as its availability depends on the country and the operator of the purchaser. TCL Communication Ltd. reserves the right at any time to add or remove Third Party Materials from its devices without prior notice; in no event shall TCL Communication Ltd. be held responsible by the purchaser for any consequences of such removal.

Warranty

Your device is warranted against any defect or malfunctioning which may occur in conditions of normal use during the warranty period of twenty-four (24) months⁽¹⁾ from the date of purchase as shown on your original invoice.

Accessories sold with your device are also warranted against any defect which may occur during the first twelve (12) months(1) from the date of purchase as shown on your original invoice.

In case of any defect of your device which prevents you from normal use thereof, you must immediately inform your vendor and present your device with your proof of purchase.

If the defect is confirmed, your device or part thereof will be either replaced or repaired, as appropriate. Repaired device and accessories are entitled to a one (1) month warranty for the same defect. Repair or replacement may be carried out using reconditioned components offering equivalent functionality.

This warranty covers the cost of parts and labor but excludes any other costs.

This warranty shall not apply to defects to your device and/or accessory due to (without any limitation):

- Non-compliance with the instructions for use or installation, or with technical and safety standards applicable in the geographical area where your device is used;
- Connection to any equipment not supplied or not recommended by TCL Communication Ltd.;
- Modification or repair performed by individuals not authorised by TCL Communication Ltd. or its affiliates or your vendor;
- Modification, adjustment or alteration of software or

⁽¹⁾ The warranty period may vary depending on your country.

hardware performed by individuals not authorised by TCL Communication Ltd.;

- Inclement weather, lightning, fire, humidity, infiltration of liquids or foods, chemical products, download of files, crash, high voltage, corrosion, oxidation...

Your device will not be repaired in case labels or serial numbers have been removed or altered.

There are no express warranties, whether written, oral or implied, other than this printed limited warranty or the mandatory warranty provided by your country or jurisdiction.

In no event shall TCL Communication Ltd. or any of its affiliates be liable for indirect, incidental or consequential damages of any nature whatsoever, including but not limited to commercial or financial loss or damage, loss of data or loss of image to the full extent those damages can be disclaimed by law.

Some countries/states do not allow the exclusion or limitation of indirect, incidental or consequential damages, or limitation of the duration of implied warranties, so the preceding limitations or exclusions may not apply to you.

CONTACT CENTERS

Argentina	0800-122-0682	Malaysia	+60 0321415993
Australia	1800 824 271		+60 0321416993
Austria	+43 13602774780		+60 0342882929
Belgium	+32 26263841	Mexico	01800-890-9908
Brazil	0800 941 9811	Netherlands	+31 235684882
Canada	+1 8558446058	New Zealand	0800451708
Chile	800-000147	Paraguay	9-800-521-0103
China	4008123456	Peru	0800-00698
Colombia	1800-952-0823	Philippines	+63 24917373
Costa Rica	800-052-1692	Poland	+48 225830081
Dominican Republic	1-888-760-0164	Portugal	+351 210 608 026
Ecuador	01800010225	Romania	+40 216550711
Fiji	+679 3319955	Russia	8-800-555-48-28
France	+33 969360936	Serbia	+381 800190939
Germany	+49 6992032110	Singapore	800 492 2191
Greece	+30 2112111551	Spain	+34 913753374
Guatemala	+502 23784831	Sweden	+46 851993133
Hong Kong	+852 31802777	Switzerland	+41 225675182
Hungary	+36 14292215	Thailand	+66 027183136
India	18601808877	Turkey	+90 2123755801
Indonesia	+62 2156953488 +62 2156953489	U.K.	+44 2074580026
Ireland	+353 16590207	Uruguay	000-405-296624
Italy	+39 226415739	U.S.A	+1 8553680829
Jamaica	18667591370	Venezuela	0800-100-5368
		Vietnam	+84 18001118

MS1

Système Wi-Fi MESH pour toute la maison - MS1G
(2 boîtes)



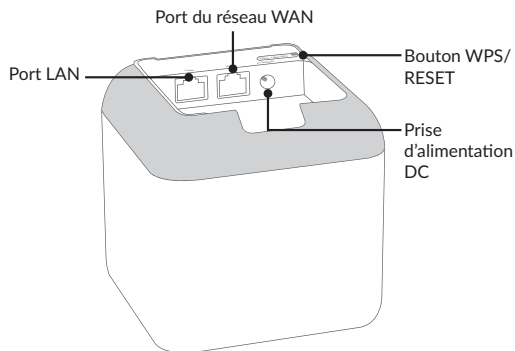
Guide d'installation rapide

TCL

Contenu de l'emballage

- MS1 x 2
- Adaptateur secteur x 2
- Câble Ethernet x 1
- Guide d'installation rapide x 1

Connaissance de votre appareil



Installer l'application TCL Wi-Fi

Télécharger l'application TCL Wi-Fi sur votre appareil mobile en recherchant TCL Wi-Fi dans App Store ou dans Google Play ou encore par scannage du code QR. Installer ensuite l'application.



Ou



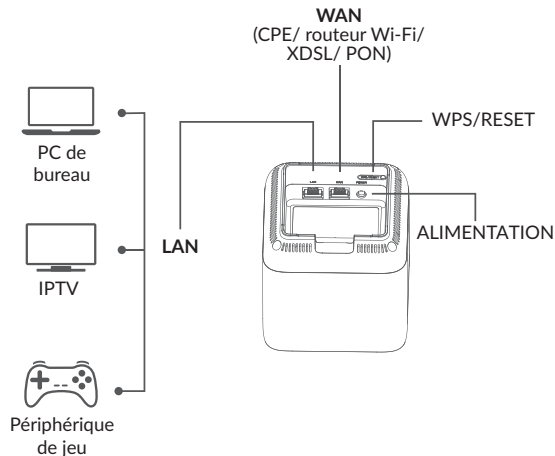
Disponible pour
iOS et Android

Connectez le nœud principal

Le premier nœud que vous configurez fonctionne en tant que nœud principal, tandis que les autres sont appelés des nœuds secondaires.

1. Utilisez le câble Ethernet fourni pour connecter un port LAN de votre modem ou la prise jack Ethernet au port WAN/LAN de n'importe quel nœud. Ce nœud est votre nœud principal.
2. Utilisez l'un des adaptateurs secteur inclus pour connecter le nœud principal à une source d'alimentation, le voyant DEL reste allumé. Attendez 40 secondes.

Le démarrage du système est terminé quand le voyant DEL vert clignote. Lors de son utilisation, placez votre MS1 en position stable.



Connectez le nœud principal à Internet

1. Accédez à la liste des réseaux WI-FI sur votre appareil mobile, sélectionnez le SSID du nœud principal et saisissez son mot de passe. Le SSID et le mot de passe sont indiqués sur l'étiquette du dessous de chaque nœud.
2. Lancez l'application TCL Wi-Fi et suivez les instructions à l'écran pour connecter le nœud principal à Internet. Une fois le nœud principal connecté à Internet, son voyant DEL passe au vert et reste fixe.

