

# MS1

Whole Home WiFi Mesh System MS1G  
(2 pack)



## Quick installation guide

CJB1RV003AAA

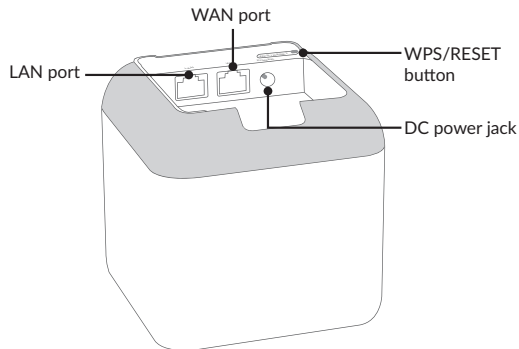
EN - 1

# TCL

## Package contents

- MS1 x2
- Power adapter x2
- Ethernet cable x1
- Quick installation guide x1

## Know your device



## Install the TCL WiFi App

Download the TCL WiFi App on your mobile device by searching for TCL WiFi in App Store or Google Play or by scanning the QR code. Then, install the App.



Or



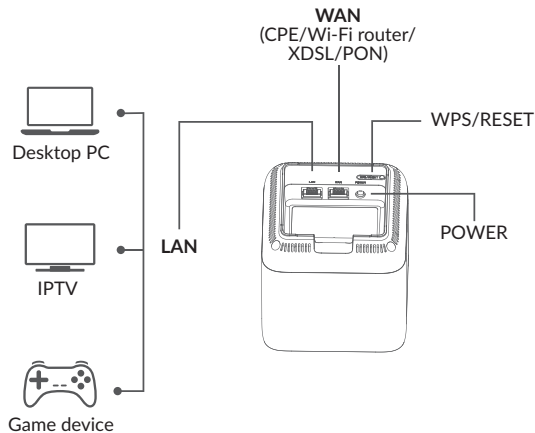
Available for iOS  
and Android

## Connect the primary node

The first node you set up functions as the primary node, while the rest are referred to as the secondary nodes.

1. Use the included Ethernet cable to connect a LAN port of your modem or the Ethernet jack to the WAN/LAN port of any node. This node is your primary node.
2. Use one of the included power adapters to connect the primary node to a power source, the LED indicator lights solid on. Wait about for 40 seconds.

The system completes startup when the LED indicator blinks green. Place your MS1 on a stable position when using it.



## Connect the primary node to the internet

1. Go to the WIFI network list on your mobile device, select the SSID of the primary node, and enter its password. The SSID and password are specified on the bottom label of any node,
2. Run the TCL WiFi App and follow the onscreen instructions to connect the primary node to the Internet. After the primary node is connected to the internet, its LED indicator lights solid green.

