

Product Type: WIRELESS ROUTER

Product Name: MW6V2.0

Common Product: N/A

Tenda For TCL

| | | |
|----------------------------------|-------------------------------|---------------|
| TENDA TECHNOLOGY Co.,Ltd. | | |
| Title | MW6V2.0 | |
| Size A3 | Document Number cover page | Rev V1.0 |
| Date: | Thursday, January 25, 2018 | Sheet 1 of 17 |

Revision History

TENDA

| Index | Rev. | Date | Editor | Comment |
|-------|------|-----------|--------|---------|
| 1 | V1.0 | 2018.1.12 | 王靖彰 | |

Tenda For TCL on

| | | |
|----------------------------------|-------------------------------------|---------------|
| TENDA TECHNOLOGY Co.,Ltd. | | |
| Title | MW6V2.0 | |
| Size A3 | Document Number Revision History | Rev V1.0 |
| Date: | Thursday, January 25, 2018 | Sheet 2 of 17 |

Schematic Description

TENDA

p.01: cover page

p.02: Revision History

p.03: Schematic Description

p.04: Block Diagram & PCB Def

p.05: power supply

p.06: ROM, RAM

p.07: 10/100M Ethernet Switch

P.08: Boot strapping and Misc

p.09: PCI-E,RGMII,USB interface

p.10: Ethernet(RTL8363RB)

p.11: Ethernet(RTL8367RB)

p.12: Transformer,RJ45,LED

p.13: RF Port1 FEM

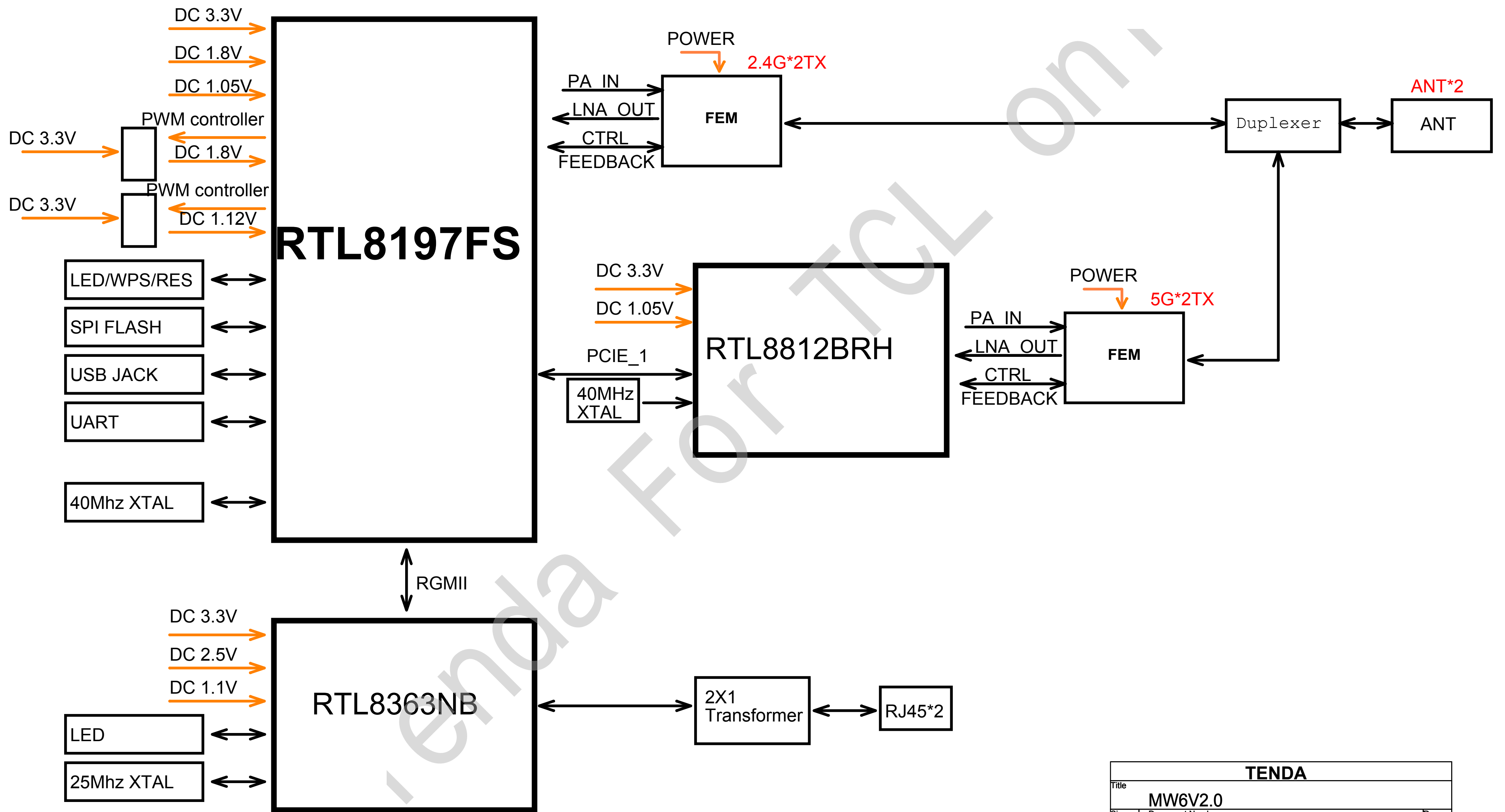
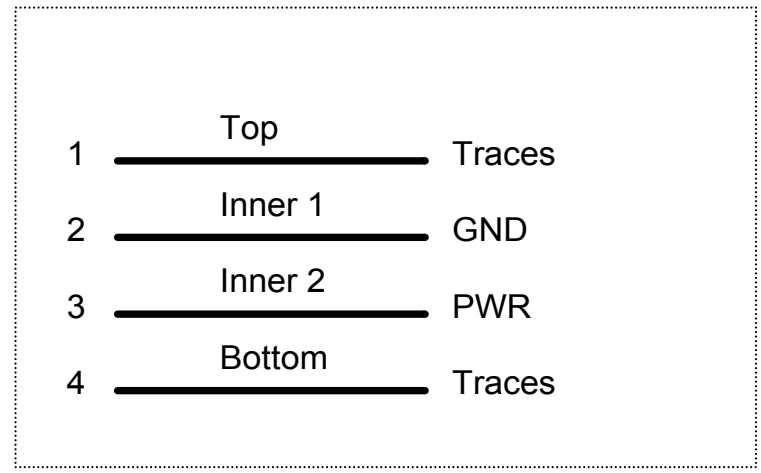
p.14: RF Port2

p.15: RF Port2 FEM

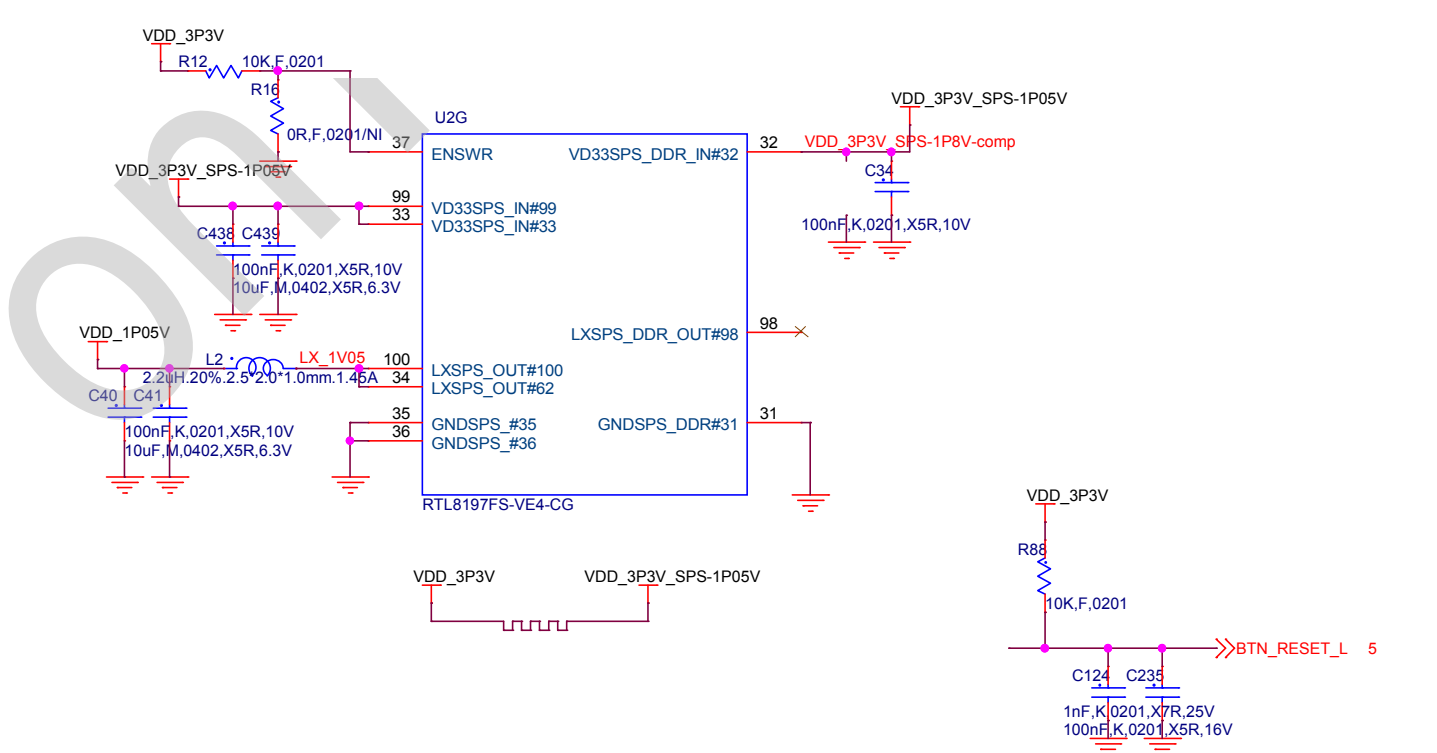
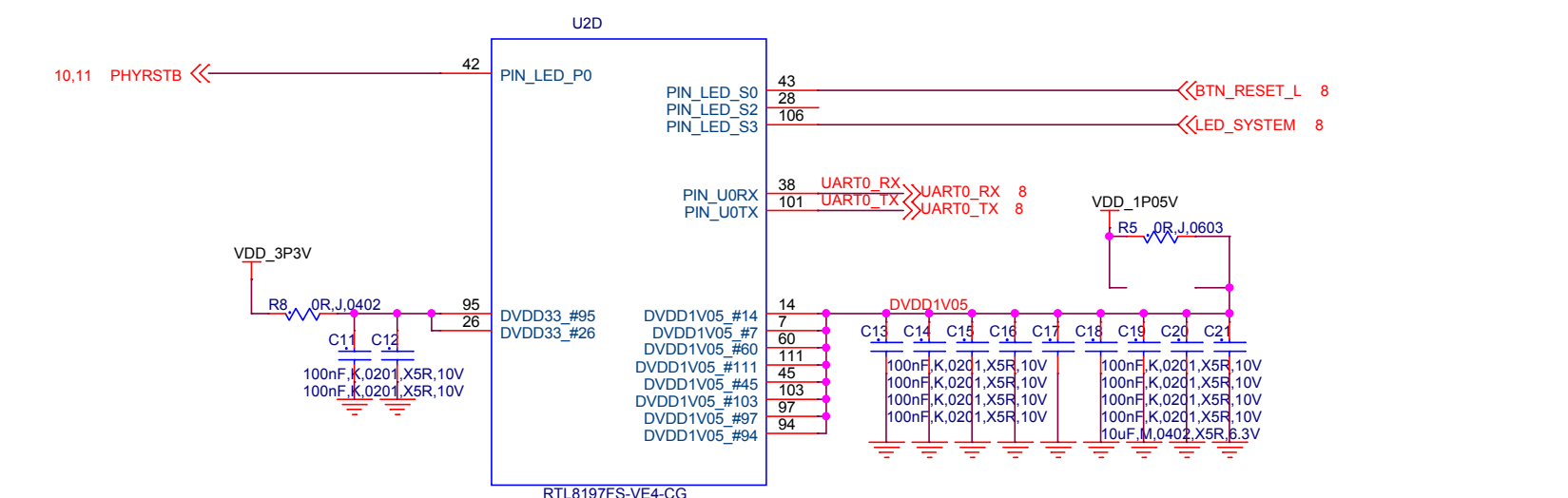
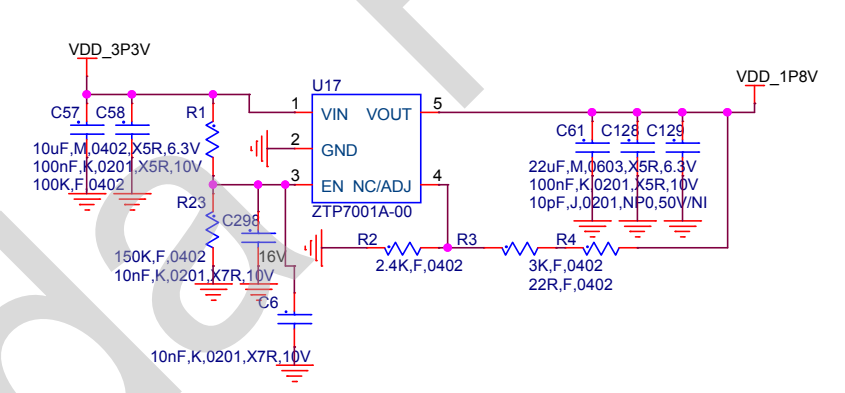
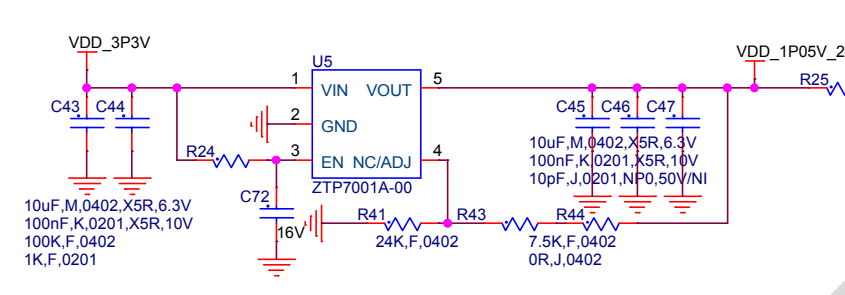
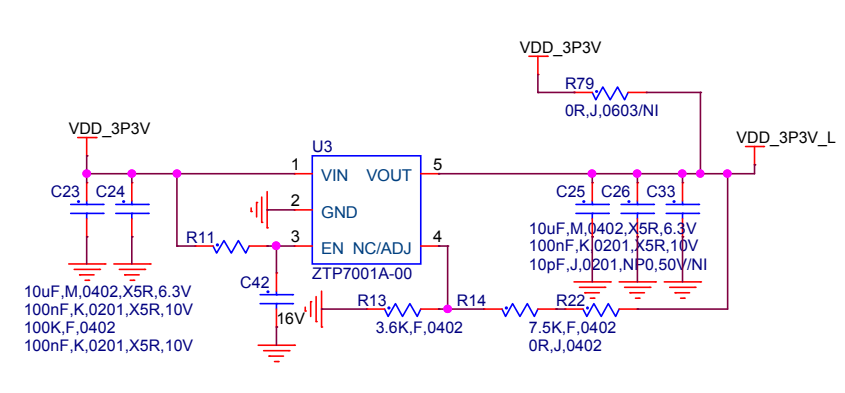
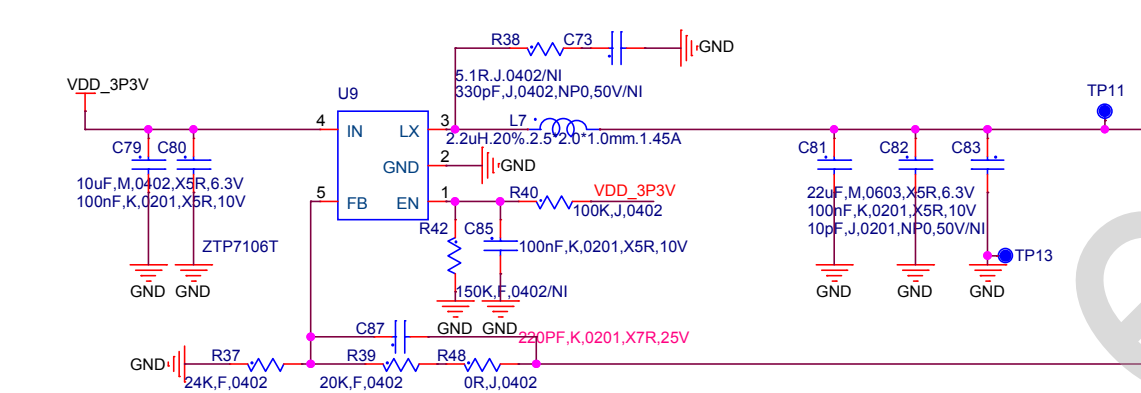
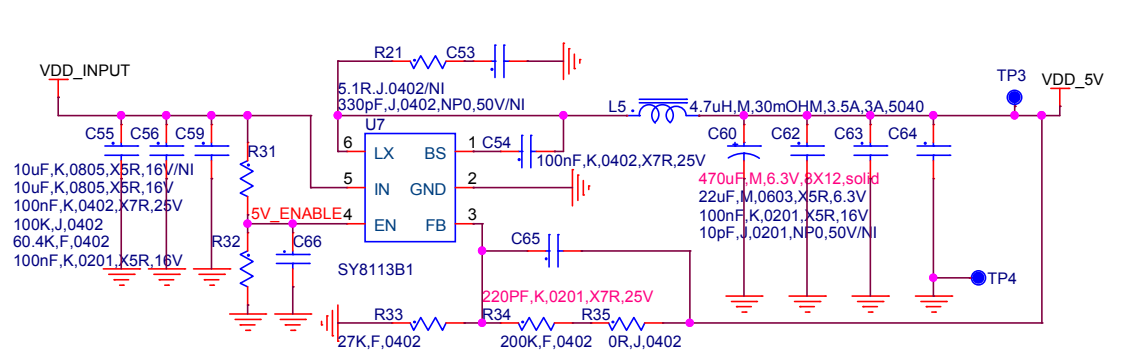
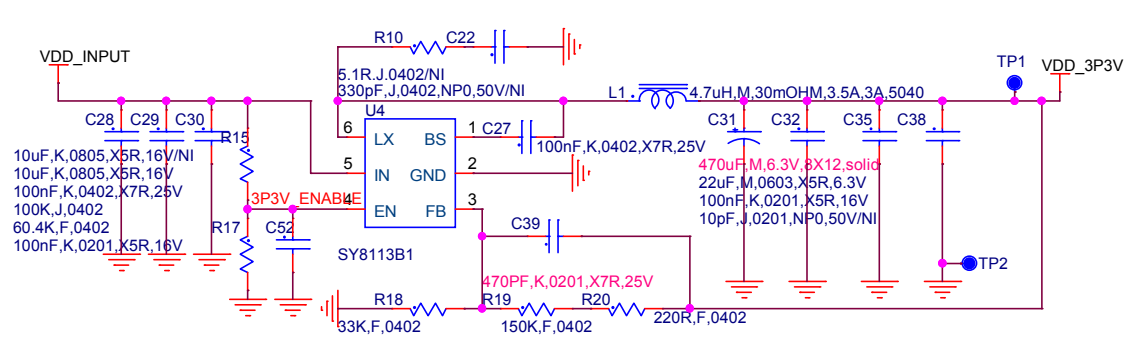
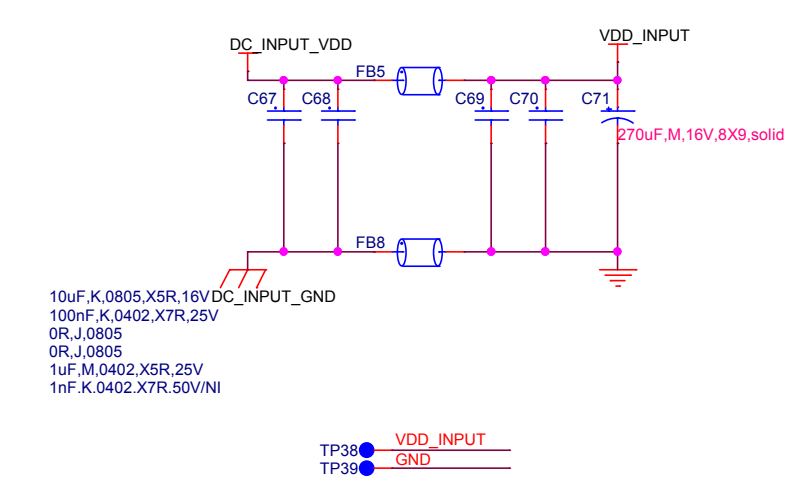
Tenda For TCL on

| | | |
|----------------------------------|-----------------------------|---------------|
| TENDA TECHNOLOGY Co.,Ltd. | | |
| Title | MW6V2.0 | |
| Size | Document Number | Rev |
| A3 | Schematic Description | V1.0 |
| Date: | Wednesday, January 24, 2018 | Sheet 3 of 17 |

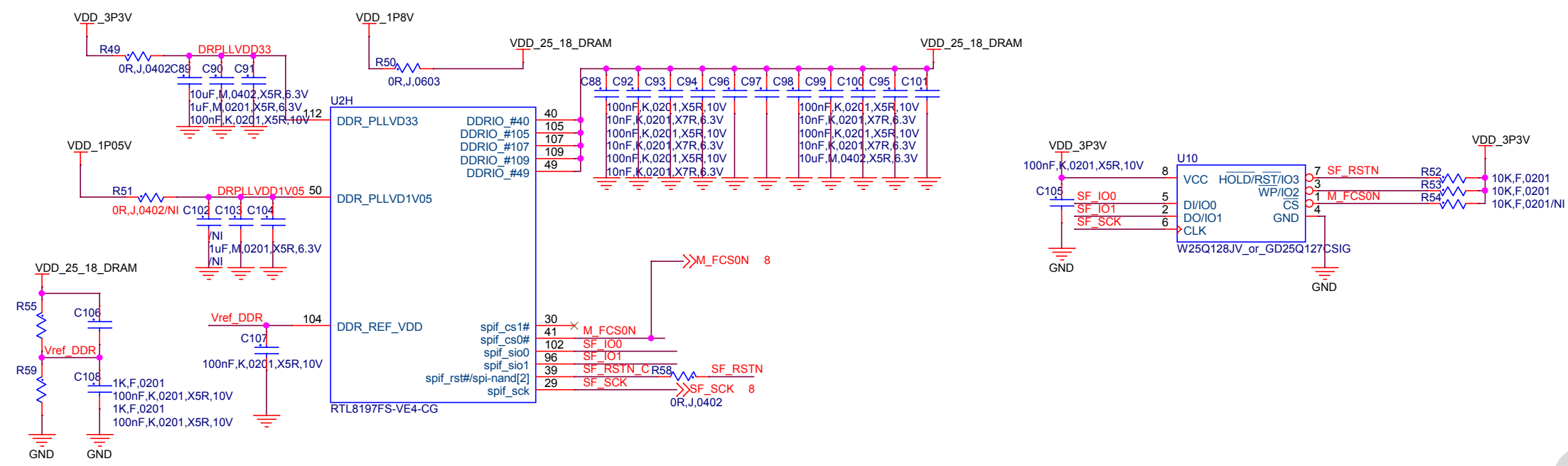
PCB Layer Definition



| | | |
|----------------------------------|---|-------------|
| TENDA | | |
| Title MW6V2.0 | | |
| Size A3 | Document Number Block Diagram | Rev V1.0 |
| Date: Tuesday, April 14, 2020 | Sheet 4 | of 17 |

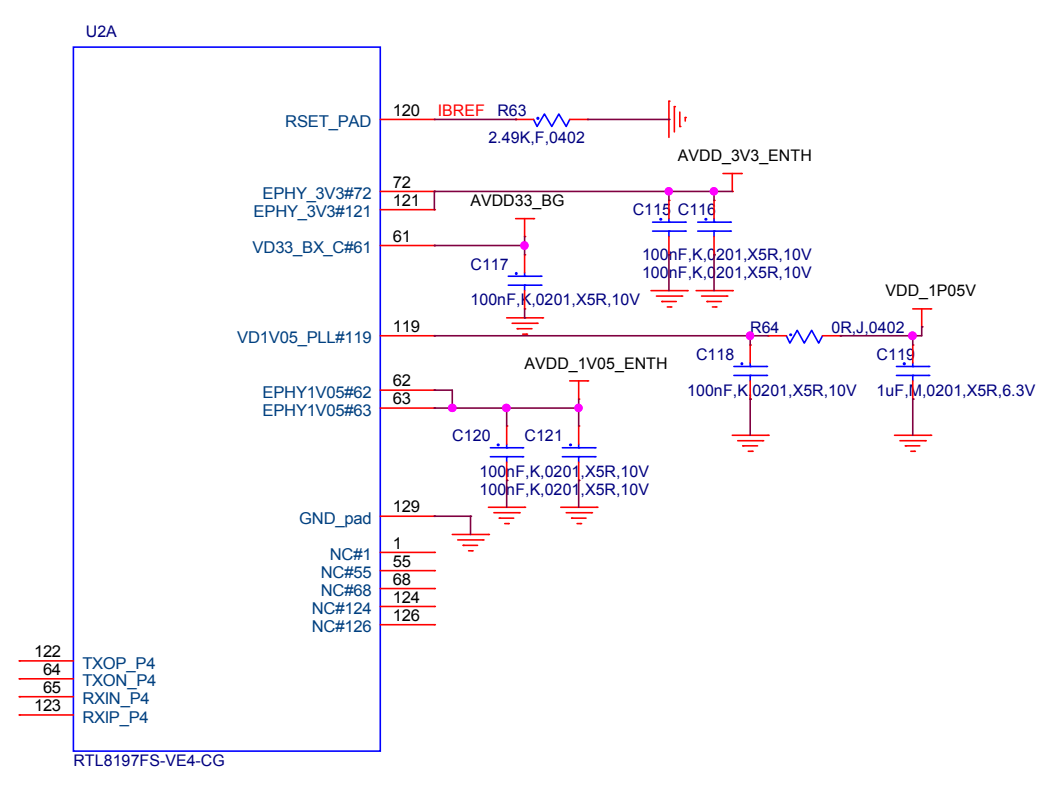
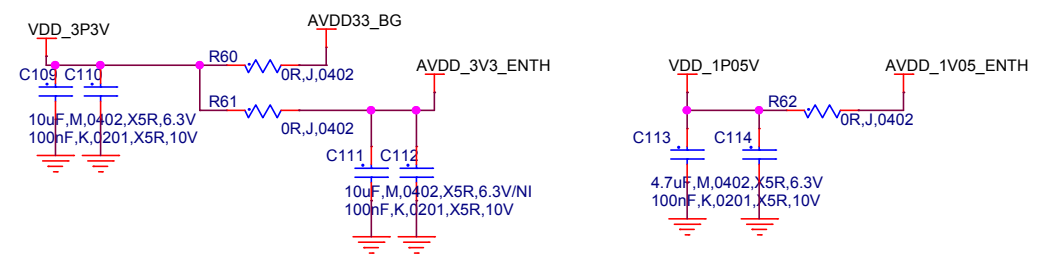


| | | |
|--------------|----------------------------|---------------|
| TENDA | | |
| Title | MW6V2.0 | |
| Size | Document Number | Rev |
| A2 | power supply | V1.0 |
| Date: | Thursday, January 25, 2018 | Sheet 5 of 17 |



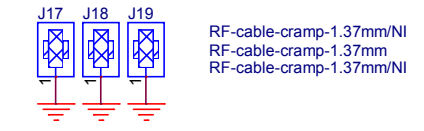
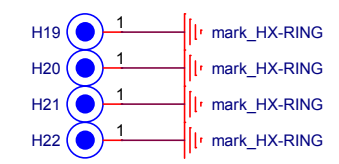
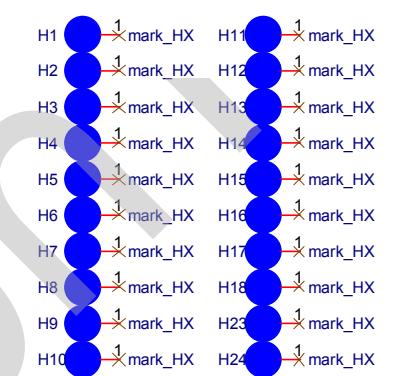
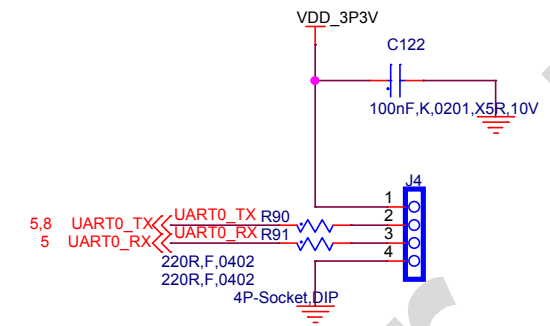
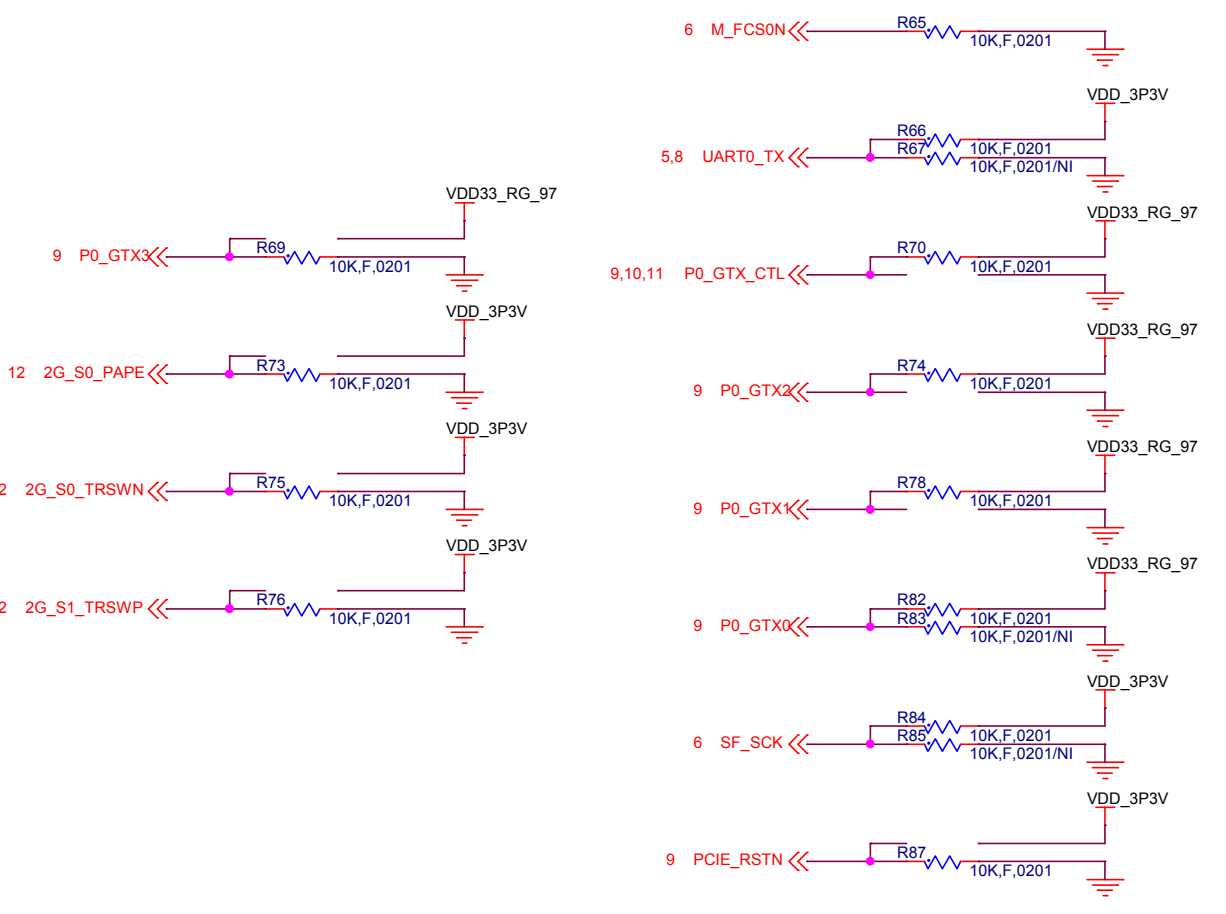
Tenda For TCL on

| | | |
|--------------|----------------------------|---------------|
| TENDA | | |
| Title | MW6V2.0 | |
| Size | Document Number | Rev |
| A2 | DDR2 | V1.0 |
| Date: | Thursday, January 25, 2018 | Sheet 6 of 17 |

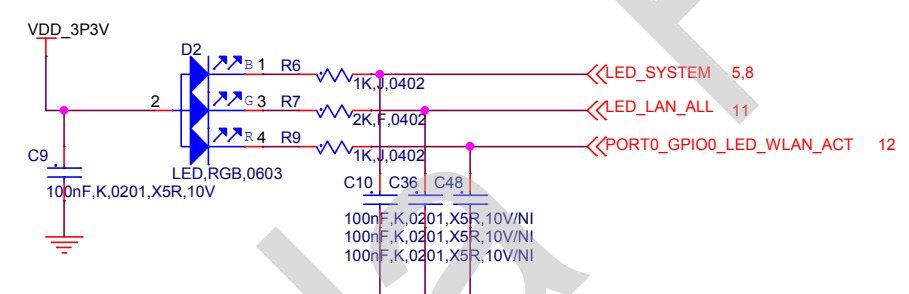


Tenda For TCL on

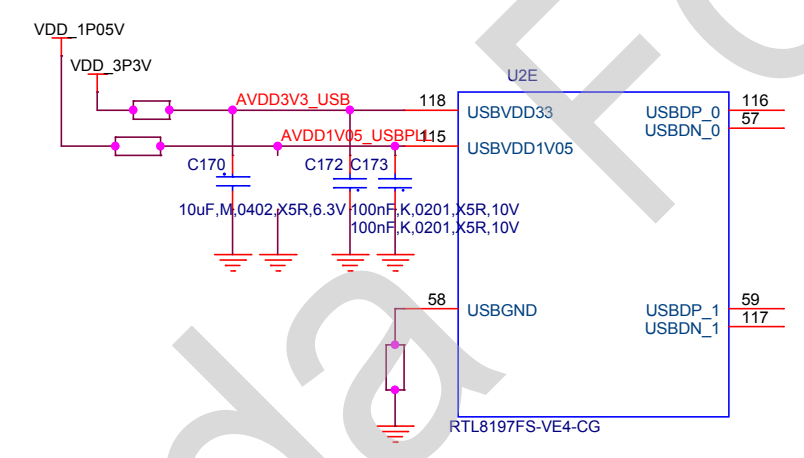
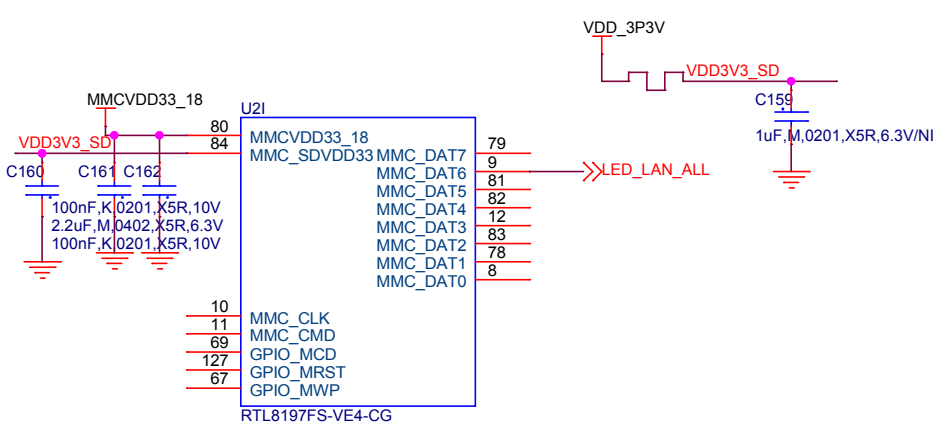
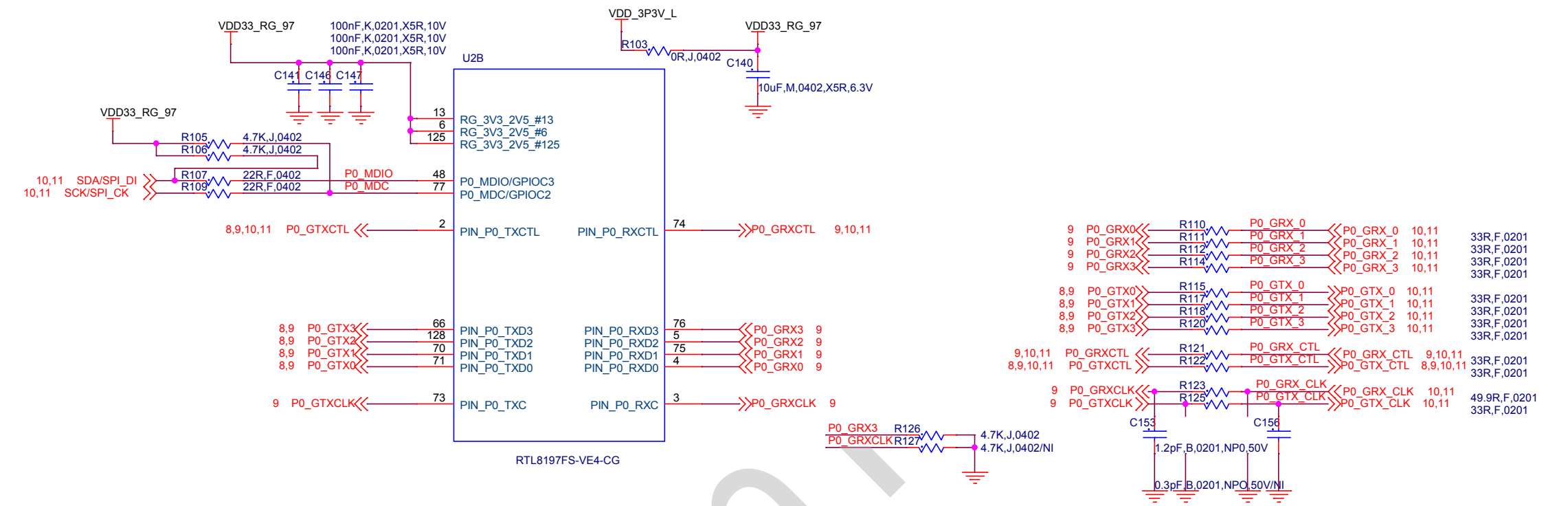
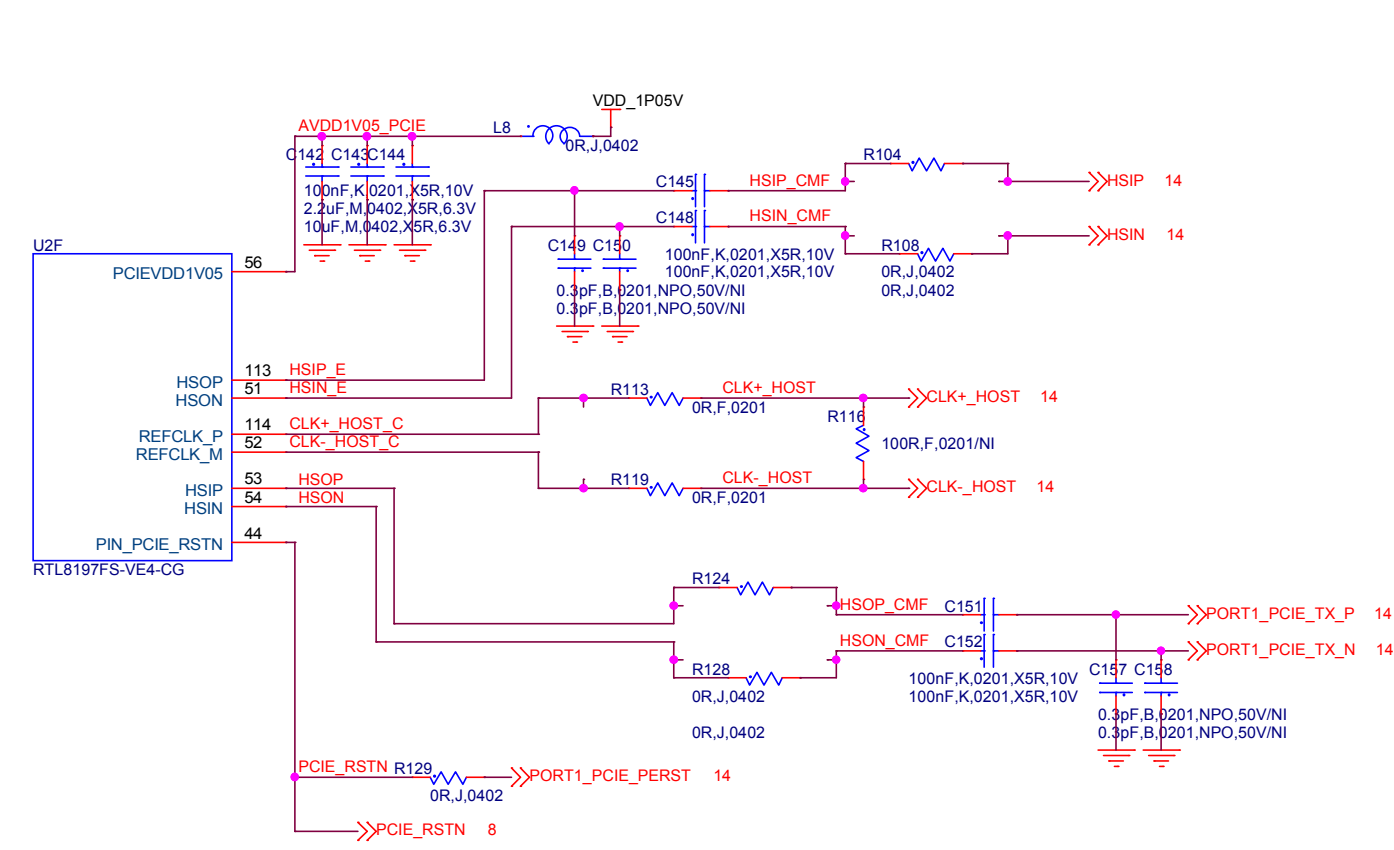
| | | |
|--------------|----------------------------|---------------|
| TENDA | | |
| Title | MW6V2.0 | |
| Size | Document Number | Rev |
| A2 | 10/100M Ethernet Switch | V1.0 |
| Date: | Thursday, January 25, 2018 | Sheet 7 of 17 |



TP5 <<< PORT1_GPIO8_LED_WLAN_ACT

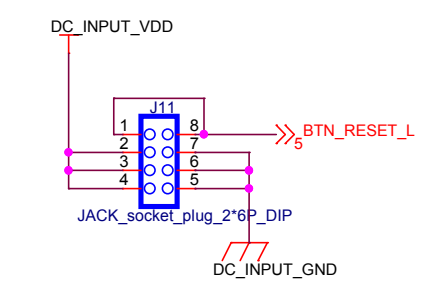
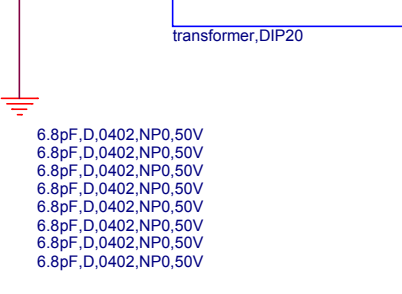
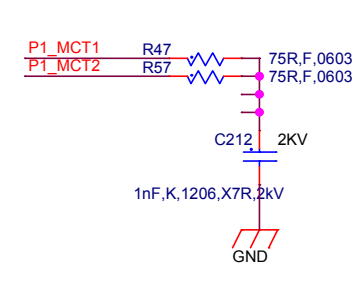
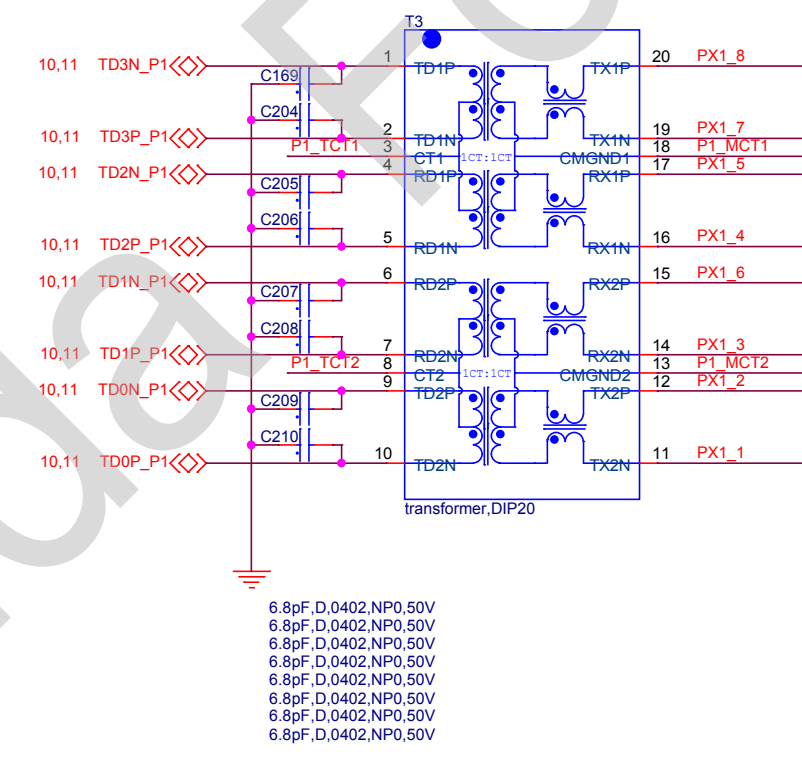
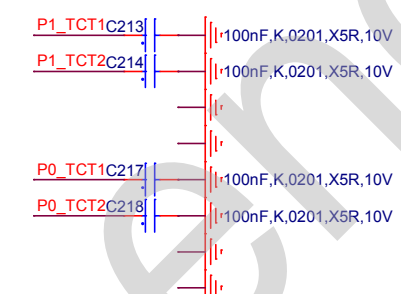
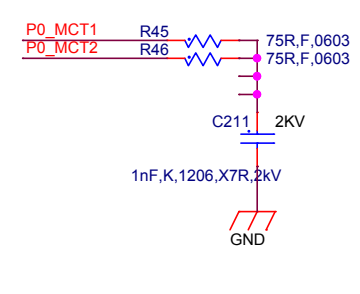
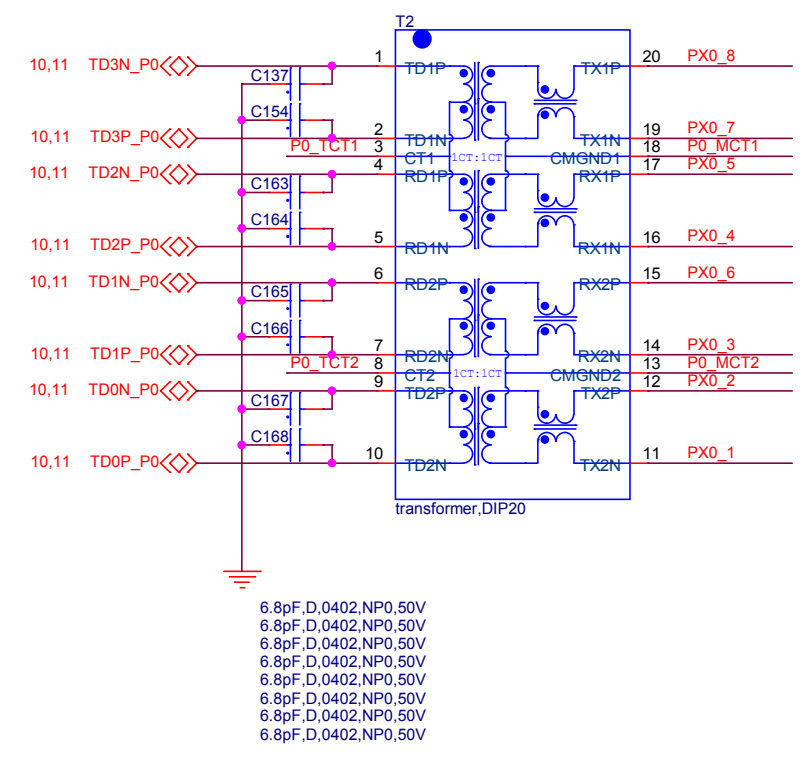
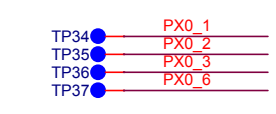
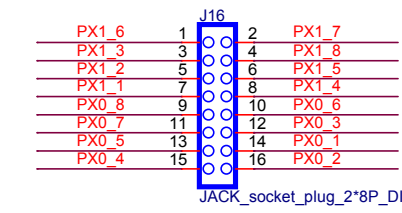


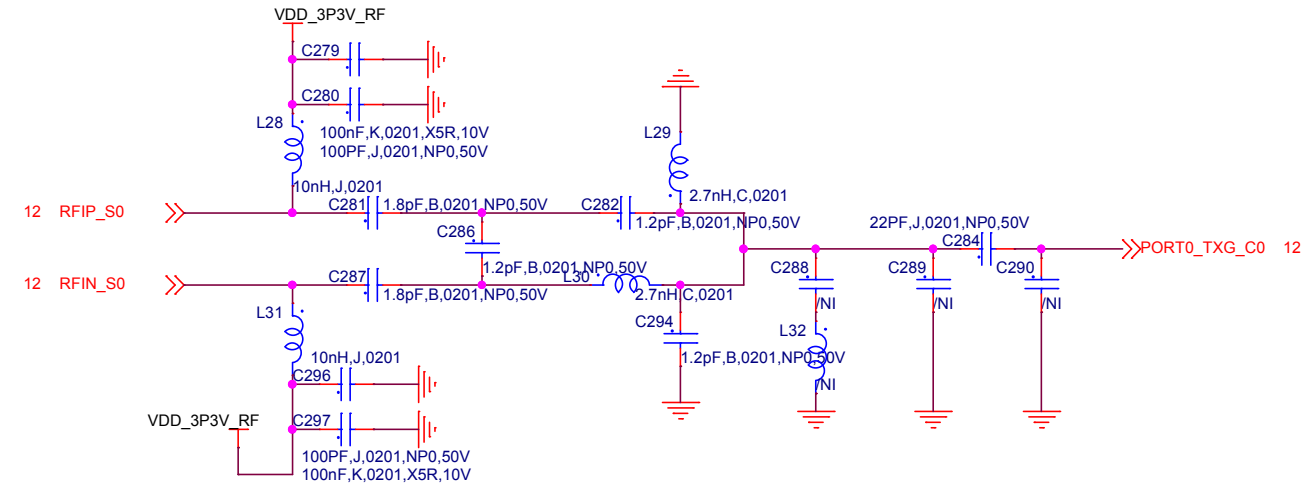
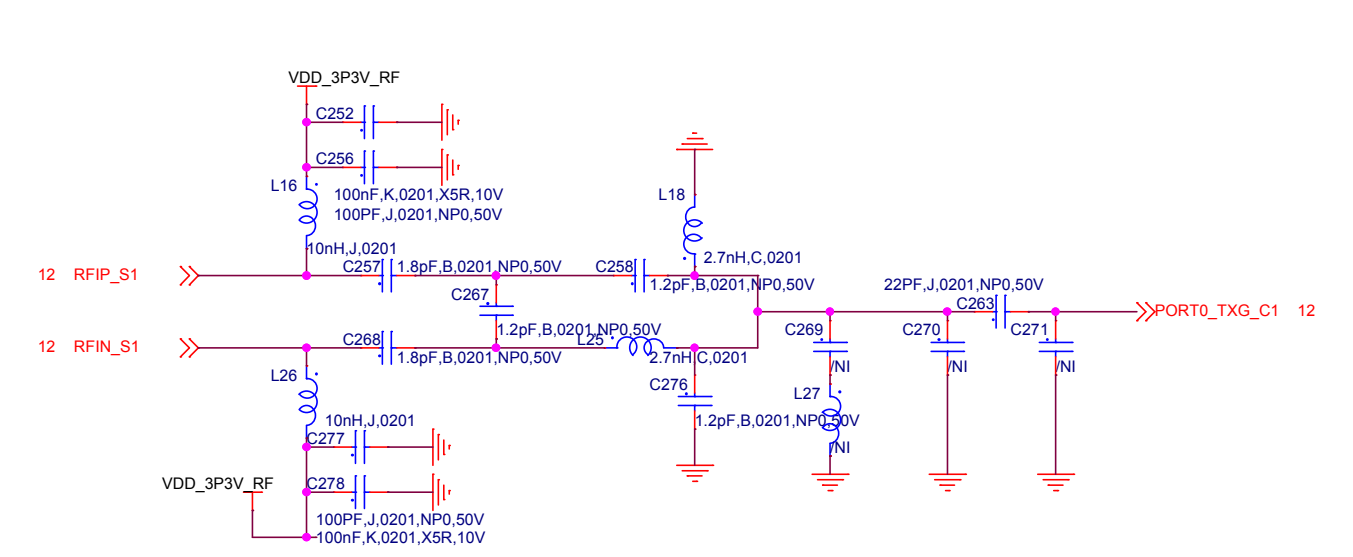
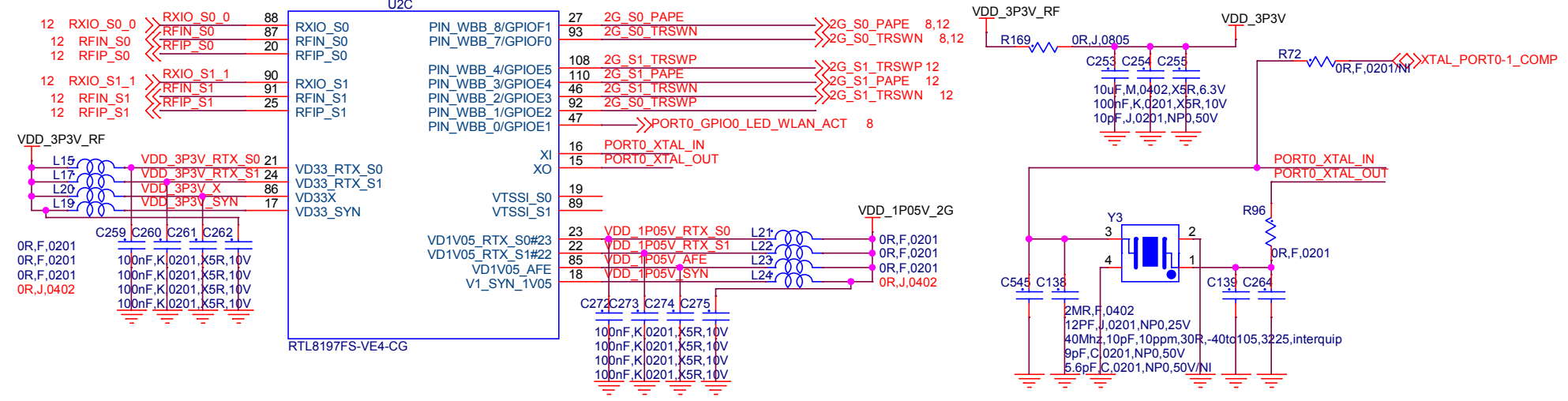
| | | |
|--------------|----------------------------|---------------|
| TENDA | | |
| Title | MW6V2.0 | |
| Size | Document Number | Rev |
| A2 | Boot strapping and Misc | V1.0 |
| Date: | Thursday, January 25, 2018 | Sheet 8 of 17 |



Tenda For TCL on

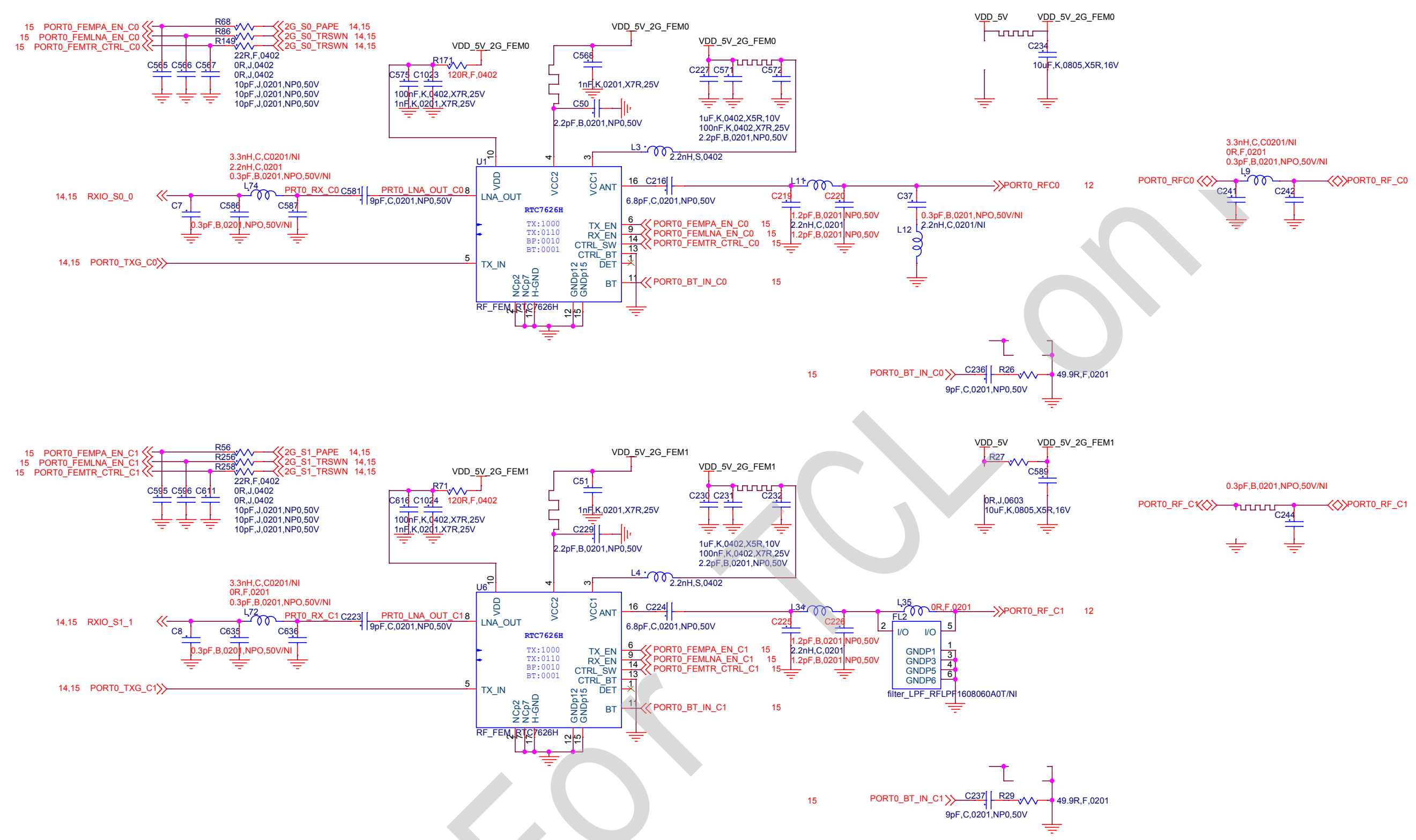
| | | |
|--------------|-----------------------------|---------------|
| TENDA | | |
| Title | MW6V2.0 | |
| Size | Document Number | Rev |
| A2 | PCI-E, RGMII, USB interface | V1.0 |
| Date: | Thursday, January 25, 2018 | Sheet 9 of 17 |



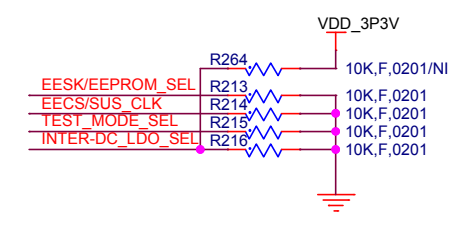
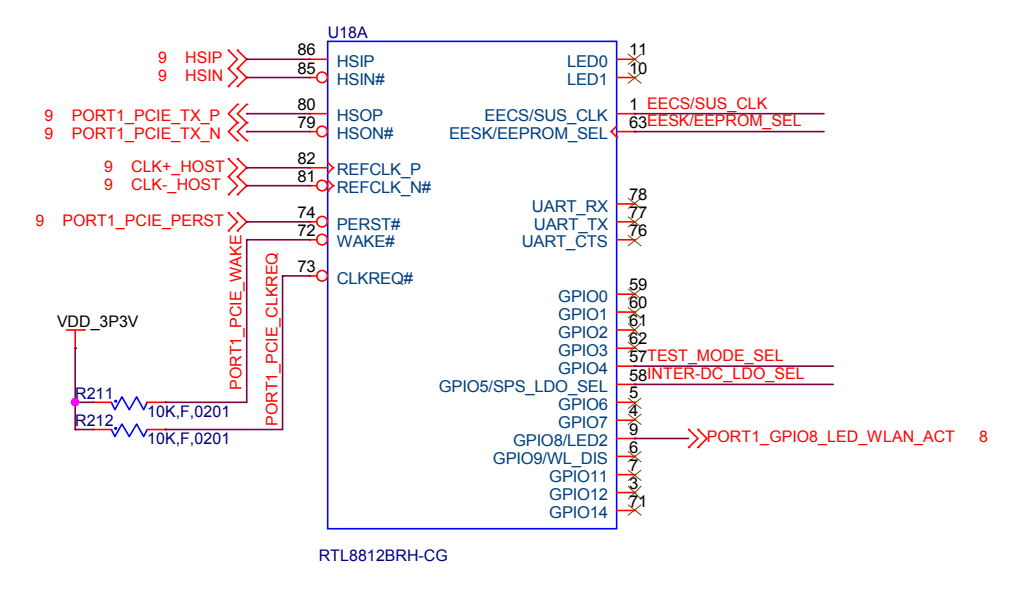
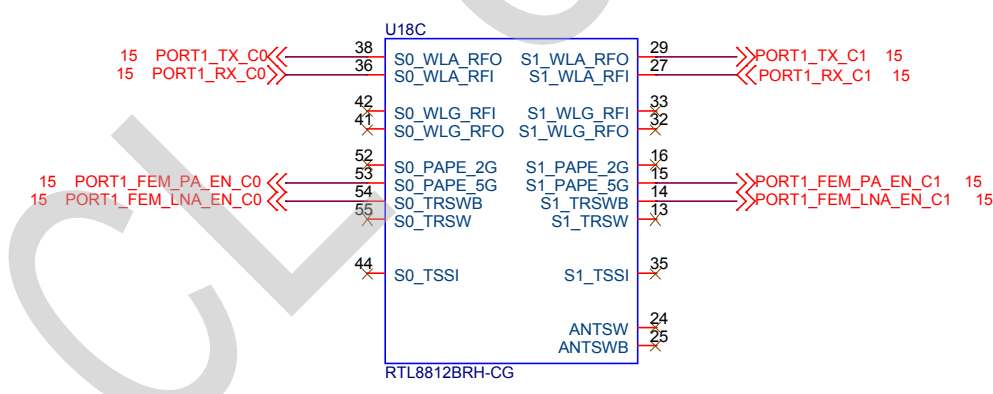
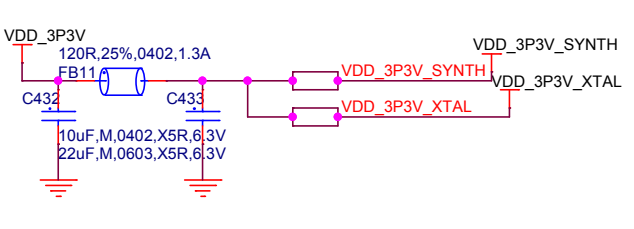
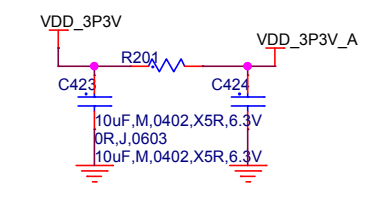
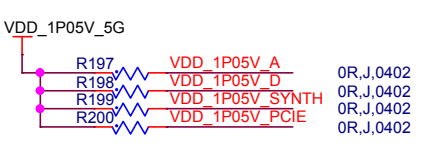
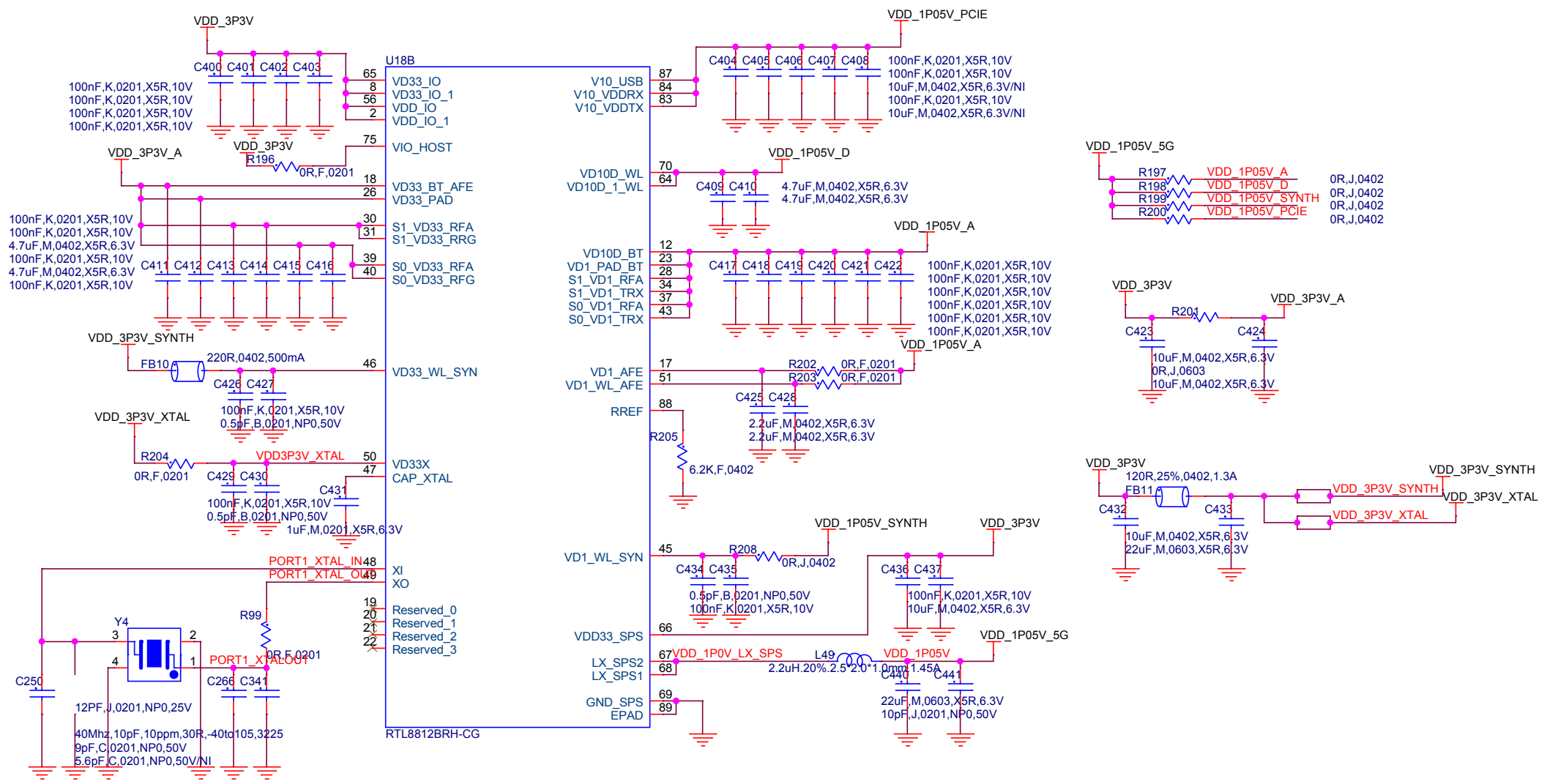


Tenda For TCL on

| | | |
|--------------|----------------------------|----------------|
| TENDA | | |
| Title | MW6V2.0 | |
| Size | Document Number | Rev |
| A2 | RF Port1 FEM | V1.0 |
| Date: | Thursday, January 25, 2018 | Sheet 12 of 17 |

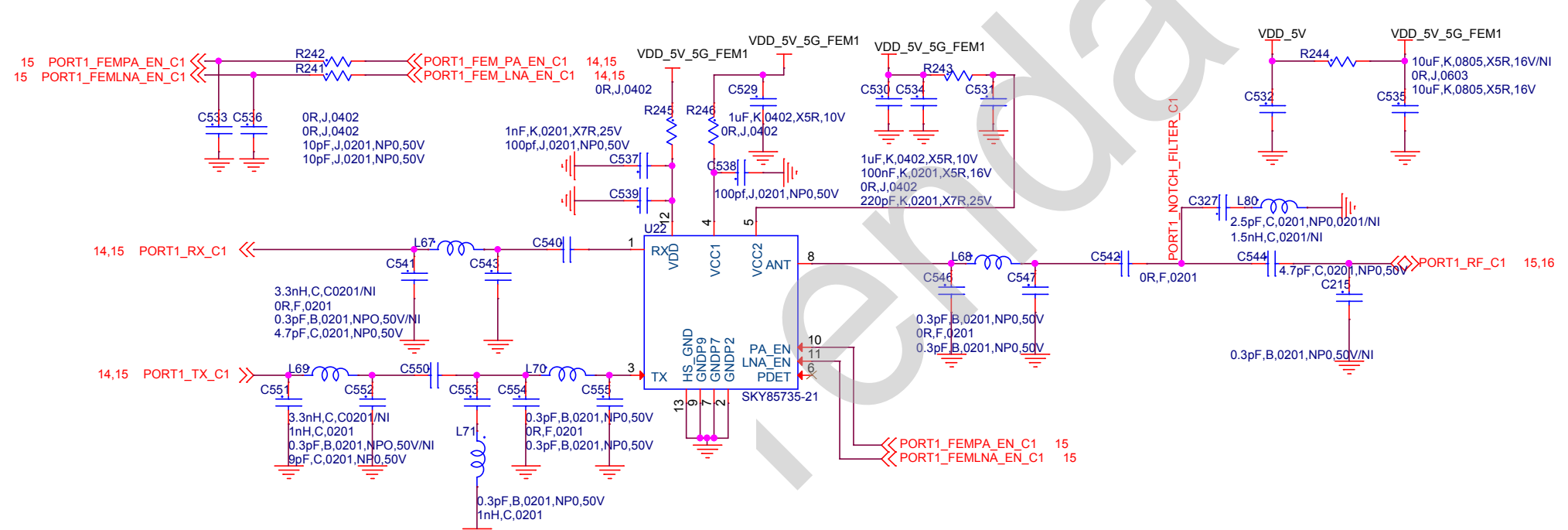
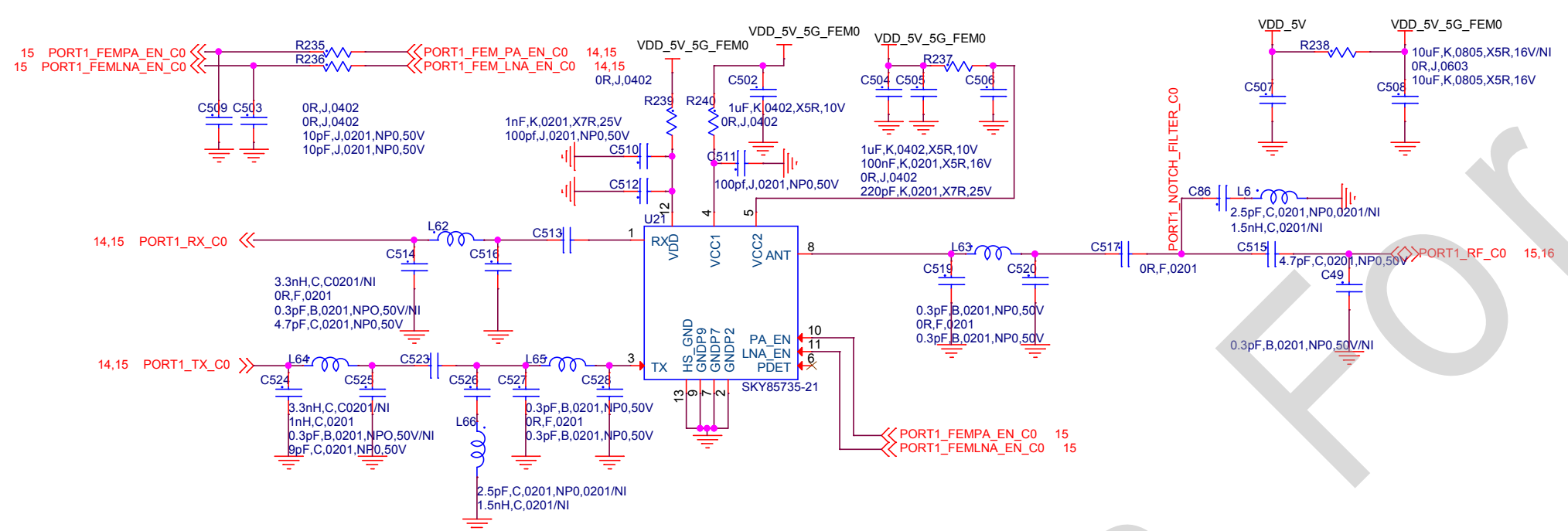


| | | |
|--------------|----------------------------|----------------|
| TENDA | | |
| Title | MW6V2.0 | |
| Size | Document Number | Rev |
| A2 | RF Port1 FEM | V1.0 |
| Date: | Thursday, January 25, 2018 | Sheet 13 of 17 |

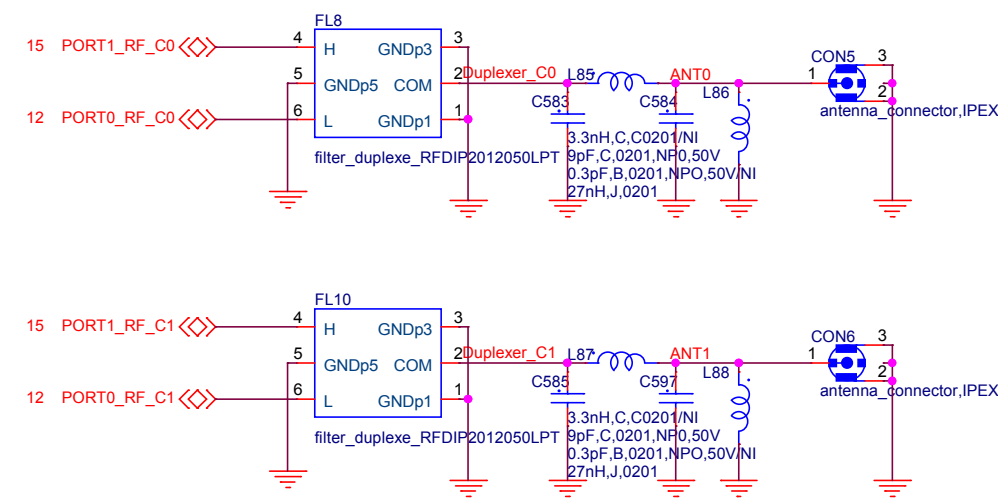


Tenda For TCL.com

| | | |
|--------------|----------------------------|----------------|
| TENDA | | |
| Title | MW6V2.0 | |
| Size | Document Number | Rev |
| A2 | RF Port2 | V1.0 |
| Date: | Thursday, January 25, 2018 | Sheet 14 of 17 |



| | | |
|--------------|----------------------------|----------------|
| TENDA | | |
| Title | MW6V2.0 | |
| Size | Document Number | Rev |
| A2 | RF Port2 FEM | V1.0 |
| Date: | Thursday, January 25, 2018 | Sheet 15 of 17 |



Tenda For TCL on

| | | |
|--------------|----------------------------|----------------|
| TENDA | | |
| Title | MW6V2.0 | |
| Size | Document Number | Rev |
| A2 | Duplexer | V1.0 |
| Date: | Thursday, January 25, 2018 | Sheet 16 of 17 |