

# Appendix B

## Detailed Test Results

1. GSM
GSM850 for Head & Body
GSM1900 for Head & Body
2. WCDMA
WCDMA Band II for Head & Body
WCDMA Band V for Head & Body

Test Laboratory: SGS SAR Lab

### 3026G GSM850 GSM 190CH Left cheek

**DUT: 3026G; Type: UMTS/GSM Mobile Phone; Serial: 2AALMX1**

Communication System: UID 0, GSM Only Communication System (0); Frequency: 836.6 MHz; Duty Cycle: 1:8.30042

Medium: HSL835; Medium parameters used:  $f = 837$  MHz;  $\sigma = 0.892$  S/m;  $\epsilon_r = 40.958$ ;  $\rho = 1000$  kg/m<sup>3</sup>

Phantom section: Left Section

DASY 5 Configuration:

- Probe: EX3DV4 - SN3982; ConvF(10.32, 10.32, 10.32); Calibrated: 2018/4/10;
- Sensor-Surface: 2mm (Mechanical Surface Detection),  $z = -2.0, 31.0$
- Electronics: DAE4 Sn1428; Calibrated: 2018/1/17
- Phantom: Twin phantom; Type: SAM1; Serial: 1141
- DASY52 52.8.8(1258); SEMCAD X 14.6.10(7373)

**Configuration/Head/Area Scan (61x151x1):** Interpolated grid:  $dx=1.500$  mm,  $dy=1.500$  mm  
Maximum value of SAR (interpolated) = 0.169 W/kg

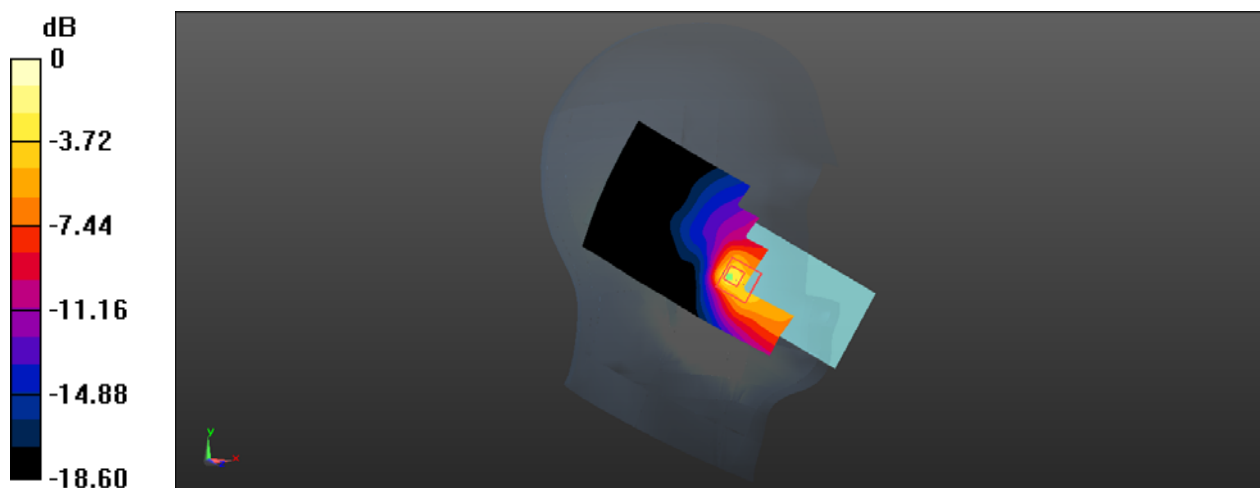
**Configuration/Head/Zoom Scan (5x5x7)/Cube 0:** Measurement grid:  $dx=8$ mm,  $dy=8$ mm,  $dz=5$ mm

Reference Value = 1.883 V/m; Power Drift = 0.02 dB

Peak SAR (extrapolated) = 0.524 W/kg

**SAR(1 g) = 0.151 W/kg; SAR(10 g) = 0.068 W/kg**

Maximum value of SAR (measured) = 0.292 W/kg



0 dB = 0.292 W/kg = -5.35 dBW/kg

Test Laboratory: SGS SAR Lab

### 3026G GSM850 GPRS 3TS 190CH Back side with cover close 10mm

**DUT: 3026G; Type: Mobile Handset; Serial: 2AALMX1**

Communication System: UID 0, GPRS/EGPRS Mode(3up) Communication System (0); Frequency: 836.6 MHz; Duty Cycle: 1:2.77

Medium: MSL835; Medium parameters used:  $f = 837$  MHz;  $\sigma = 0.979$  S/m;  $\epsilon_r = 53.749$ ;  $\rho = 1000$  kg/m<sup>3</sup>

Phantom section: Flat Section

DASY 5 Configuration:

- Probe: EX3DV4 - SN3982; ConvF(10.36, 10.36, 10.36); Calibrated: 2018/4/10;
- Sensor-Surface: 2mm (Mechanical Surface Detection),  $z = -2.0, 31.0$
- Electronics: DAE4 Sn1428; Calibrated: 2018/1/17
- Phantom: ELI5; Type: ELI5; Serial: 1143
- DASY52 52.8.8(1258); SEMCAD X 14.6.10(7373)

**Configuration/Body/Area Scan (61x101x1):** Interpolated grid:  $dx=1.500$  mm,  $dy=1.500$  mm  
Maximum value of SAR (interpolated) = 0.430 W/kg

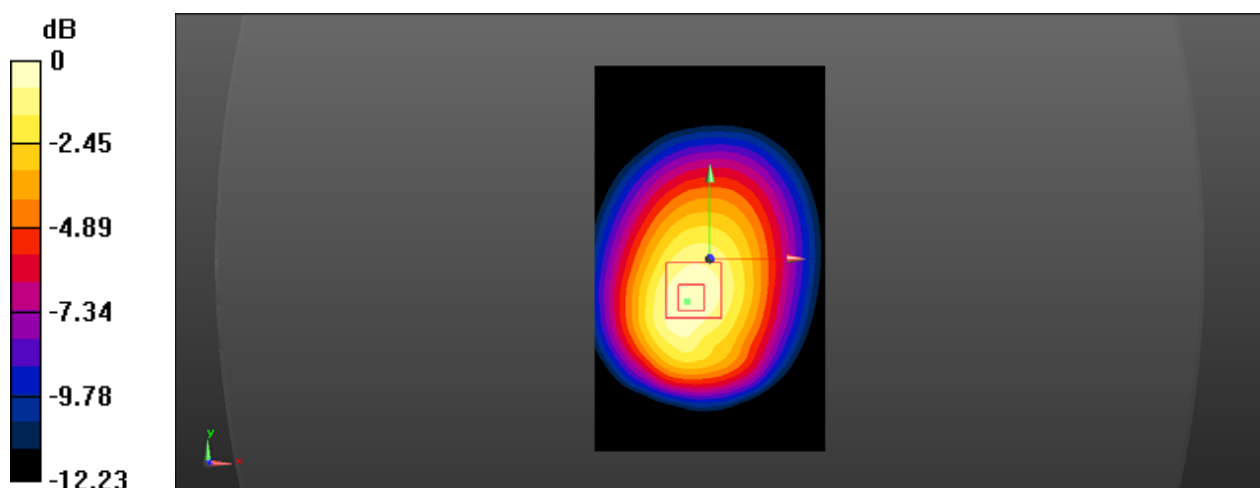
**Configuration/Body/Zoom Scan (5x5x7)/Cube 0:** Measurement grid:  $dx=8$ mm,  $dy=8$ mm,  $dz=5$ mm

Reference Value = 17.19 V/m; Power Drift = 0.04 dB

Peak SAR (extrapolated) = 0.510 W/kg

**SAR(1 g) = 0.352 W/kg; SAR(10 g) = 0.240 W/kg**

Maximum value of SAR (measured) = 0.434 W/kg



0 dB = 0.434 W/kg = -3.63 dBW/kg

Test Laboratory: SGS-SAR Lab

### 3026G GSM1900 GSM 661CH Left cheek

**DUT: 3026G; Type: UMTS/GSM Mobile Phone; Serial: 2AALMX1**

Communication System: UID 0, GSM Only Communication System (0); Frequency: 1880 MHz; Duty Cycle: 1:8.30042

Medium: HSL1900; Medium parameters used:  $f = 1880$  MHz;  $\sigma = 1.368$  S/m;  $\epsilon_r = 40.662$ ;  $\rho = 1000$  kg/m<sup>3</sup>

Phantom section: Left Section

DASY 5 Configuration:

- Probe: EX3DV4 - SN3923; ConvF(8.75, 8.75, 8.75); Calibrated: 2017/8/24;
- Sensor-Surface: 2mm (Mechanical Surface Detection),  $z = -2.0, 31.0$
- Electronics: DAE4 Sn1267; Calibrated: 2017/11/28
- Phantom: Twin Phantom; Type: SAM1; Serial: 1824
- DASY52 52.8.8(1258); SEMCAD X 14.6.10(7373)

**Configuration/Head/Area Scan (61x151x1):** Interpolated grid:  $dx=1.500$  mm,  $dy=1.500$  mm  
Maximum value of SAR (interpolated) = 0.307 W/kg

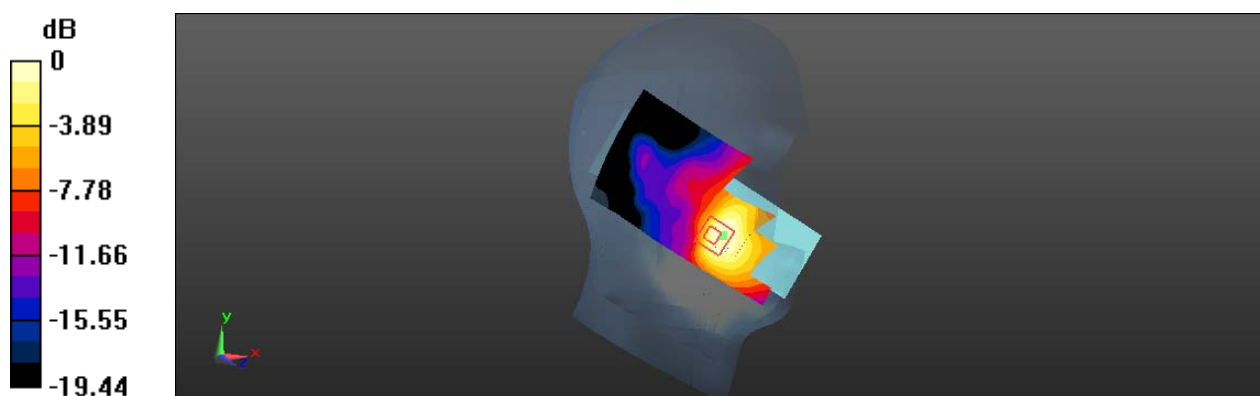
**Configuration/Head/Zoom Scan (5x5x7)/Cube 0:** Measurement grid:  $dx=8$ mm,  $dy=8$ mm,  $dz=5$ mm

Reference Value = 2.359 V/m; Power Drift = 0.16 dB

Peak SAR (extrapolated) = 0.323 W/kg

**SAR(1 g) = 0.208 W/kg; SAR(10 g) = 0.105 W/kg**

Maximum value of SAR (measured) = 0.217 W/kg



0 dB = 0.217 W/kg = -6.64 dBW/kg

Test Laboratory: SGS-SAR Lab

### 3026G GSM1900 GPRS 3TS 661CH Back side with cover close 10mm

**DUT: 3026G; Type: Mobile Handset; Serial: 2AALMX1**

Communication System: UID 0, GPRS/EGPRS Mode(3up) Communication System (0); Frequency: 1880 MHz; Duty Cycle: 1:2.77

Medium: MSL1900; Medium parameters used:  $f = 1880$  MHz;  $\sigma = 1.494$  S/m;  $\epsilon_r = 52.199$ ;  $\rho = 1000$  kg/m<sup>3</sup>

Phantom section: Flat Section

DASY 5 Configuration:

- Probe: EX3DV4 - SN3923; ConvF(8.44, 8.44, 8.44); Calibrated: 2017/8/24;
- Sensor-Surface: 2mm (Mechanical Surface Detection),  $z = -2.0, 31.0$
- Electronics: DAE4 Sn1267; Calibrated: 2017/11/28
- Phantom: ELI v5.0 ; Type: ELI V5.0 ; Serial: TP:1239
- DASY52 52.8.8(1258); SEMCAD X 14.6.10(7373)

**Configuration/Body/Area Scan (61x101x1):** Interpolated grid:  $dx=1.500$  mm,  $dy=1.500$  mm  
Maximum value of SAR (interpolated) = 0.585 W/kg

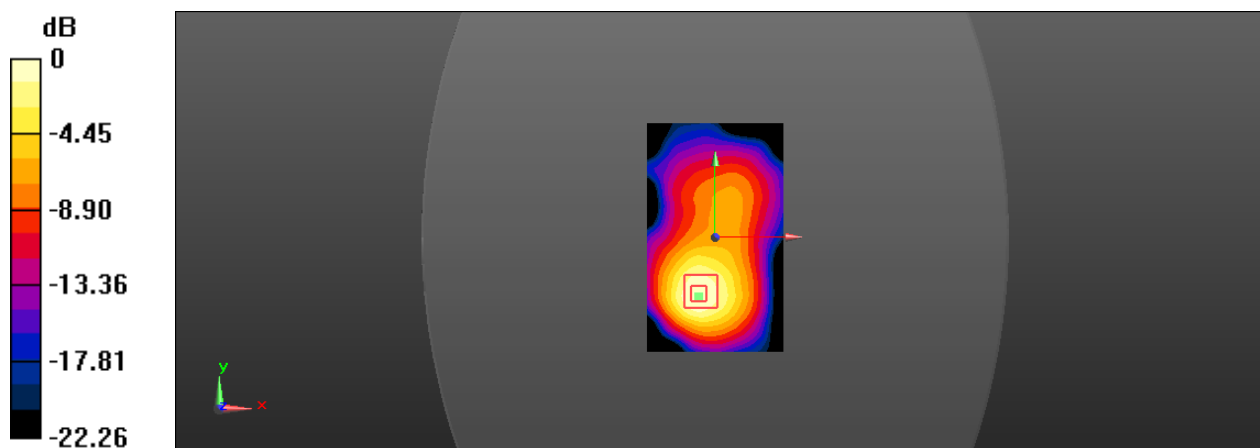
**Configuration/Body/Zoom Scan (5x5x7)/Cube 0:** Measurement grid:  $dx=8$ mm,  $dy=8$ mm,  $dz=5$ mm

Reference Value = 7.995 V/m; Power Drift = 0.10 dB

Peak SAR (extrapolated) = 0.651 W/kg

**SAR(1 g) = 0.380 W/kg; SAR(10 g) = 0.218 W/kg**

Maximum value of SAR (measured) = 0.517 W/kg



0 dB = 0.517 W/kg = -2.87 dBW/kg

Test Laboratory: SGS-SAR Lab

### 3026G WCDMA Band II RMC 9400CH Left cheek

**DUT: 3026G; Type: UMTS/GSM Mobile Phone; Serial: 2AALMX1**

Communication System: UID 0, WCDMA (0); Frequency: 1880 MHz; Duty Cycle: 1:1

Medium: HSL1900; Medium parameters used:  $f = 1880$  MHz;  $\sigma = 1.368$  S/m;  $\epsilon_r = 40.662$ ;  $\rho = 1000$  kg/m<sup>3</sup>

Phantom section: Left Section

DASY 5 Configuration:

- Probe: EX3DV4 - SN3923; ConvF(8.75, 8.75, 8.75); Calibrated: 2017/8/24;
- Sensor-Surface: 2mm (Mechanical Surface Detection),  $z = -2.0, 31.0$
- Electronics: DAE4 Sn1267; Calibrated: 2017/11/28
- Phantom: Twin Phantom; Type: SAM1; Serial: 1824
- DASY52 52.8.8(1258); SEMCAD X 14.6.10(7373)

**Configuration/Head/Area Scan (61x151x1):** Interpolated grid:  $dx=1.500$  mm,  $dy=1.500$  mm  
Maximum value of SAR (interpolated) = 0.506 W/kg

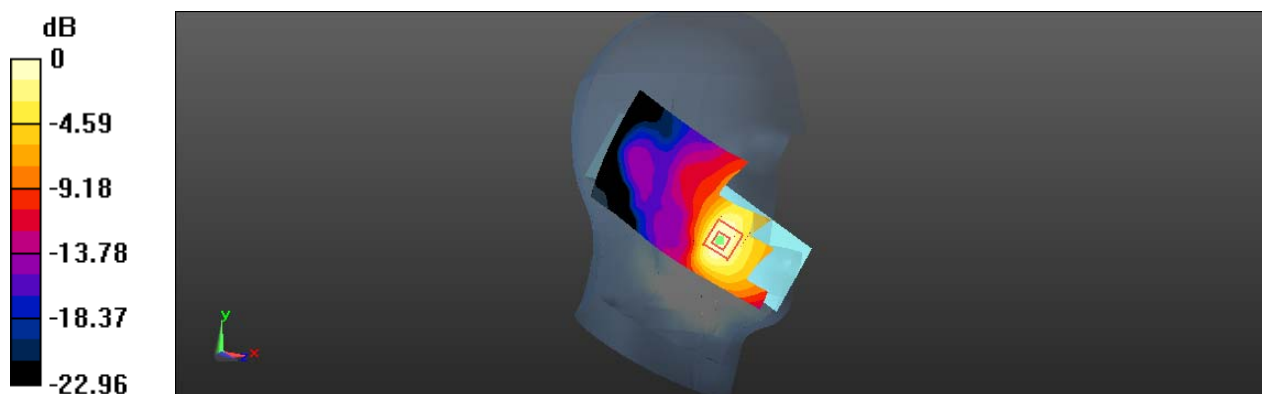
**Configuration/Head/Zoom Scan (5x5x7)/Cube 0:** Measurement grid:  $dx=8$ mm,  $dy=8$ mm,  $dz=5$ mm

Reference Value = 3.131 V/m; Power Drift = -0.11 dB

Peak SAR (extrapolated) = 0.575 W/kg

**SAR(1 g) = 0.384 W/kg; SAR(10 g) = 0.229 W/kg**

Maximum value of SAR (measured) = 0.436 W/kg



0 dB = 0.436 W/kg = -3.61 dBW/kg

Test Laboratory: SGS-SAR Lab

### 3026G WCDMA Band II RMC 9400CH Back side with cover open 10mm

**DUT: 3026G; Type: UMTS/GSM Mobile Phone; Serial: 2AALMX1**

Communication System: UID 0, WCDMA (0); Frequency: 1880 MHz; Duty Cycle: 1:1

Medium: MSL1900; Medium parameters used:  $f = 1880$  MHz;  $\sigma = 1.494$  S/m;  $\epsilon_r = 52.199$ ;  $\rho = 1000$  kg/m<sup>3</sup>

Phantom section: Flat Section

DASY 5 Configuration:

- Probe: EX3DV4 - SN3923; ConvF(8.44, 8.44, 8.44); Calibrated: 2017/8/24;
- Sensor-Surface: 2mm (Mechanical Surface Detection),  $z = -2.0, 31.0$
- Electronics: DAE4 Sn1267; Calibrated: 2017/11/28
- Phantom: ELI v5.0; Type: ELI V5.0 ; Serial: TP:1239
- DASY52 52.8.8(1258); SEMCAD X 14.6.10(7373)

**Configuration/Body/Area Scan (61x151x1):** Interpolated grid:  $dx=1.500$  mm,  $dy=1.500$  mm  
Maximum value of SAR (interpolated) = 0.946 W/kg

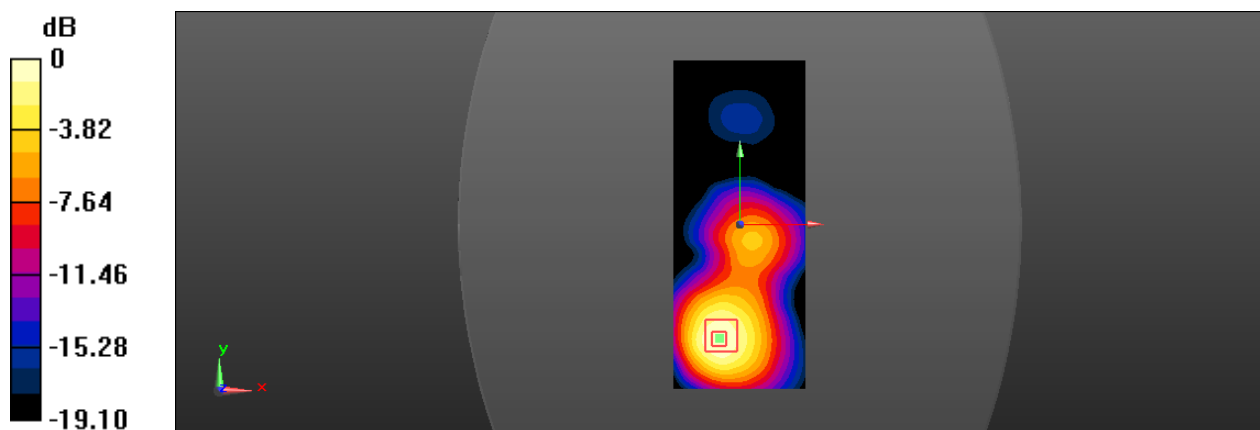
**Configuration/Body/Zoom Scan (5x5x7)/Cube 0:** Measurement grid:  $dx=8$ mm,  $dy=8$ mm,  $dz=5$ mm

Reference Value = 10.64 V/m; Power Drift = 0.01 dB

Peak SAR (extrapolated) = 1.13 W/kg

**SAR(1 g) = 0.690 W/kg; SAR(10 g) = 0.410 W/kg**

Maximum value of SAR (measured) = 0.911 W/kg



0 dB = 0.911 W/kg = -0.40 dBW/kg

Test Laboratory: SGS SAR Lab

### 3026G WCDMA Band V RMC 4182CH Left cheek

**DUT: 3025G; Type: UMTS/GSM Mobile Phone; Serial: 2AALMX1**

Communication System: UID 0, WCDMA (0); Frequency: 836.4 MHz; Duty Cycle: 1:1

Medium: HSL835; Medium parameters used (interpolated):  $f = 836.4$  MHz;  $\sigma = 0.891$  S/m;  $\epsilon_r = 40.962$ ;  $\rho = 1000$  kg/m<sup>3</sup>

Phantom section: Left Section

DASY 5 Configuration:

- Probe: EX3DV4 - SN3982; ConvF(10.32, 10.32, 10.32); Calibrated: 2018/4/10;
- Sensor-Surface: 2mm (Mechanical Surface Detection),  $z = -2.0, 31.0$
- Electronics: DAE4 Sn1428; Calibrated: 2018/1/17
- Phantom: Twin phantom; Type: SAM1; Serial: 1141
- DASY52 52.8.8(1258); SEMCAD X 14.6.10(7373)

**Configuration/Head/Area Scan (61x151x1):** Interpolated grid:  $dx=1.500$  mm,  $dy=1.500$  mm  
Maximum value of SAR (interpolated) = 0.135 W/kg

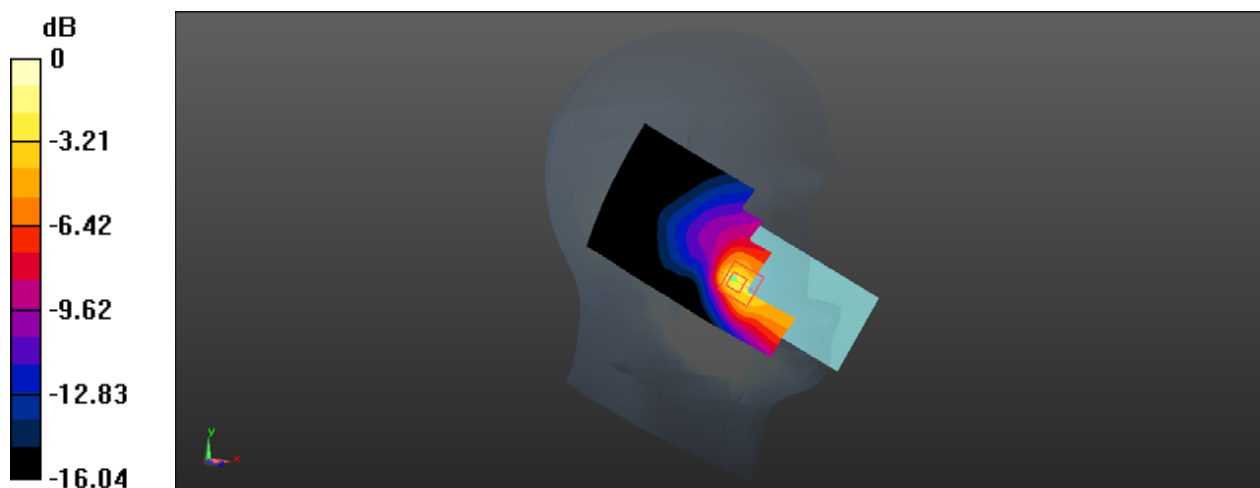
**Configuration/Head/Zoom Scan (5x5x7)/Cube 0:** Measurement grid:  $dx=8$ mm,  $dy=8$ mm,  $dz=5$ mm

Reference Value = 2.194 V/m; Power Drift = 0.05 dB

Peak SAR (extrapolated) = 0.386 W/kg

**SAR(1 g) = 0.121 W/kg; SAR(10 g) = 0.058 W/kg**

Maximum value of SAR (measured) = 0.223 W/kg



0 dB = 0.223 W/kg = -6.52 dBW/kg



Test Laboratory: SGS SAR Lab

### 3026G WCDMA Band V RMC 4182CH Back side with cover close 10mm

**DUT: 3026G; Type: UMTS/GSM Mobile Phone; Serial: 2AALMX1**

Communication System: UID 0, WCDMA (0); Frequency: 836.4 MHz; Duty Cycle: 1:1

Medium: MSL835; Medium parameters used (interpolated):  $f = 836.4$  MHz;  $\sigma = 0.979$  S/m;  $\epsilon_r = 53.73$ ;  $\rho = 1000$  kg/m<sup>3</sup>

Phantom section: Flat Section

DASY 5 Configuration:

- Probe: EX3DV4 - SN3982; ConvF(10.36, 10.36, 10.36); Calibrated: 2018/4/10;
- Sensor-Surface: 2mm (Mechanical Surface Detection),  $z = -2.0, 31.0$
- Electronics: DAE4 Sn1428; Calibrated: 2018/1/17
- Phantom: ELI5; Type: ELI5; Serial: 1143
- DASY52 52.8.8(1258); SEMCAD X 14.6.10(7373)

**Configuration/Body/Area Scan (61x101x1):** Interpolated grid:  $dx=1.500$  mm,  $dy=1.500$  mm  
Maximum value of SAR (interpolated) = 0.277 W/kg

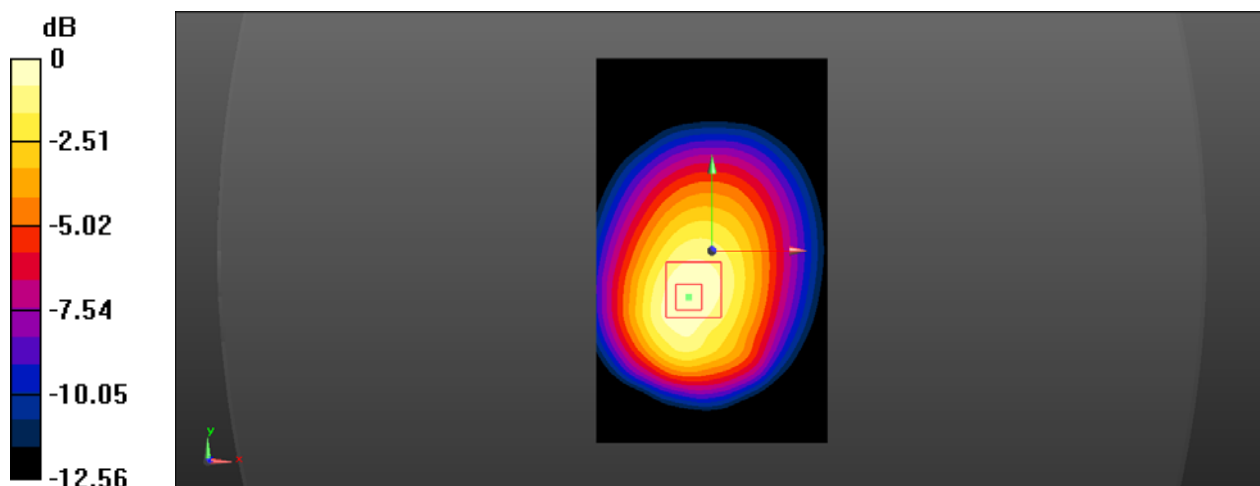
**Configuration/Body/Zoom Scan (5x5x7)/Cube 0:** Measurement grid:  $dx=8$ mm,  $dy=8$ mm,  $dz=5$ mm

Reference Value = 14.02 V/m; Power Drift = -0.12 dB

Peak SAR (extrapolated) = 0.324 W/kg

**SAR(1 g) = 0.222 W/kg; SAR(10 g) = 0.151 W/kg**

Maximum value of SAR (measured) = 0.277 W/kg



0 dB = 0.277 W/kg = -5.58 dBW/kg