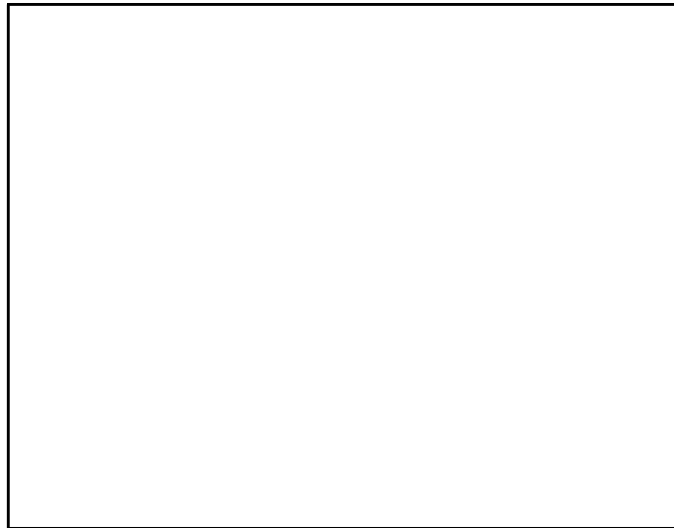



FOR APPROVAL

CUSTOMER : 코마테크
MATERIAL : PM12
MODEL : KWT-15W-A11_ASSEMBLY
PART No. : WT11-052-52-2R7C
DATE : 08 . May . 2018.



 TODA ISU CORPORATION

HEAD OFFICE & FACTORY : 5-12 BANKYE-RI, MUNMAK-EUP, WONJU-SI KANGWON-DO, KOREA.
FAX : 82-33-7301-888, TEL : 82-33-7301-700 HOME PAGE : <http://www.toda-isu.com/>

개정 이력

ISSUE	DATE	PAGE	DETAILS OF ALTERATION
1	2018.05.08		ISSUE

STANDARD CHARACTERISTICS OF PM12 MATERIAL

NO.	PARAMETER	SYMBOL	UNIT	TEST CONDITION	PM12
1	Initial permeability	μ_i	-	$25^\circ\text{C}, \leq 10\text{kHz}, \leq 1\text{mT}$	$3200 \pm 25\%$
2	Flux density near saturation	B_s	mT	$H=1200(\text{A/m}), 25^\circ\text{C}, f=10\text{kHz}$	480
				$H=1200(\text{A/m}), 100^\circ\text{C}, f=10\text{kHz}$	390
3	Coercive field strength	H_c	A/m	$25^\circ\text{C}, f=10\text{kHz}$	13
				$100^\circ\text{C}, f=10\text{kHz}$	10
4	Remanence	B_r	mT	$H=1200(\text{A/m}), 25^\circ\text{C}, f=10\text{kHz}$	140
5	Curie temperature	T_c	$^\circ\text{C}$	-	>210
6	Cut off frequency	f_c	MHz	25°C	1.5
7	Power loss	P_L	mW/cm^3	$100 \text{ kHz}/200\text{mT}, 25^\circ\text{C}$	700
				$100 \text{ kHz}/200\text{mT}, 100^\circ\text{C}$	410
8	Specific resistivity	ρ	$\Omega \cdot \text{m}$	-	7
9	Density	d	kg/m^3	-	4900

Remarks : Values measured on $30 \times 20 \times 8\text{mm}$ reference toroid.

SPECIFICATIONS

Material	PM12	Type	Tx - A11
Spec Rev.	0	Drwg Rev.	

1. Electromagnetic specifications

Electrical Data & Test conditions	Inductance (Ls)	Rs (mΩ)
Values	6.3 ± 5%	65 Max
Temperature	25℃ ± 2℃	
Test equipment	HP-4284A LCR METER OR EQUIVALENT EQUIPMENT	
Test frequency	100 kHz	
Test voltage	1 V	

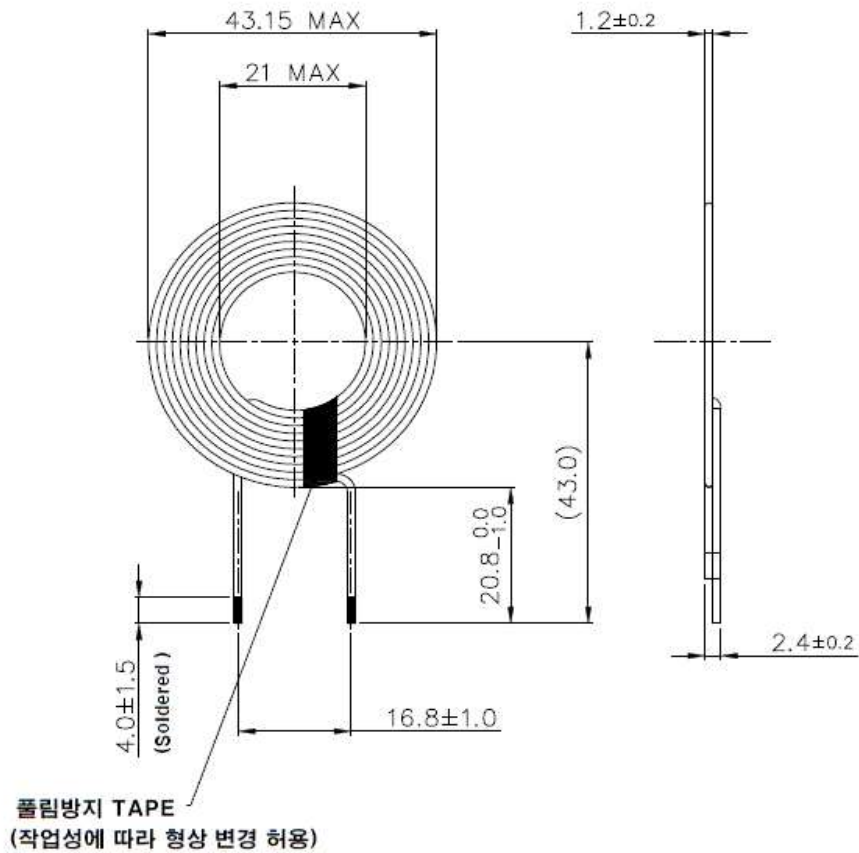
2. Temperature Characteristics.

NO	Parameter	Specification
1	Operating Temperature	-40 ~ 85℃
2	Storage Temperature	-40 ~ 85℃

3. Material List.

No.	Part Name.	Specifications	Manufacture
1	Ferrite	Mn-Zn Φ52 _ 1.0T	TODAISU
2	COIL	USTC 0.08*105p_10Ts	ZHUHAI WEIHAN
3	Coil Protection Tape	HUIZHOU YAHUA STICKING TAPE CO., LTD	Polyester Mylar Tape 280 (T -50um Yellow)
4	Bottom ADH	Thickness of the adhesive 0.1mm	DongGuan NanRui Insulation material factory
5	COIL ADH	Thickness of the adhesive 0.1mm	DongGuan NanRui Insulation material factory
6	SOLDER	SEOUL ALLOYMETAL / HEESUNG MATERIAL	SHENZHEN YONGYUAN HANXI MATERIAL CO.,LTD

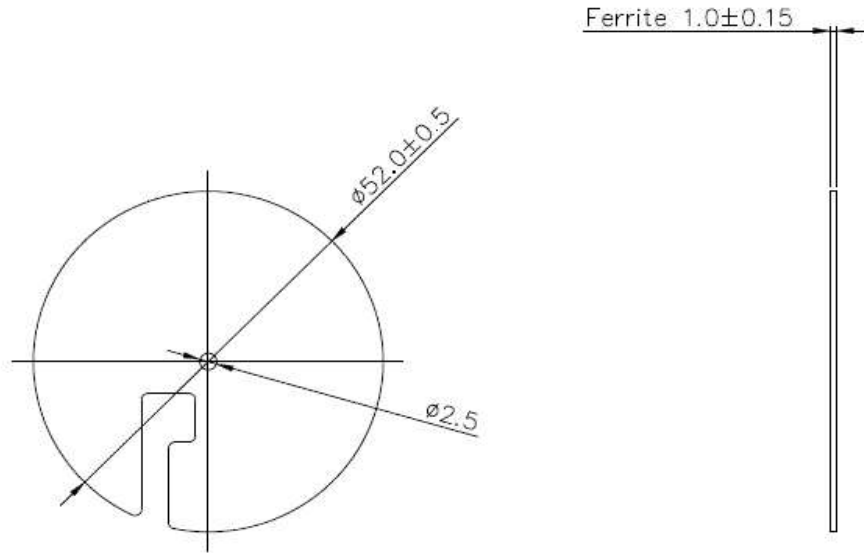
COIL SPECIFICATIONS



NOTE
Wire : USTC 0.08*105p 10Ts(1Layer)

△				
△				
MARK	DATE	DETAIL OF REVISION	CHECKED	APPROVED
APPROVED			TITLE A11 Coil	
CHECKED				
DESIGNED	2018.05.08			
DRAWN	2018.04.12	J.R.SON	TODA ISU Corporation	
SCALE N.S	MAT'L	SIZE		
⊙	⊙	DWG Rev.	1.1	

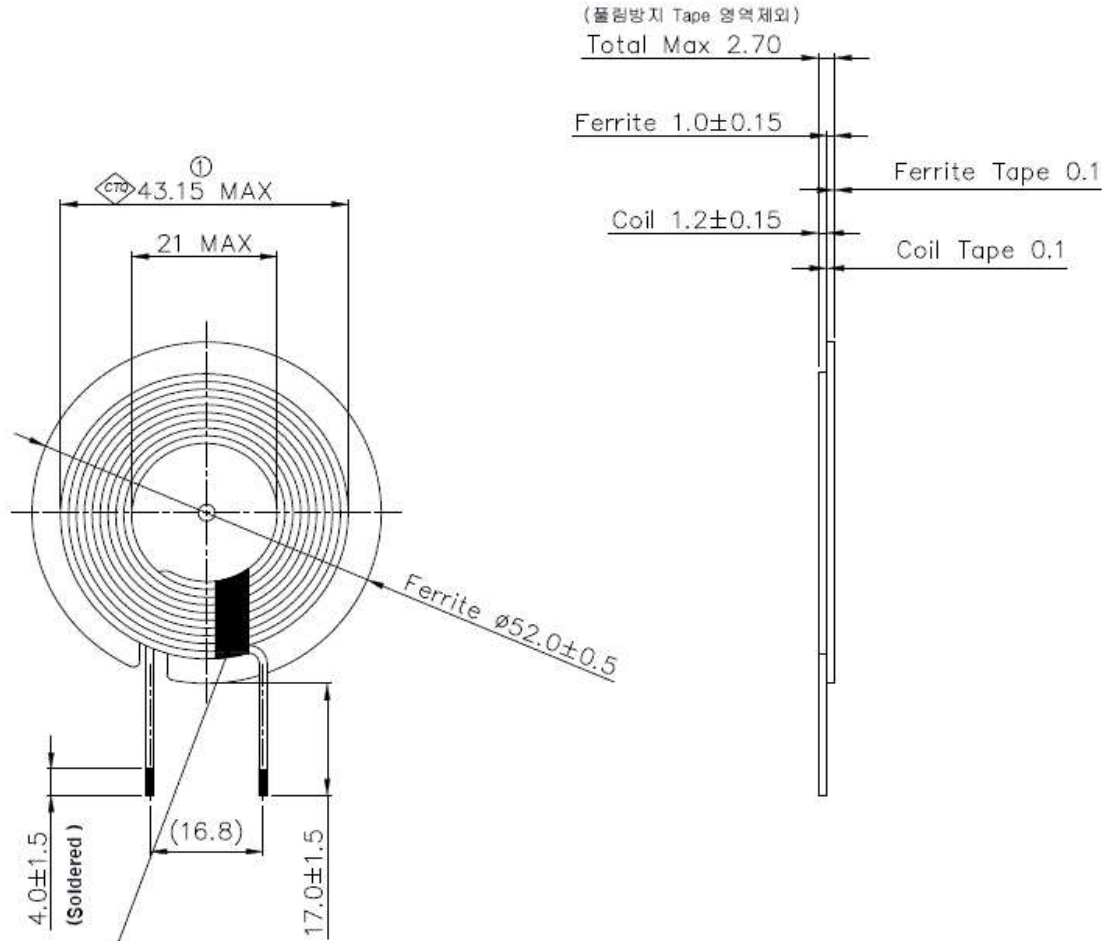
Ferrite Core SPECIFICATIONS



NOTE
Ferrite : MnZn

MARK	DATE	DETAIL OF REVISION	CHECKED	APPROVED
APPROVED			TITLE PT5201	
CHECKED				
DESIGNED	2018.05.08			
DRAWN	2018.04.12	J.R.SON	TODA ISU Corporation	
SCALE N.S	MAT'L	SIZE		
			DWG Rev.	1.1

ASSMBLY SPECIFICATINS



폴림방지 TAPE
(작업성에 따라 형상 변경 허용)

NOTE
Wire : USTC 0.08*105p 10Ts(1Layer)
Ferrite : MnZn

△				
△				
MARK	DATE	DETAIL OF REVISION	CHECKED	APPROVED
APPROVED			TITLE KWT-15W-A11_ASSEMBLY	
CHECKED				
DESIGNED	2018.05.08			
DRAWN	2018.04.12	J.R.SON	TODA ISU Corporation	
SCALE N.S	MAT'L	SIZE		
⊙			DWG Rev.	1.1