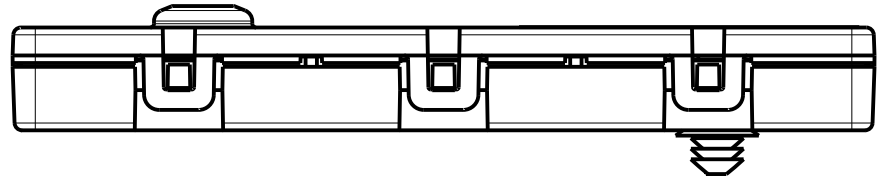


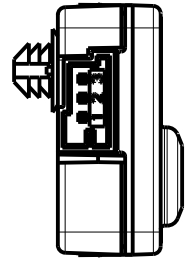
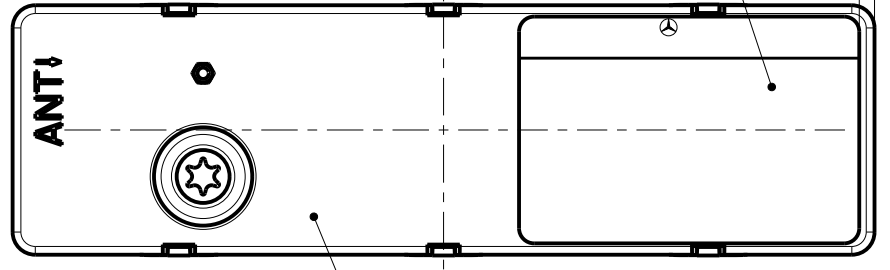
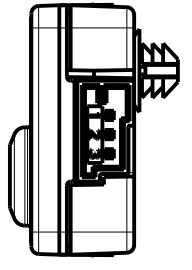
COPYRIGHT RESERVED Continental AG 2020
 PROTECTION REMARK ACCORDING ISO 9006 - THE REPRODUCTION, DISTRIBUTION AND UTILIZATION OF THIS DOCUMENT
 AS WELL AS THE COMMUNICATION OF ITS CONTENTS TO OTHERS WITHOUT EXPLICIT AUTHORIZATION IS PROHIBITED.
 OFFENDERS WILL BE HELD LIABLE FOR THE PAYMENT OF DAMAGES.
 ALL RIGHTS RESERVED IN THE EVENT OF GRANT OF A PATENT. UTILITY MODEL OR DESIGN.

Only valid with approve-stamp
 printed:

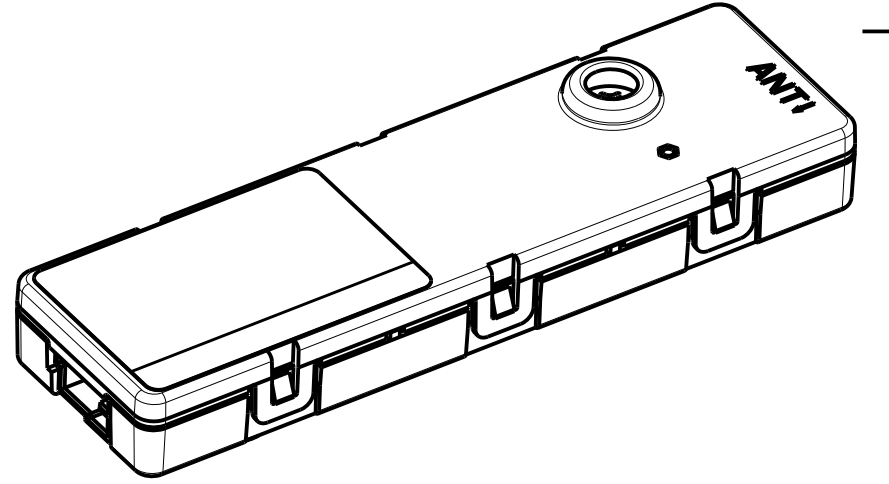
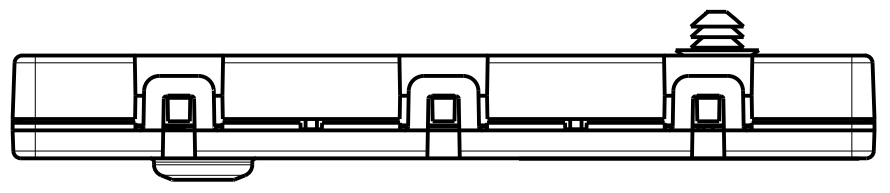


93220068
 consider orientation
 centrally affixed
 surface must be free of dust and grease
 processing temperature more than 20°C

2±1



16810025



3D Model	50120012_ZV_315_JPN			Surface/ Surface No.		[mm ²]
Status	21-RELEASED			b.1		
Drawing	50120012_ZV_315_JPN					[mm ²]
Status	21-RELEASED			b.1		
				General Tolerance	Weight (g)	Material/ Material No.
					38	
					CAD System Creo 2.0	
					Dimensions in mm	Description
				Date	Name	Amplifier RKE 315 JPN
				Creator initial	12.11.19	Hauck
				Approve initial	06.08.20	Stuffer
b	DC001910	06.08.20	Hauck			Part Name
a	DN001726	05.12.19	Hauck			Amplifier RKE 315 JPN
Index	Change Number	Date	Name	Continental		Part Number
						50120012
						Scale
						1:1
						Sheet
						1/1
						Format A3