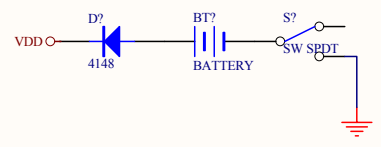
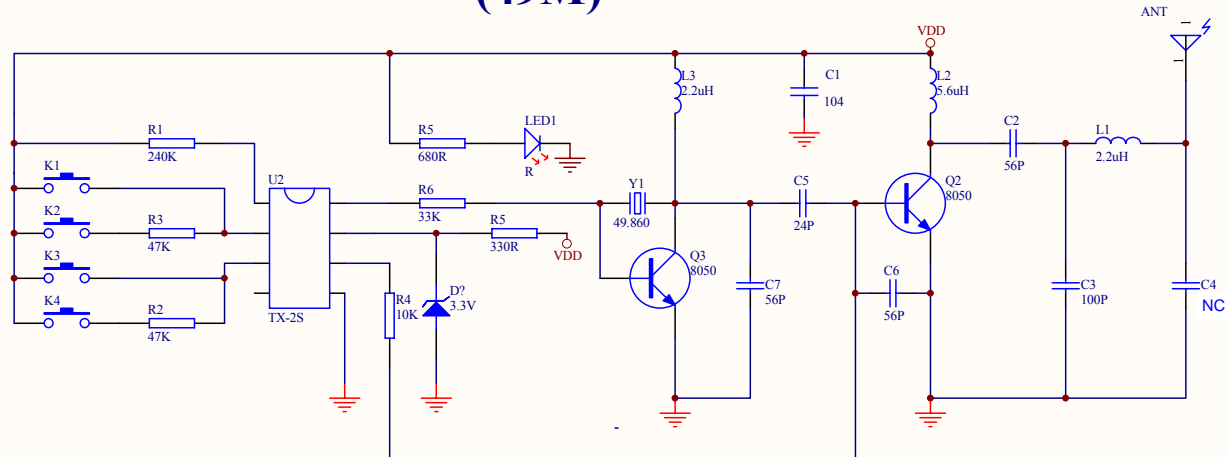


(49M)



Title		
Size A4	Number	Revision
Date: 2-May-2017	Sheet of	
File: E:\PCB文件\铜莱达.DDB	Drawn By:	