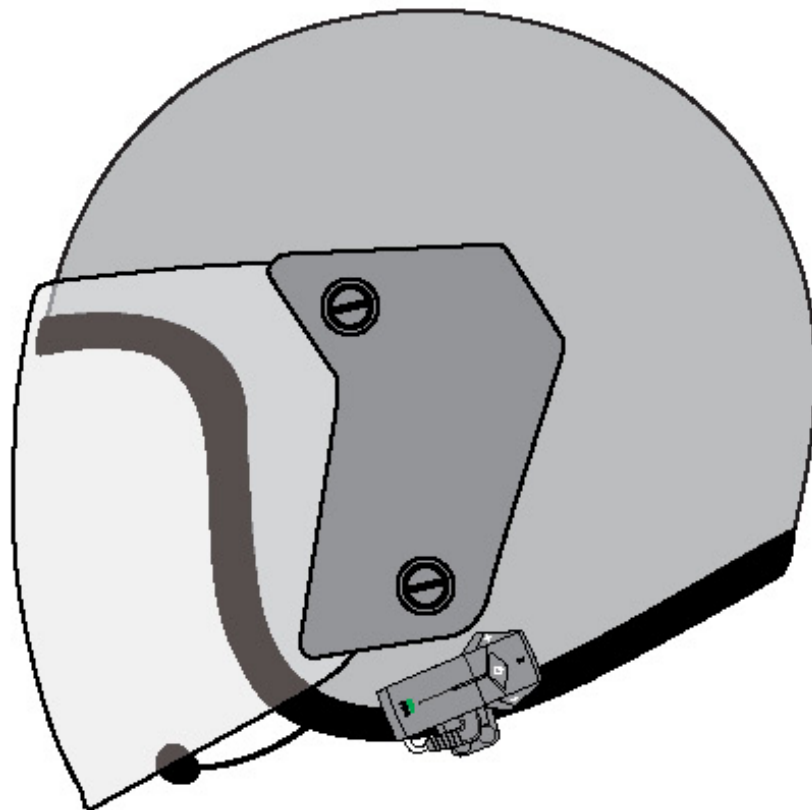


Helmet BT Intercom Kit

INSTRUCTION MANUAL



Model Number:COLO

Contents:

Warranty Details	1
Welcome	2
General Safety Instructions	2
Motorcycle BT Product Features	3
Parts List	4
Technical Specification	4
Product Controls	5
Instructions- Fitting to your helmet	6
Pairing	8
Using the Intercom function	9
Using the phone function	10
Using the music player function	11
Troubleshooting	12
Support	13

Helmet BT Intercom Kit

Warranty Details

The product is guaranteed to be free from defects in workmanship and parts for a period of 12 months from the date of purchase. Defects that occur within this warranty period, under normal use and care, will be repaired, replaced or refunded at our discretion.

You are entitled to a replacement or refund for a major failure and for compensation for any other reasonably foreseeable loss or damage. You are also entitled to have the goods repaired or replaced if the goods fail to be of acceptable quality and the failure does not amount to a major failure.

Welcome

Congratulations on choosing to buy a FDC product. By doing so you now have the assurance and peace of mind that comes with purchasing a product made by one of the leading manufacturers. All products brought to you by FDC are manufactured to the highest standards of performance and safety and, as part of our philosophy of customer service and satisfaction, are backed by our comprehensive 1 Year Warranty. We hope you will enjoy using your purchase for many years to come.

General Safety Instructions

Read this manual thoroughly before first use and keep it in a safe place for future reference, along with the warranty card, purchase receipt and carton. The safety precautions enclosed herein reduce the risk of fire, electric shock and injury when correctly adhered to. **Follow all instructions and take notice of all warning to reduce the risk of fire or electric shock.**

- Do not remove the back of this product. There are no user serviceable parts inside this product.
- Do not repair the unit yourself. Only have it serviced by qualified personnel.
Supervise young children to ensure they do not play with the product.
- Do not submerge the product in liquids.
- Do not place the product near other items that may damage it, such as naked flame sources (lit candles) or excessive heat (Bar radiator)

WARNING: Using headphones while operating a motorcycle, motor vehicle, watercraft or bicycle can be dangerous, Use caution while using your motorcycle Helmet BT Kit when you are engaging in any activity that requires your full attention.

Motorcycle Helmet BT Kit

Product Features

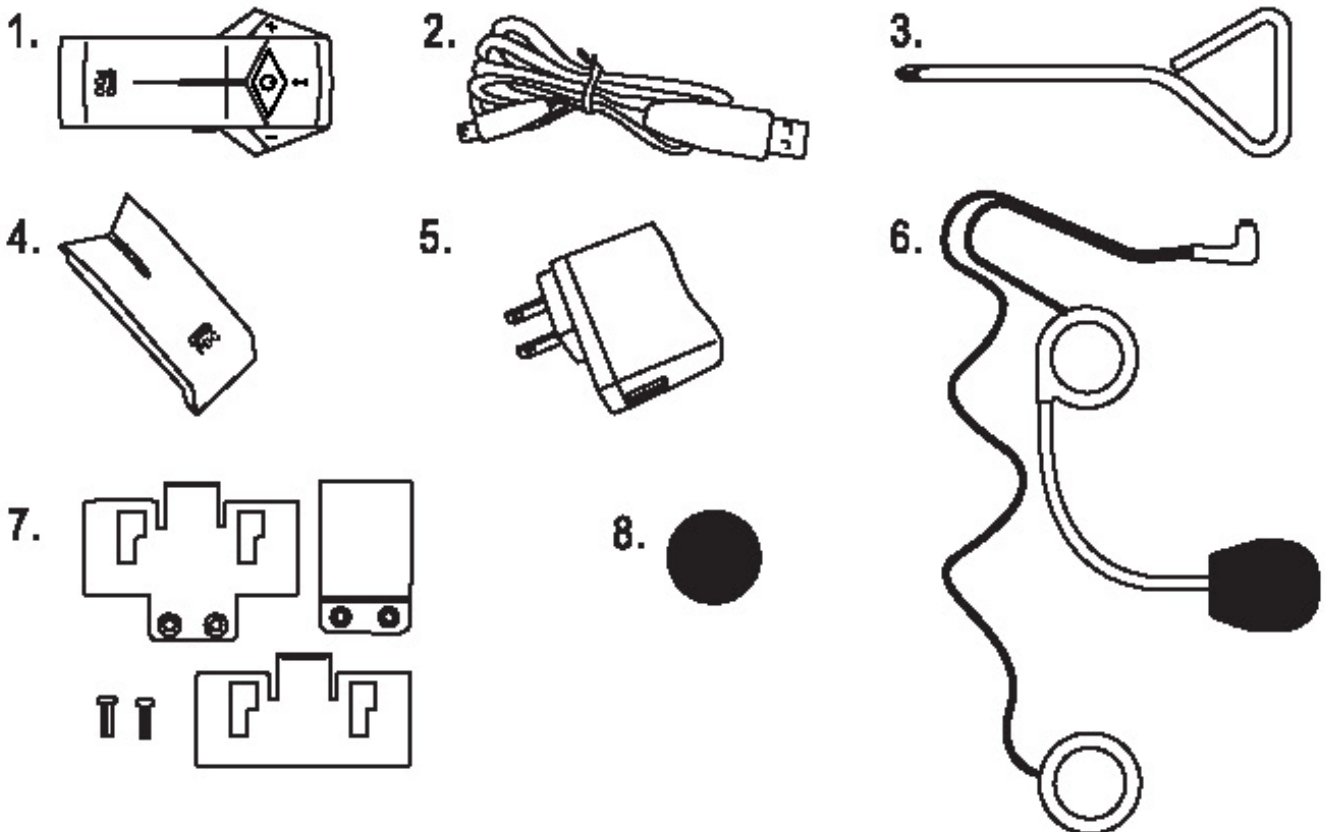
- Complete system for all your communications needs while riding your motorbike.
- The BT function will keep you connected to your mobile phone, play music and connect with BT GPS systems.
- The Intercom means you can communicate with your pillion or other riders within 1000m while you ride. With simple set up and clear sound quality you will always be in touch.
- Just touch it to an NFC compatible BT device for easy connection



Parts List

1. 1(2)×BT Receiver
2. 1(2)×USB Cable
3. 1× Screw Driver
4. 1(2)× Shells(Red or Silver)
5. 1(2)×100-240V Power Adaptor
6. 1(2)×Ear Speaker & Microphone Headset
7. Headset Clip & Fastening Screws
8. 4(8)×Felted Adhesive Earphone Pads

Note: Different country may have different power adaptor.



Technical Specifications

BT Version:2.1+EDR

Frequency:2.4GHz

Supports:A2DP and AVRCP

Supported BT Profiles:

BT Headset and Hands free Profiles with Automatic Detection

Operating Range: Up to 10m for cell phones; up to 1000m for intercom function.

Weight: 45grams(excluding accessories)

Size:90mm(L)×40mm(W)×17mm(H)

Battery Type: Rechargeable

Polymer 320mAh

Stand by: Up to 300hrs

Talk Time

-**Phone:** Up to 10 hours

-**Intercom:** Up to 5 hours

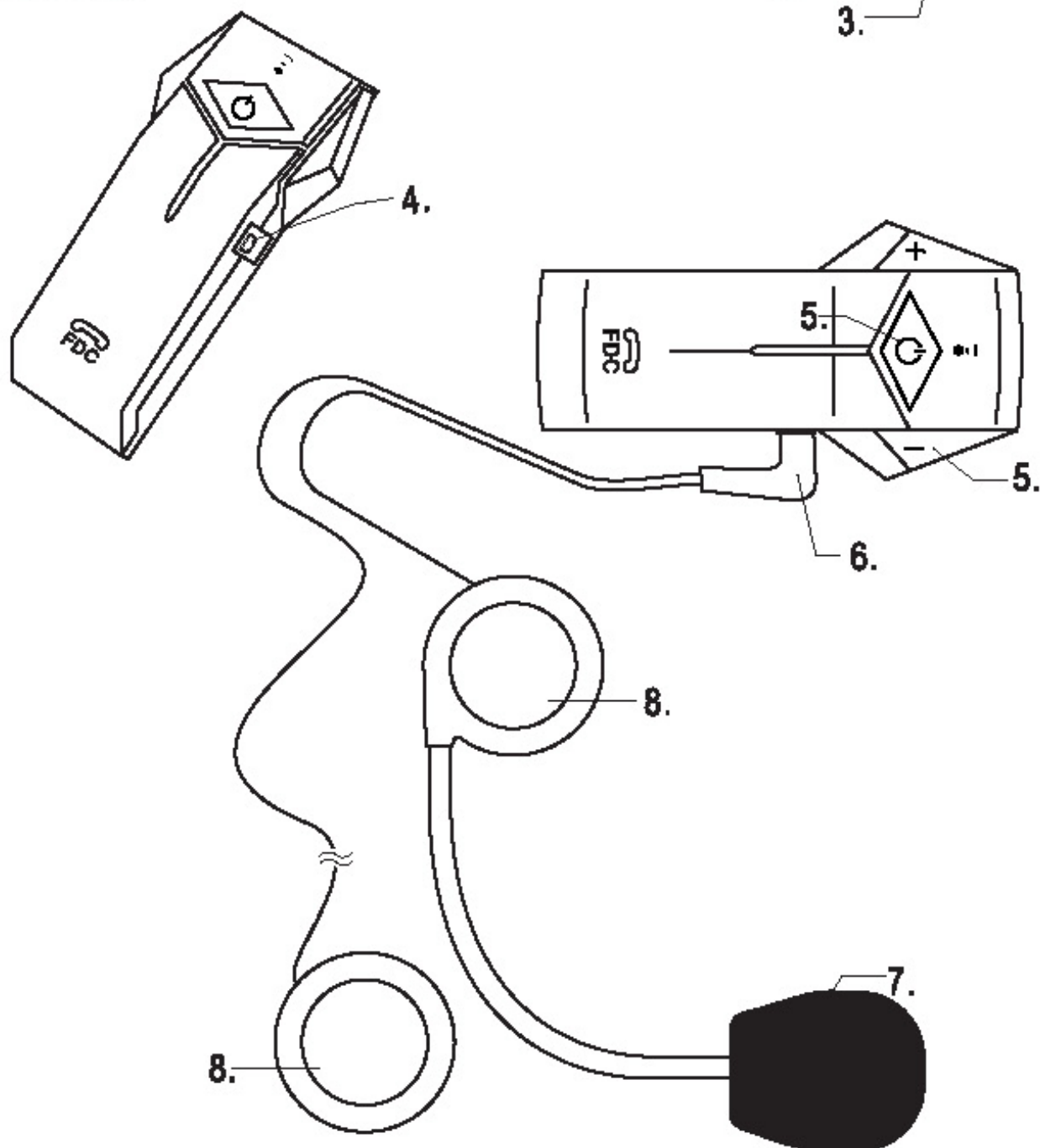
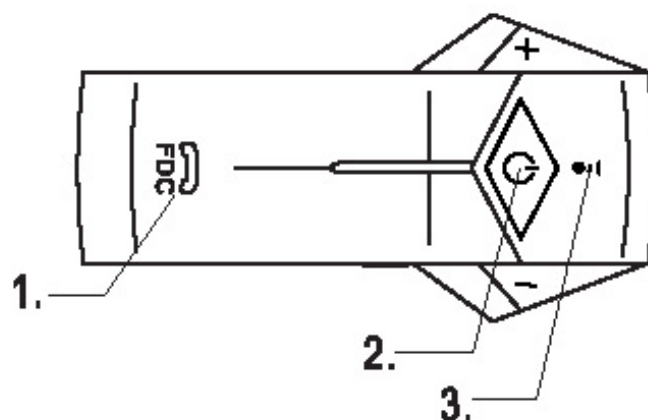
Charging Time: About 4 hours

Headset: High Power ultra slim speaker with integrated boom

Power Adaptor: DC 5V 500mA

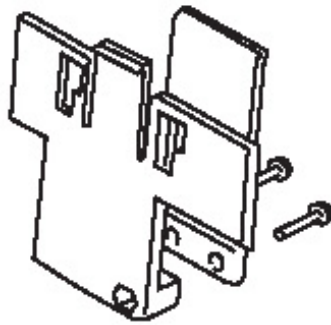
Product Controls

1. Multi-function Button(MFB)
2. Power/Intercom Button
3. NFC contact point
4. Charger and Headset Socket
5. Volume control button
6. Headset Plug
7. Microphone
8. Ear Speaker

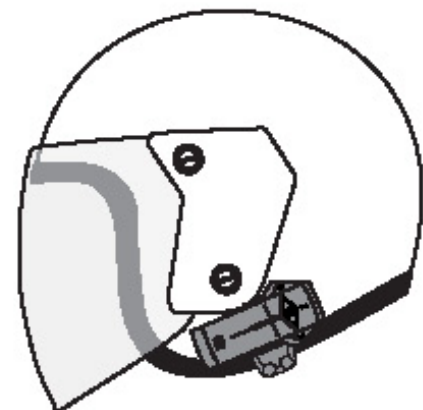
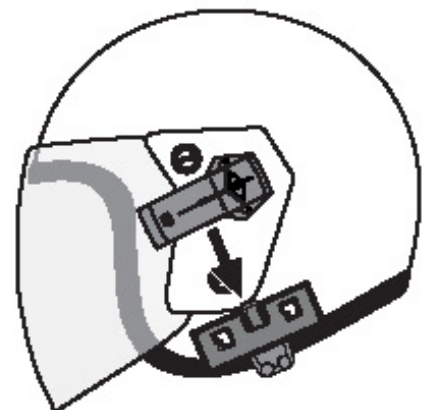
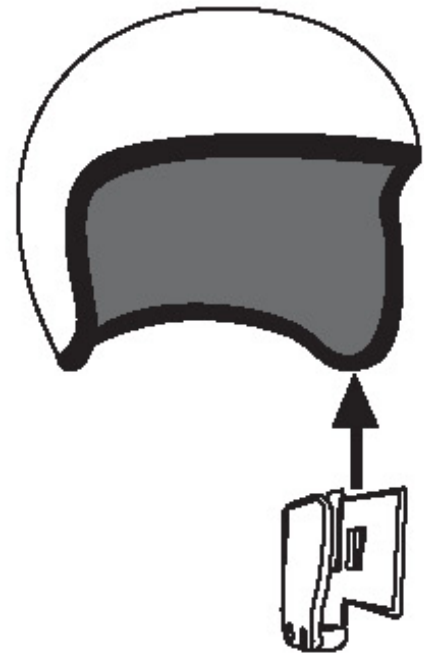


Instructions

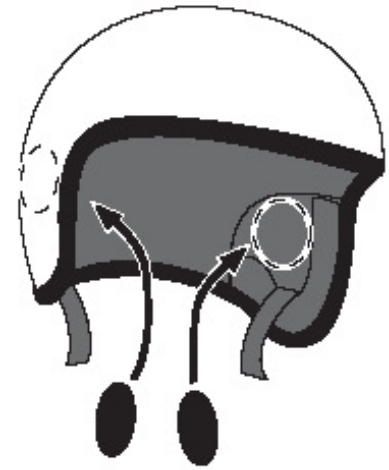
Fitting the BT receiver to your helmet



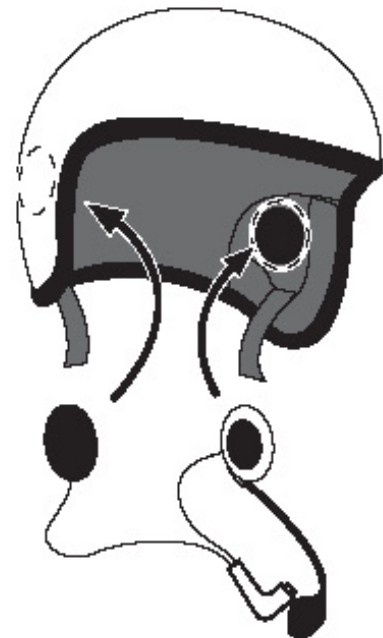
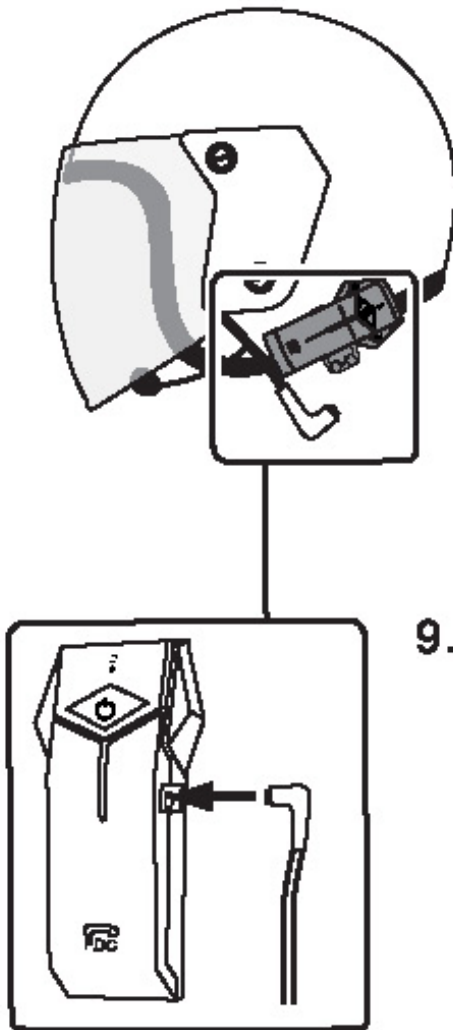
1. Using the provided screw driver, loosen the Headset Clip screws.
2. Slide the Headset Clip onto the left side of the helmet (when on your head). Take care to place the inside of the Headset Clip under the helmet padding.
3. Adjust the clip until you find the best location for your helmet. Ensure that the slots in the headset clip mount are facing away from the helmet.
4. Tighten the screws to hold the clip firmly in place. **WARNING: Excessive tightening may damage the clips.**
5. Slide the BT receiver down into the slots on the headset clip mount. Make sure that it is locked in securely.
6. To attach the ear speaker & microphone headset, test which part of the helmet will be the best location by putting your helmet on and locating the place closest to your ears. You will need to put the helmet on a few times to find the optimum position to apply the pad. When the correct position is found, remove the adhesive protective strip and apply the felted earphone pad.



7. Attach ear speaker to the felted pad. Run the microphone arm along the inside wall of the helmet, to where your mouth will be. the microphone arm is flexible and should to adjusted so it sits in the best position in front of your mouth. Some helmet have removable to run the speaker and microphone under the padding.



8. Connect the headset to the BT receiver. The plug can only be inserted in one orientation. **WARNING:** Inserting the plug backwards will cause damage to the BT receiver. Use caution when assembling.



9. Secure the cord of the headset plug inside the helmet. Tuck any extra wire into the helmet. Ensure that only few centimetres of the cord comes out.

You have successfully mounted the motorcycle helmet BT.

Charging the BT Device

Before using this device, fully charge the BT device.

1. Insert the USB plug of the charging cable into the small USB jack on the headset. Insert the other end of the charging cable into the Power Adaptor or your computer's USB port.
2. While charging, the red LED on the headset module will illuminate, when the charging is finished, the red LED will switch off. A normal charge from a low battery will take about 4 hours.

Tip: To maintain long life from the internal polymer battery, charge your device at least once each month.

Powering On and Off

1. To turn the device on, press the **Power/Intercom** Button for 3 seconds until you hear a beep. a blue light will flash quickly 3 times and then continue short flashes at regular intervals.
2. To turn the device off, press the **Power/Intercom** Button for 5 seconds until you hear a beep. The headset and LED lights will turn off.

Pairing to your BT Enabled Mobile Phone

1. Place your BT enabled phone and the BT receiver near each other (within 1m).
2. Make sure the BT receiver is turned off.
3. Press and hold down the **Power/Intercom** Button for 3 seconds to turn on the BT devices until the receiver beeps twice. The blue lights will flash. The receiver is now actively searching for BT devices.
4. Activate the BT function on your mobile phone and search for the device. You may need to refer to your phones instructions to do this.
5. Choose the BT device named **COLO** then choose to pair this device with your phone. If your phone asks for password, it is 0000.

6. The BT device will beep twice, your phone will confirm that pairing was successful.
7. This device is compatible with NFC, just touch it to the NFC compatible BT device for easy connection!

Pairing 2 devices in intercom mode

1. Place both receivers near each other(within 1m).
2. Make sure both receivers are turned off
3. Press and hold down the **Power/Intercom** button on both units at the same time for approx 8 seconds, until the receivers beep twice. The red & blue lights will flash alternately.
4. Quickly press the **Power/Intercom** button on one of the receivers. This will now search for the other receiver so they can be paired.
5. When they have successfully paired, the red & blue lights will then change to blue only(flashing)and the receiver will beep once.

Pairing 3 devices in intercom mode

1. Follow the above procedure for each combination of the three units. (A-B, A-C, B-C).
2. Firstly, pair two devices A and B as described above. Secondly, turn off A and B, pair A and C as described above. Thirdly, turn off C and A, pair B and C. At Last, Turn on A.
3. Any one of them can connect one of the two by press **Power/Intercom** button once or twice. From Standby press the **Power/Intercom** button 1 time for one of the pairings to be called, or 2 times for the other pairing to be called.
4. The pairing for 1 or 2 presses will depend on the sequence in which you paired the 3 helmets, but once paired the relevant pairings will maintain the number.

5. Pressing the **Power/Intercom** button of A 1 time to call C and 2 times to call B. Pressing the button of B 1 time to call C and 2 times to call A. Pressing the button of C 1 time to call B and 2 times to call A.

To start a conversation via intercom

1. Once the two headsets are paired with each other, press the **Power/Intercom** button on either receiver to begin.
2. Use the **Volume control** button to increase or decrease the headset volume. Tip: You only need to press the **Power/Intercom** button once to establish a connection; conversation between the two paired headsets can now be carried out hands free.

To end a conversation via intercom

1. Press the **Power/Intercom** button on either of the receiver.
Tip: If the intercom headset is also paired with a mobile phone, the intercom conversation will be automatically disconnected to answer the phone when there is an incoming call. The Intercom function will resume once the has ended.

To answer an incoming mobile phone call

1. Press the **Multi-function** button on the receiver while the phone is ringing.
2. Use the **Volume control** button to increase or decrease the headset volume.

Tip: The incoming call will answer automatically once the phone has rung for 8 seconds.

Rejecting a mobile phone call

1. When you hear the phone ringing, immediately press and hold the **Multi-function** button on the headset until you hear a beep.

Ending a mobile phone call

1. Press the **Multi-function** button to end the call.

Redial the last number

1. Press and hold the **Multi-function** button for 2 seconds or until it beeps. It will then dial you last number called.

To Play Music via BT Mp3 Player

If you are using a dedicated Mp3 player, the player must be a BT enable device and be paired your Motorcycle BT receiver.

1. Select music to play directly from your music device (check your Mp3 player instructions for how to do this).
2. **Play** music through the headset press the **Multi-function** button once.
3. **Pause** music press the **Multi-function** button again.
4. **Skip** songs forward by quickly press the **Volume control** button +.
5. **Rewind** songs backward by quickly press the **Volume control** button -.
6. **Volume Up** By press the **Volume control** button + and holding until the volume is at the right level.
7. **Volume Down** by press the **Volume control** button - and holding until the volume is at the right level.

Tip: To improve the performance of your headset, make sure the volume is set to the highest on your music device.

To Answer A Call While Listening to Music

1. Calls will automatically come through the headset while music is playing. To reject a call hold the **Multi-function** button down until you hear a beep.
2. Music will hold over the call duration and resume automatically once the call has ended.

To Use Voice Dialing Function

If your mobile have voice dialing function, you can press **Multi-function** button twice to dial by voice.

Tips & Troubleshooting

Problem	Solution
The BT Receiver has no power	The headset must be charged for at least 4 hours prior to first use. Refer to Charging the BT Device on page 8 for further details
My helmet is uncomfortable to wear after fitting the speaker	The placement of the speakers within the helmet may require repositioning. Two additional felted adhesive earphone pads are supplied for this purpose. Note: Some helmets have removable padding; if yours does, it is recommended to run the speaker and microphone under the padding.
My Phone wont pair with the BT Receiver.	Activate the BT function on your mobile phone and search for the device, which will show up as COLO on the Device List, Refer to your phones instructions to do this. Refer to Pairing to your BT Enabled Mobile Phone on page 8 for further details.
The audio reception breaks down	BT enabled device are susceptible to occasional interference from other common devices such as GPS units, laptops, alarms and Wifi routers etc. Move away from potential sources of interference if you are experiencing problems.
I can't hear my music/incoming calls	Check the volume on the attached device. Setting your phone or Mp3 player to the maximum volume usually resolves this issue.

Support

For additional support including helpful guides and videos, visit the FDC support website at www.fdcdz.com

Telephone: 0086 755 29920664
Email: ylhaljun@fdcdz.com
Website: www.fdcdz.com

Shenzhen FDC Electronic Co., Ltd
Wanlihua Industrial Park, Gushu 2nd Road, Xixiang Street,
Baoan District, Shenzhen City, Guangdong Province, China
ZIP Code: 518128

Agency Information

Federal Communications Commission (FCC) Statement

This device complies with part 15 of the FCC Rules. Operation is subject to the following two conditions: (1) This device may not cause harmful interference, and (2) this device must accept any interference received, including interference that may cause undesired operation.

Note: This equipment has been tested and found to comply with the limits for a Class B digital device, pursuant to part 15 of the FCC Rules. These limits are designed to provide reasonable protection against harmful interference in a residential installation. This equipment generates, uses and can radiate radio frequency energy and, if not installed and used in accordance with the instructions, may cause harmful interference to radio communications. However, there is no guarantee that interference will not occur in a particular installation. If this equipment does cause harmful interference to radio or television reception, which can be determined by turning the equipment off and on, the user is encouraged to try to correct the interference by one or more of the following measures:

- Reorient or relocate the receiving antenna.
- Increase the separation between the equipment and receiver.
- Connect the equipment into an outlet on a circuit different from that to which the receiver is connected.
- Consult the dealer or an experienced radio/TV technician for help.

Warning: Changes or modifications made to this device not expressly approved by **ShenZhen FreedConn(FDC) Electronics Co., Ltd** may void the FCC authorization to operate this device.

Note: The manufacturer is not responsible for any radio or tv interference caused by unauthorized modifications to this equipment. Such modifications could void the user's authority to operate the equipment.