

# Signal earphones

## Model: 140342-00

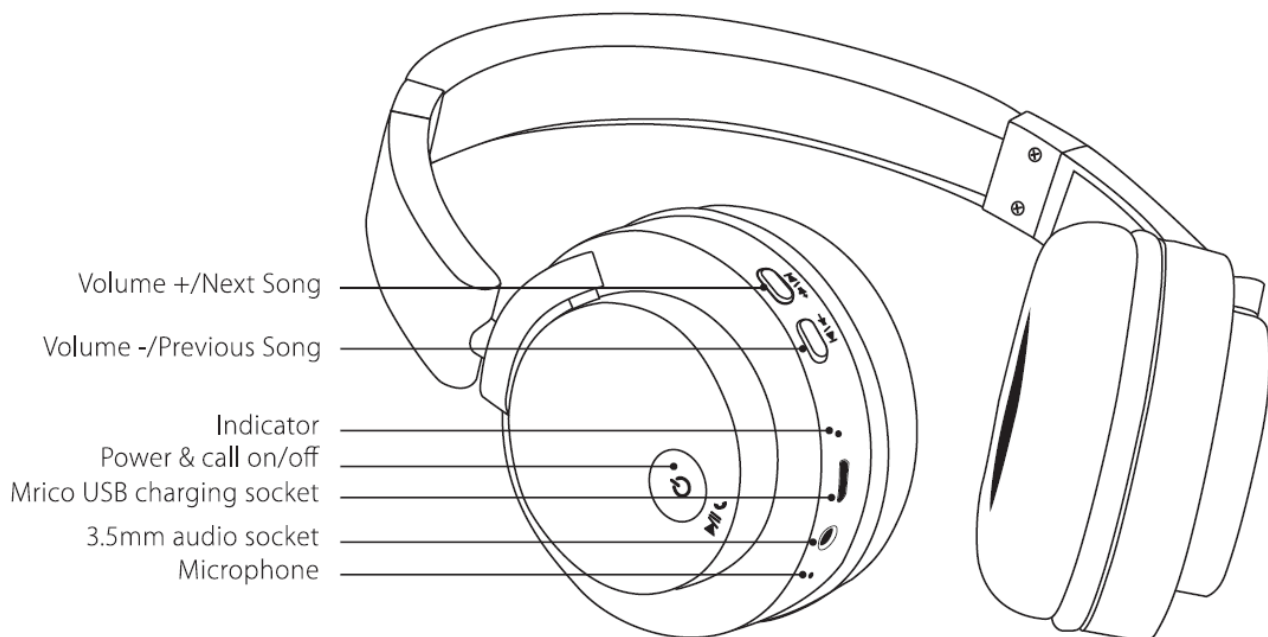
### Manual

Congratulations and thanks for your use of our earphones. In order to handle exactly and develop its potential superior performance, please read this manual before using it. The gorgeous design of this product has got fashion, individuality, beautiful generous appearance and pure sound. Besides, its design with folding design can bend freely, be convenient to storage and carry, reduce the size so as to save space. It will make you enjoy excellent music at anytime and anywhere, no matter you are resting at home, travelling out door, or are working for business. Meanwhile, this headphone provides perfect sound quality for your tablet PCs, mobile phones, digital music players and other wide range of audio-visual products and shows her amazing beauty!

#### **Keys and Parts**

The headset contains the following parts:

- Headset\*1,
- Audio cable\*1,
- Charging cable\*1,
- Manual\*1



#### **Switch On**

Press and hold the Power key (MFB) about 5 seconds, the headset is under Bluetooth searching mode (red / blue light flashes quickly and alternately and there is a prompt tone). Press and hold the power key for 3 seconds, it will come into reconnection mode.

#### **Switch Off**

To switch off, press and hold the Power key about 3 seconds. If the headset is not connected to a device within 10 minutes, it switches off automatically.

#### **Pairing**

- 1.Ensure that your phone or Bluetooth device is switched on.
- 2.To pair the headset that has not been previously paired with a device, please switch on the headset. Then, the headset enters the pairing mode, and the blue indicator light starts to flash quickly. To pair the headset that has been previously paired with another device, please make sure that the device is switched off.
- 3.Activate the Bluetooth on your phone or Bluetooth device, and set it to searching Bluetooth device.
- 4.Select “TYPO HEADPHONES” from the list of found devices on your phone or Bluetooth devices.
- 5.When Bluetooth is paired successfully, there will be prompt tone and the blue light turns to lighting continuously.

The headset that has been previously paired with another device will automatically connect with the device if the device is power on and within connecting range. If not, the headset will enter standby mode and the blue light will keep lighting. Under Bluetooth searching mode or re-connecting mode, the headset will switch off the Bluetooth automatically after 10 minutes.

### **Adjust the Volume**

The volume will be up or down when long press the volume +/- key during a calling or while listening to music. When the volume reaches to maximum, there is a warning tone.

### **Charge the Battery**

The headset contains a Micro USB cable that can be connected to your computer or other device made for USB charging. Please plug the Micro USB end of the included USB cable into the USB micro port charger connector under the left ear-cap of the headphone, and plug the other end into a USB port on your computer or other devices made for USB charging. The indicator light will be red while charging. Once fully charged, the indicator light will turn off. Charge time is two hours and half on an empty battery. The fully charged battery has power for up to 6 hours talking and/or music time (and up to 160 hours standby time).

The headset is with built-in lithium ion battery. Please keep at least 4 hours full charge before first time of use (Suggestion: Don't use the car charger at first time).

### **Application**

BT Headphone can make and receive hands-free calls with your compatible mobile phone, and listen to music from a compatible Bluetooth device, but they should be within 10 meters (33 feet) of each other and barrier free between them.

The headset is compliant with the Bluetooth Specification 4.2, support the following profiles: Headset Profile (HSP) V1.6, Hands-free Profile (HFP) V1.5, Advanced Audio Distribution Profile (A2DP) V1.0, and Audio Video Remote Control Profile (AVRCP) V1.4. Input Rating: 5V DC, 0.5A.

### **Calls**

To answer or end a call, when phone call comes, quickly press the phone key to answer it and long press about 1.5 seconds to reject the call. Call is ended when short press during a call.

### **Listen to Music**

To listen to music, connect the headset to phone or compatible Bluetooth devices that support A2DP Bluetooth profile. The available music functions depend on your Bluetooth devices. If you receive or make a call while listening to music, the music is paused until the call ends.

To play a song, select in the music player and press the Play/Pause key on the BT Headphone.

To pause or resume playing a song, press the Play/Pause key.

To select the next song during playback, press the volume down key quickly.

To select the previous song, press the volume up key quickly.

To increase the volume, press and hold the volume up key, there will be beep tone when reaching Max volume.

To decrease the volume, press and hold the volume down key. (Until mute)

### **Disconnect the headset**

To disconnect the headset from your device, switch off the headset, or disconnect it in Bluetooth menu of your device.

### **Reconnect the Headset**

To connect the headset to the phone or Bluetooth devices that you have last used with it, Press and hold the power key for 3 second, the headphone will switch on and connect with the devices or phone automatically.

### **Passive model**

You can use BT Headphone as a wired headphone. Simply connect the headset to your MP3 player with 3.5mm audio cable. Inserting an audio cable plug disables the wireless functionality.

### **Caution:**

1. The long time high level sound will damage your hearing. Please avoid using in high level volume especially in long time using.
2. Please turn off the headset and put it into box to avoid damage, scratches or bracket deformation when long time no use. In order to prolong the battery service life, please charge every 6 months.
3. Please charge at first if the headset is left unused for long time.
4. The battery of headset is original and please don't change it by yourself.
5. Please keep the headset under dry place.
6. The operating temperature is 5°C to 35 ° C. Please don't put the headset into fire to avoid battery blast accident.
7. Please don't bent or twist the bracket to avoid deformation.
8. Please don't tear down ear-cap by un-professional person.
9. Audiologist suggests not adjusting the volume to a very high level and continued play. If tinnitus occurs, please turn the volume down or stop playing, do not turn the volume up suddenly. Please slowly turn up the volume to avoid hearing damage caused by high volume.
10. Do not use the headset in dangerous place or place where cannot hear the outside sound.

### **Specifications**

|                          |                             |
|--------------------------|-----------------------------|
| Driver unit              | 40mm Neodymium              |
| Impedance                | 32Ω                         |
| Driver unit Frequency    | 20Hz-20K Hz                 |
| Driver unit Sensitivity  | 105dB±3dB                   |
| Microphone Sensitivity   | -58dB                       |
| Bluetooth edition        | Bluetooth V4.2              |
| Radio Frequency coverage | 2.402GHZ~2.480 GHZ ISM Band |
| Transmit Range           | ≤10m (barrier free)         |

|   |  |
|---|--|
| Status Indication                         | LED red and blueindicator  |
| Pairing products                          | Bluetooth computer with HFP, A2DP, AVRCP Bluetooth protocol, USB Bluetooth adapter, Bluetooth cell phones, etc., |
| Battery                                   | Rechargeable lithium ion battery, 3.7V, 250mAh   |
| Charge                                    | Computer USB interface, output DC 5V/300mA charger   |
| Charging Time                             | 2.5 hours  |
| Working Time                              | Up to 8 hours  |
| Standby time (paired with mobile standby) | Up to 200 hours  |

#### FCC Statement

This device complies with Part 15 of the FCC rules. Operation is subject to the following two conditions: 1) this device may not cause harmful interference, and 2) this device must accept any interference received, including interference that may cause undesired operation.

Note: This equipment has been tested and found to comply with the limits for a Class B digital device, pursuant to part 15 of the FCC Rules. These limits are designed to provide reasonable protection against harmful interference in a residential installation. This equipment generates uses and can radiate radio frequency energy and, if not installed and used in accordance with the instructions, may cause harmful interference to radio communications. However, there is no guarantee that interference will not occur in particular installation. If this equipment does cause harmful interference to radio or television reception, which can be determined by turning the equipment off and on, the user is encouraged to try to correct the interference by one or more of the following measures:

- Reorient or relocate the receiving antenna.
- Increase the separation between the equipment and receiver.
- Connect the equipment into an outlet on a circuit different from that to which the receiver is connected.
- Consult the dealer or an experienced radio/TV technician for help.

Changes or modifications not expressly approved by the party responsible for compliance could void the user's authority to operate the equipment.

#### FCC Radiation Exposure Statement

This device complies with FCC RF radiation exposure limits set forth for an uncontrolled environment. This transmitter must not be co-located or operating in conjunction with any other antenna or transmitter.