

6

5

4

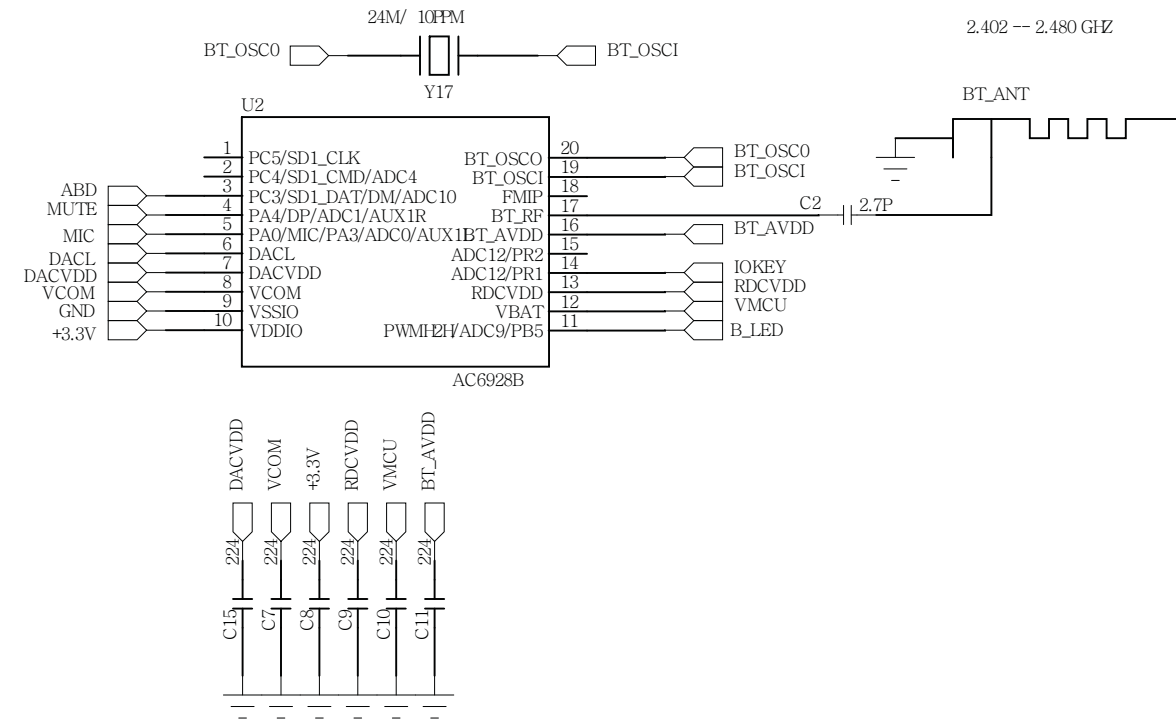
3

2

1

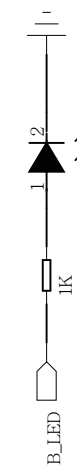
REVISION RECORD			
LTR	ECO NO:	APPROVED:	DATE:

AC6928B

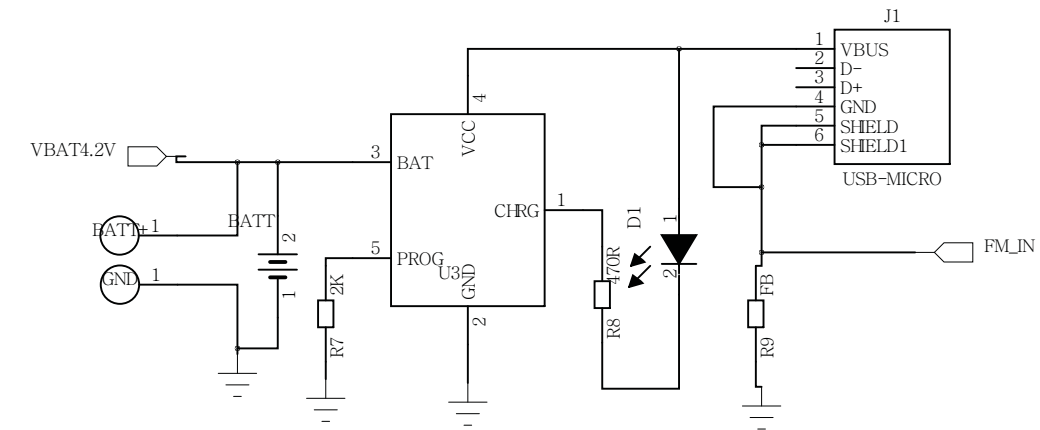


BT_MCU

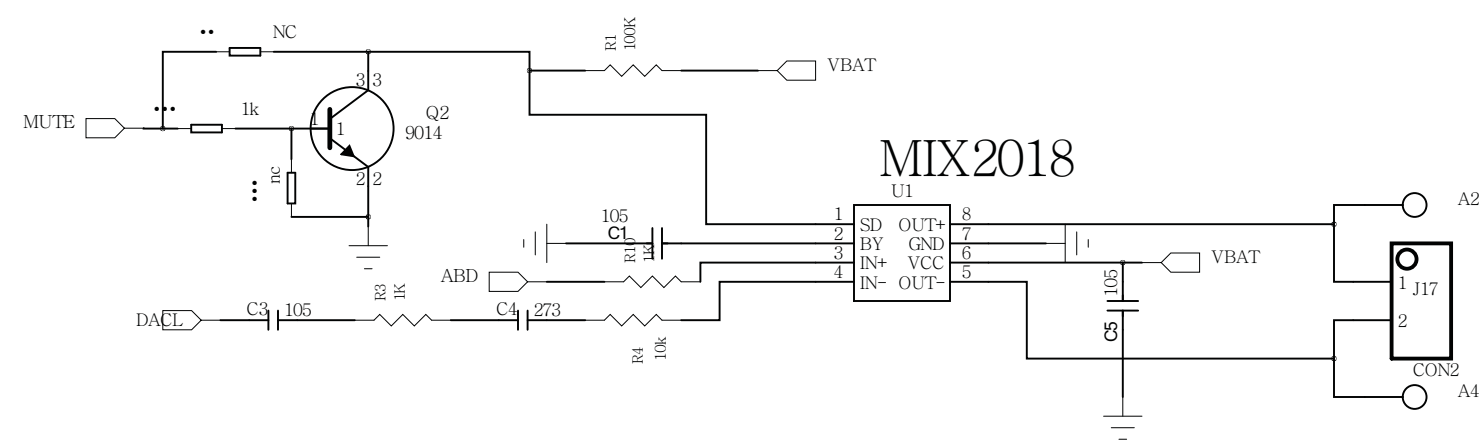
LED



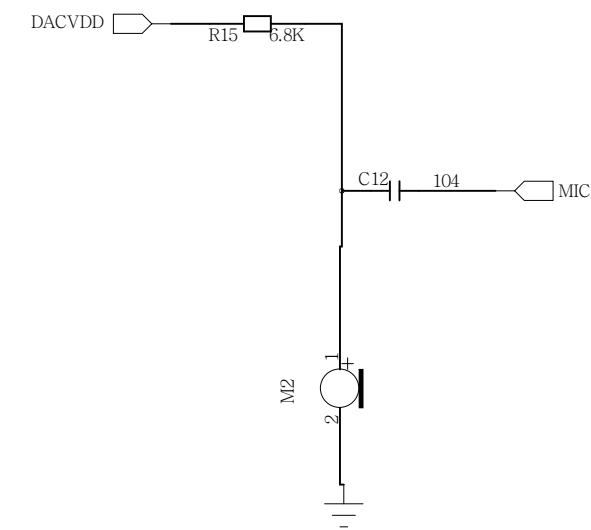
KEY



CHARGE



AMP



MIC

DRAWN: <Drawn By>	DATED: <Drawn Date>
CHECKED: <Checked By>	DATED: <Checked Date>
QUALITY CONTROL: <QC By>	DATED: <QC Date>
RELEASED: <Released By>	DATED: <Release Date>

COMPANY: <Company Name>			
TITLE: <Title>			
CODE: <Code>	SIZE: C	DRAWING NO: <Drawing Number>	REV: <Revision>
SCALE: <Scale>			SHEET: 1 of 1