

## Antenna specifications

### Electrical Characteristics Description

<b>Model:</b>	Monaco antenna		
<b>Transmitter Frequency:</b>	2400MHz-2483.5MHz		
<b>Receiver Frequency:</b>	1170 MHz -1180 MHz、 1570MHz-1580MHz、 2400MHz-2483.5MHz		
<b>Antenna information:</b>	<b>Antenna Name</b>	<b>Model(s)/Type(s)</b>	
	RF Antenna Assembly	Model/Part Number:	Monaco
		Manufacturer:	Anhui Huami Information Technology Co., Ltd. 7/F, Building B2, Huami Global Innovation Center, No. 900, Wangjiang West Road, High-tech Zone, Hefei City, Anhui Pilot Free Trade Zone China
		Frequency Range:	1170 MHz -1180 MHz, 1570MHz-1580MHz, 2400MHz-2483.5MHz
		Connector Type/ Maximum Gain	-8.09dBi
		Antenna Type/ Pattern:	Metal Case
		Antenna Size	NA
		Measurement:	NA

## Dimensions

Dimensions Fig:

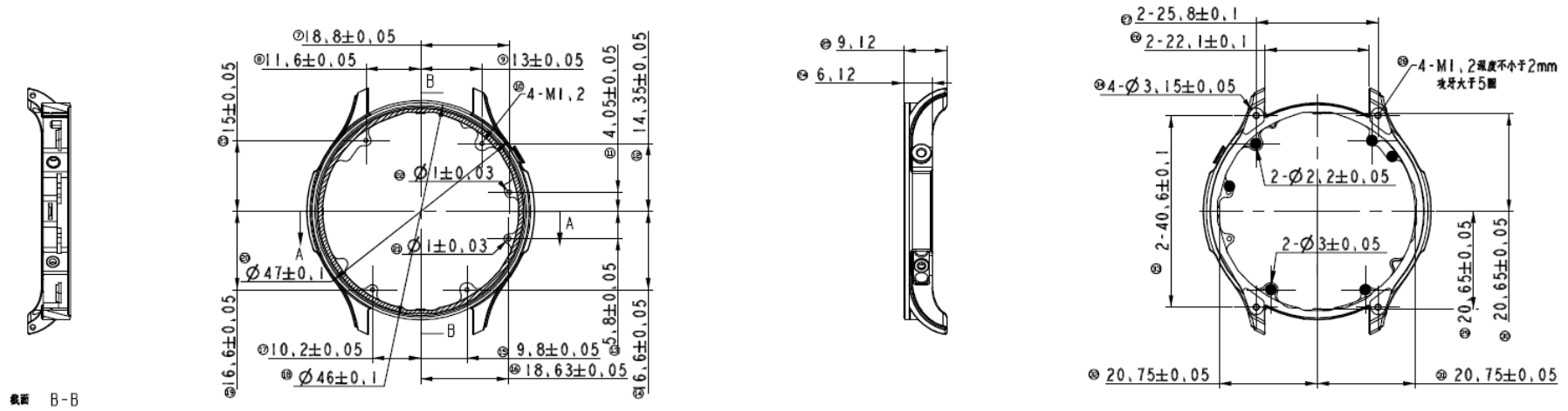


Fig. 1 Antenna Dimensions

## Electrical Performance

S11 parameter-GPS L1 test result as Fig.2.

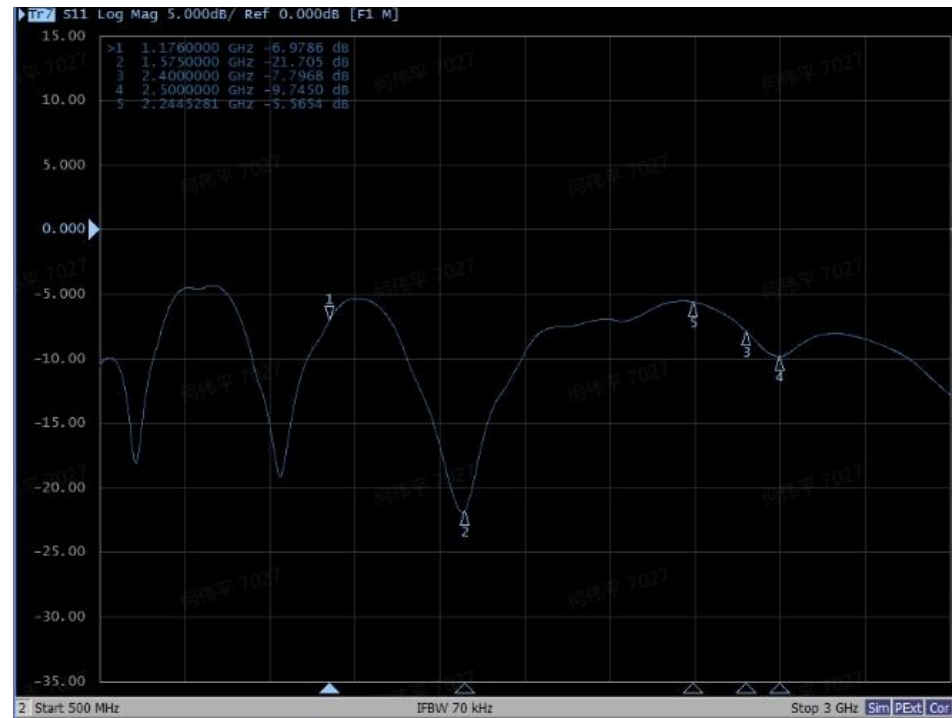


Fig. 2 S11 Parameter-GPS L1/L5 and BT test result

Table 1 shows the emission efficiency and the maximum gain of the antenna at different frequencies changes. The antenna radiation pattern diagram show in Fig.4.

---

1155	-16.43	2.27	-11.08
1165	-16.75	2.12	-11.36
1175	-17.02	1.99	-11.76
1185	-17.12	1.94	-11.99
1195	-17.12	1.94	-12.24
1205	-16.91	2.04	-12.24
L5			
1545	-12.62	5.47	-6.64
1555	-12.62	5.48	-6.72
1565	-12.58	5.53	-6.62
1575	-12.48	5.64	-6.5
1585	-12.41	5.74	-6.57
1595	-12.27	5.92	-6.43
1605	-11.95	6.38	-6.21
1615	-11.91	6.43	-6.38
1625	-11.77	6.66	-6.37
L1			
2400	-14.07	3.92	-8.6
2410	-14.16	3.83	-8.69
2420	-14.21	3.79	-8.89
2430	-14.23	3.78	-8.81
2440	-14.31	3.71	-8.81
2450	-14.37	3.65	-8.73
2460	-14.39	3.64	-8.67
2470	-14.34	3.68	-8.43
2480	-14.2	3.8	-8.09
2490	-14.14	3.85	-7.94
2500	-14.25	3.76	-8
BT			

Table 1Max. Gain and Efficiency Vs. Frequency

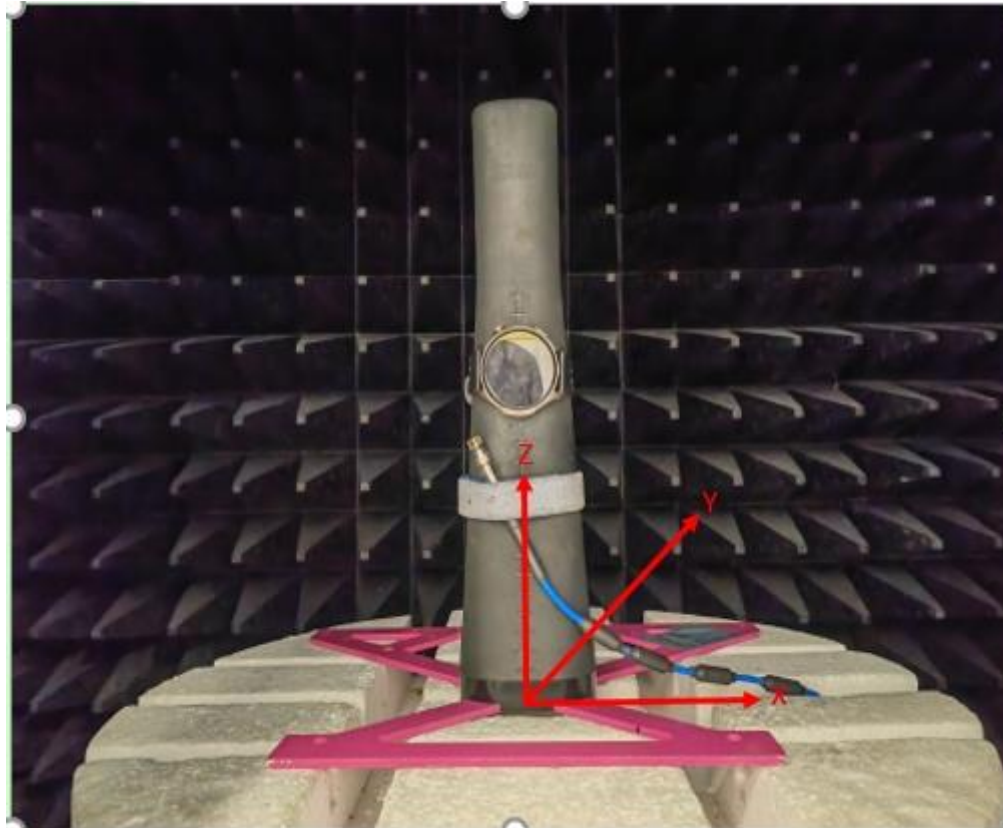
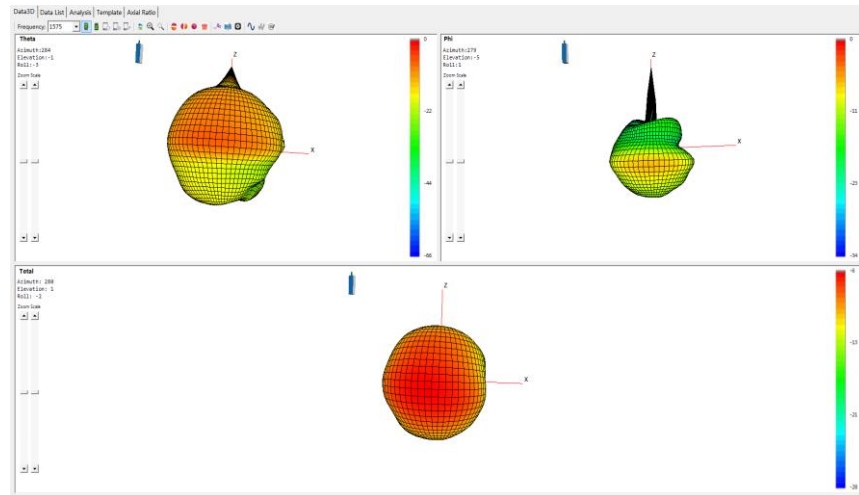
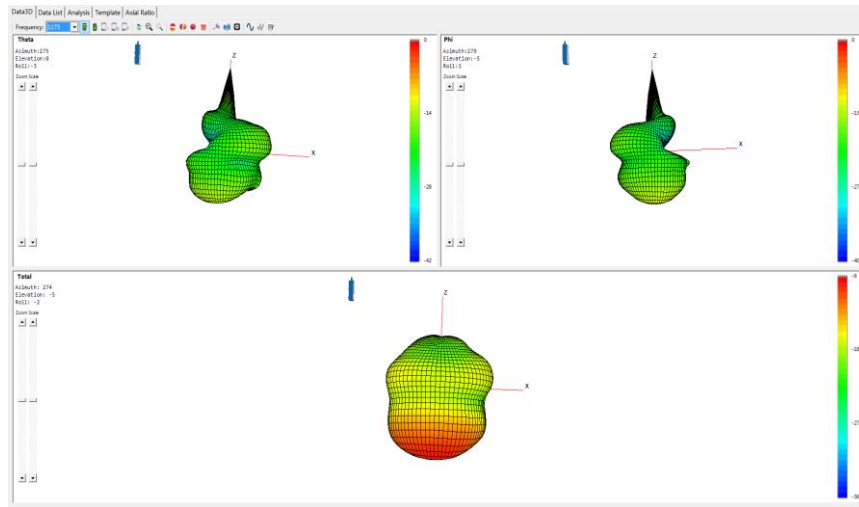


Fig. 3 Operating diagram



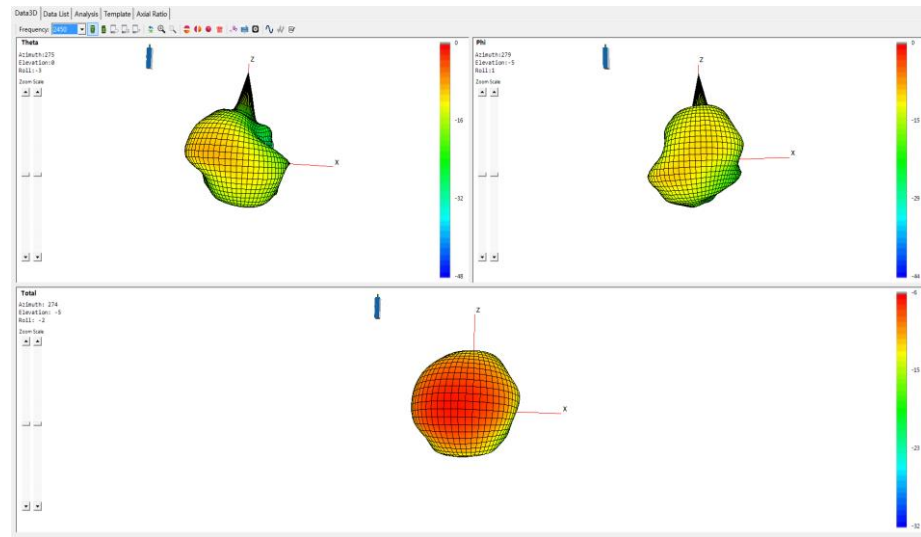


Fig. 4 antenna radiation pattern diagram