

Antenna specifications

Electrical Characteristics Description

Model:	Florence antenna		
Transmitter Frequency:	2400MHz-2483.5MHz		
Receiver Frequency:	1170 MHz -1180 MHz、 1570MHz-1580MHz、 2400MHz-2483.5MHz		
Antenna information:	Antenna Name	Model(s)/Type(s)	
	RF Antenna Assembly	Model/Part Number:	Florence
		Manufacturer:	Anhui Huami Information Technology Co., Ltd.
		Frequency Range:	1170MHz-1180MHz、 1570MHz-1580MHz 2400MHz-2483.5MHz
		Connector Type/ Maximum Gain	-5.2dBi
		Antenna Type:	Slot Antenna
		Antenna Size:	See below dimensions

Dimensions

Dimensions Fig:

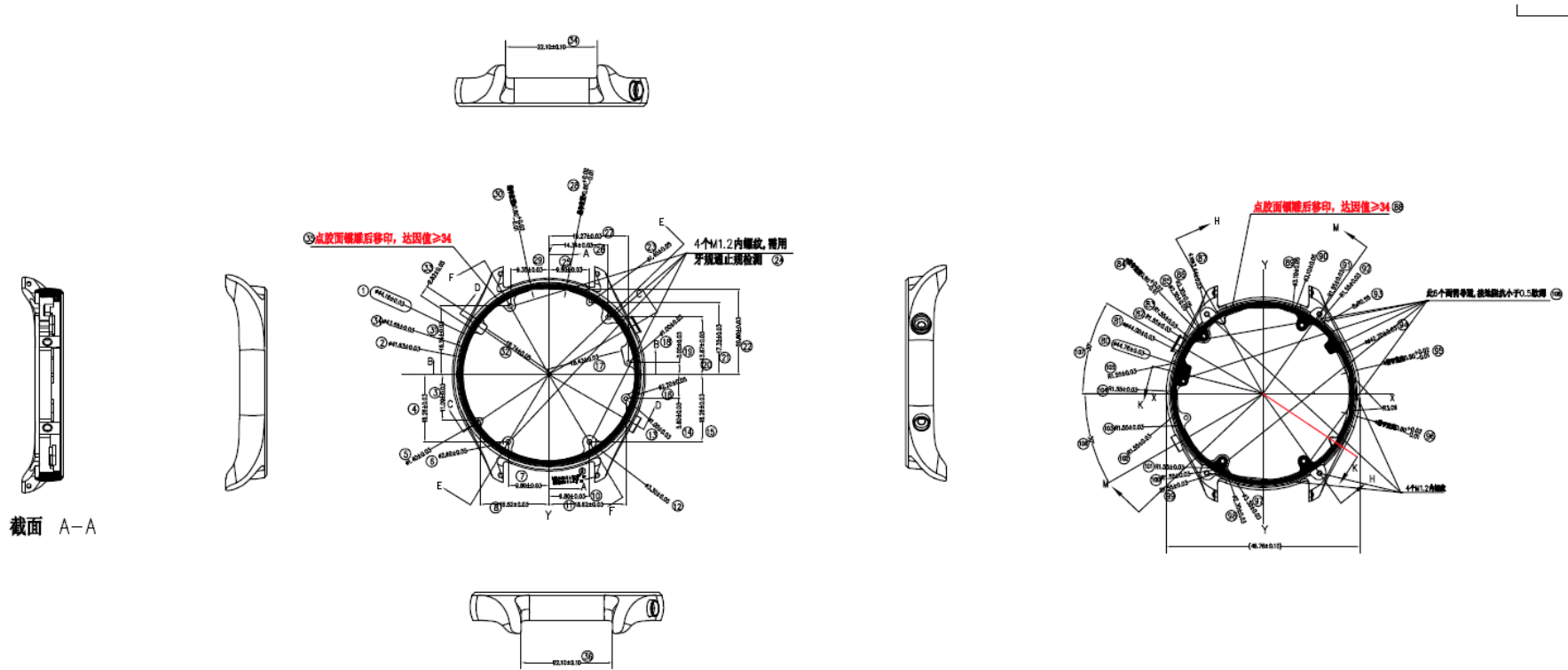


Fig. 1 Antenna Dimensions

Electrical Performance

S11 parameter-GPS L1 test result as Fig.2.

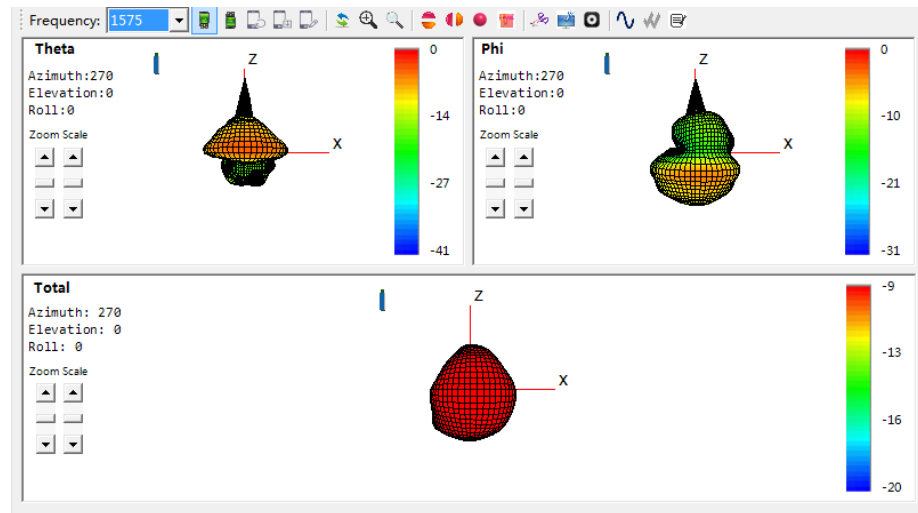
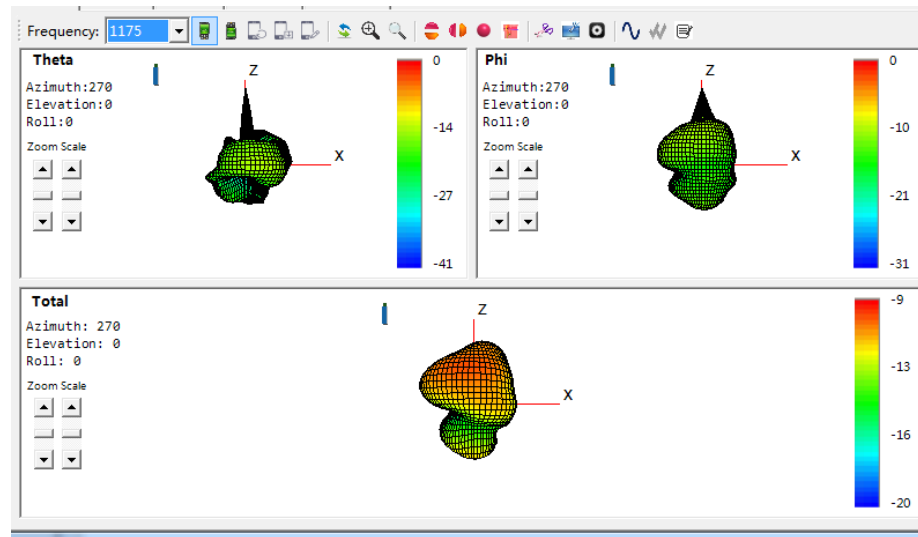


Fig. 2 S11 Parameter-GPS L1/L5 and BT test result

Table 1 shows the emission efficiency and the maximum gain of the antenna at different frequencies changes. The antenna radiation pattern diagram show in Fig.3.

Fre. (MHz)	Eff_dB	Eff_%	Gain
1155	-14.09	3.9	-9.34
1165	-14.28	3.73	-9.12
1175	-14.53	3.52	-9.37
1185	-14.75	3.35	-9.46
1195	-14.95	3.2	-9.77
1205	-15.05	3.13	-9.9
L5			
1535	-13.14	4.85	-6.96
1545	-12.81	5.24	-6.41
1555	-12.54	5.57	-6.24
1565	-12.33	5.85	-5.95
1575	-12.13	6.12	-5.56
1585	-11.97	6.35	-5.41
1595	-11.69	6.78	-5.03
1605	-11.3	7.41	-4.54
1615	-11.21	7.57	-4.52
L1			
2400	-11.92	6.42	-5.2
2410	-11.99	6.32	-5.48
2420	-12.01	6.29	-5.63
2430	-11.99	6.33	-5.75
2440	-11.98	6.35	-5.92
2450	-12.02	6.28	-6.11
2460	-11.91	6.44	-6.23
2470	-11.76	6.67	-6.13
2480	-11.56	6.99	-5.89
2490	-11.43	7.19	-5.85
2500	-11.44	7.17	-5.96
BT			

Table 1Max. Gain and Efficiency Vs. Frequency



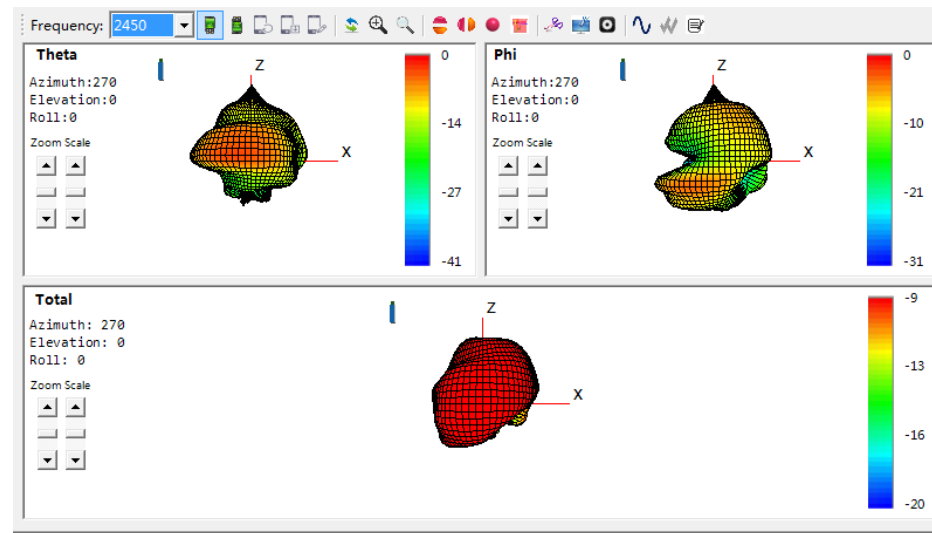


Fig. 3 antenna radiation pattern diagram