

ELKAY®

Enhanced

INSTALLATION & USE MANUAL

LZ™ Series Bottle Filling Stations & Coolers CONNECTED READY



Patent zurn-elkay.com/patents

⚠ **WARNING:** Cancer and Reproductive Harm - www.P65Warnings.ca.gov

⚠ **ADVERTENCIA:** Cáncer y daño reproductivo - www.P65Warnings.ca.gov

⚠ **AVERTISSEMENT:** Cancer et effets néfastes sur la reproduction - www.P65Warnings.ca.gov

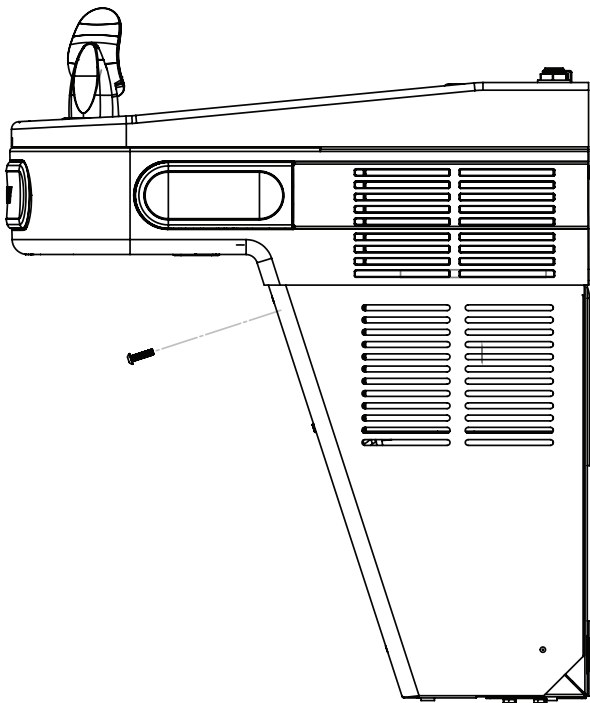


Fig. B(i)

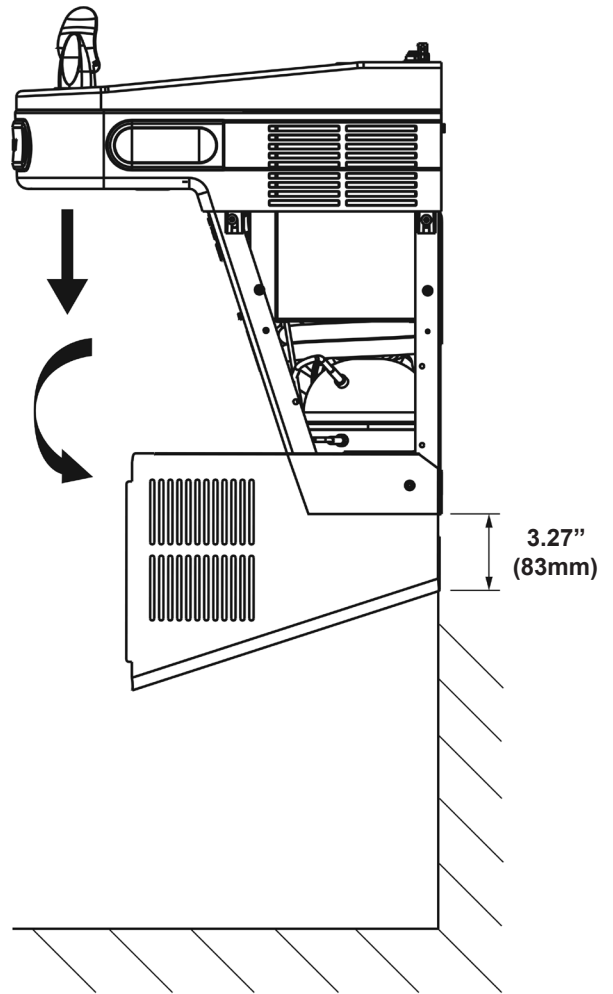


Fig. B

NOTE:

1. Ensure that there are no plumbing or external objects below the wrapper in the specified dimension. This minimum distance is required for the wrapper to swing out.
2. To access internal components, remove security screw and gently move wrapper down and rotate. When servicing is completed and once wrapper is in place prior to engaging security screw with frame threads, ensure thru hole is aligned with frame threads. Ensure screw is angled relative to the ground and perpendicular to wrapper surface prior to engagement. Hand tighten prior to using hand tool to avoid cross-threading. DO NOT USE POWER TOOL TO TIGHTEN. DO NOT OVERTIGHTEN.
3. Removing the wrapper from the pivoting bracket when servicing the unit is recommended. The wrapper may be left in place for quick serviceability.
4. **CAUTION:** DO NOT LEAN ON WRAPPER.
5. **CAUTION:** WRAPPER DROPS AND SWINGS WHEN SECURITY SCREWS ARE REMOVED.

HANGER BRACKET INSTALLATION

- 1) Remove hanger bracket fastened to back of cooler by removing one (1) screw.
- 2) Mount the hanger bracket as shown in Figure 1 (Pg. 2).

NOTE: Hanger Bracket **MUST** be supported securely. Add fixture support carrier if wall will not provide adequate support. Anchor hanger securely to wall using all six (6) 1/4 in. dia. mounting holes.

IMPORTANT: 5-7/8 in. (150mm) dimension from wall to centerline of trap must be maintained for proper fit.

INSTALLATION OF COOLER

- 3) Hang the cooler on the hanger bracket. Be certain hanger bracket is engaged properly in the slots on the cooler back as shown in Figure 1 (Pg. 2).
- 4) Remove the two front screws holding the lower front panel at the bottom of the cooler (see Fig 7, Pg. 6). Rotate the front panel down (see Fig B, Pg. 3) and remove.
- 5) Secure cooler frame to wall by installing (2) screws and washers (not supplied). (See Fig. 2, Pg. 4). Make sure the screws engage in a structural member.
- 6) Connect the supply water to the filter inlet tube.
- 7) Install trap. Remove the slip nut and gasket from the trap and install them on the cooler waste line making sure that the end of the waste line fits into the trap. Assemble the slip nut and gasket to the trap and tighten securely.

IMPORTANT: If it is necessary to cut the drain, loosen the screw at the black rubber boot and remove tube, check for leaks after re-assembly.

BOTTLE FILLER INSTALLATION

- 8) Remove two (2) mounting screws with 5/32" Allen wrench holding bottle filler to wall mounting plate (See Fig.8, Pg. 5). Note do not discard mounting screws, they will be needed to secure bottle filler to wall mounting plate.
- 9) Remove wall mounting plate from Bottle Filler (see Fig 8, Pg. 5). Place wall mounting plate against wall on top of basin. Center the wall mounting plate side to side with the basin. Mark the six (6) mounting holes with a pencil. Place tape over wiring harness connection on top of cooler to prevent debris from falling into Connection.
- 10) Remove wall mounting plate from wall. **NOTE:** Mounting plate **MUST** be supported securely. Add fixture support carrier if wall will not provide adequate support.
- 11) Install wall mounting plate to wall using six (6) 7/16" obround mounting holes (mounting bolts not included) (See Fig.8, Pg. 5). Use appropriate fasteners for your wall type.
- 12) Install gasket on bottom of bottle filler tower with gasket support bracket & (2) screws. (See Fig. 4, Pg. 4).
- 13) Route 3/8" tubing through the opening in the bottle filler gasket and plug into bulkhead fitting in basin. Route the wiring harness through the gasket and plug into the connector on the top of the basin.
- 14) Place bottle filler on four (4) hooks on the mounting plate installed on wall. Make sure round boss in gasket fits in hole of basin. (See Fig. 8, Pg. 5).
- 15) Plug electrical cord into outlet on wall.
- 16) Remove filter from carton, remove protective cap, attach filter to filter head by firmly inserting into head and rotating filter clockwise. Ensure that blue label can be read when filter is installed. (See Fig. 11, Pg. 7).
- 17) Turn water supply on and inspect for leaks. In both cooler and bottle filler. Fix all leaks before continuing.
- 18) Once cooler and bottle filter has been inspected for leaks and any leaks found corrected.
- 19) Reinstall two mounting screws from first step (See Fig. 8, Pg. 5). Caution, do not over tighten screws.
- 20) Once power is applied to the cooler the GREEN LED light will illuminate on the bottle filler showing good filter status along with the LCD Bottle Counter.
- 21) Verify proper dispensing by placing cup, hand, or any opaque object in front of sensor area and verify water dispenses. Note: the first initial dispenses might have air in line which may cause a sputter. This will be eliminated once all air is purged from the line.
- 22) Once unit tests out, install Lower Panel back on water cooler(s). Units are now ready for use.

Instructions For Replacing Filters

- 1) Remove the (2) screws (see Fig 7, Pg. 6) and rotate the front panel down (see Fig B, Pg. 3).
- 2) Turn off water supply; dispense water to relieve pressure.
- 3) Remove power by unplugging cooler.
- 4) Turn used filter counterclockwise 1/4 turn to remove from filter head.
- 5) Remove cap from new filter and use to seal used filter.
- 6) Insert new filter into existing filter head and turn fully clockwise. Make sure you can read the label on the front of the filter once it is installed. (See Fig.11, Pg. 7).
- 7) Plug in unit to restore power.
- 8) Turn on water supply and run a minimum of two gallons of water through the filter to purge air any fine carbon particles from filter. Also run water through bottle filler

Note: Filter status light will automatically reset once new filter is installed.

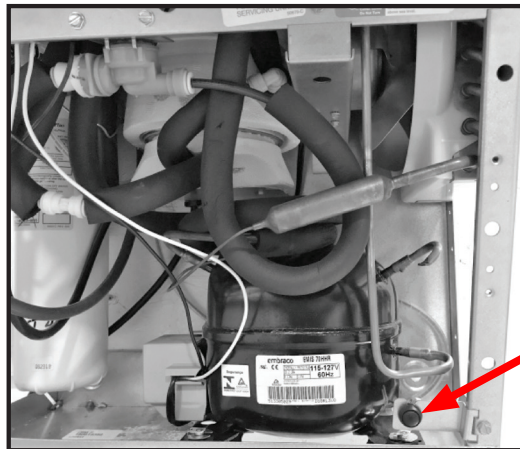


Fig. A

Instructions To Access Programming Button

- 1) Remove lower cover on refrigerated unit by removing (2) screws (see Fig 7, Pg. 5) and rotating the front panel down (see Fig B, Pg. 3).
- 2) Button is located in lower right corner of unit (See Fig. A, Pg. 3).

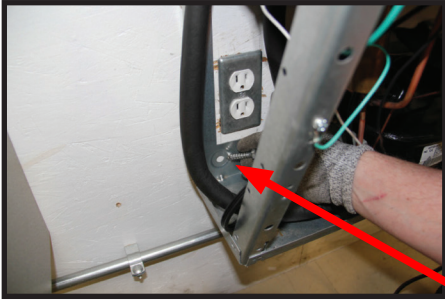


FIG. 2

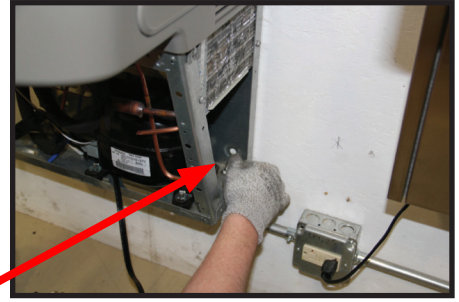


FIG. 3

Secure cooler frame to wall by installing (2) screws and washers (not supplied).

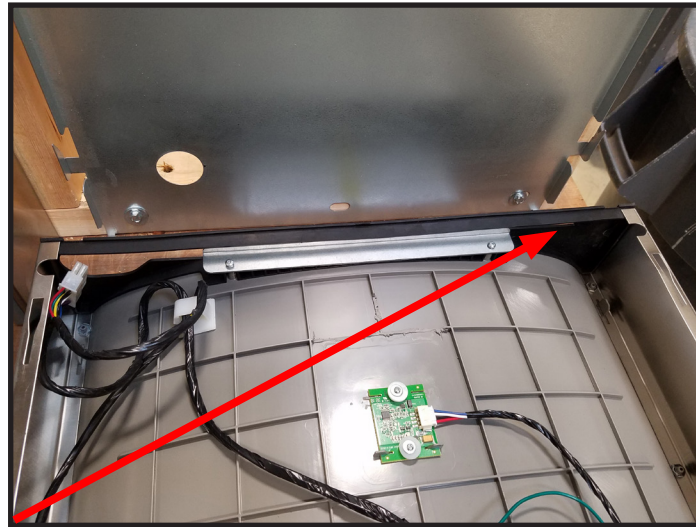


Fig. 4

Lay gasket along back of bottle filler mounting plate. Align BF and lay on cooler basin.

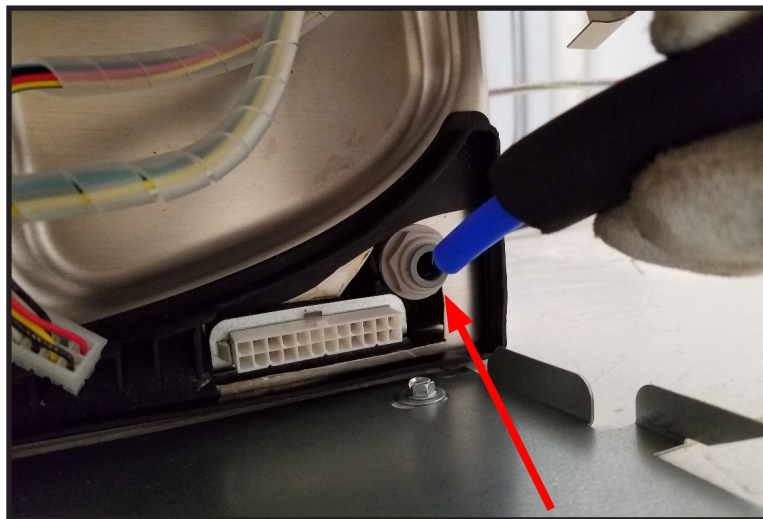


Fig. 5

Attach the 3/8 water line into the bulkhead fitting.
(Gasket removed from bottle filler for clarity)

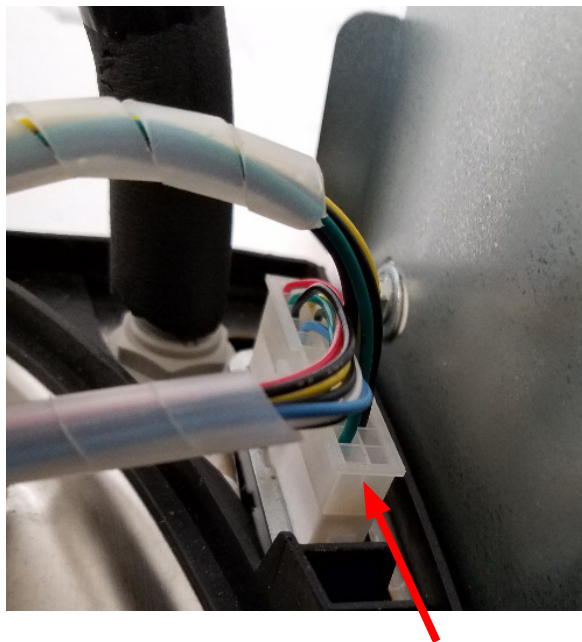


Fig. 6

Connect the bottle filler electrical harness.
(Gasket removed from bottle filler for clarity)

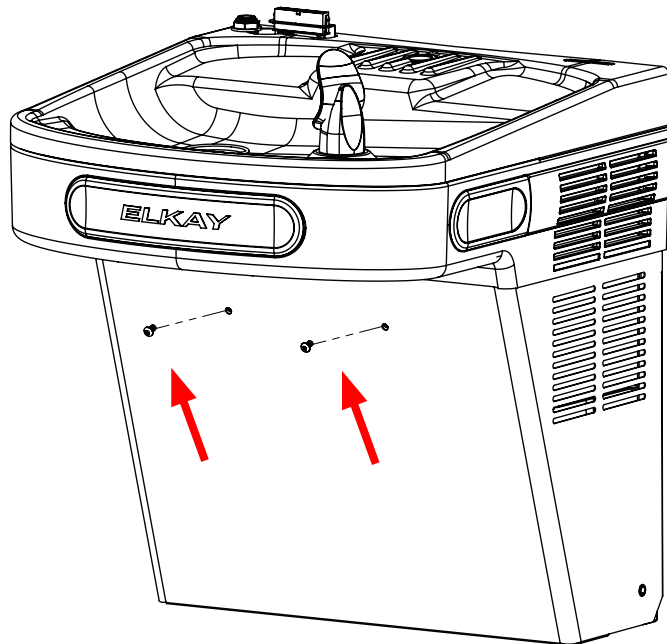


Fig. 7

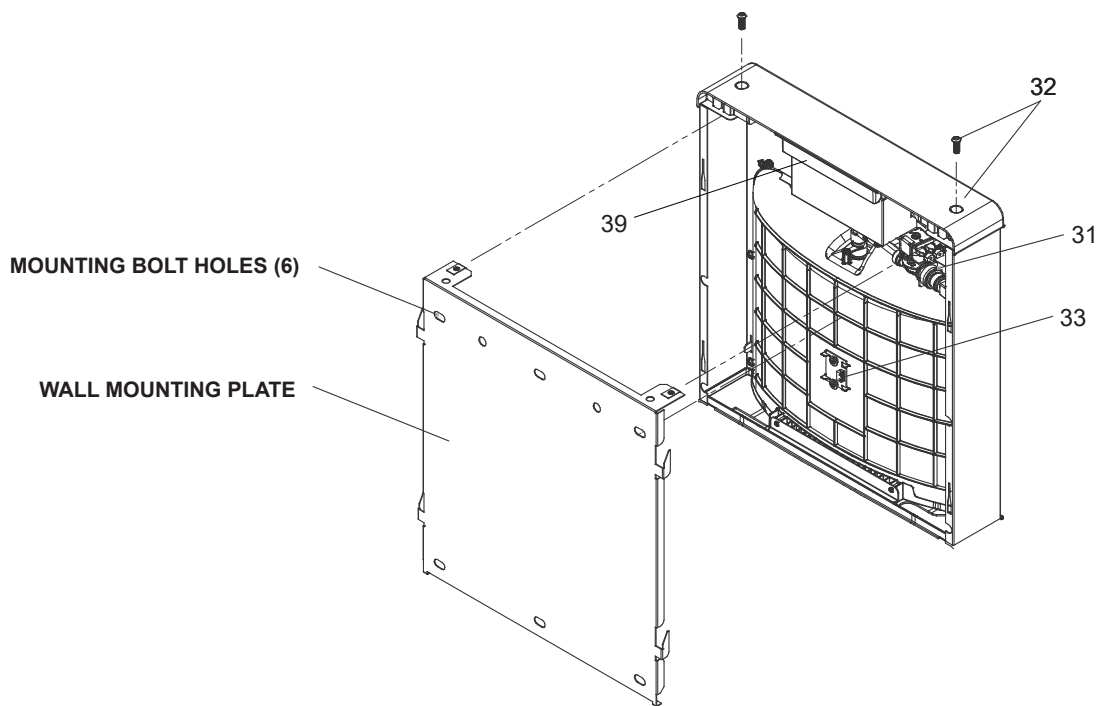


Fig. 8

BOTTLE FILLING UNIT

115V Refrigerated Wiring Diagram with Alpha/Numeric Display Connected Ready - Enhanced Bottle Filler

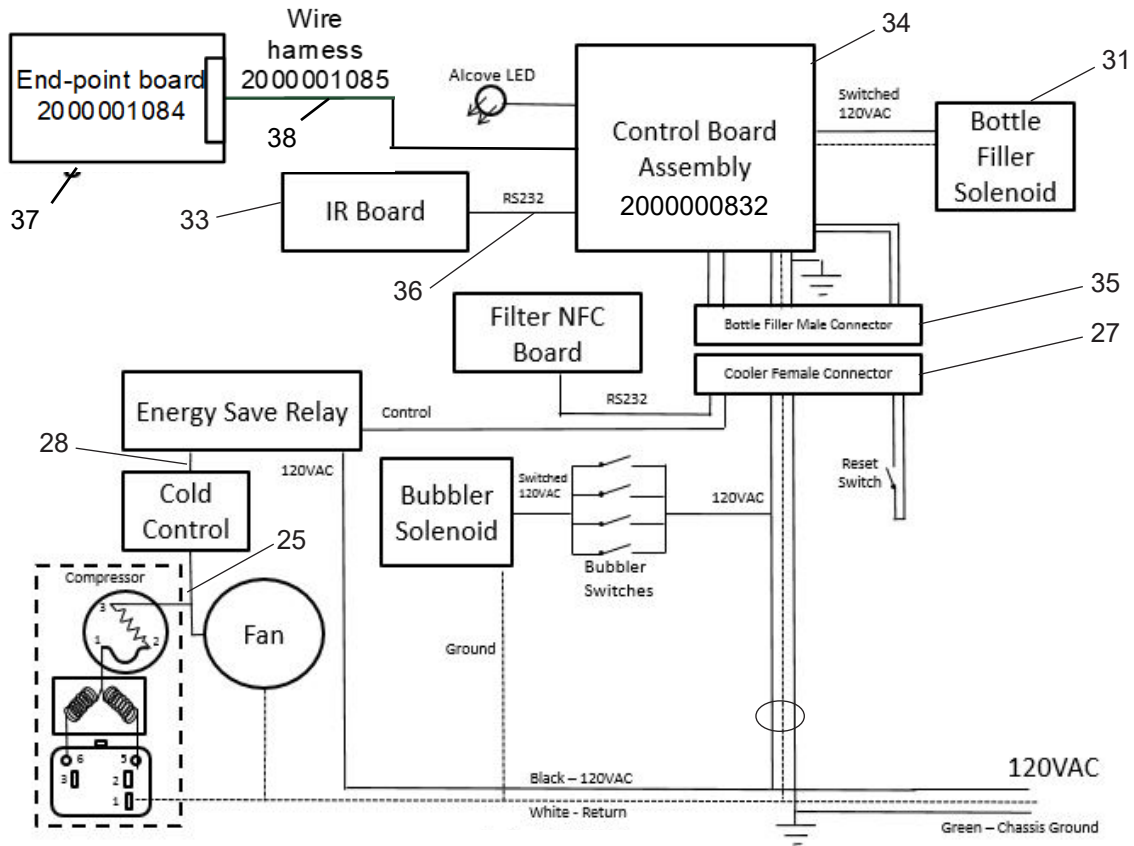


Fig. 9

OPERATION OF QUICK CONNECT FITTINGS

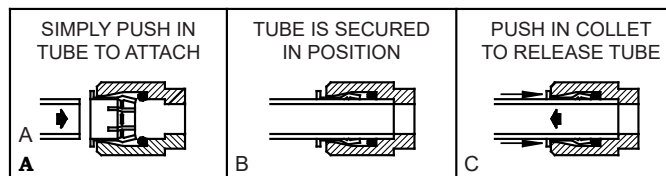


Fig. 10



Filter Label Location



Back of Filter

Fig. 11

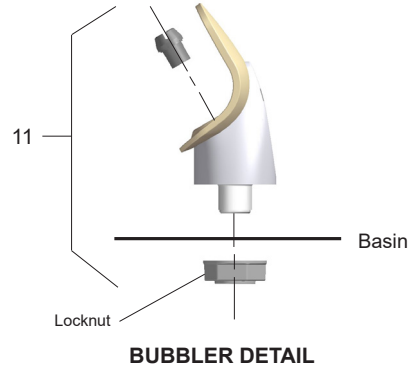


Fig. 12

NOTE:
When installing replacement bubbler and pedestal, tighten nut only to hold parts snug in position. Do Not Overtighten.

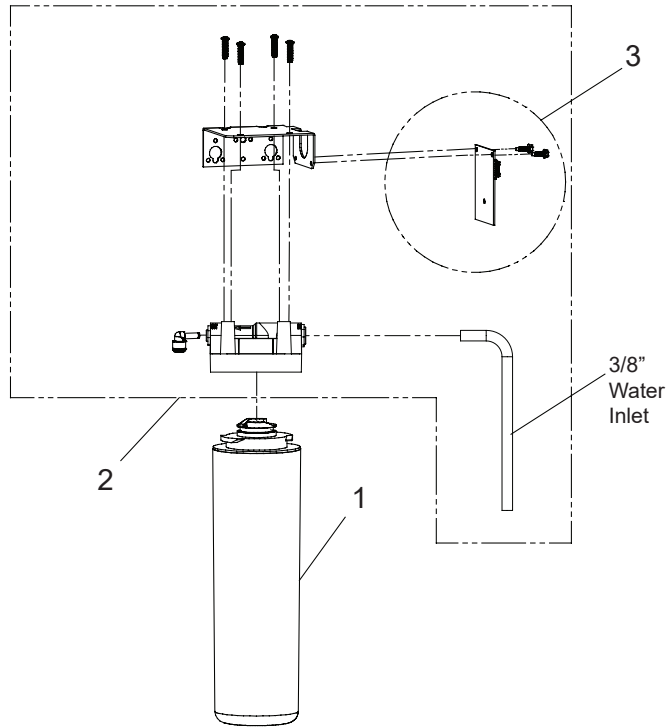


Fig. 13

WATERSENTRY® Filter Detail

WATERSENTRY® FILTER PARTS LIST		
ITEM NO.	PART NO.	DESCRIPTION
1	51300C	Filter Assy - 3000 Gal.
2	1000005214	Kit - Filter Head Fittings includes John Guest Fittings & 3/8" Elbow
3	1000004409	Filter Bracket/Screws Kit - NFC Board/Cover

Service Instructions

Lower and Upper Shroud

To access the refrigeration system and plumbing connections, Remove two (2) screws from front of cooler to remove the lower shroud. To remove the upper shroud for access to the pushbars, regulator, solenoid valve or other components located in the top of the unit, remove lower shroud, disconnect drain, remove four screws from tabs along lower edge of upper shroud, unplug two wires and water tube.

Bubbler

To remove the bubbler, first disconnect the power supply. The underside of the bubbler can be reached through the access panel on the underside of the upper shroud. Remove the access panel by removing the retaining screw. To remove the bubbler, loosen locknut from the underside of the bubbler and remove the tubing from the quick connect fitting per the Operation Of Quick Connect Fittings section in the General Instructions. After servicing, replace the access panel and retaining screw.

Switches Behind the Push Bar

The regulator in an EZ cooler is always held fully open by the use of a single regulator nut (See Item 9, Fig. 14). Water is not dispensed until the pushbar is depressed to activate a switch which then opens a solenoid valve.

To remove sidebars, from the inside compress the flared tabs and pull out carefully. To reinstall side pushbars, the front of the pushbar is inserted first. While keeping the switch depressed, snap the rear of the pushbar into position.

Cleaning

Stainless Steel

- General cleaning: use an ordinary mild detergent and soft cloth, rinse and towel dry.
- Steel soap pads should never be used; particles can adhere to a stainless steel basin surface and will eventually rust.
- Light scratches are normal for stainless steel basins; over time they will blend into the uniform finish pattern.

Plastic Components

- General cleaning: use an ordinary mild detergent and soft cloth, rinse and towel dry.
- Wiping the surface clean to remove debris or build up will not hurt the antimicrobial properties.

Temperature Control

- Factory set at 50°F (+/- 5°F) under normal conditions. For temperature adjustments, refer to sticker on left side of top bar.

Stream Height Adjustment

VIEW OF UNDERSIDE OF BASIN SHROUD

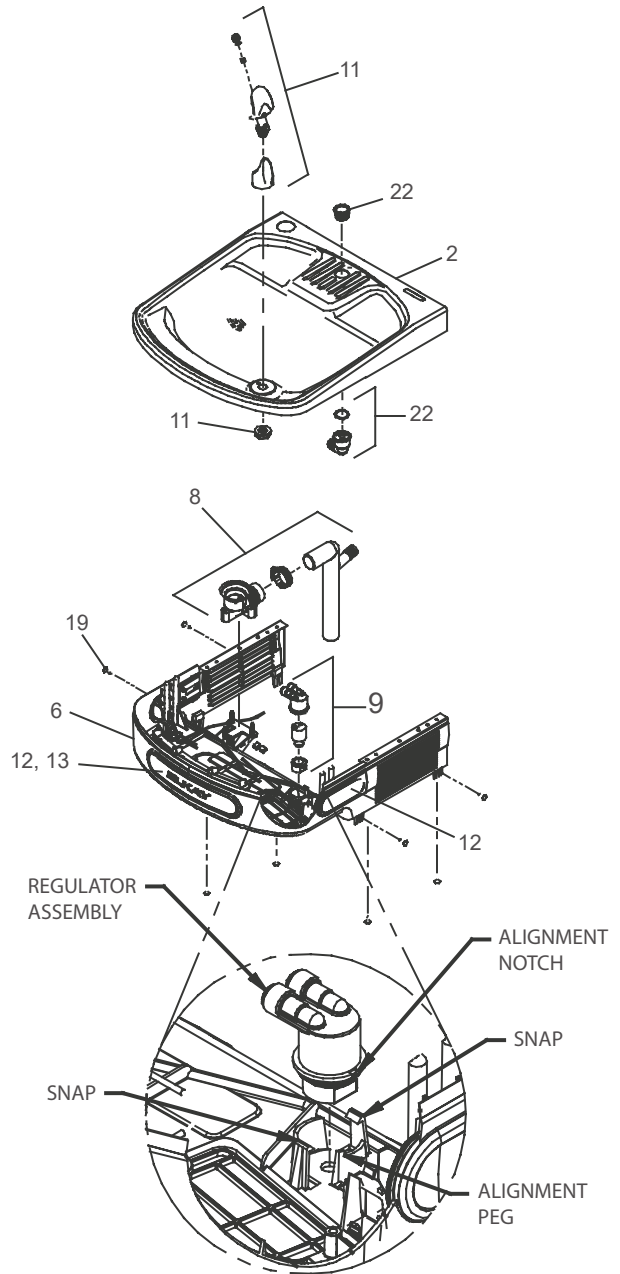
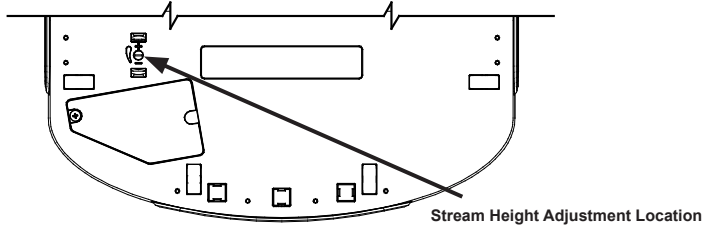


Fig. 14

Enhanced EZH2O Error Codes

Error Code	Error Description	Corrective Action
	Bottle filler area obstructed	<ul style="list-style-type: none"> • Remove obstruction. • Clean lens on IR sensor • Unplug unit for at least 30 seconds and restart • If error repeats, replace IR sensor
E013	Missing or Incomplatible Filter	<ul style="list-style-type: none"> • Check that filter is installed correctly (label facing forward, white tag facing back) • Unplug unit for at least 30 seconds and restart • Replace filter • Replace filter head assembly with repair kit • If error repeats, contact certified service professional
E013 & E014	Missing NFC Board	<ul style="list-style-type: none"> • Unplug unit for at least 30 seconds and restart • Verify cable connector is plugged into NFC board on filter head assembly • Replace filter head assembly with repair kit • If error repeats, contact certified service professional

Pictured is unit only without bottle filler.

Note: Danger! Electrical shock hazard. Disconnect power before servicing unit.

Uses HFC-134A refrigerant

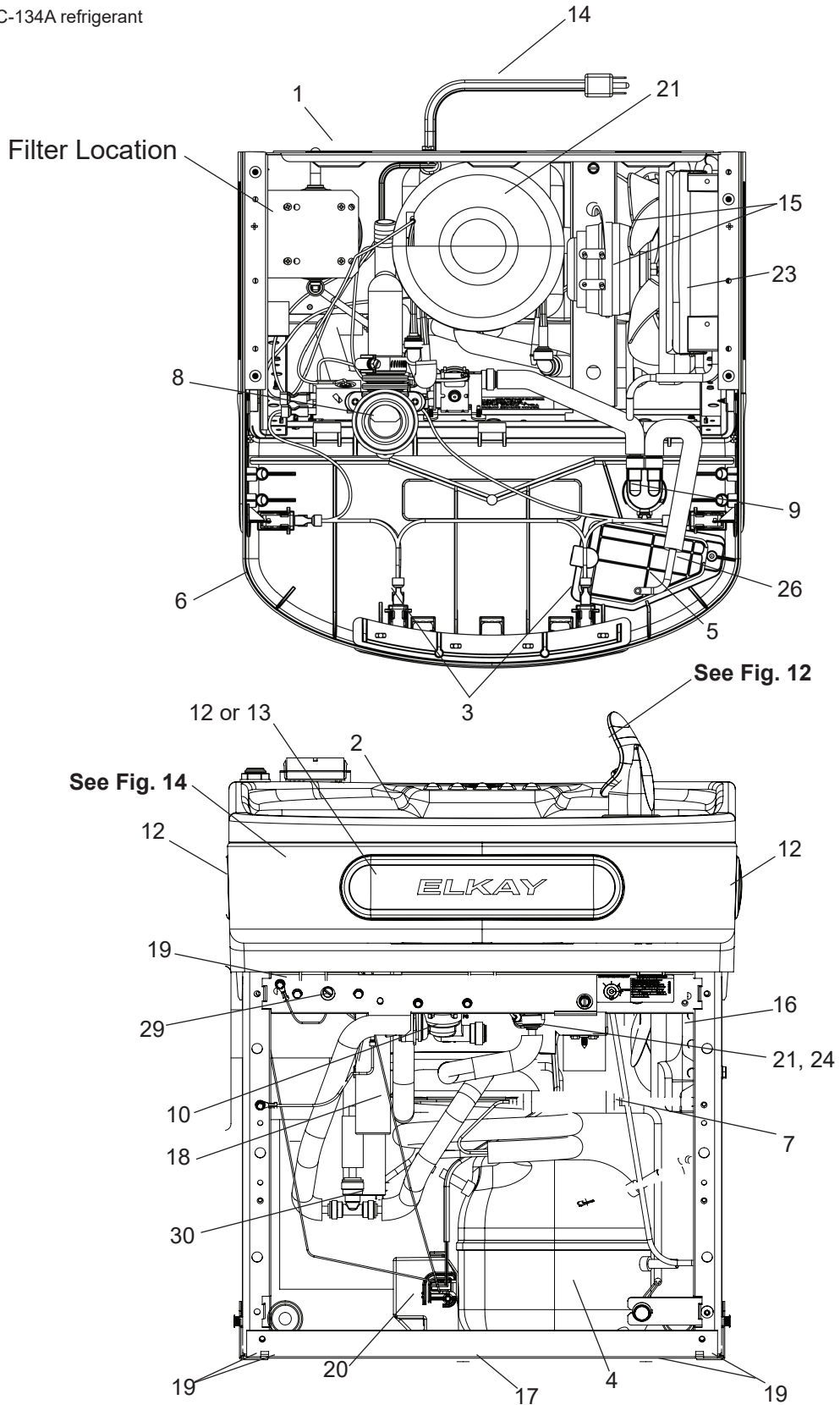


Fig. 15

115V PARTS LIST		
ITEM NO.	PART NO.	DESCRIPTION
1	28401C	Hanger Bracket
2	0000001337	Basin - Stainless Steel
3	36216C	Wiring - Front/Side Push Bar
*4	36322C	Compr - Service Pak 115V EMIS70HHR
5	56092C	Tube - Poly (72")
6	56229C	Assy - Shroud - Upper (Front Side Push)
7	66703C	Drier
8	1000001877	Kit - Drain Replacement (Bottle Filler) (Bracket, Tube, Fitting, Clamp)
9	1000004564	Kit - Regular/Holder/Nut
10	1000004572	Kit - Solenoid Valve/Regulator Assembly
11	56073C	Kit - Flexi Bubbler/"O"-Ring/Nut
12	98734C	Kit - Pushbar (Front/Side) EZS TL
13	1000001600	Kit - Pushbar (Front Only)
14	1000004568	Power Cord
15	98775C	Kit - Fan Motor/Blade/Screws/Nut
16	98776C	Kit - Condenser/Drier/Wire Ties
17	98777C	Kit - Compr Mtg Hdwe/Grommets/Clips/Studs
18	98778C	Kit - Heatx/Drier
19	98898C	Kit - Hardware
20	0000000238	Kit - 115V Electricals (Relay, Overload, Cover)
21	98724C	Kit - Evap. Replacement
22	1000001812	Kit - Bottle Filler Drain
23	56237C	Shroud
24	1000001602	Kit - 75583C Elbow 5/16" x 1/4" (3 Pack)
25	1000004559	Wire Assy - Jumper
26	56213C	Access Panel
27	1000004547	Harness - Cooler
28	1000004550	Wire - 6" Jumper
29	98773C	Kit - Cold Control
NS	2000001211	Wrapper Stainless Steel

ATTENTION:
 If the product serial number is before 190424189, please refer to archived documents section of Elkay.com for the most accurate parts list. (www.elkay.com/archived-documents)

BOTTLE FILLER REPLACEMENT PART KITS		
ITEM NO.	PART NO.	DESCRIPTION
NS	98546C	Kit - Aerator Replacement
30	98549C	Kit - Hardware & Waterway (BF) Kit -
31	1000004573	Solenoid 120V (BF) Nameplate -
NS	1000005077	Elkay Filtered
32	1000002433	Kit - Top Cover Assy (BF)
33	1000005219	Kit - IR Sensor K+
34	2000000832	Kit - Connected Ready Control Board
NS	1000004436	Numeric LED Board Kit - Tower/
35	1000004546	Basin Gasket Harness - Bottle Filler
36	1000004549	Harness - LED/IR Board
37	2000001084	End-point Board
38	2000001085	Harness - End-point Board
39	2000001086	Bracket, End-point Board Mounting

NS = Not Shown

NS = Not Shown
 *INCLUDES RELAY & OVERLOAD. IF UNDER WARRANTY, REPLACE WITH SAME COMPRESSOR USED IN ORIGINAL ASSEMBLY.
 NOTE: All correspondence pertaining to any of the above water coolers or orders for repair parts MUST include Model No. and Serial No. of cooler, name and part number of replacement part.

Register in plumbSMART

1. Install Zurn Gateway per the Gateway Instructions Manual (Required & Sold Separately)
2. Request plumbSMART Administrator Account at 844-987-6737
3. Zurn creates your Enterprise Account for you! (You will be required to identify your building location, number of floors, and number of rooms.)
4. Log in to plumbsmart.zurn.com
5. Register each Connected Product in plumbSMART (Watch How-To Videos to Get Started. Located in the support section inside the portal.
 - Note: Refer plumbSMART Registration ID Label provided with Connected Product.
6. Now, Relax. You're Connected.

FCC COMPLIANCE STATEMENT

CAUTION: Changes or modifications not expressly approved could void your authority to use this equipment
 This device complies with Part 15 of the FCC Rules. Operation is subject to the following two conditions: (1) This device may not cause harmful interference, and (2) this device must accept any interference received, including interference that may cause undesired operation.

Note: This equipment has been tested and found to comply with the limits for a Class B digital device, pursuant to part 15 of the FCC Rules. These limits are designed to provide reasonable protection against harmful interference in a residential installation. This equipment generates, uses and can radiate radio frequency energy and, if not installed and used in accordance with the instructions, may cause harmful interference to radio communications. However, there is no guarantee that interference will not occur in a particular installation. If this equipment does cause harmful interference to radio or television reception, which can be determined by turning the equipment off and on, the user is encouraged to try to correct the interference by one or more of the following measures:
 —Reorient or relocate the receiving antenna.
 —Increase the separation between the equipment and receiver.
 —Connect the equipment into an outlet on a circuit different from that to which the receiver is connected.
 —Consult the dealer or an experienced radio/TV technician for help.

The device shall be used in such a manner that the potential for human contact normal operation is minimized. This equipment complies with FCC radiation exposure limits set forth for an uncontrolled environment. This equipment should be installed and operated with a minimum distance of 20cm between the radiator and your body. This device and its antenna(s) must not be co-located or operating in conjunction with any other antenna or transmitter.

FOR PARTS, CONTACT YOUR LOCAL DISTRIBUTOR OR CALL 1.800.834.4816
 REPAIR SERVICE INFORMATION TOLL FREE NUMBER 1.800.260.6640

PRINTED IN U.S.A.

ELKAY MANUFACTURING COMPANY • 1333 BUTTERFIELD ROAD • DOWNERS GROVE, IL 60515 • 630.574.8484 • www.elkay.com

INDUSTRY CANADA STATEMENT

This device complies with Industry Canada license-exempt RSS standard(s). Operation is subject to the following two conditions: (1) this device may not cause interference, and (2) this device must accept any interference, including interference that may cause undesired operation of the device.

Le présent appareil est conforme aux CNR d'Industrie Canada applicables aux appareils radio exempts de licence. L'exploitation est autorisée aux deux conditions suivantes : (1) l'appareil ne doit pas produire de brouillage, et (2) l'utilisateur de l'appareil doit accepter tout brouillage radioélectrique subi, même si le brouillage est susceptible d'en compromettre le fonctionnement.

The device shall be used in such a manner that the potential for human contact normal operation is minimized. This equipment complies with RSS-102 radiation exposure limits. This equipment should be installed and operated with a minimum distance of 20 cm between the radiator and your body. This device and its antenna(s) must not be co-located or operating in conjunction with any other antenna or transmitter.

Le dispositif doit être utilisé de manière à minimiser le potentiel de fonctionnement normal par contact humain. Cet équipement est conforme aux limites d'exposition au rayonnement RSS-102. Cet équipement doit être installé et utilisé avec une distance minimale de 20 cm entre le radiateur et votre corps. Cet appareil et son (ses) antenne (s) ne doivent pas être co-localisés ou utilisés conjointement avec une autre antenne ou un autre émetteur.

FOR PARTS, CONTACT YOUR LOCAL DISTRIBUTOR OR CALL 1.800.834.4816
PARA PIEZAS, CONTACTE A SU DISTRIBUIDOR LOCAL O LLAME AL 1.800.834.4816
POUR OBTENIR DES PIÈCES, CONTACTEZ VOTRE DISTRIBUTEUR LOCAL OU COMPOSEZ LE 1.800.834.4816

REPAIR SERVICE INFORMATION TOLL FREE NUMBER 1.800.260.6640
NÚMERO GRATIS DE SERVICIO 1.800.260.6640
INFORMATIONS POUR LE SERVICE PAR NUMERO SANS FRAIS 1.800.260.6640

PRINTED IN U.S.A.
IMPRESO EN LOS E.E.U.U.
IMPRIMÉ AUX É.-U.

ELKAY MANUFACTURING Co. • 1333 BUTTERFLIED ROAD SUITE 200 DOWNERS GROVE, IL 60515 USA - • 630.574.8484 • www.elkay.com