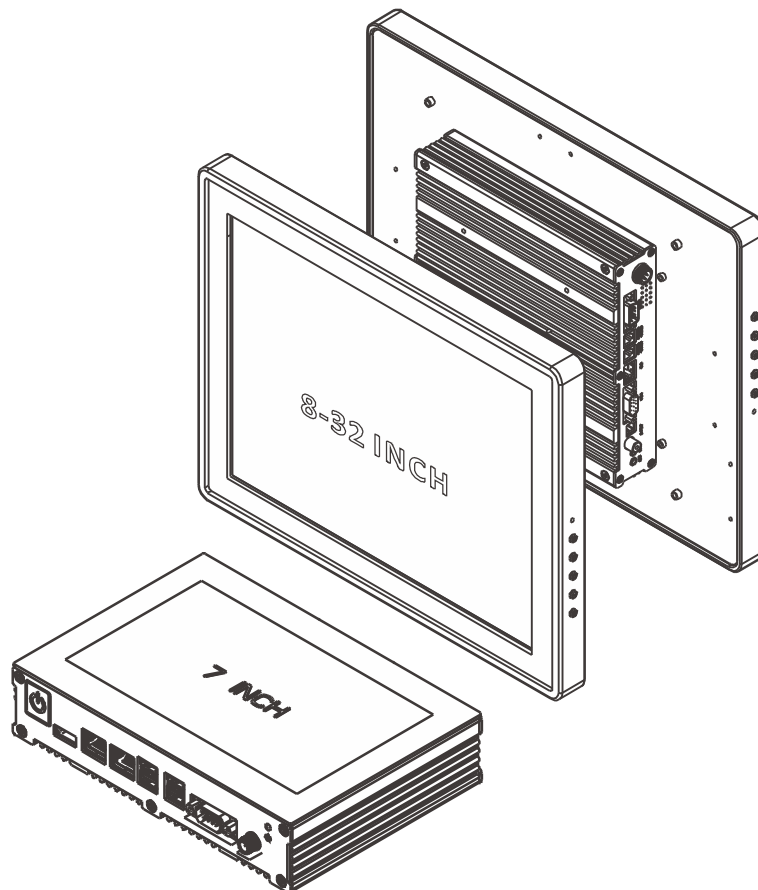


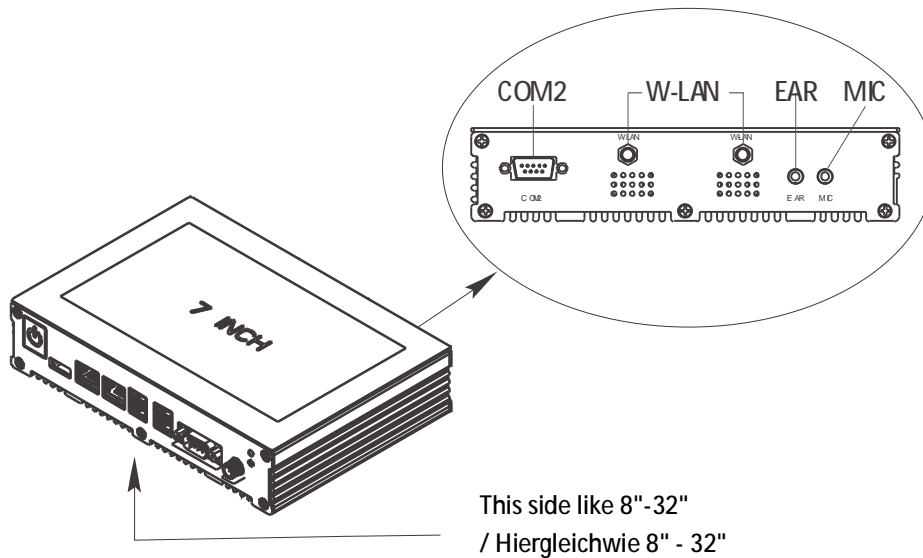
# BEDIENUNGSANLEITUNG

## MANUAL

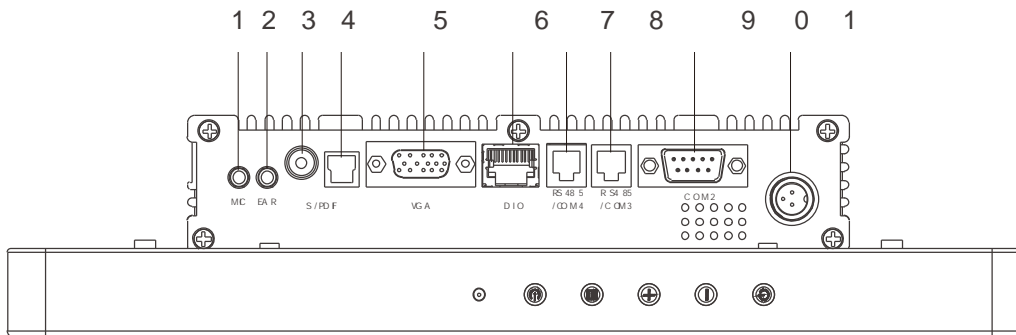


7-32" Touch PC

## 7 Inch flat series PC



## 8-32 Inch flat series PC

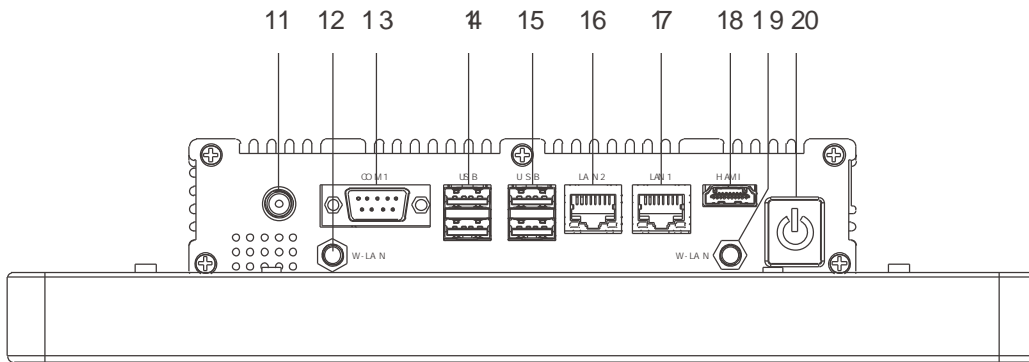


- 01. Mic-In
- 02. Ear-Out
- 03. S/PDIF
- 04. TOS Link S/PDIF
- 05. VGA
- 06. GPIO
- 07. RS485/COM4 switchable
- 08. RS485/COM3 switchable
- 09. COM2
- 10. Screwable Power Connector (optional)

- 01. MikroEingang
- 02. Sound Output
- 03. S/PDIF
- 04. TOS Link S/PDIF
- 05. VGA
- 06. GPIO
- 07. RS485/COM4 umschaltbar
- 08. RS485/COM3 umschaltbar
- 09. COM2
- 10. Schraubbarer Stromanschluß (optional)

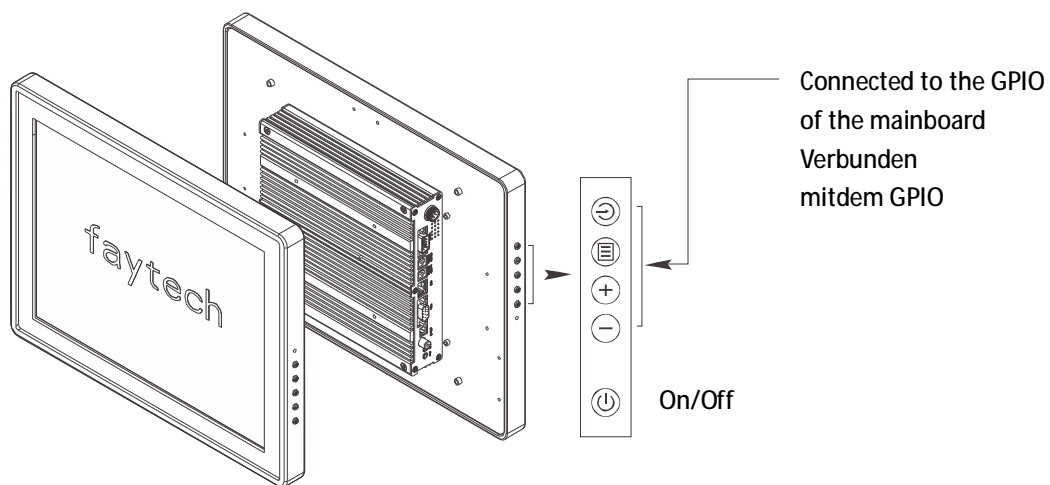
Zusätzlich im Lieferumfang enthalten: 100-240V Schaltnetzteil, Touchstift, Bedienungsanleitung und Treiber-DVD für Windows, und Linux Betriebssysteme.

Additionally included in delivery 100-240V switching power supply, touch pen, manual and driver DVD for Windows and and Linux OS.



- 11. Power Connector 12V DC-IN
- 12. Screwable W-Lan Connector
- 13. COM1,RS232, 5V/12V switchable in BIOS
- 14. 2 x USB2.0
- 15. 2 x USB2.0
- 16. 10/100/1000MBit network interface
- 17. 10/100/1000MBit network interface
- 18. HDMI Connector
- 19. Screwable W-Lan Connector
- 20. On/Off button

- 11. Power Connector
- 12. Schraubbarer W-LanStecker
- 13. COM1,RS232/RS485 im BIOS einstellbar
- 14. 2 x USB2.0
- 15. 2 x USB2.0
- 16. 10/100/1000MBit network Stecker
- 17. 10/100/1000MBit network Stecker
- 18. HDMI Anschluss
- 19. Schraubbarer W-LanStecker
- 20. Ein / Ausschalter



## Inbetriebnahme und Installation

faytech stellt Ihnen eine ausgereifte, qualitativ hochwertige PC-Hardware zur Verfügung. Für die Softwareinstallation, -Nutzung und -Pflege ist der jeweilige Anwender verantwortlich.

Auf der beigelegten Treiber-DVD sind Windows-, Mac-, und Linuxtreiber für unsere faytech Touch-PCs enthalten. Anhand Seriennummer und Typenbezeichnung des Modells erkennen Sie die passenden Treiber.

FT267410M/FT2600:

Bitte nutzen Sie die Kompletttreiber-Paket für faytech's IPC mainboard. Gerne prüfen Sie unter [www.faytech.com](http://www.faytech.com), ob bereits aktualisierte Treiber vorliegen.

## Fehlervermeiden / Fehler beheben

Falls bei der Nutzung Unklarheiten oder Probleme auftreten, schauen Sie bitte zunächst in der ausführlichen Bedienungsanleitung nach (auf der Treiber-DVD enthalten und abrufbar unter [www.faytech.de](http://www.faytech.de)). Lässt sich das Problem auch dadurch nicht beseitigen, wenden Sie sich bitte direkt an uns.

## Commissioning and Installation

faytech offers you a well-engineered, high-quality PC hardware. For the software installation, use and maintenance the respective user is responsible.

Windows and Linux drivers for our faytech Touch PC's are included on the bundled driver DVD. Feel free to check [www.faytech.com](http://www.faytech.com) to see whether there are updated versions of drivers available.

FT267410M/FT2600: please use the completed driver packages of faytech's IPC mainboard.

To start, simply connect your faytech-touch PC to the included AC adaptor or use an equivalent power 12V DC source with at least 5A DC. To start the system, press the On/Off button.

### Troubleshooting

If you encounter problems or ambiguities during the usage, please first refer to the detailed instruction manual (available on the driver DVD and on [www.faytech.com](http://www.faytech.com)).

In case you are unable to resolve the issue this way please contact us directly.

This device complies with part 15 of the FCC Rules. Operation is subject to the following two conditions: (1) This device may not cause harmful interference, and (2) this device must accept any interference received, including interference that may cause

undesired operation.

Any Changes or modifications not expressly approved by the party responsible for compliance could void the user's authority to operate the equipment

**Note:** This equipment has been tested and found to comply with the limits for a Class B

digital device, pursuant to part 15 of the FCC Rules. These limits are designed to provide reasonable protection against harmful interference in a residential installation. This equipment generates uses and can radiate radio frequency energy and, if not installed and used in accordance with the instructions, may cause harmful interference to radio communications. However, there is no guarantee that interference will not occur in a particular installation. If this equipment does cause harmful interference to radio or television reception, which can be determined by turning the equipment off and

on, the user is encouraged to try to correct the interference by one or more of the following measures:

- Reorient or relocate the receiving antenna.
- Increase the separation between the equipment and receiver.
- Connect the equipment into an outlet on a circuit different from that to which the receiver is connected.
- Consult the dealer or an experienced radio/TV technician for help.