



FCC Test Report

FCC ID: 2AC8IFTSSTM

(Verification of Conformity)

For

Electromagnetic Interference

Of

Product : Non-Wifi Touch Screen

Trade Name : faytech

Model Number : FT10TM, FT07TM, FT08TM, FT104TM,
FT116TM, FT121TM, FT133TM

Prepared for

faytech Tech. Co., Ltd.

Fl. 4, Hongmen Tech Zone, Jihua Road, Longgang District, Shenzhen, China

Prepared by

Shenzhen Asia Test Technology Co.,Ltd.

1/6, Bldg.8, Zhonghua Industrial City, Chuangye Rd., Nanshan District,
Shenzhen, Guangdong, China

Tel: (86)- 0755-23590251 Fax: (86)-0755- 23590255

Http: www.att-lab.net



TEST RESULT CERTIFICATION

Applicant's name faytech Tech. Co., Ltd.
 Address Fl. 4, Hongmen Tech Zone, Jihua Road, Longgang District, Shenzhen, China
Manufacturer's Name faytech Tech. Co., Ltd.
 Address Fl. 4, Hongmen Tech Zone, Jihua Road, Longgang District, Shenzhen, China

Product description

Product name Non-Wifi Touch Screen
 Model and/or type FT10TM, FT07TM, FT08TM, FT104TM, FT116TM, FT121TM, reference FT133TM
 Standards FCC Part15B:2012
 ANSI C63.4:2003

This device described above has been tested by ATT, and the test results show that the equipment under test (EUT) is in compliance with Part 15 of FCC Rules. And it is applicable only to the tested sample identified in the report.

This report shall not be reproduced except in full, without the written approval of ATT, this document may be altered or revised by ATT, personal only, and shall be noted in the revision of the document.

Date of Test
 Date (s) of performance of tests 26 Aug. 2014 ~16 Sep. 2014
 Date of Issue..... 16 Sep. 2014
 Test Result..... **Pass**

Testing Engineer : Eric Wang
 (Eric Wang)
 Technical Manager : Jerry You
 (Jerry You)
 Authorized Signatory : Jack Yu
 (Jack yu)



Table of Contents	Page
1 . TEST SUMMARY	4
1.1 TEST FACILITY	5
1.2 MEASUREMENT UNCERTAINTY	5
2 . GENERAL INFORMATION	6
2.1 GENERAL DESCRIPTION OF EUT	6
2.2 DESCRIPTION OF TEST MODES	7
2.3 DESCRIPTION OF TEST SETUP	8
2.4 DESCRIPTION TEST PERIPHERAL AND EUT PERIPHERAL	9
2.5 MEASUREMENT INSTRUMENTS LIST	10
3 . EMC EMISSION TEST	11
3.1 CONDUCTED EMISSION MEASUREMENT	11
3.1.1 POWER LINE CONDUCTED EMISSION	11
3.1.2 TEST PROCEDURE	12
3.1.3 TEST SETUP	12
3.1.4 EUT OPERATING CONDITIONS	12
3.1.5 TEST RESULTS	13
3.2 RADIATED EMISSION MEASUREMENT	17
3.2.1 LIMITS OF RADIATED EMISSION MEASUREMENT	17
3.2.2 TEST PROCEDURE	17
3.2.3 TEST SETUP	18
3.2.4 EUT OPERATING CONDITIONS	18
3.2.5 TEST RESULTS	19
3.2.6 TEST RESULTS(Above 1GHz)	23
4 . EUT TEST PHOTO	24



1. TEST SUMMARY

Test procedures according to the technical standards:

EMC Emission				
Standard	Test Item	Limit	Judgment	Remark
FCC Part15B:2012 ANSI C63.4: 2003	Conducted Emission	Class B	PASS	
	Radiated Emission	Class B	PASS	

NOTE:

- (1) 'N/A' denotes test is not applicable in this Test Report
- (2) For client's request and manual description, the test will not be executed.



1.1 TEST FACILITY

Shenzhen STONE Testing Technology Co.,Ltd.

Add. : F/1, Bldg.12, Zhongxing Industrial City, Chuangye Rd., Nanshan District
Shenzhen China

FCC Registration No.: 323508; IC Registration No.: 11043A

1.2 MEASUREMENT UNCERTAINTY

The reported uncertainty of measurement $y \pm U$, where expanded uncertainty U is based on a standard uncertainty multiplied by a coverage factor of $k=2$, providing a level of confidence of approximately **95** %.

A. Conducted Measurement :

Test Site	Method	Measurement Frequency Range	U , (dB)	NOTE
ATTC01	ANSI	150 KHz ~ 30MHz	3.2	

B. Radiated Measurement :

Test Site	Method	Measurement Frequency Range	U , (dB)	NOTE
ATTA01	ANSI	30MHz ~ 1000MHz	4.7	
		1GHz ~6GHz	5.0	



2. GENERAL INFORMATION

2.1 GENERAL DESCRIPTION OF EUT

Equipment	Non-Wifi Touch Screen
Model Name	FT10TM
Additional Model Number(s)	FT07TM, FT08TM, FT104TM, FT116TM, FT121TM, FT133TM
Model Difference	All models are identical except model names and screen sizes 15 ~ 22 inch. image refresh rate:800*600(Min); 1920*1200(Max).
Product Description	The EUT is a Non-Wifi Touch Screen
	oscillator frequency: 24MHz, 12MHz
	Connecting I/O port: USB/VGA/HDMI
	Based on the application, features, or specification exhibited in User's Manual, the EUT is considered as an ITE/Computing Device. More details of EUT technical specification, please refer to the User's Manual.
Power Source	AC Voltage
Power Rating	12V $\overline{\text{---}}$, 2A
Adapter	M/N:FJ-SW1202000E Input:100-240V~, 50/60H, 0.6A Max. Output:12V $\overline{\text{---}}$, 2000mA

2.2 DESCRIPTION OF TEST MODES

To investigate the maximum EMI emission characteristics generated from EUT, the test system was pre-scanning tested based on the consideration of following EUT operation mode or test configuration mode which possibly have effect on EMI emission level. Each of these EUT operation mode(s) or test configuration mode(s) mentioned above was evaluated respectively.

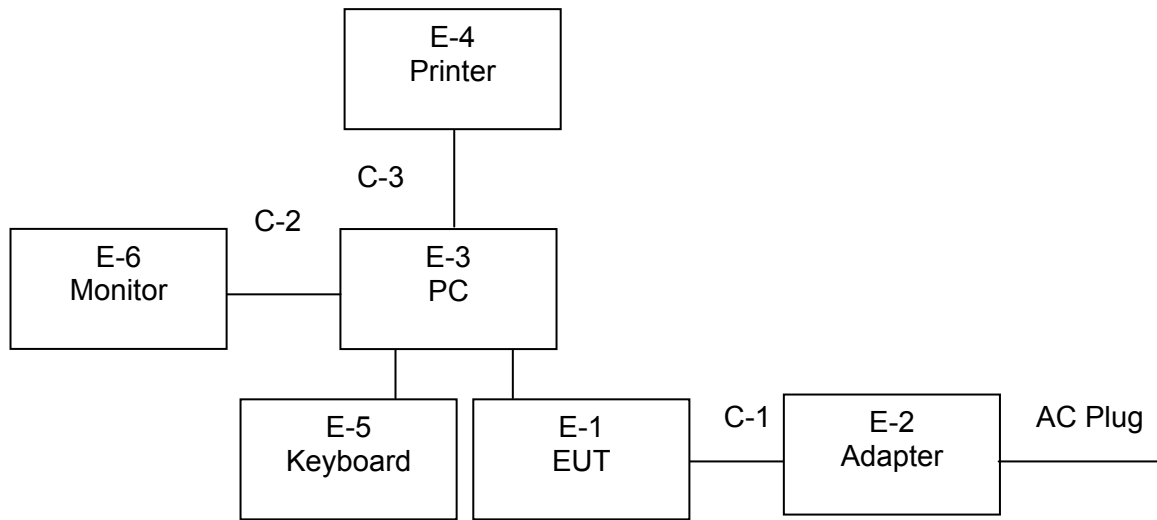
Pretest Mode	Description
Mode 1	VGA, 800*600,60Hz
	VGA, 1024*768,60Hz
	VGA, 1920*1200,60Hz
Mode 2	HDMI 720P

For Conducted Test	
Final Test Mode	Description
Mode 1	VGA 1920*1200,60Hz
Mode 2	HDMI 720P

For Radiated Test	
Final Test Mode	Description
Mode 1	VGA 1920*1200,60Hz
Mode 2	HDMI 720P

NOTE: The measurements are performed at the highest, middle, lowest resolution. the worst type has been reported.

2.3 DESCRIPTION OF TEST SETUP





2.4 DESCRIPTION TEST PERIPHERAL AND EUT PERIPHERAL

The EUT has been tested as an independent unit together with other necessary accessories or support units. The following support units or accessories were used to form a representative test configuration during the tests.

Item	Equipment	Brand	Model/Type No.	Series No.	Note
E-1	Non-Wifi Touch Screen	N/A	FT10TM	N/A	EUT
E-2	Adapter	N/A	FJ-SW1202000E	N/A	
E-3	Notebook	Lenovo	LE-51247	N/A	Notebook
E-4	Printer	Canon	L11121E	LBP2900	Printer
E-5	Keyboard	DELL	SK-8185	OY526KUS	E-5
E-6	Mouse	DELL	MS111-P	cn-011d3v-71581-11e-1th7	E-6

Item	Shielded Type	Ferrite Core	Length	Note
C-1	NO	YES	120cm	
C-2	YES	YES	120cm	
C-3	NO	NO	100cm	

Note:

- (1) The support equipment was authorized by Declaration of Confirmation.
- (2) For detachable type I/O cable should be specified the length in cm in 『Length』 column.
- (3) “YES” means “shielded” “with core”; “NO” means “unshielded” “without core”.



2.5 MEASUREMENT INSTRUMENTS LIST

2.5.1 CONDUCTED TEST SITE

Radiation Test equipment

Item	Kind of Equipment	Manufacturer	Type No.	Serial No.	Last calibration	Calibrated until	Calibration period
1	Spectrum Analyzer	Agilent	E4407B	MY45108040	2014.07.06	2015.07.05	1 year
2	Test Receiver	R&S	ESPI	101318	2014.06.07	2015.06.06	1 year
3	Bilog Antenna	TESEQ	CBL6111D	31216	2014.07.06	2015.07.05	1 year
4	50Ω Coaxial Switch	Anritsu	MP59B	6200264416	2014.06.07	2015.06.06	1 year
5	Spectrum Analyzer	ADVANTEST	R3132	150900201	2014.06.07	2015.06.06	1 year
6	Horn Antenna	EM	EM-AH-10180	2011071402	2014.07.06	2015.07.05	1 year
7	Amplifier	EM	EM-30180	060538	2013.12.22	2014.12.21	1 year
8	Loop Antenna	ARA	PLA-1030/B	1029	2014.06.08	2015.06.07	1 year
9	Cable 30-1000MHz	R&S	ATT-R01	201309R001	2014.06.08	2015.06.07	1 year
10	Cable 1-18GHz	R&S	ATT-R02	201309R048	2014.06.08	2015.06.07	1 year

Conduction Test equipment

Item	Kind of Equipment	Manufacturer	Type No.	Serial No.	Last calibration	Calibrated until	Calibration period
1	Test Receiver	R&S	ESCI	101160	2014.06.06	2015.06.05	1 year
2	LISN	R&S	ENV216	101313	2014.08.24	2015.08.23	1 year
3	LISN	EMCO	3816/2	00042990	2014.08.24	2015.08.23	1 year
4	50Ω Coaxial Switch	Anritsu	MP59B	6200264417	2014.06.07	2015.06.06	1 year
5	Passive Voltage Probe	R&S	ESH2-Z3	100196	2014.06.07	2015.06.06	1 year
6	Absorbing clamp	R&S	MOS-21	100423	2014.06.08	2015.06.07	1 year
7	Cable 0.009-30MHz	R&S	ATT-C01	201309C006	2014.06.08	2015.06.07	1 year



3. EMC EMISSION TEST

3.1 CONDUCTED EMISSION MEASUREMENT

3.1.1 POWER LINE CONDUCTED EMISSION (Frequency Range 150KHz-30MHz)

FREQUENCY (MHz)	Class A (dBuV)		Class B (dBuV)	
	Quasi-peak	Average	Quasi-peak	Average
0.15 -0.5	79.00	66.00	66 - 56 *	56 - 46 *
0.50 -5.0	73.00	60.00	56.00	46.00
5.0 -30.0	73.00	60.00	60.00	50.00

Note:

- (1) The tighter limit applies at the band edges.
- (2) The limit of " * " marked band means the limitation decreases linearly with the logarithm of the frequency in the range.

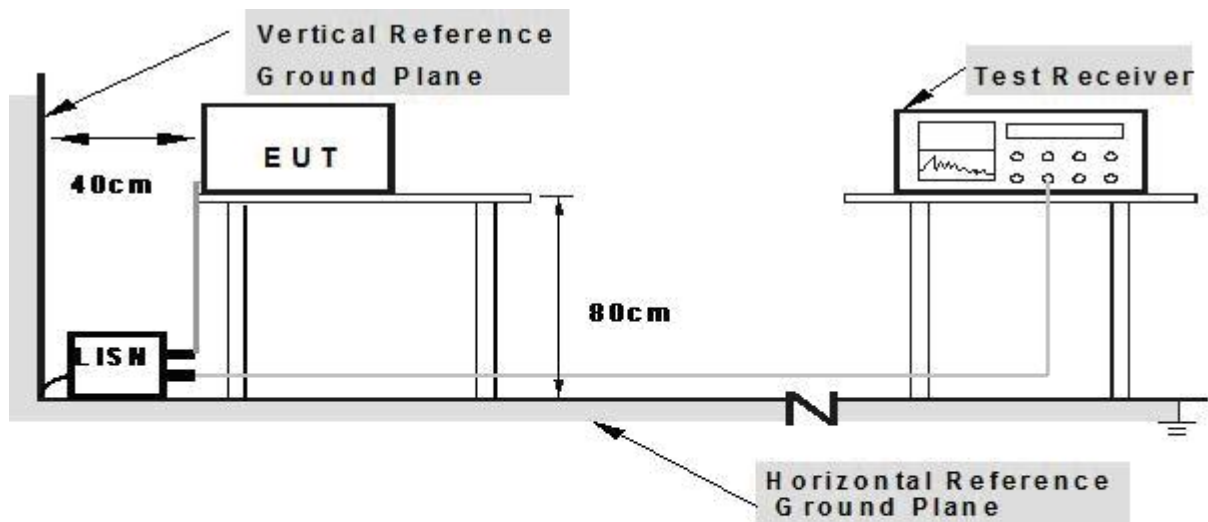
The following table is the setting of the receiver

Receiver Parameters	Setting
Attenuation	10 dB
Start Frequency	0.15 MHz
Stop Frequency	30 MHz
IF Bandwidth	9 kHz

3.1.2 TEST PROCEDURE

- a. The EUT was placed 0.8 meters from the horizontal ground plane with EUT being connected to the power mains through a line impedance stabilization network (LISN). All other support equipments powered from additional LISN(s). The LISN provide 50 Ohm/ 50uH of coupling impedance for the measuring instrument.
- b. Interconnecting cables that hang closer than 40 cm to the ground plane shall be folded back and forth in the center forming a bundle 30 to 40 cm long.
- c. I/O cables that are not connected to a peripheral shall be bundled in the center. The end of the cable may be terminated, if required, using the correct terminating impedance. The overall length shall not exceed 1 m.
- d. LISN at least 80 cm from nearest part of EUT chassis.
- e. For the actual test configuration, please refer to the related Item –EUT Test Photos.

3.1.3 TEST SETUP



Note: 1. Support units were connected to second LISN.

2. Both of LISNs (AMN) are 80 cm from EUT and at least 80 cm from other units and other metal planes

3.1.4 EUT OPERATING CONDITIONS

The EUT tested system was configured as the statements of 2.3 Unless otherwise a special operating condition is specified in the follows during the testing.



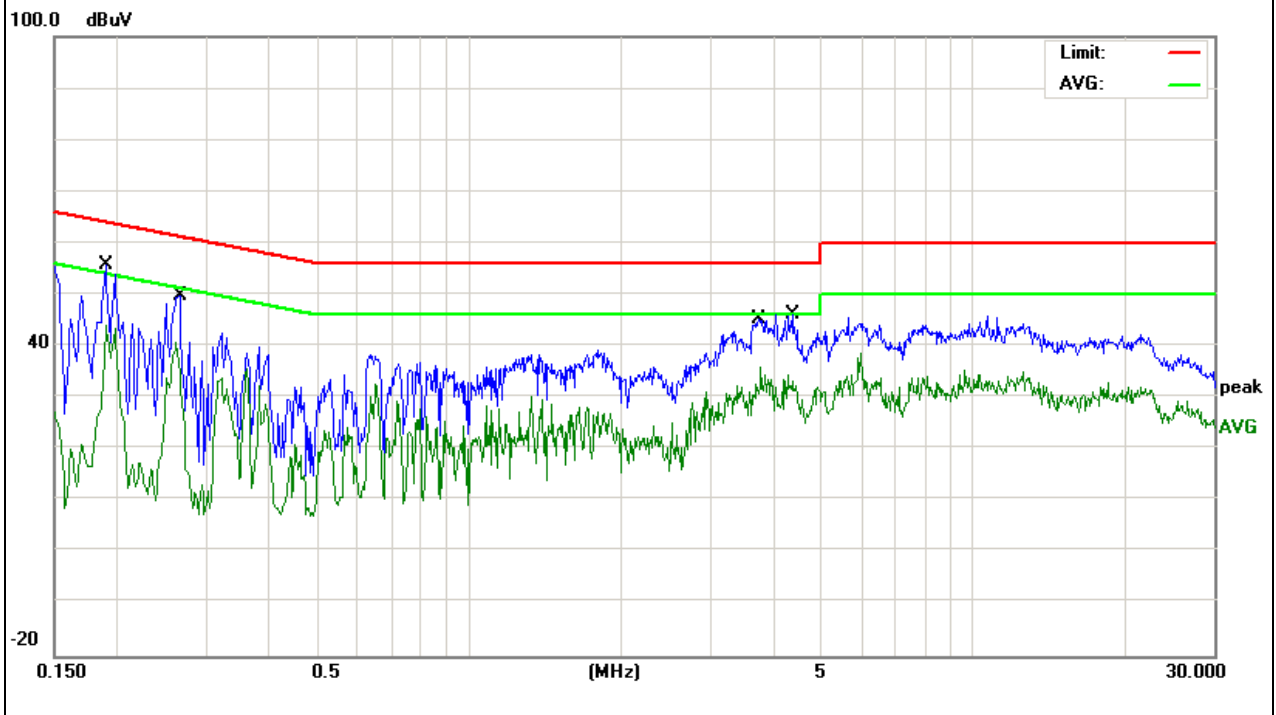
3.1.5 TEST RESULTS

EUT :	Non-Wifi Touch Screen	Model Name. :	FT10TM
Temperature :	26 °C	Relative Humidity :	54%
Pressure :	1010hPa	Test Date :	2014-9-5
Test Mode :	VGA 1920*1200,60Hz	Phase :	L
Test Voltage :	DC 12V from adapter AC 120V/60Hz		

Freq. (MHz)	Reading (dBuV)	Factor (dBuV)	Measurement (dBuV)	Limit (dBuV)	Over (dB)	Detector
0.19	45.45	10.44	55.89	64.03	-8.14	QP
0.19	33.51	10.44	43.95	54.03	-10.08	AVG
0.263	28.66	10.43	39.09	51.33	-12.24	AVG
0.266	39.32	10.43	49.75	61.24	-11.49	QP
3.79	25.44	10.63	36.07	46	-9.93	AVG
4.38	35.52	10.64	46.16	56	-9.84	QP

Remark:

1. All readings are Quasi-Peak and Average values.
2. Factor = Insertion Loss + Cable Loss.
3. N/A means All Data have pass Limit



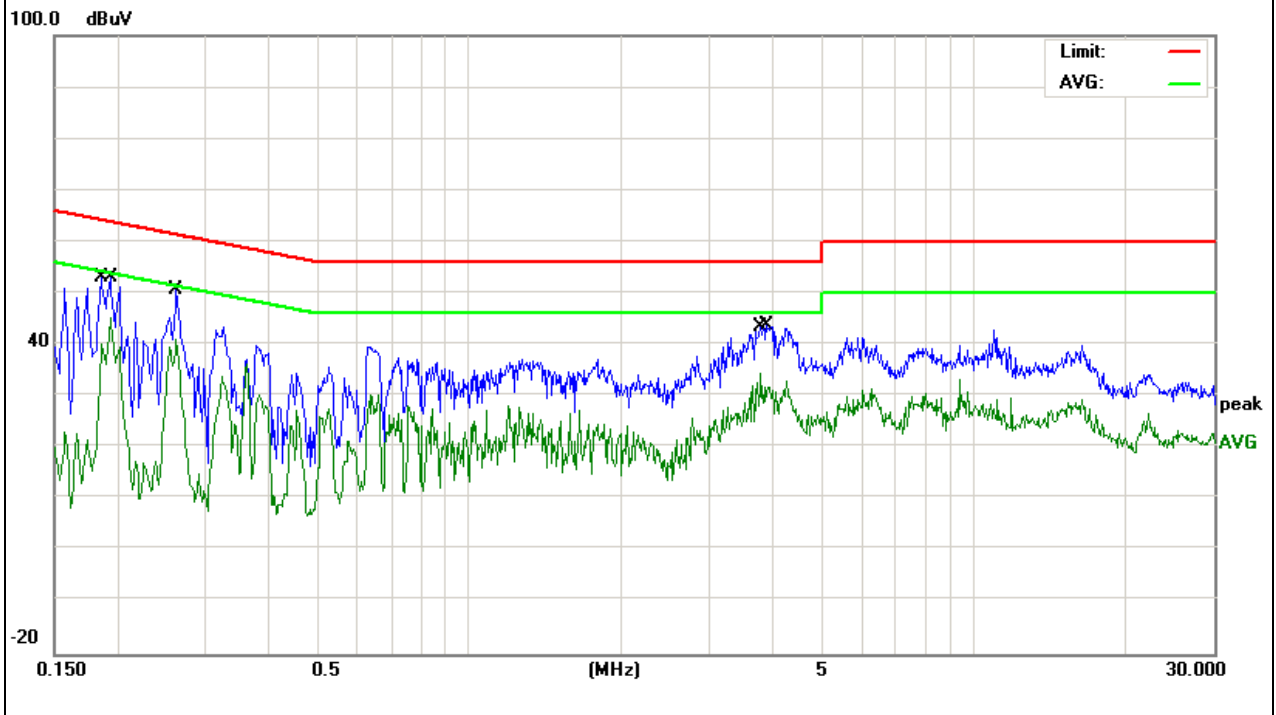


EUT :	Non-Wifi Touch Screen	Model Name. :	FT10TM
Temperature :	26 °C	Relative Humidity :	54%
Pressure :	1010hPa	Test Date :	2014-9-5
Test Mode :	VGA 1920*1200,60Hz	Phase :	N
Test Voltage :	DC 12V from adapter AC 120V/60Hz		

Freq. (MHz)	Reading (dBuV)	Factor (dBuV)	Measurement (dBuV)	Limit (dBuV)	Over (dB)	Detector
0.186	42.7	10.39	53.09	64.21	-11.12	QP
0.194	34.83	10.41	45.24	53.86	-8.62	AVG
0.262	40.27	10.43	50.7	61.36	-10.66	QP
0.262	30.61	10.43	41.04	51.36	-10.32	AVG
3.79	23.9	10.66	34.56	46	-11.44	AVG
3.89	33.14	10.66	43.8	56	-12.2	QP

Remark:

1. All readings are Quasi-Peak and Average values.
2. Factor = Insertion Loss + Cable Loss.
3. N/A means All Data have pass Limit



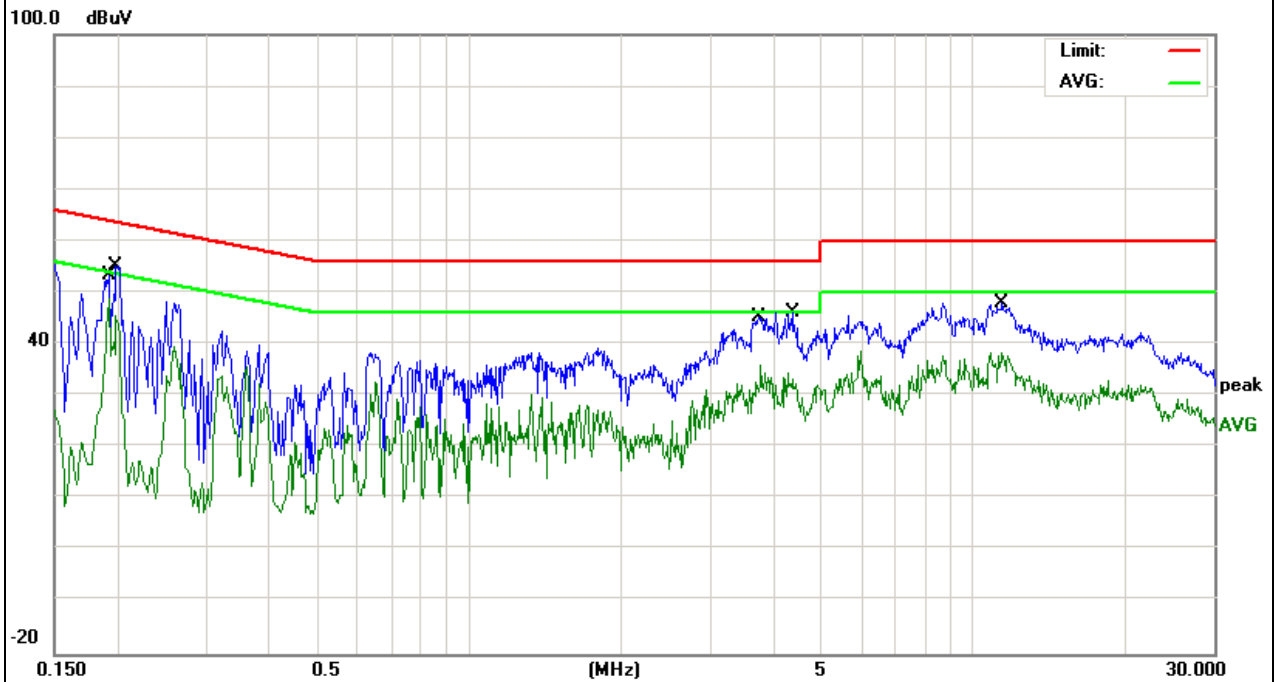


EUT :	Non-Wifi Touch Screen	Model Name. :	FT10TM
Temperature :	26 °C	Relative Humidity :	54%
Pressure :	1010hPa	Test Date :	2014-9-5
Test Mode :	HDMI 720P	Phase :	L
Test Voltage :	DC 12V from adapter AC 120V/60Hz		

Freq. (MHz)	Reading (dBuV)	Factor (dBuV)	Measurement (dBuV)	Limit (dBuV)	Over (dB)	Detector
0.1922	38.44	10.44	48.88	53.94	-5.06	AVG
0.1985	44.76	10.44	55.2	63.67	-8.47	QP
3.786	25.44	10.63	36.07	46	-9.93	AVG
4.3778	35.52	10.64	46.16	56	-9.84	QP
11.39	37.41	10.69	48.1	60	-11.9	QP
11.39	27.78	10.69	38.47	50	-11.53	AVG

Remark:

1. All readings are Quasi-Peak and Average values.
2. Factor = Insertion Loss + Cable Loss.
3. N/A means All Data have pass Limit



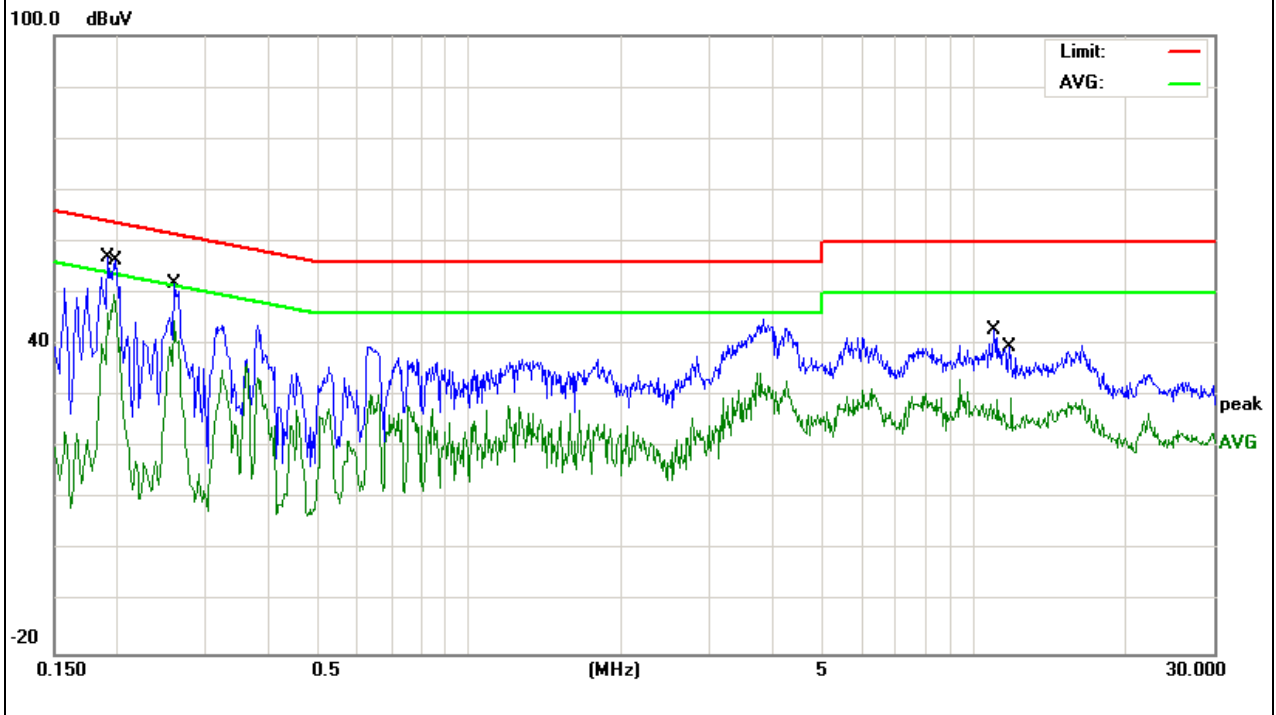


EUT :	Non-Wifi Touch Screen	Model Name. :	FT10TM
Temperature :	26 °C	Relative Humidity :	54%
Pressure :	1010hPa	Test Date :	2014-9-5
Test Mode :	HDMI 720P	Phase :	N
Test Voltage :	DC 12V from adapter AC 120V/60Hz		

Freq. (MHz)	Reading (dBuV)	Factor (dBuV)	Measurement (dBuV)	Limit (dBuV)	Over (dB)	Detector
0.1912	46.59	10.41	57	63.98	-6.98	QP
0.1965	39.22	10.42	49.64	53.75	-4.11	AVG
0.2586	41.47	10.43	51.9	61.47	-9.57	QP
0.2586	34.17	10.43	44.6	51.47	-6.87	AVG
10.99	32.03	10.7	42.73	60	-17.27	QP
11.88	18.98	10.71	29.69	50	-20.31	AVG

Remark:

1. All readings are Quasi-Peak and Average values.
2. Factor = Insertion Loss + Cable Loss.
3. N/A means All Data have pass Limit



3.2 RADIATED EMISSION MEASUREMENT

3.2.1 LIMITS OF RADIATED EMISSION MEASUREMENT

FREQUENCY (MHz)	Class A (at 10m)	Class B (at 3m)
	dBuV/m	dBuV/m
30 ~ 88	39.0	40.0
88 ~ 216	43.5	43.5
216 ~ 960	46.5	46.0
Above 960	49.5	54.0

Notes:

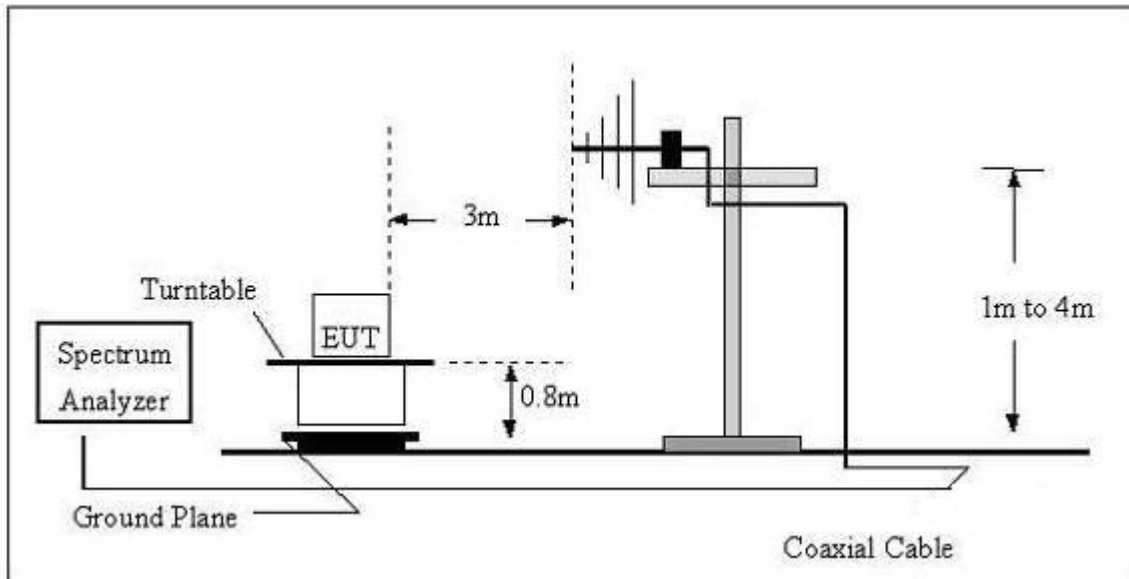
- (1) The limit for radiated test was performed according to as following:
FCC PART 15B /ICES-003.
- (2) The tighter limit applies at the band edges.
- (3) Emission level (dBuV/m)=20log Emission level (uV/m).

3.2.2 TEST PROCEDURE

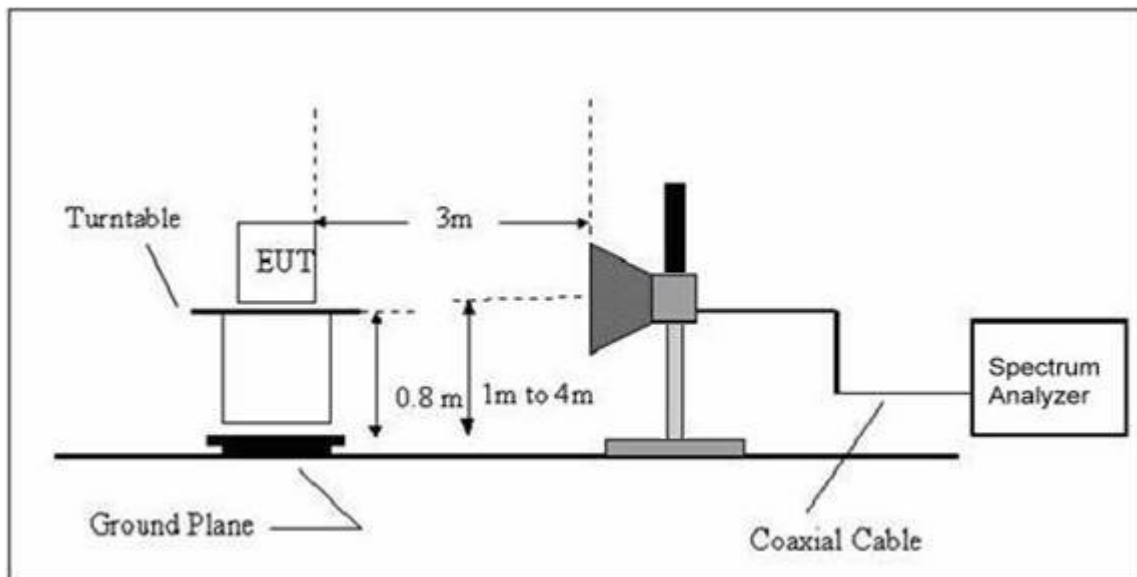
- a. The measuring distance of at 10 m shall be used for measurements at frequency up to 1GHz. For frequencies above 1GHz, any suitable measuring distance may be used.
- b. The EUT was placed on the top of a rotating table 0.8 meters above the ground at a 10 meter open area test site. The table was rotated 360 degrees to determine the position of the highest radiation.
- c. The height of the equipment or of the substitution antenna shall be 0.8 m; the height of the test antenna shall vary between 1 m to 4 m. Both horizontal and vertical polarizations of the antenna are set to make the measurement.
- d. The initial step in collecting conducted emission data is a spectrum analyzer peak detector mode pre-scanning the measurement frequency range. Significant peaks are then marked and then Quasi Peak detector mode re-measured, above 1G Average detector mode will be instead.
- e. If the Peak Mode measured value compliance with and lower than Quasi Peak Mode Limit, the EUT shall be deemed to meet QP(AV) Limits and then no additional QP Mode measurement performed.
- f. For the actual test configuration, please refer to the related Item –EUT Test Photos.

3.2.3 TEST SETUP

(A) Radiated Emission Test Set-Up Frequency Below 1 GHz



(B) Radiated Emission Test Set-Up Frequency Above 1GHz



3.2.4 EUT OPERATING CONDITIONS

The EUT tested system was configured as the statements of 2.3 Unless otherwise a special operating condition is specified in the follows during the testing.



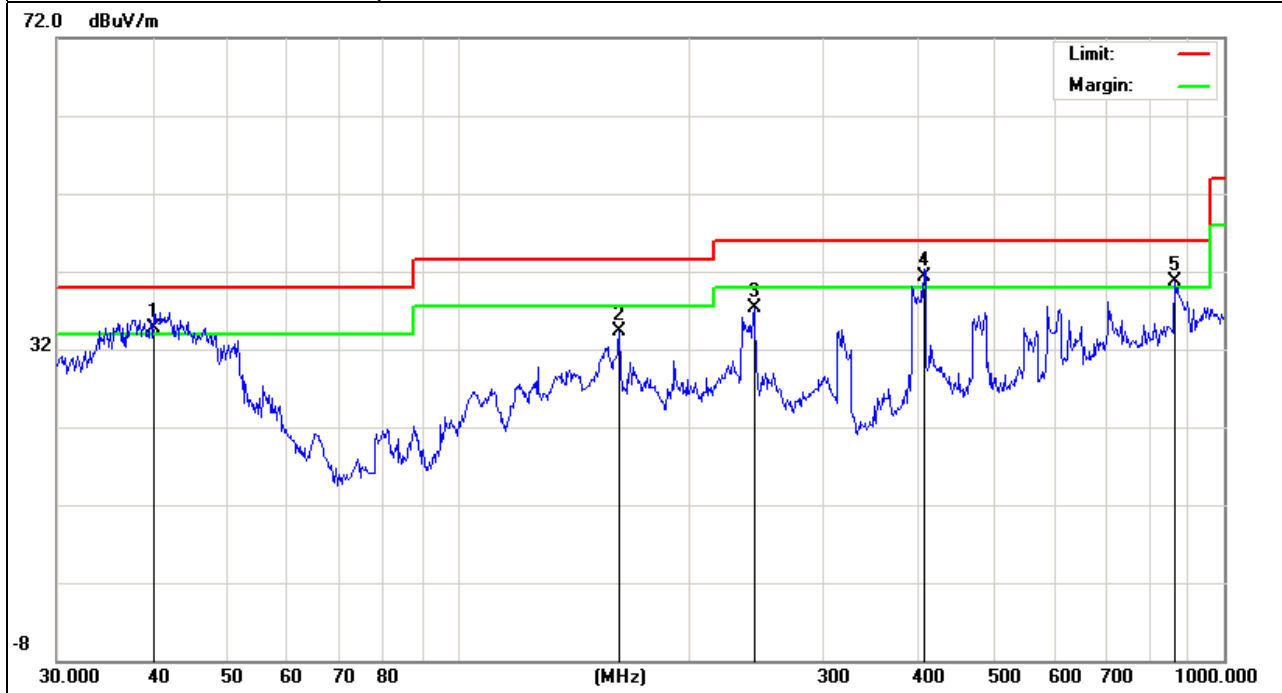
3.2.5 TEST RESULTS

EUT :	Non-Wifi Touch Screen	Model Name :	FT10TM
Temperature :	24 °C	Relative Humidity :	54%
Pressure :	1010 hPa	Test Date :	2014-9-5
Test Mode :	VGA 1920*1200,60Hz	Polarization :	Horizontal
Test Power :	DC 12V from adapter AC 120V/60Hz		

Freq. (MHz)	Reading (dBuV)	Factor (dBuV)	Measurement (dBuV)	Limit (dBuV)	Over (dB)	Detector
40.1347	21.48	13.32	34.8	40	-5.2	QP
162.6106	23.44	10.9	34.34	43.5	-9.16	QP
244.2321	24.71	12.51	37.22	46	-8.78	QP
406.088	22.72	18.54	41.26	46	-4.74	QP
863.0561	13.24	27.43	40.67	46	-5.33	QP

Remark:

1. All readings are Quasi-Peak and Average values.
2. Factor = Antenna Factor + Cable Loss.
3. N/A means All Data have pass Limit



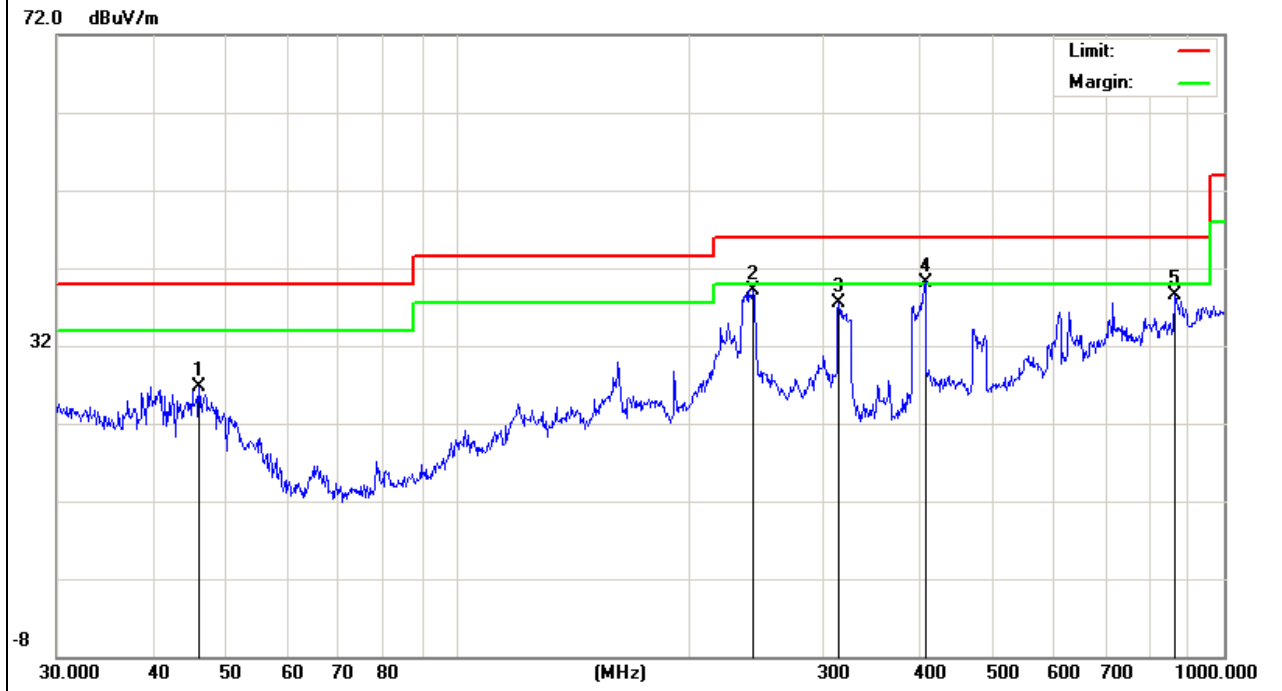


EUT :	Non-Wifi Touch Screen	Model Name :	FT10TM
Temperature :	24 °C	Relative Humidity :	54%
Pressure :	1010 hPa	Test Date :	2014-9-5
Test Mode :	VGA 1920*1200,60Hz	Polarization :	Vertical
Test Power :	DC 12V from adapter AC 120V/60Hz		

Freq. (MHz)	Reading (dBuV)	Factor (dBuV)	Measurement (dBuV)	Limit (dBuV)	Over (dB)	Detector
46.0162	16.69	10.06	26.75	40	-13.25	QP
243.3772	26.72	12.34	39.06	46	-6.94	QP
314.3765	22.27	15.21	37.48	46	-8.52	QP
407.5145	21.58	18.62	40.2	46	-5.8	QP
863.0561	11.12	27.43	38.55	46	-7.45	QP

Remark:

1. All readings are Quasi-Peak and Average values.
2. Factor = Antenna Factor + Cable Loss.
3. N/A means All Data have pass Limit



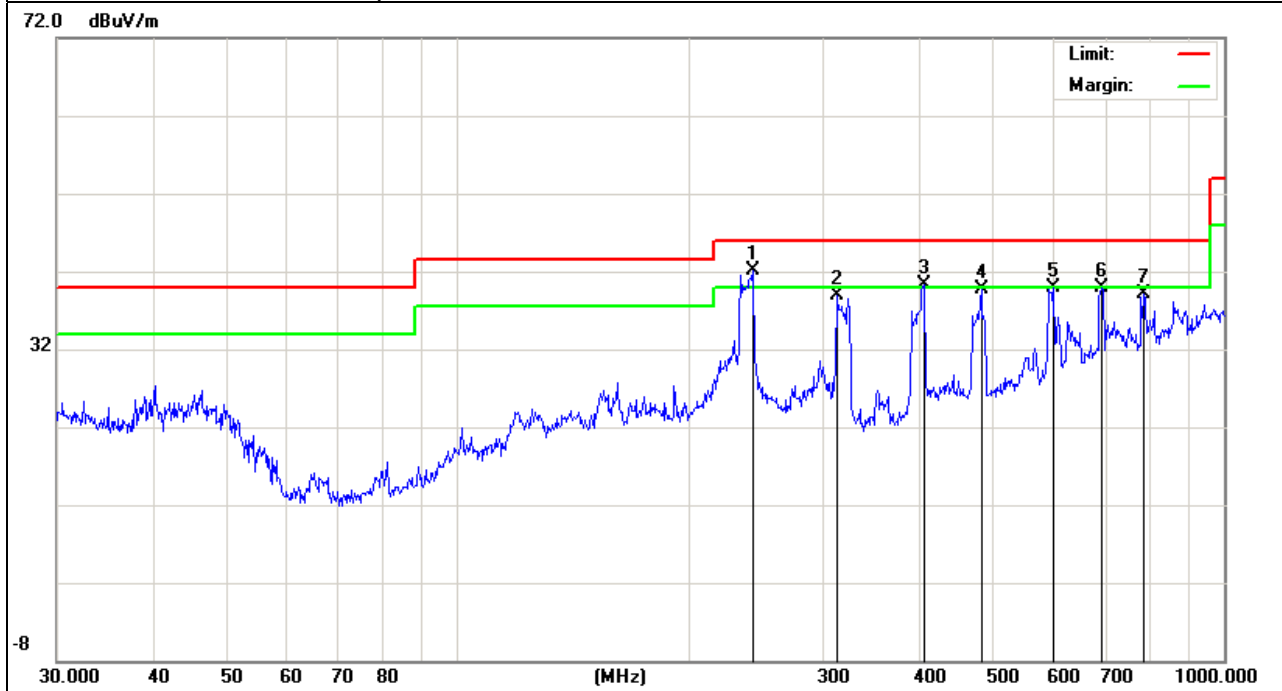


EUT :	Non-Wifi Touch Screen	Model Name :	FT10TM
Temperature :	24 °C	Relative Humidity :	54%
Pressure :	1010 hPa	Test Date :	2014-9-5
Test Mode :	HDMI 720P	Polarization :	Horizontal
Test Power :	DC 12V from adapter AC 120V/60Hz		

Freq. (MHz)	Reading (dBuV)	Factor (dBuV)	Measurement (dBuV)	Limit (dBuV)	Over (dB)	Detector
242.5253	29.85	12.16	42.01	46	-3.99	QP
312.1794	23.78	15.13	38.91	46	-7.09	QP
406.088	21.8	18.54	40.34	46	-5.66	QP
482.2155	19.59	20.11	39.7	46	-6.3	QP
599.3212	17.12	22.78	39.9	46	-6.1	QP
691.9867	15.81	24.09	39.9	46	-6.1	QP

Remark:

1. All readings are Quasi-Peak and Average values.
2. Factor = Antenna Factor + Cable Loss.
3. N/A means All Data have pass Limit



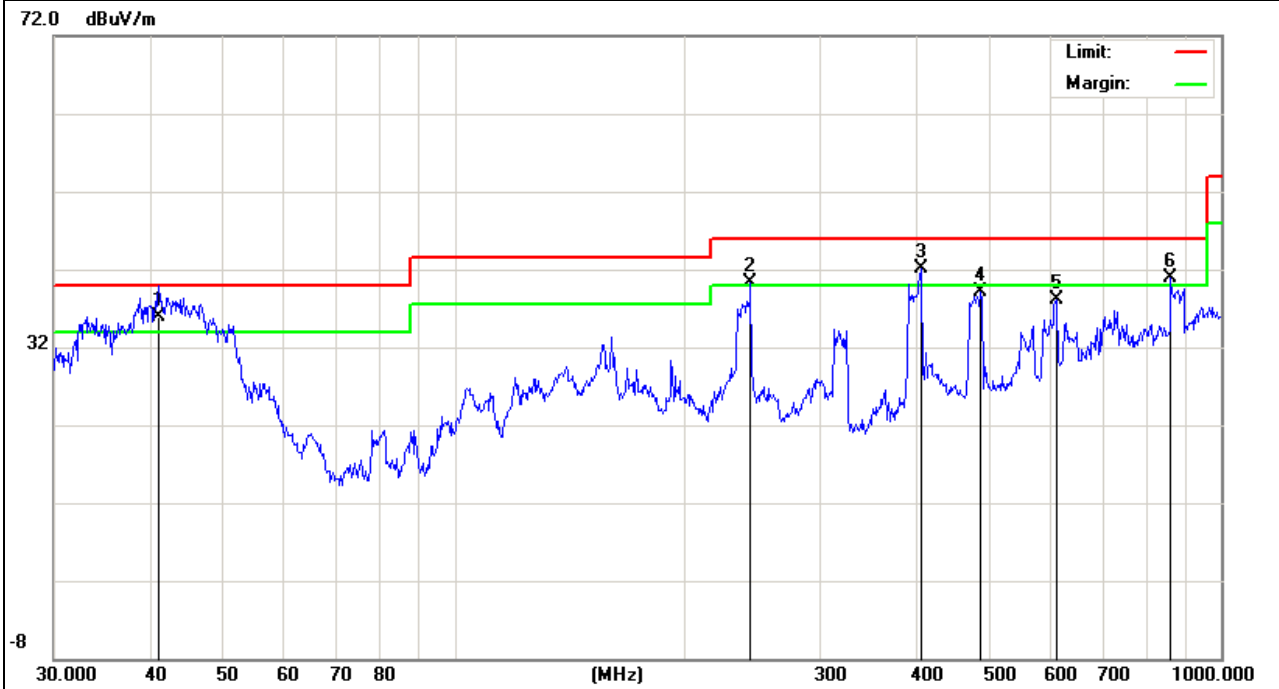


EUT :	Non-Wifi Touch Screen	Model Name :	FT10TM
Temperature :	24 °C	Relative Humidity :	54%
Pressure :	1010 hPa	Test Date :	2014-9-5
Test Mode :	HDMI 720P	Polarization :	Vertical
Test Power :	DC 12V from adapter AC 120V/60Hz		

Freq. (MHz)	Reading (dBuV)	Factor (dBuV)	Measurement (dBuV)	Limit (dBuV)	Over (dB)	Detector
41.1319	23.17	12.73	35.9	40	-4.1	QP
243.3772	28.06	12.34	40.4	46	-5.6	QP
406.088	23.51	18.54	42.05	46	-3.95	QP
485.6093	18.77	20.24	39.01	46	-6.99	QP
609.9215	14.72	23.36	38.08	46	-7.92	QP
860.0352	13.39	27.46	40.85	46	-5.15	QP

Remark:

1. All readings are Quasi-Peak and Average values.
2. Factor = Antenna Factor + Cable Loss.
3. N/A means All Data have pass Limit





3.2.6 TEST RESULTS(Above 1GHz)

EUT :	Non-Wifi Touch Screen	Model Name :	FT10TM
Temperature :	24 °C	Relative Humidity :	54%
Pressure :	1010 hPa	Test Date :	2014-9-5
Test Mode :	VGA 1920*1200,60Hz		
Test Power :	DC 12V from adapter AC 120V/60Hz		

Freq.	Reading	Limit	Margin	State
(MHz)	(dBuV/m)	(dBuV/m)	(dB)	P/F
--	--	50	--	P
--	--	50	--	P

NOTE:

The amplitude of spurious emissions Test perform up to 3GHz which are attenuated by more than 20dB below the permissible value has no need to be reported.

Distance extrapolation factor = $40 \log (\text{specific distance}/\text{test distance})$ (dB);

Limit line = specific limits(dBuv) + distance extrapolation factor.

4. EUT TEST PHOTO

Radiated Measurement Photos



Conducted Measurement Photos

